



US00D807340S

(12) **United States Design Patent**  
**Foster et al.**

(10) **Patent No.:** **US D807,340 S**  
(45) **Date of Patent:** **\*\* Jan. 9, 2018**

(54) **KIOSK**

(71) Applicant: **Home Depot Product Authority, LLC**,  
Atlanta, GA (US)

(72) Inventors: **Julie Foster**, Atlanta, GA (US); **Toni Roeller**, Atlanta, GA (US); **Michael Todd Steinemann**, Atlanta, GA (US); **Alex Ragland**, Atlanta, GA (US); **Keith Boyd**, Atlanta, GA (US)

(73) Assignee: **Home Depot Product Authority, LLC**,  
Atlanta, GA (US)

(\*\*) Term: **14 Years**

(21) Appl. No.: **29/471,053**

(22) Filed: **Oct. 28, 2013**

(51) **LOC (11) Cl.** ..... **14-02**

(52) **U.S. Cl.**  
USPC ..... **D14/307**

(58) **Field of Classification Search**

USPC ..... D14/302, 303, 304, 305, 306, 307, 900,  
D14/902; D13/163, 162; 187/395, 396;  
361/679.02, 679.21; D20/10; D21/332,  
D21/325; D10/108

CPC ..... G06Q 20/18; G06Q 20/10; G06Q 20/123;  
G06Q 20/20; G06Q 30/02; G06Q 30/06;  
A47F 9/047

See application file for complete search history.

(56) **References Cited**

**U.S. PATENT DOCUMENTS**

D425,875 S \* 5/2000 Wilson ..... D14/307  
D436,630 S 1/2001 Gonsiorowski et al. .... D20/10  
D493,452 S \* 7/2004 Devane et al. .... D14/307  
D502,175 S 2/2005 Penke et al. .... D14/302  
D518,480 S 4/2006 Zheng et al. .... D14/307  
D530,113 S 10/2006 Cravens et al. .... D6/397  
D563,342 S 3/2008 Takami et al. .... D14/129

D565,044 S \* 3/2008 Witts et al. .... D14/307  
D585,943 S 2/2009 Pymm et al. .... D20/10  
D591,078 S \* 4/2009 Singler et al. .... D6/432

(Continued)

*Primary Examiner* — Austin Murphy

(74) *Attorney, Agent, or Firm* — Greenberg Traurig, LLP

(57) **CLAIM**

The ornamental design for a kiosk, as shown and described.

**DESCRIPTION**

FIG. 1 is a front perspective view of a first embodiment of a kiosk;

FIG. 2 is a front view thereof;

FIG. 3 is a back view thereof;

FIG. 4 is a left side view thereof;

FIG. 5 is a right side view thereof;

FIG. 6 is a top plan view thereof, and the subject matter that is under the unclaimed crossbars shown in broken lines is part of the claimed design;

FIG. 7 is a bottom plan view thereof;

FIG. 8 is a front perspective view of a second embodiment of a kiosk in which certain features claimed in the first embodiment are shown in dashed lines and thus not claimed;

FIG. 9 is a front view thereof;

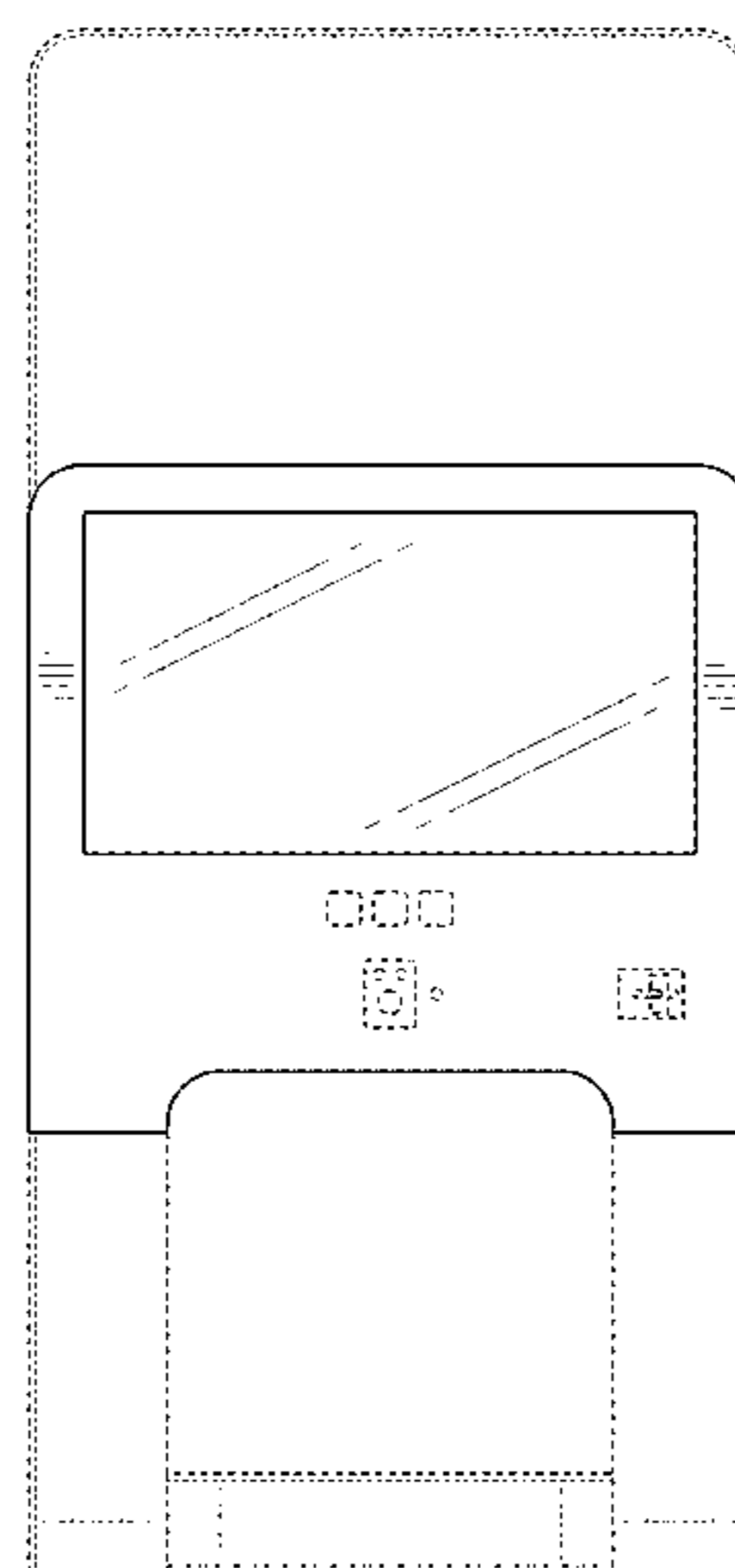
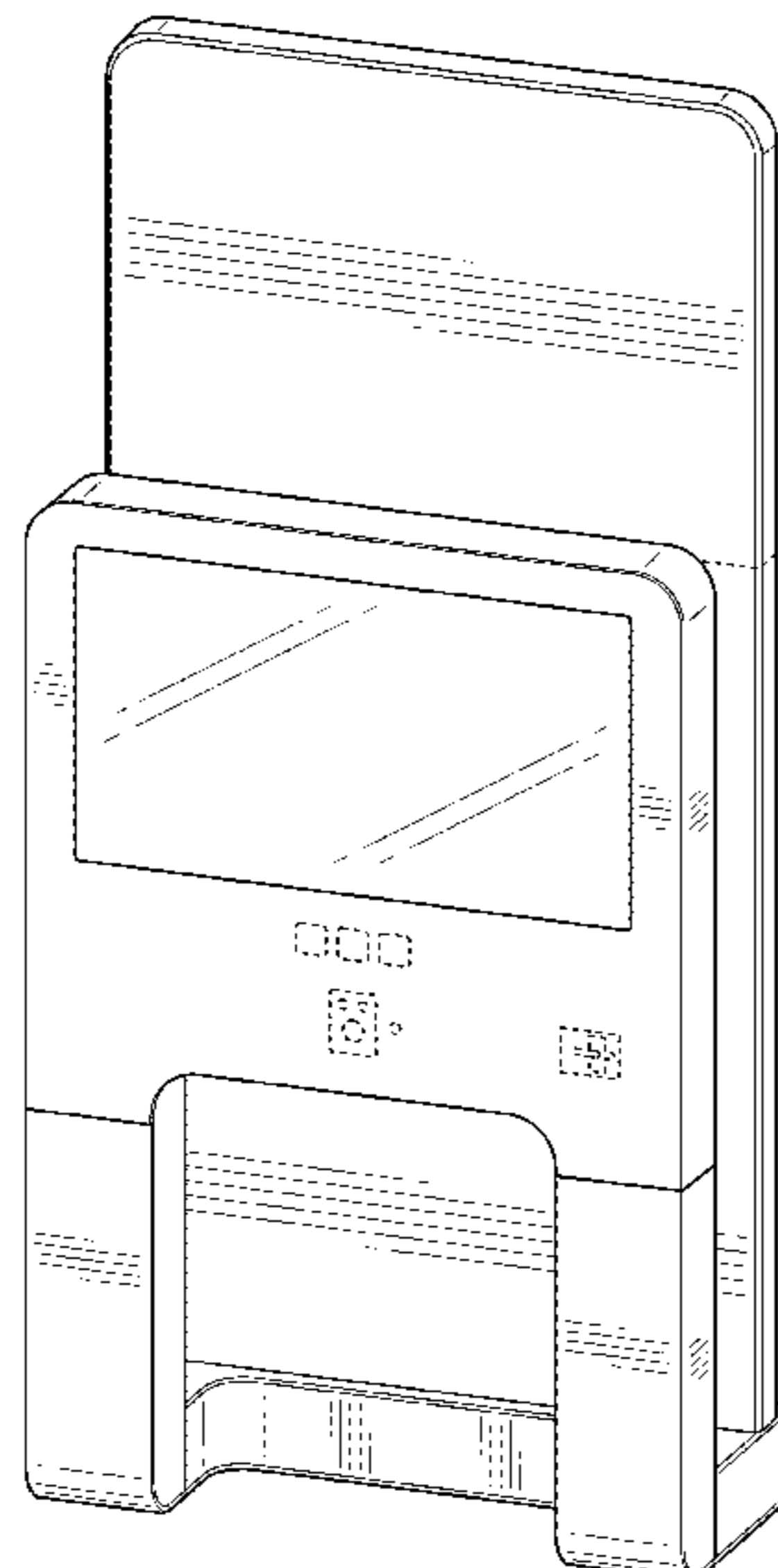
FIG. 10 is a left side view thereof;

FIG. 11 is a right side view thereof; and,

FIG. 12 is a top plan view thereof.

Any one or more of the features shown in dashed lines in any of the disclosed embodiments may be included (alone or in any combination) in solid lines in another embodiment or in other embodiments in a continuing application. The shade lines in the figures show contour and not surface ornamentation. All other surface(s) or portion(s) of the kiosk, such as the bottom of the second embodiment, not shown in the figures or otherwise described in the specification form no part of the claimed design.

**1 Claim, 9 Drawing Sheets**



(56)

References Cited

U.S. PATENT DOCUMENTS

D601,145 S 9/2009 Chiu et al. .... D14/371  
 D626,353 S 11/2010 Magruder ..... D6/396  
 D637,594 S \* 5/2011 Carpenter et al. .... D14/307  
 D639,800 S 6/2011 Magruder et al. .... D14/307  
 D646,269 S 10/2011 Crick, Jr. et al. .... D14/307  
 8,116,081 B2 2/2012 Crick, Jr. .... 361/724  
 D669,464 S 10/2012 Birgeoglu ..... D14/307  
 8,276,735 B2 10/2012 Georgens ..... 194/350  
 D671,535 S 11/2012 Terashima et al. .... D14/307  
 8,359,776 B2 1/2013 Toles et al. .... 40/661  
 D691,203 S \* 10/2013 d'Amore ..... D20/1  
 D696,658 S \* 12/2013 Winston ..... D14/307  
 D703,670 S \* 4/2014 Rotsaert ..... D14/385  
 D705,213 S \* 5/2014 Smith et al. .... D14/307  
 D705,445 S \* 5/2014 Bolos ..... D25/16  
 D713,658 S \* 9/2014 Tio ..... D6/675  
 D717,785 S \* 11/2014 Winston et al. .... D14/307  
 D723,026 S \* 2/2015 Birgeoglu ..... D14/307

D725,947 S \* 4/2015 Tio ..... D6/675.1  
 D726,706 S \* 4/2015 Kraft et al. .... D14/307  
 D728,557 S \* 5/2015 Soares ..... D14/307  
 D730,899 S \* 6/2015 Daniel ..... D14/385  
 D732,015 S \* 6/2015 Alekhin ..... D14/307  
 D732,521 S \* 6/2015 Chadbourne ..... D14/307  
 D734,074 S \* 7/2015 Jouin ..... D6/672  
 D734,314 S \* 7/2015 Swaine ..... D14/307  
 D734,316 S \* 7/2015 Alvarez ..... D14/307  
 D734,965 S \* 7/2015 Tio ..... D6/675  
 D742,870 S \* 11/2015 Berini ..... D14/307  
 D751,638 S \* 3/2016 Chung ..... D18/53  
 D752,032 S \* 3/2016 Taylor ..... D14/307  
 D762,635 S \* 8/2016 Szeredi ..... D14/307  
 D763,247 S \* 8/2016 Yepez ..... D14/307  
 2002/0124271 A1 \* 9/2002 Herrmann ..... G06Q 30/02  
 725/151  
 2008/0255901 A1 10/2008 Carroll et al. .... 705/7  
 2010/0204876 A1 \* 8/2010 Comeau ..... G07C 5/008  
 701/29.6  
 2011/0192681 A1 8/2011 Johnson et al. .... 196/52

\* cited by examiner

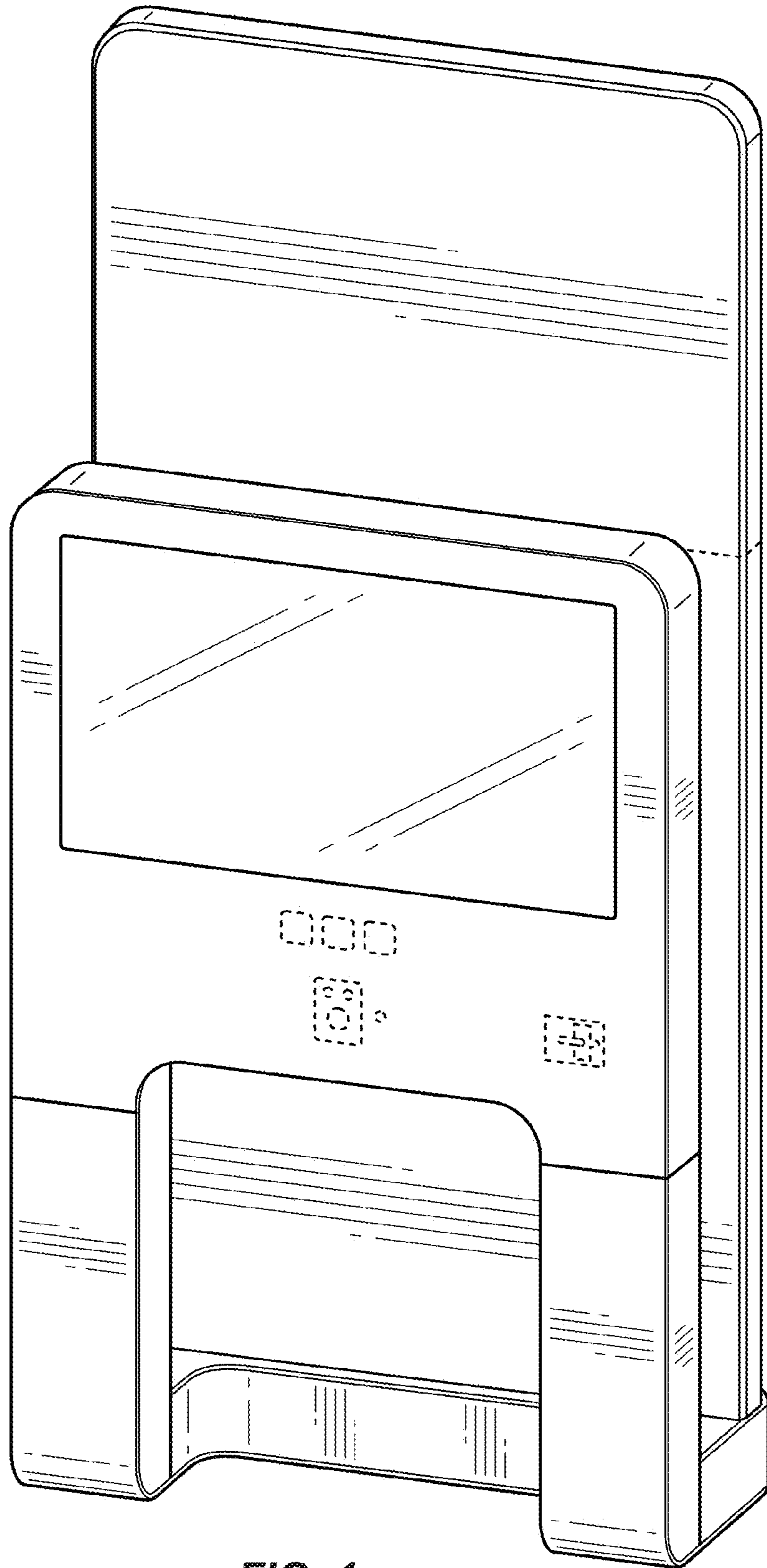
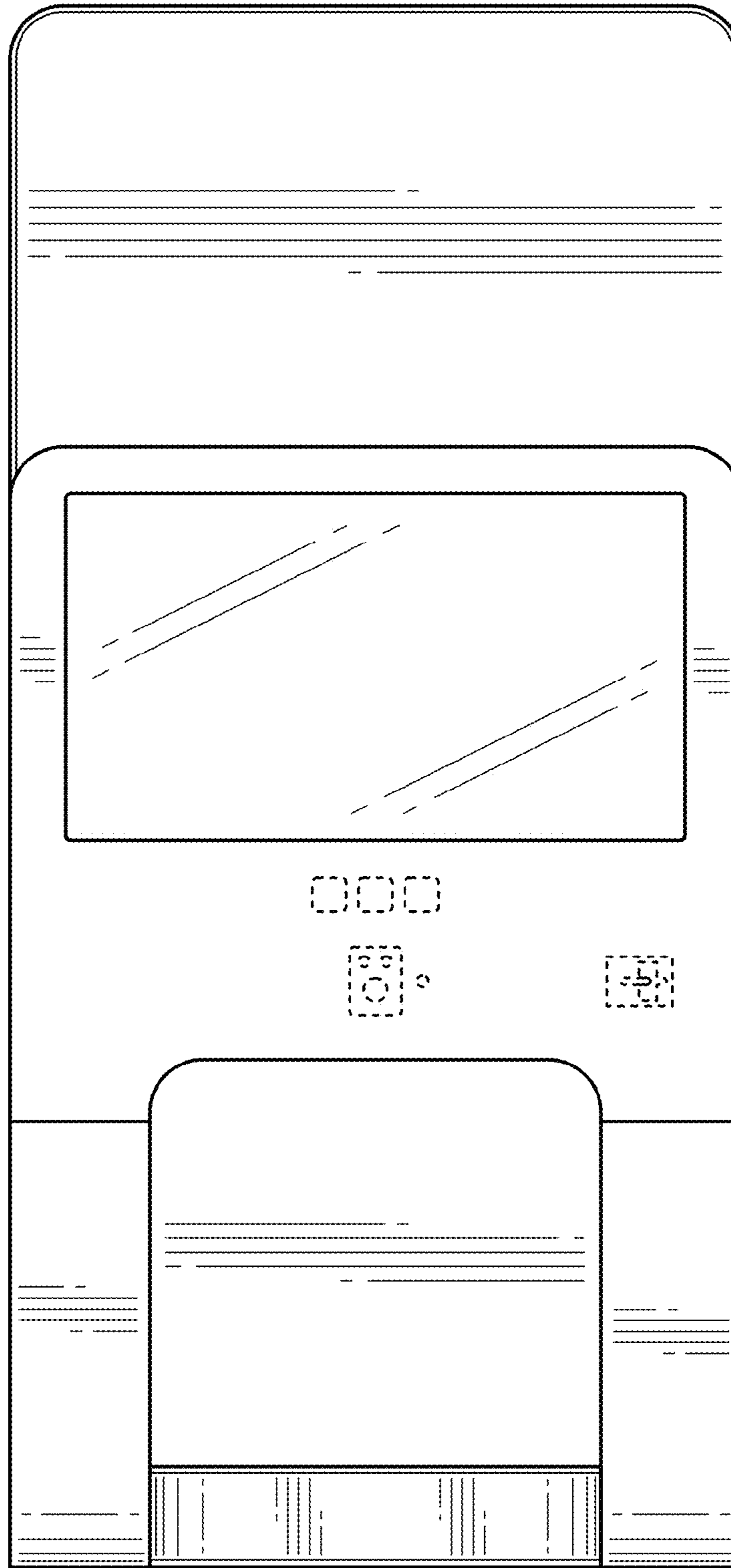
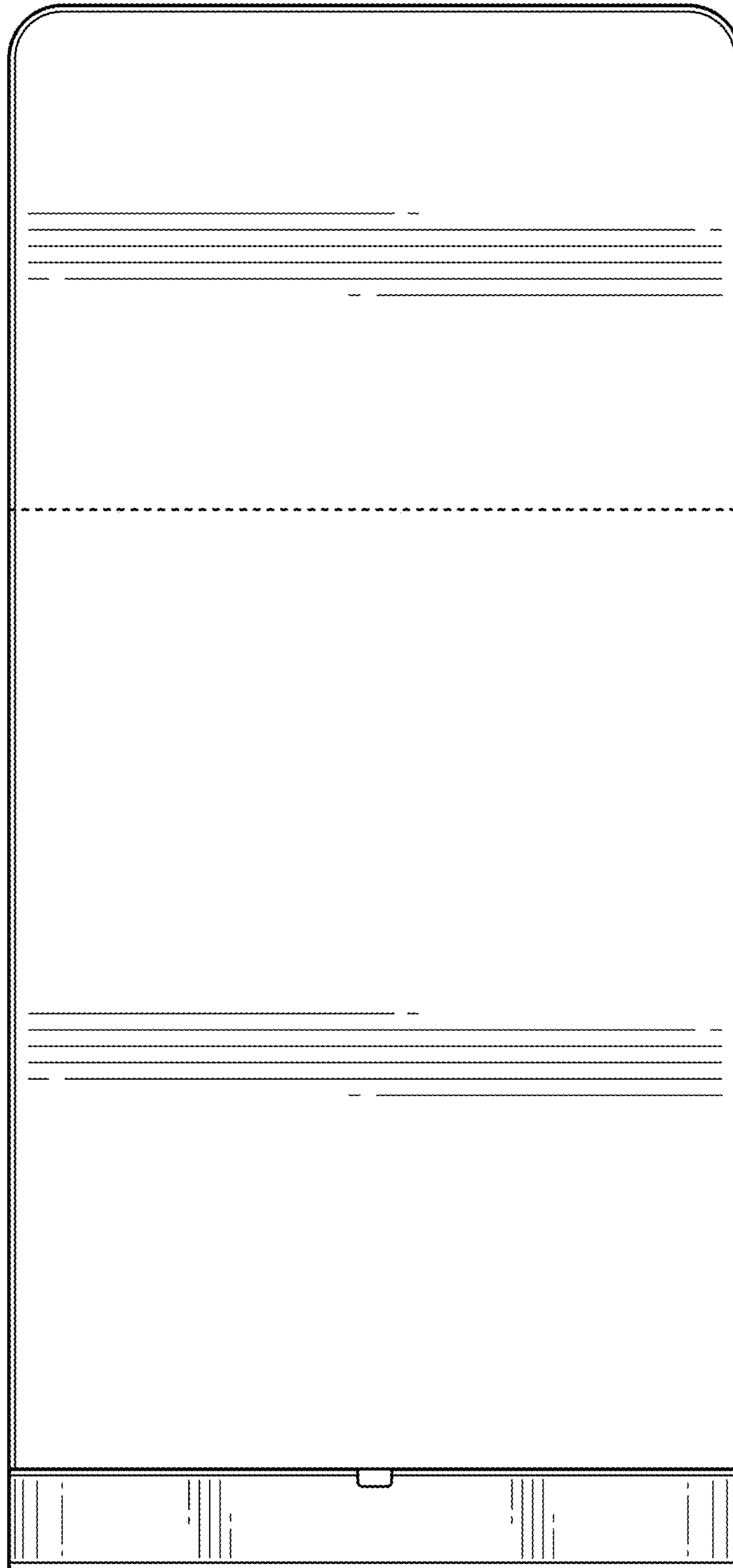


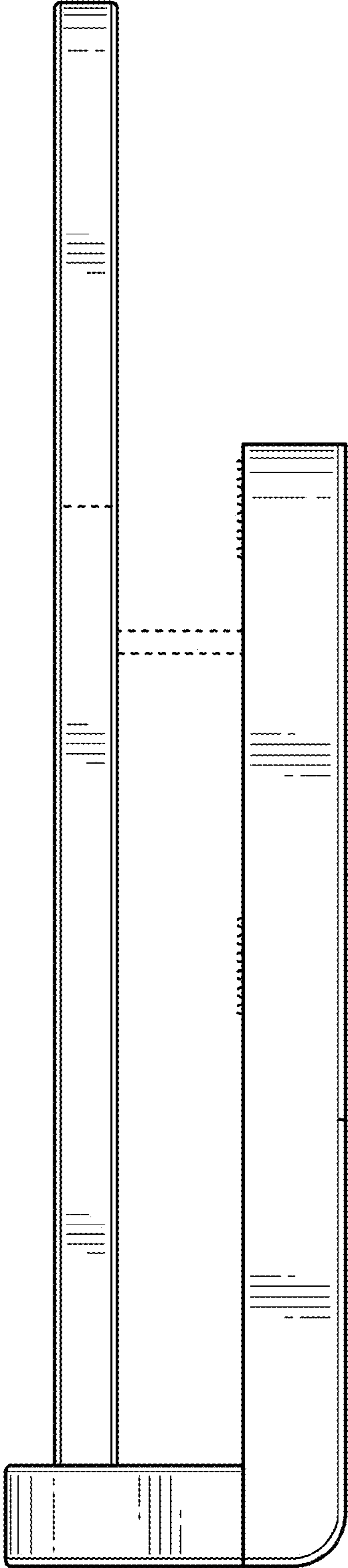
FIG. 1



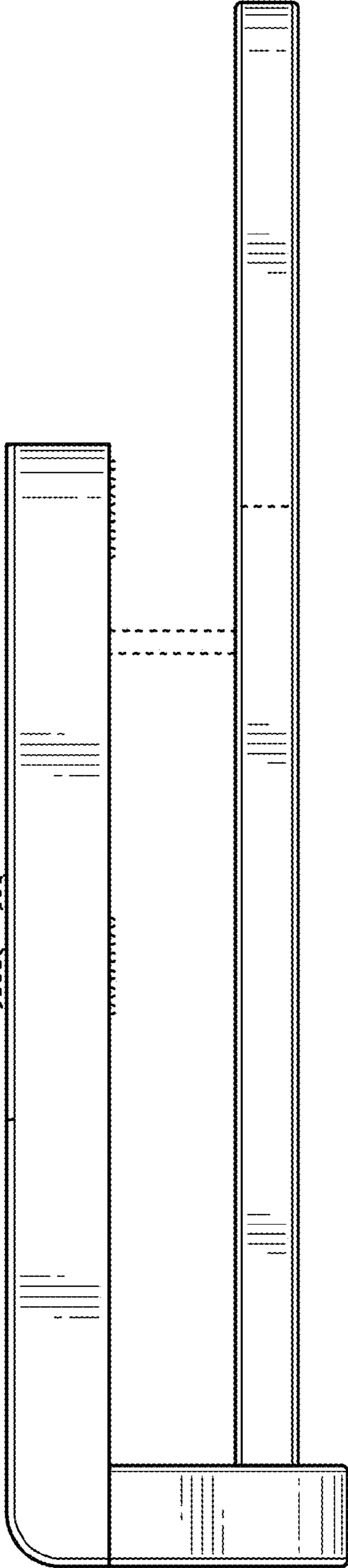
**FIG. 2**



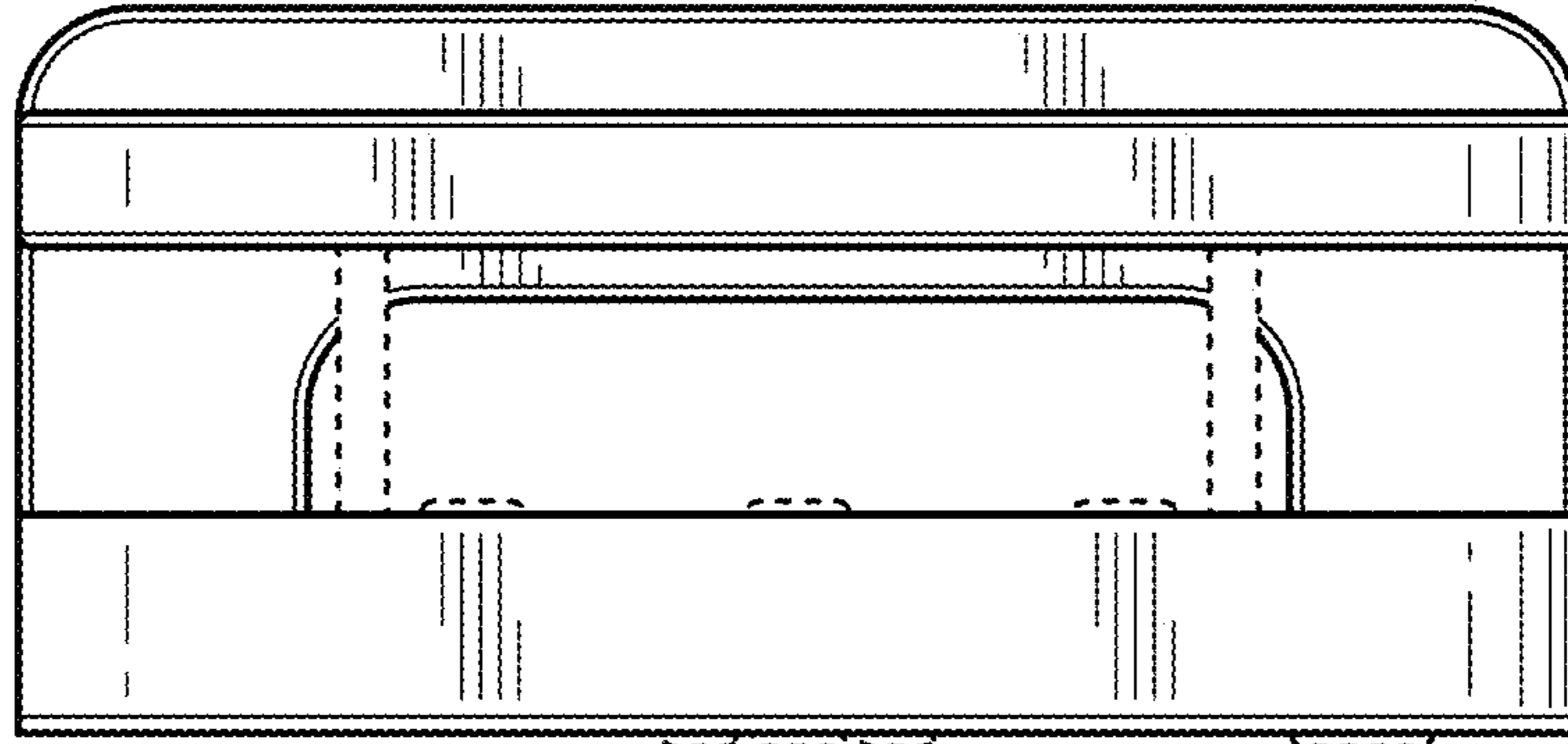
**FIG. 3**



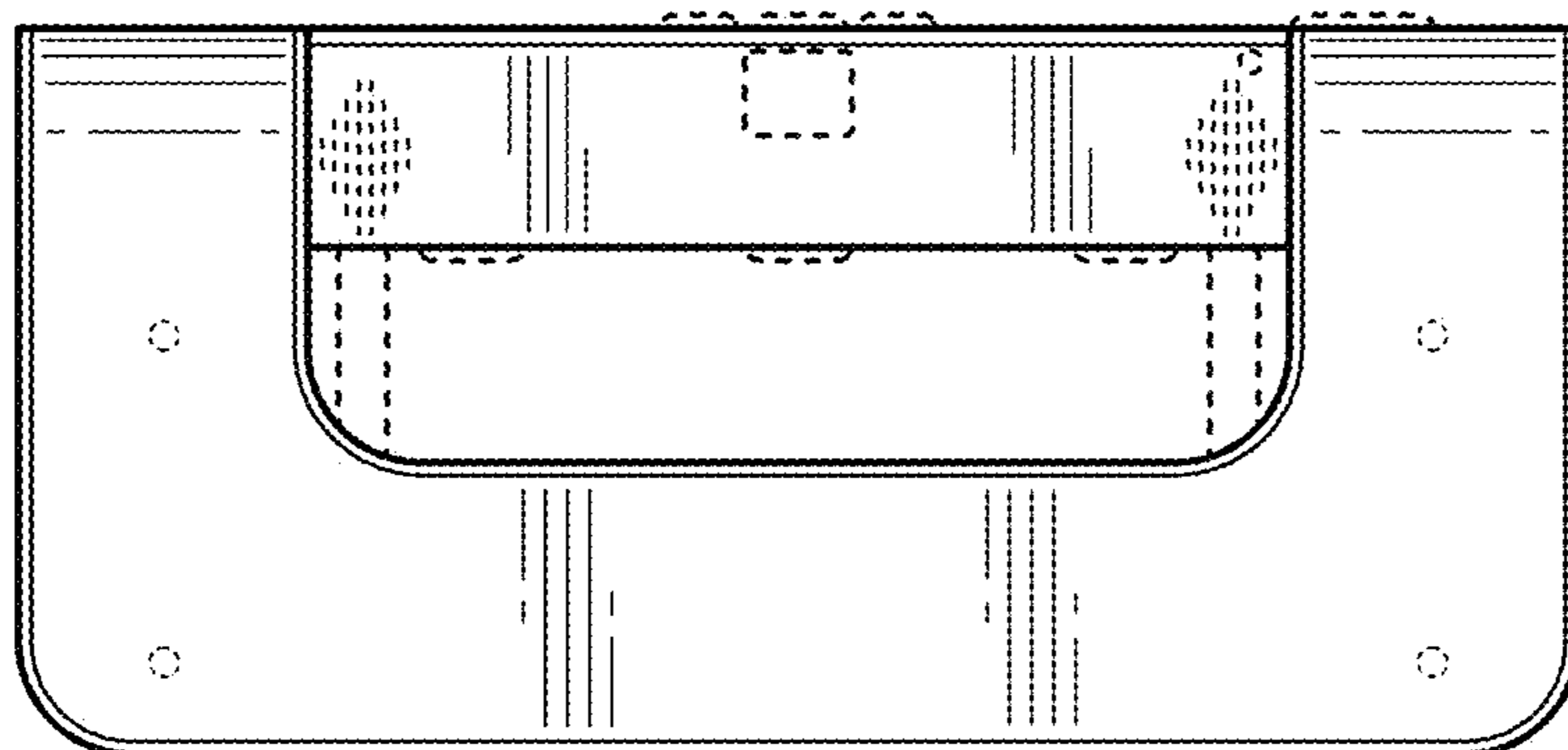
**FIG. 4**



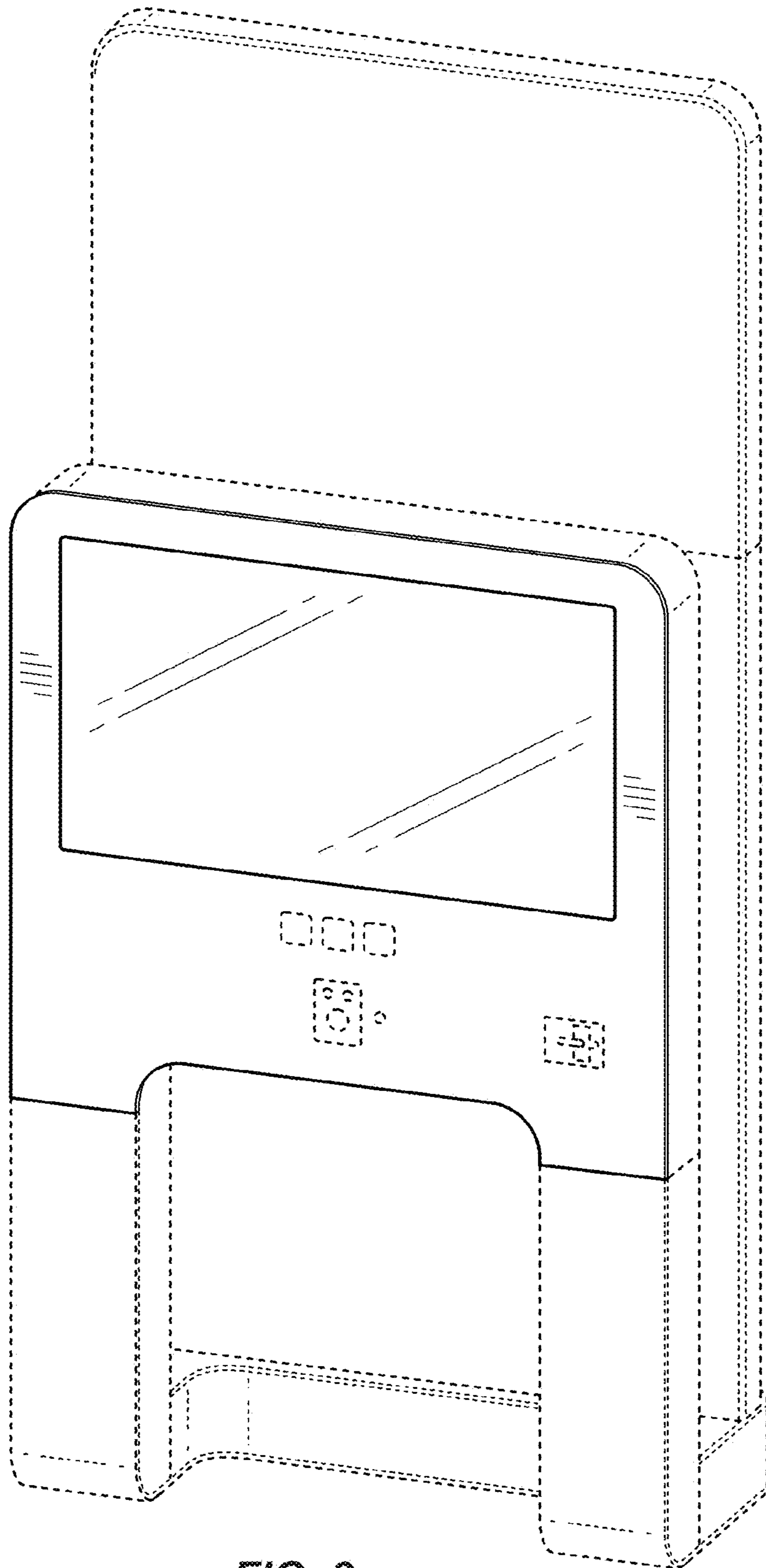
**FIG. 5**



**FIG. 6**

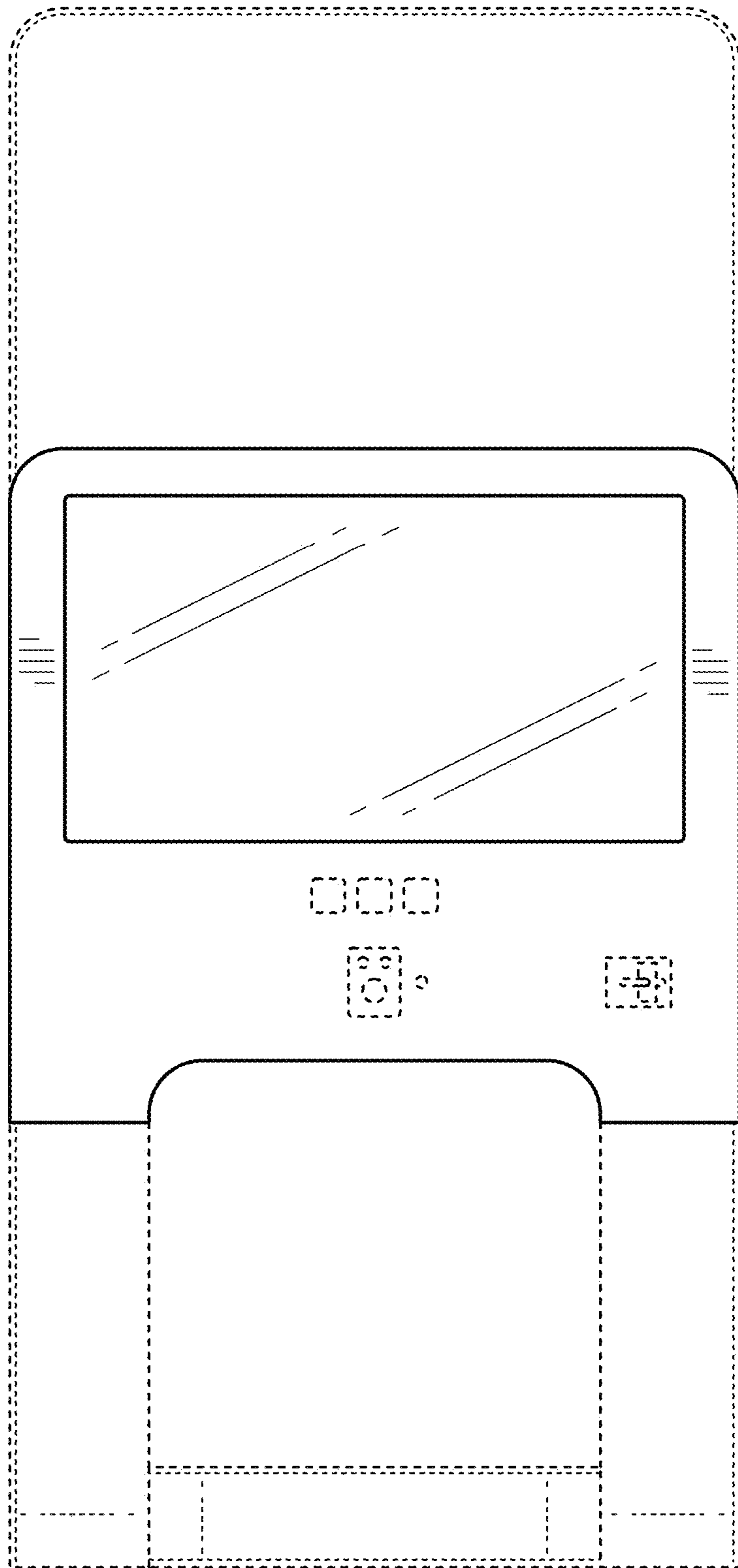


**FIG. 7**

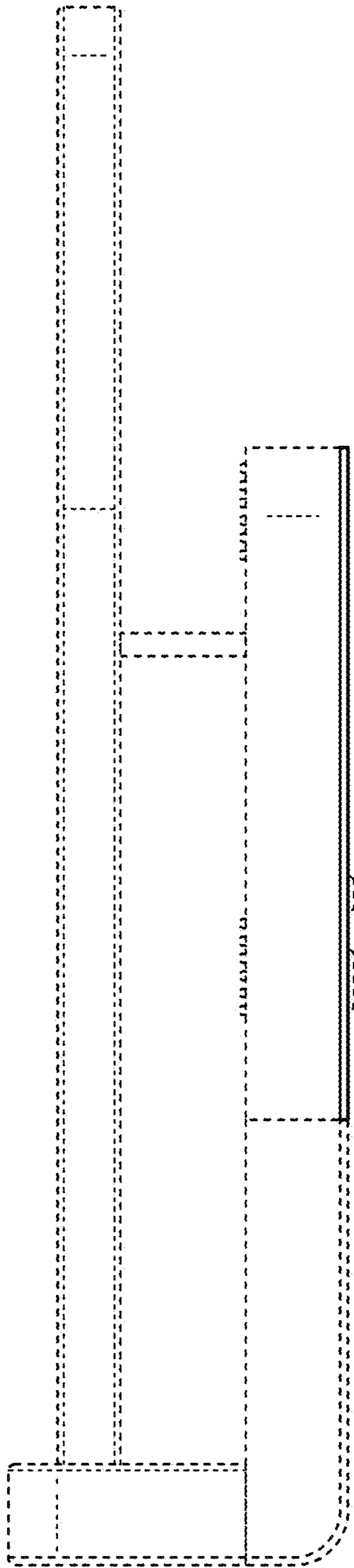


**FIG. 8**

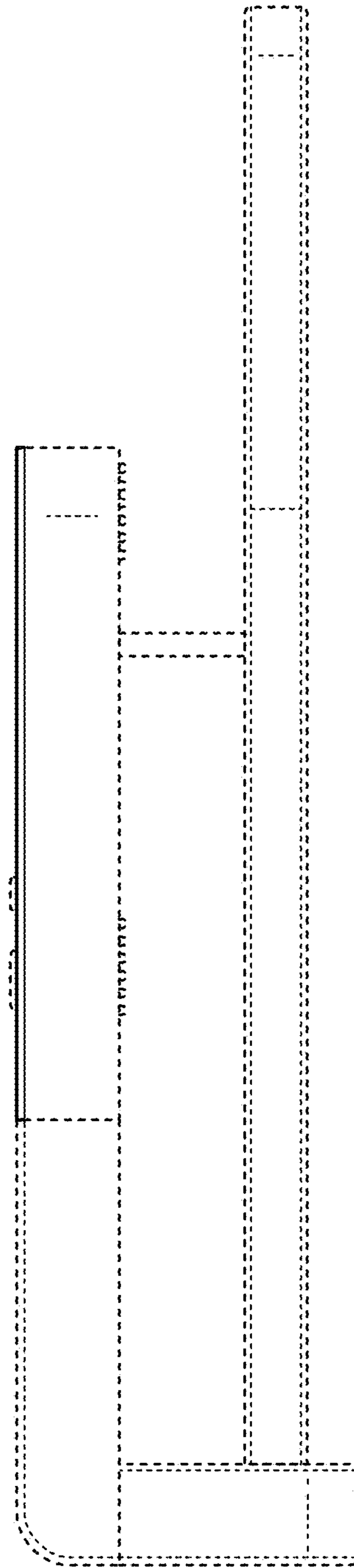




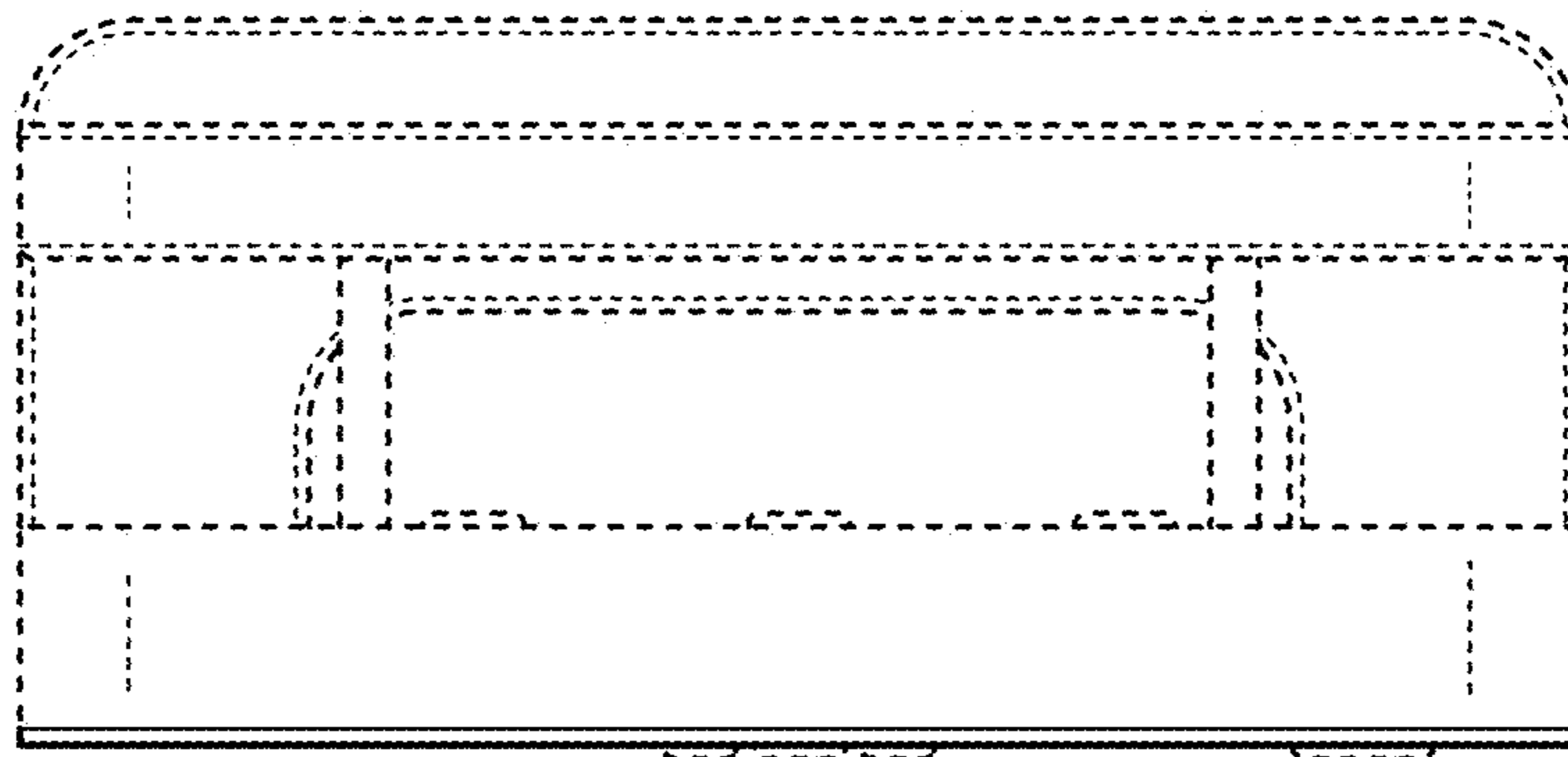
**FIG. 9**



**FIG. 10**



**FIG. 11**



**FIG. 12**