

US00D807335S

(12) **United States Design Patent**
Kitade

(10) **Patent No.:** **US D807,335 S**

(45) **Date of Patent:** **** Jan. 9, 2018**

(54) **MOBILE PHONE**

(71) Applicant: **Panasonic Corporation**, Kadoma-shi,
Osaka (JP)

(72) Inventor: **Katsuhiko Kitade**, Tokyo (JP)

(73) Assignee: **PANASONIC INTELLECTUAL
PROPERTY MANAGEMENT CO.,
LTD.**, Osaka (JP)

(**) Term: **14 Years**

(21) Appl. No.: **29/436,125**

(22) Filed: **Nov. 1, 2012**

(51) **LOC (11) Cl.** **14-03**

(52) **U.S. Cl.**
USPC **D14/248**; D14/341

(58) **Field of Classification Search**
USPC D14/138 G, 138 AD, 138 AA, 341, 346,
D14/138 R, 496, 203.1–203.7, 248, 218,
D14/191, 439; 455/575.1, 556.2, 575.3,
455/575.4; D21/517, 329, 331, 333;
D10/65, 78; 379/433.01, 433.04;
361/679.3, 679.56

See application file for complete search history.

(56) **References Cited**

U.S. PATENT DOCUMENTS

D571,757 S *	6/2008	Kesler et al.	D14/137
D611,022 S	3/2010	Puhalla et al.		
D633,088 S *	2/2011	Liao	D14/341
D638,006 S *	5/2011	Chang	D14/250
D650,349 S *	12/2011	Tom et al.	D14/138 G
D650,766 S	12/2011	Hong		
D654,038 S *	2/2012	Song et al.	D14/138 AD
D654,049 S *	2/2012	Chung	D14/138 G
D654,499 S	2/2012	Wesolek		
D669,892 S *	10/2012	Hofer et al.	D14/341
D670,693 S *	11/2012	Li	D14/341
D670,694 S *	11/2012	Li	D14/341
D672,767 S *	12/2012	Yoneya et al.	D14/341

D677,231 S *	3/2013	Behling	D14/138 G
D678,232 S *	3/2013	Harmon et al.	D14/138 G
D683,338 S *	5/2013	Wilson et al.	D14/250
D685,754 S *	7/2013	Palmer et al.	D14/138 G
D687,004 S *	7/2013	Behling	D14/138 G
D687,806 S *	8/2013	Hachiya	D14/138 G
D688,221 S *	8/2013	Zuffo et al.	D14/138 G

(Continued)

OTHER PUBLICATIONS

Panasonic unveils Windows 8 Pro-running FZ-G1, by KS Sandhya Iyer, posted Jan. 9, 2013, [online], [site visited Aug. 10, 2014]. Available from Internet, <URL: <http://gadgets.ndtv.com/tablets/news/panasonic-unveils-windows-8-pro-running-fz-g1-android-running-jt-b1-touchpads-315329>>.*

(Continued)

Primary Examiner — Jeffrey D Asch

(74) *Attorney, Agent, or Firm* — Brinks Gilson & Lione

(57) **CLAIM**

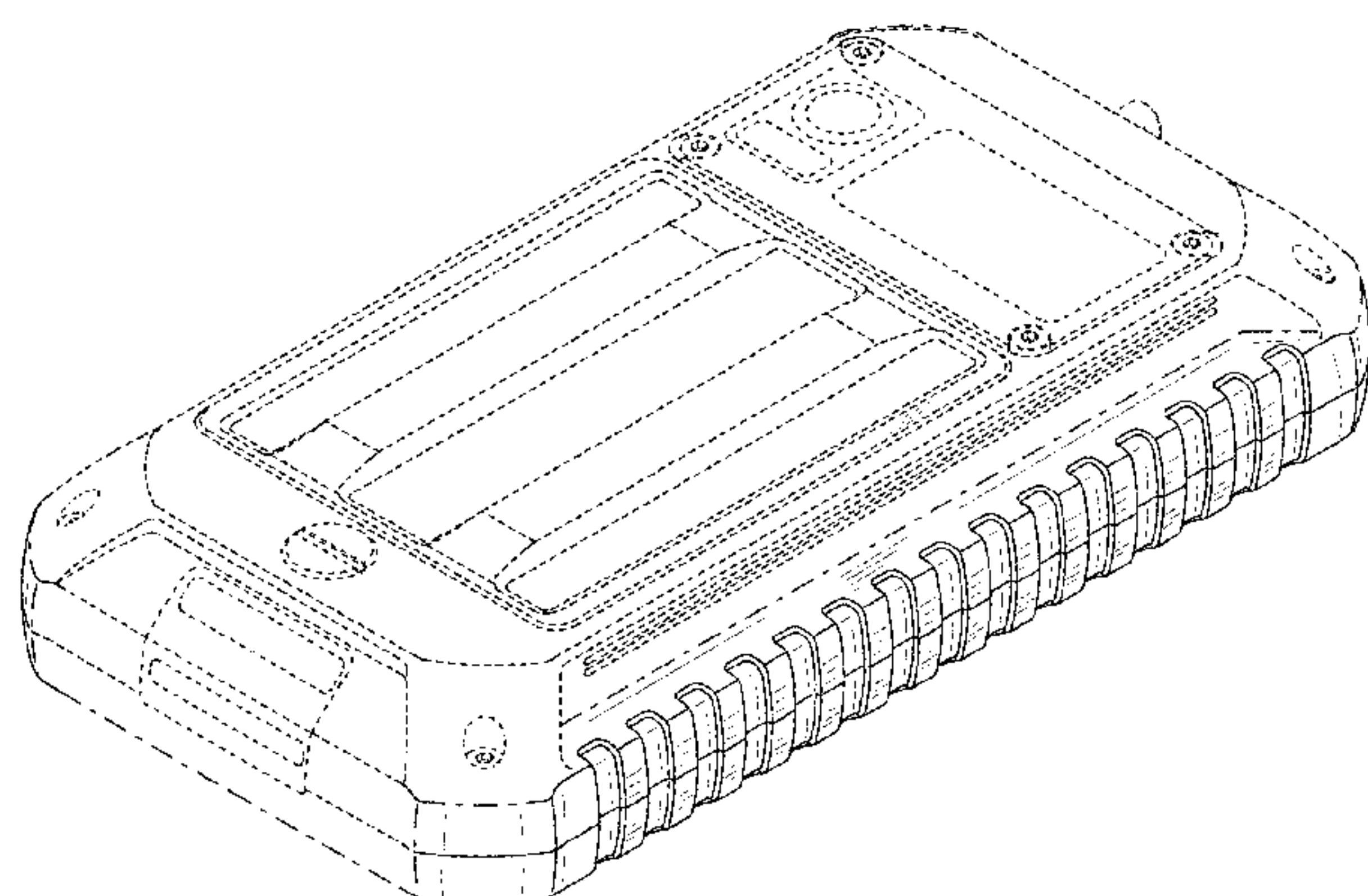
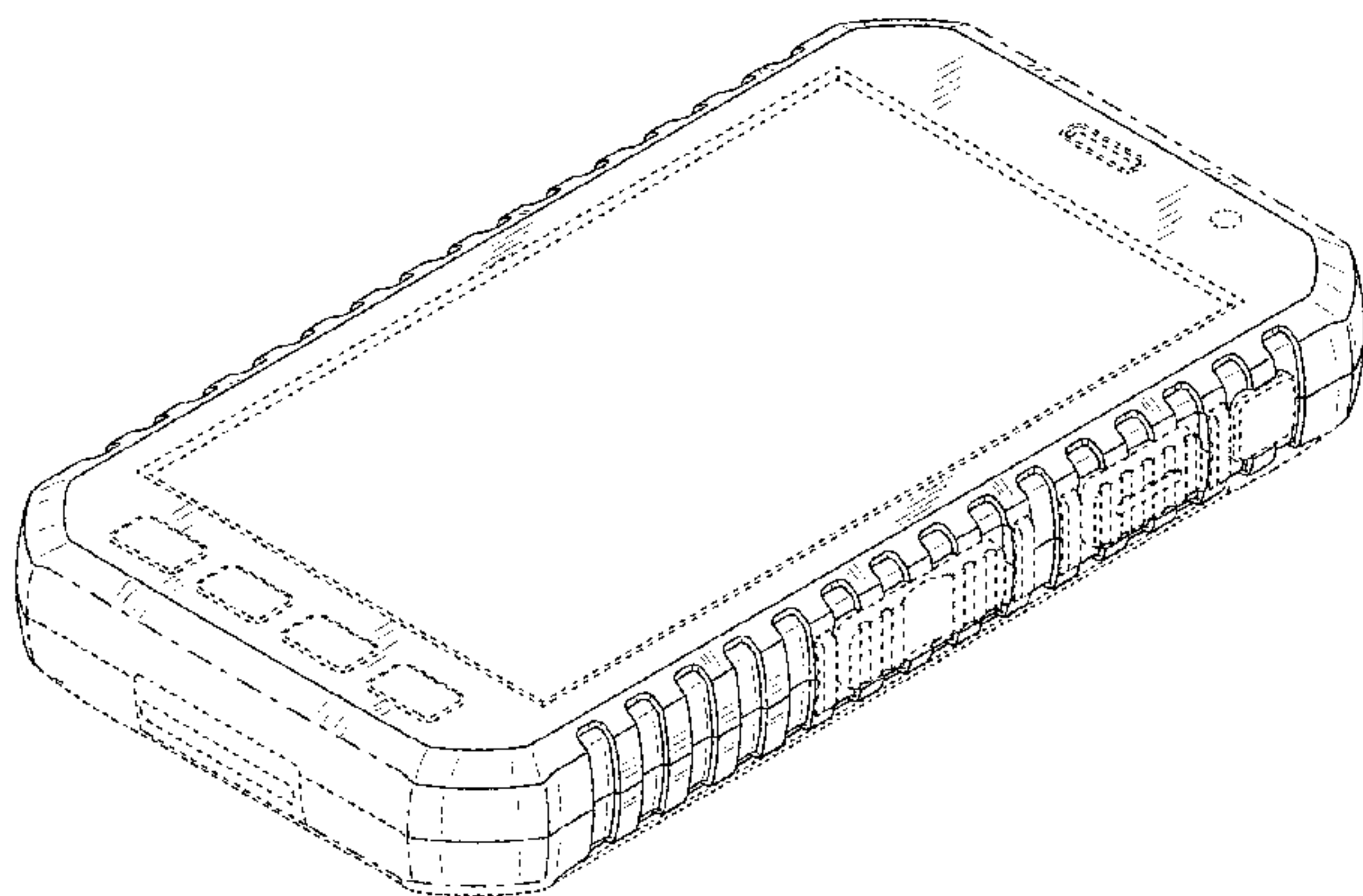
I claim the ornamental design for a mobile phone, as shown and described.

DESCRIPTION

FIG. 1 is a front perspective view of a mobile phone of the present invention;
FIG. 2 is a rear perspective view thereof;
FIG. 3 is a front view thereof;
FIG. 4 is a rear view thereof;
FIG. 5 is a first side view thereof;
FIG. 6 is a second side view thereof;
FIG. 7 is a top view thereof; and,
FIG. 8 is a bottom view thereof.

The broken lines shown in the figures, which are immediately adjacent to the shaded areas and define unshaded regions, represent the bounds of the claim. All other broken lines are directed to environment. The broken lines form no part of the claimed design.

1 Claim, 8 Drawing Sheets



(56)

References Cited

U.S. PATENT DOCUMENTS

D688,643 S * 8/2013 Park D14/138 G
D689,851 S * 9/2013 Chang et al. D14/250
D691,123 S * 10/2013 Lay et al. D14/250
D692,893 S * 11/2013 Wesolek D14/429
D694,213 S * 11/2013 Park D14/138 G
D698,786 S * 2/2014 Jondrow et al. D14/341
D701,203 S * 3/2014 Katori et al. D14/341
D703,665 S * 4/2014 Suzuki et al. D14/341
D707,644 S * 6/2014 Asano et al. D14/138 G
D709,057 S * 7/2014 Wilson et al. D14/250
2012/0309473 A1 * 12/2012 Choo et al. 455/575.7

OTHER PUBLICATIONS

Panasonic Toughpad FZ-X1 and Toughpad FZ-E1 rugged 5-inch smartphone unveiled, posted Feb. 26, 2014, [online], [site visited Aug. 10, 2014]. Available from Internet, <URL: <http://www.techarena.in/news/258305-panasonic-toughpad-fz-x1-toughpad-fz-e1-rugged-5-inch-smartphone-unveiled.htm>>.*

Cat B15 telephone, announced 2013, [online], [site visited Jul. 30, 2014]. Available from Internet, <URL: http://www.gsmarena.com/cat_b15-5985.php>.*

Samsung Rugby Smart 1847 telephone, announced Feb. 2012, [online], [site visited Jul. 30, 2014]. Available from Internet, <URL: http://www.gsmarena.com/samsung_rugby_smart_i847-4564.php>.*

Icemobile Gravity Pro telephone, announced 2013, [online], [site visited Jul. 30, 2014]. Available from Internet, <URL: http://www.gsmarena.com/icemobile_gravity_pro-5874.php>.*

* cited by examiner

FIG.1

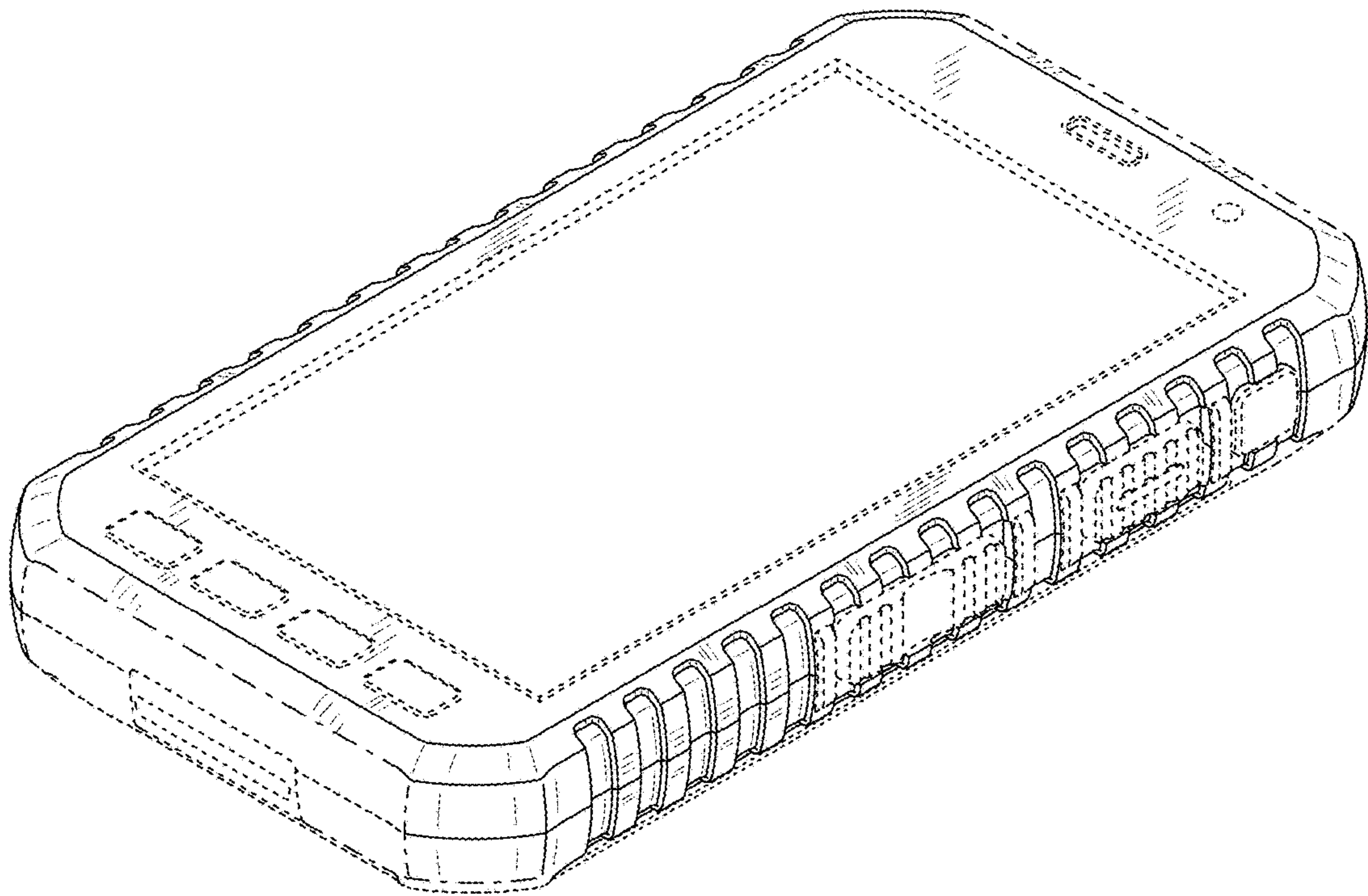


FIG.2

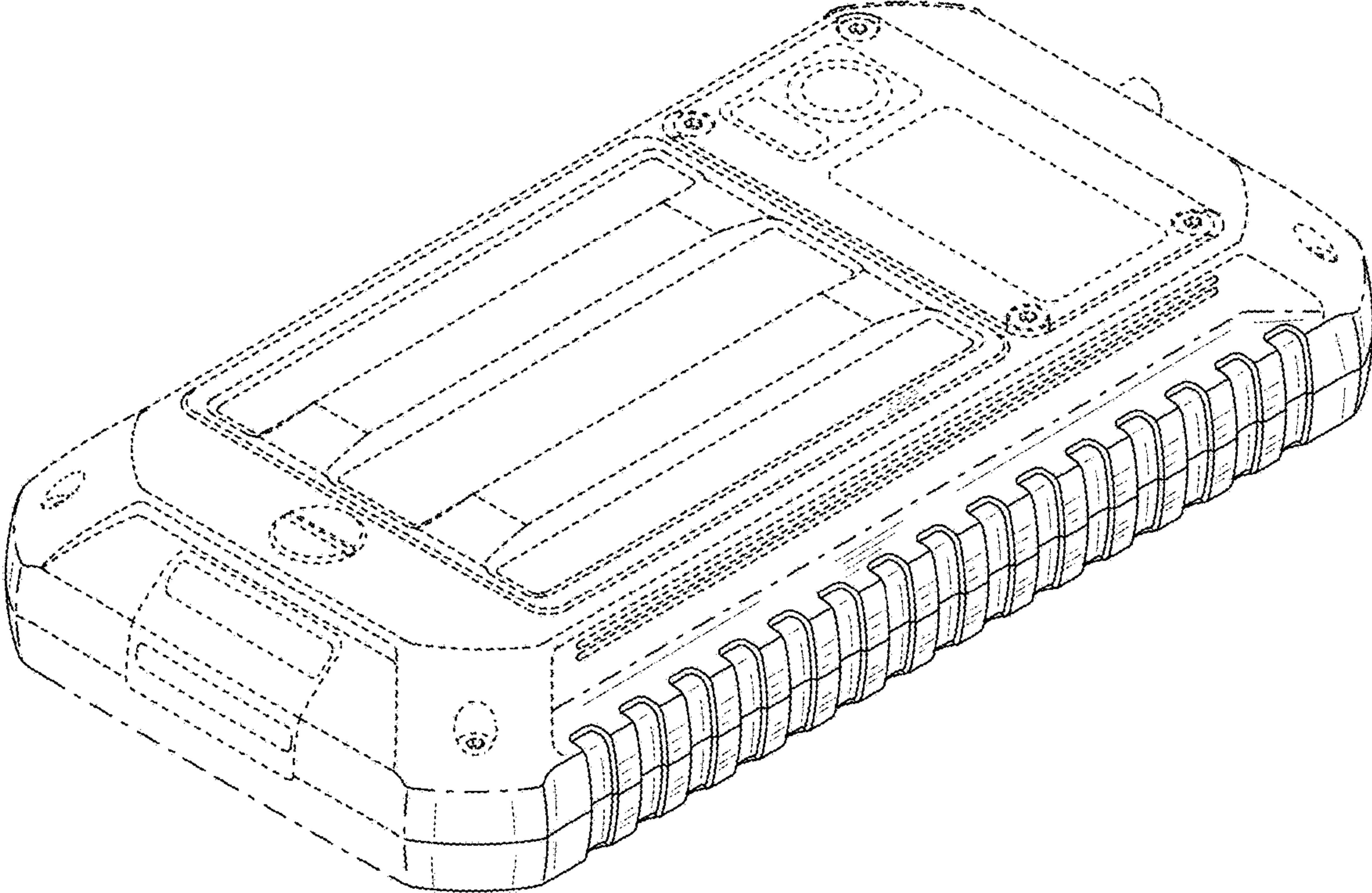


FIG.3

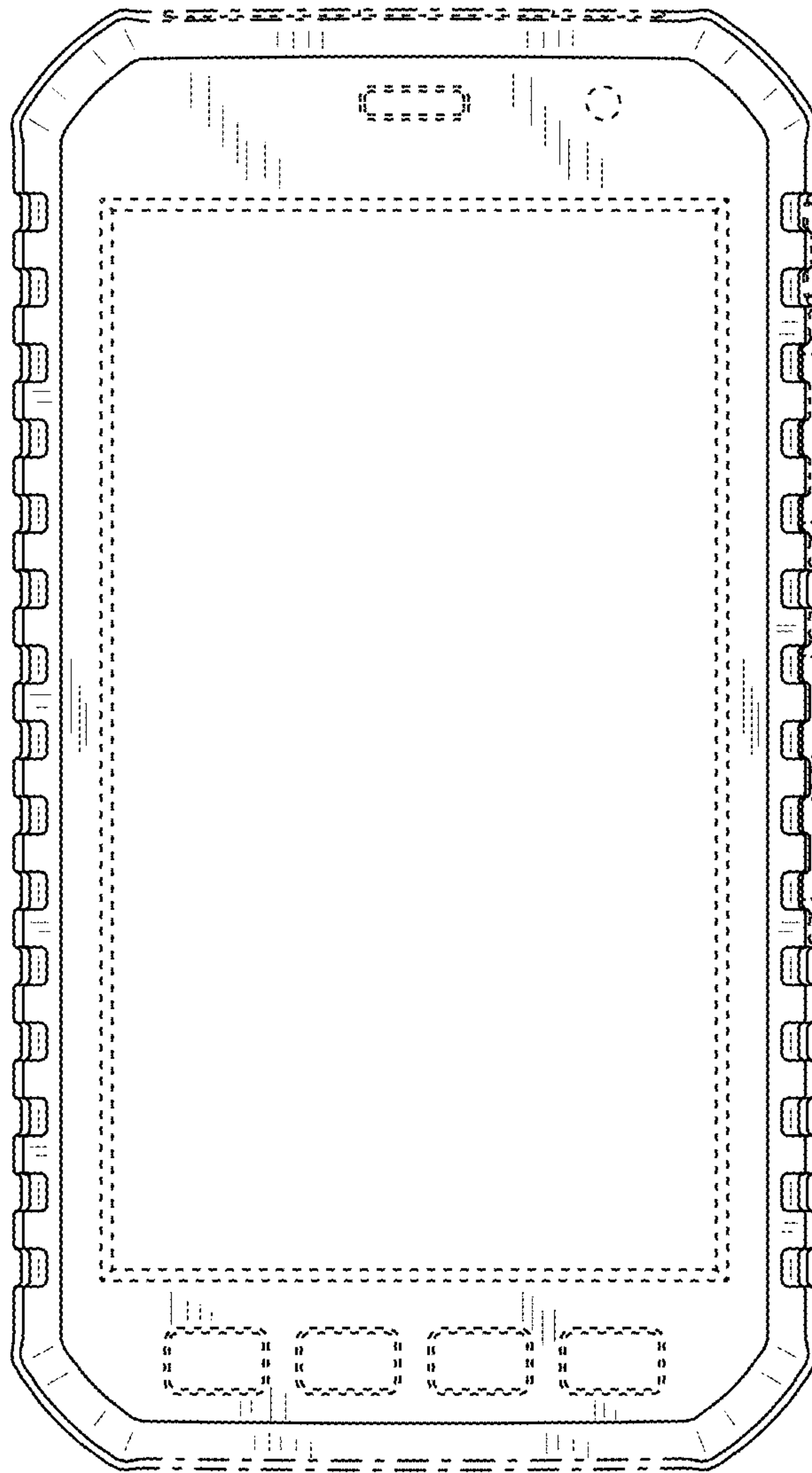


FIG.4

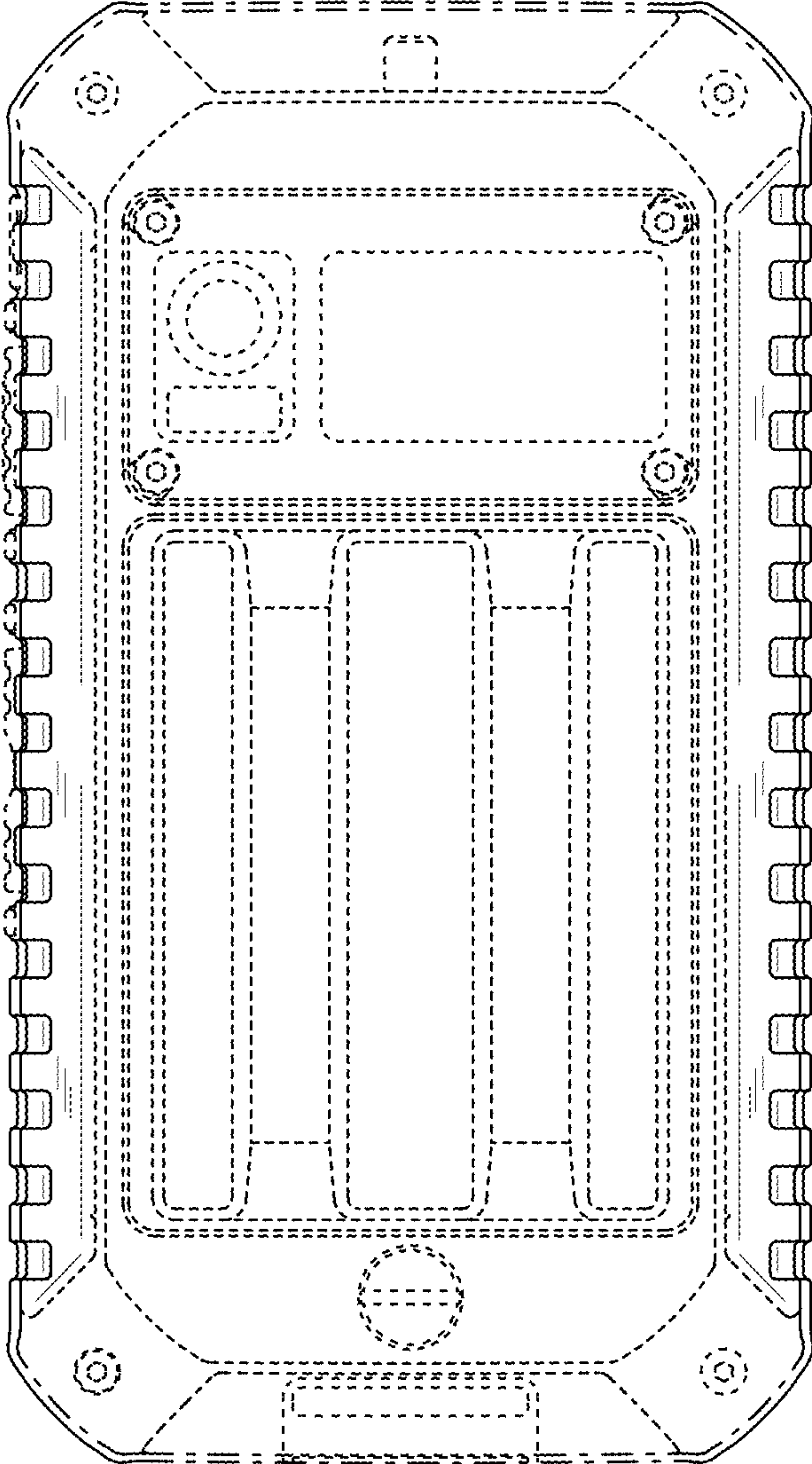


FIG.5

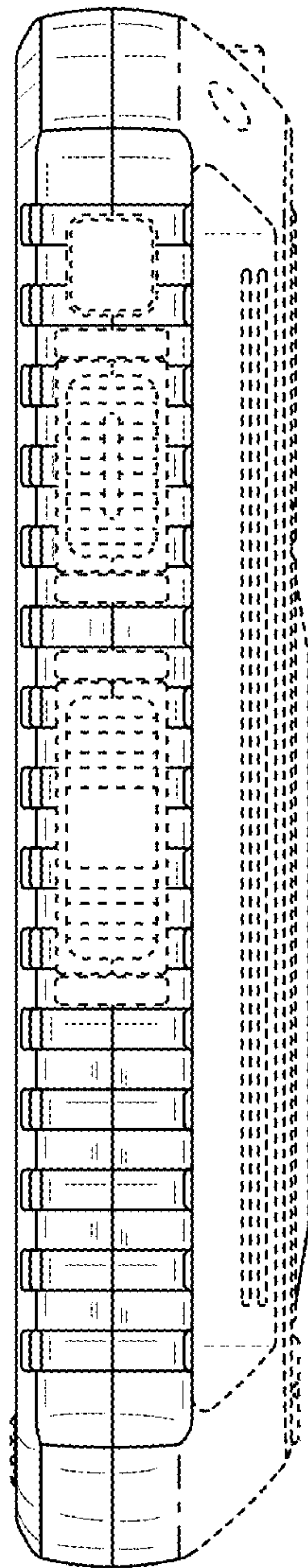


FIG.6

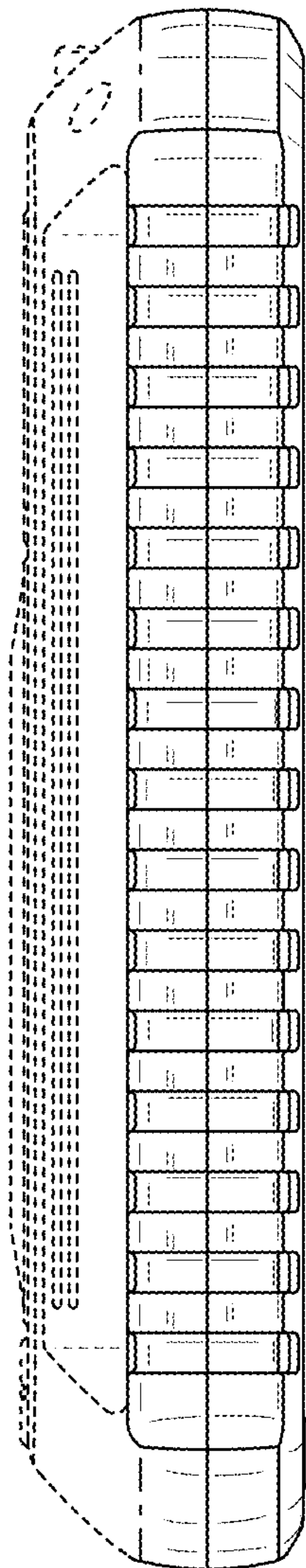


FIG. 7

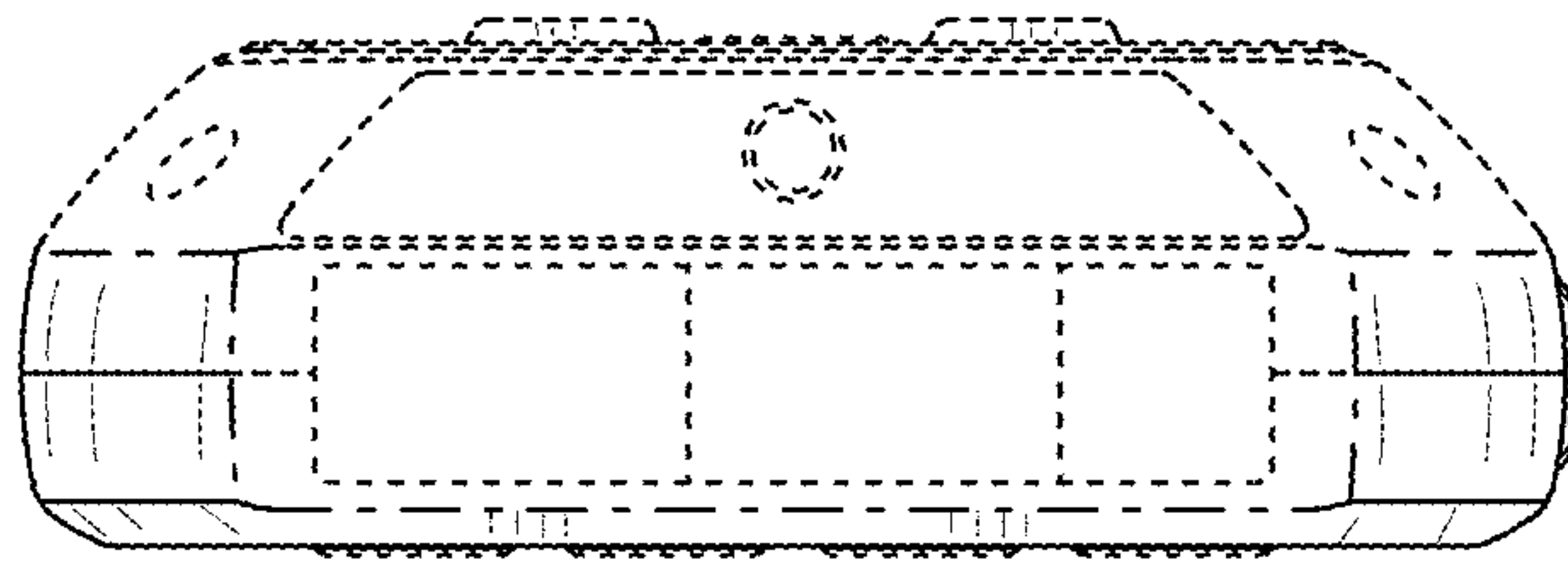


FIG.8

