



US00D807331S

(12) **United States Design Patent** (10) **Patent No.:** **US D807,331 S**
Morimoto (45) **Date of Patent:** **** Jan. 9, 2018**

(54) **COMBINED HEADPHONE AND AUDIO PLAYER**

- (71) Applicant: **Sony Corporation**, Tokyo (JP)
- (72) Inventor: **So Morimoto**, Saitama (JP)
- (73) Assignee: **Sony Corporation**, Tokyo (JP)
- (**) Term: **15 Years**
- (21) Appl. No.: **29/581,678**
- (22) Filed: **Oct. 20, 2016**

Related U.S. Application Data

- (60) Division of application No. 29/529,762, filed on Jun. 10, 2015, now Pat. No. Des. 772,846, which is a continuation-in-part of application No. 29/496,002, filed on Jul. 8, 2014, now Pat. No. Des. 745,862, which is a continuation-in-part of application No. 29/421,750, filed on Sep. 14, 2012, now Pat. No. Des. 709,051, which is a continuation-in-part of application No. 29/371,743, filed on Aug. 18, 2011, now Pat. No. Des. 667,817.

Foreign Application Priority Data

- (30) Feb. 18, 2011 (CN) 2011 3 0025880
- (51) **LOC (11) Cl.** **14-01**
- (52) **U.S. Cl.**
USPC **D14/223**; D14/217
- (58) **Field of Classification Search**
USPC D14/192, 194, 204, 205, 156, 223, 248, D14/249, 137, 138, 142, 138 AD, 147, D14/148, 188, 496, 160, 168, 217, 265; D8/349, 14, 21, 29.1, 61, 63; D24/106, D24/110; 381/312, 315, 72, 74, 73.1, 381/23.1, 328, 329, 150, 151, 370, 376; 181/122, 129, 130, 135, 137; 455/1, 440, 455/344-351, 90.3, 575.1, 565; 200/5 B, 200/5 EB, 547-550
CPC H04R 1/10; H04R 25/02
See application file for complete search history.

(56) **References Cited**

U.S. PATENT DOCUMENTS

4,571,746 A	2/1986	Gorike	
5,279,294 A	1/1994	Anderson et al.	
5,579,669 A	12/1996	Kind et al.	
5,643,012 A	7/1997	Mai et al.	
5,824,966 A	10/1998	Leight	
5,997,158 A	12/1999	Fischer et al.	
6,081,604 A	6/2000	Hikichi et al.	
6,082,485 A	7/2000	Smith	
D430,134 S	8/2000	Obata et al.	
6,123,168 A *	9/2000	Berg	A61F 11/12 128/866
6,138,790 A	10/2000	Leight	

(Continued)

Primary Examiner — Prabhakar Deshmukh

(74) *Attorney, Agent, or Firm* — Michael Best & Friedrich LLP

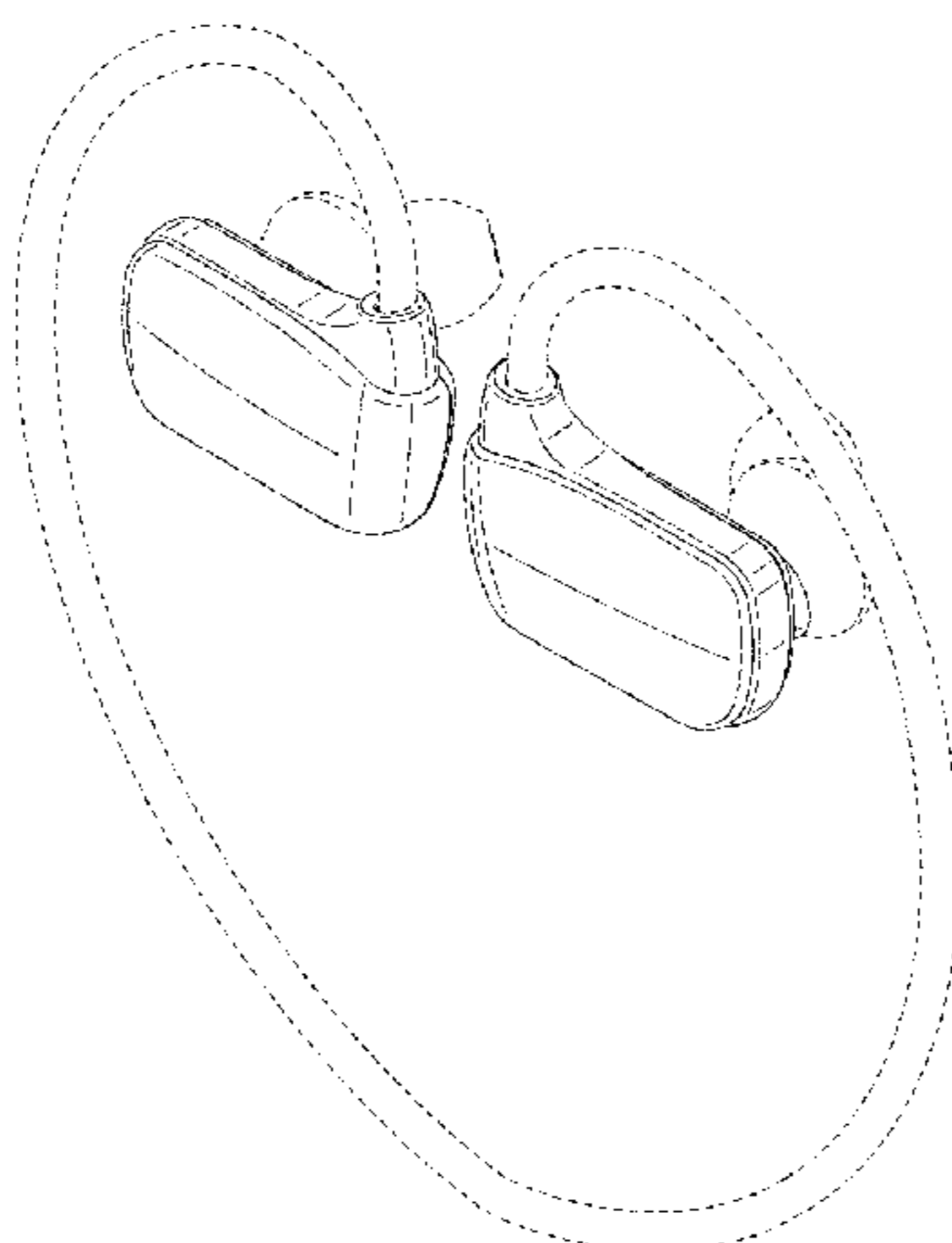
(57) **CLAIM**

The ornamental design for a combined headphone and audio player, as shown and described.

DESCRIPTION

FIG. 1 is a perspective view of a combined headphone and audio player showing our new design;
 FIG. 2 is a front elevational view thereof;
 FIG. 3 is a rear elevational view thereof;
 FIG. 4 is a left side elevational view thereof;
 FIG. 5 is a right side elevational view thereof;
 FIG. 6 is a top plan view thereof; and,
 FIG. 7 is a bottom plan view thereof.
 The broken lines illustrate unclaimed portions of the combined headphone and audio player and form no part of the claimed design.

1 Claim, 5 Drawing Sheets



(56)

References Cited

U.S. PATENT DOCUMENTS

6,385,325 B1	5/2002	Nageno et al.		D587,680 S	3/2009	Komiyama	
6,396,931 B1	5/2002	Malilay		7,500,760 B2	3/2009	Byrne	
D484,485 S	12/2003	Matsuoka		D592,190 S	5/2009	Birger	
6,654,966 B2	12/2003	Rolla		D601,548 S	10/2009	Morisawa	
6,688,421 B2	2/2004	Dyer et al.		D603,378 S	11/2009	Paradise	
6,728,388 B1	4/2004	Nageno et al.		D604,272 S	11/2009	Kitayama	
6,741,719 B1 *	5/2004	Orten	A61B 7/04 381/380	D604,722 S	11/2009	Mistry	
				7,663,692 B2	2/2010	Chang	
6,809,574 B1	10/2004	Kiani		D617,779 S *	6/2010	Nylen	D14/223
D505,411 S	5/2005	Sakai		D618,221 S *	6/2010	Fahrendorff	D14/223
6,922,476 B2	7/2005	Nassimi		D619,539 S	7/2010	Komiyama	
D512,992 S	12/2005	Murakami		7,811,101 B2	10/2010	Tang et al.	
7,079,664 B2	7/2006	Nassimi		D630,620 S *	1/2011	Lee	D14/223
7,110,535 B2	9/2006	Bodley et al.		D631,668 S	2/2011	Limongi	
7,121,696 B2	10/2006	Whitfield, Sr.		D635,547 S	4/2011	Komiyama	
D538,268 S	3/2007	Gibson et al.		D636,381 S	4/2011	Liner	
D550,202 S	9/2007	Meier et al.		D637,176 S	5/2011	Brunner et al.	
D559,879 S	1/2008	Sumita		D640,242 S	6/2011	Fahrendorff et al.	
D559,880 S	1/2008	Sumita		8,080,757 B2	12/2011	Zuo	
D566,104 S	4/2008	Suzuki		8,252,445 B2	8/2012	Chu	
D570,824 S	6/2008	Schultz et al.		8,305,439 B2	11/2012	Cheng et al.	
D574,029 S	7/2008	Yamagishi		D673,519 S	1/2013	Tan	
D587,678 S	3/2009	Yuyama		8,445,796 B2	5/2013	Yang et al.	
				8,801,217 B2	8/2014	Oehle et al.	
				2013/0051012 A1	2/2013	Oehle et al.	

* cited by examiner

FIG. 1

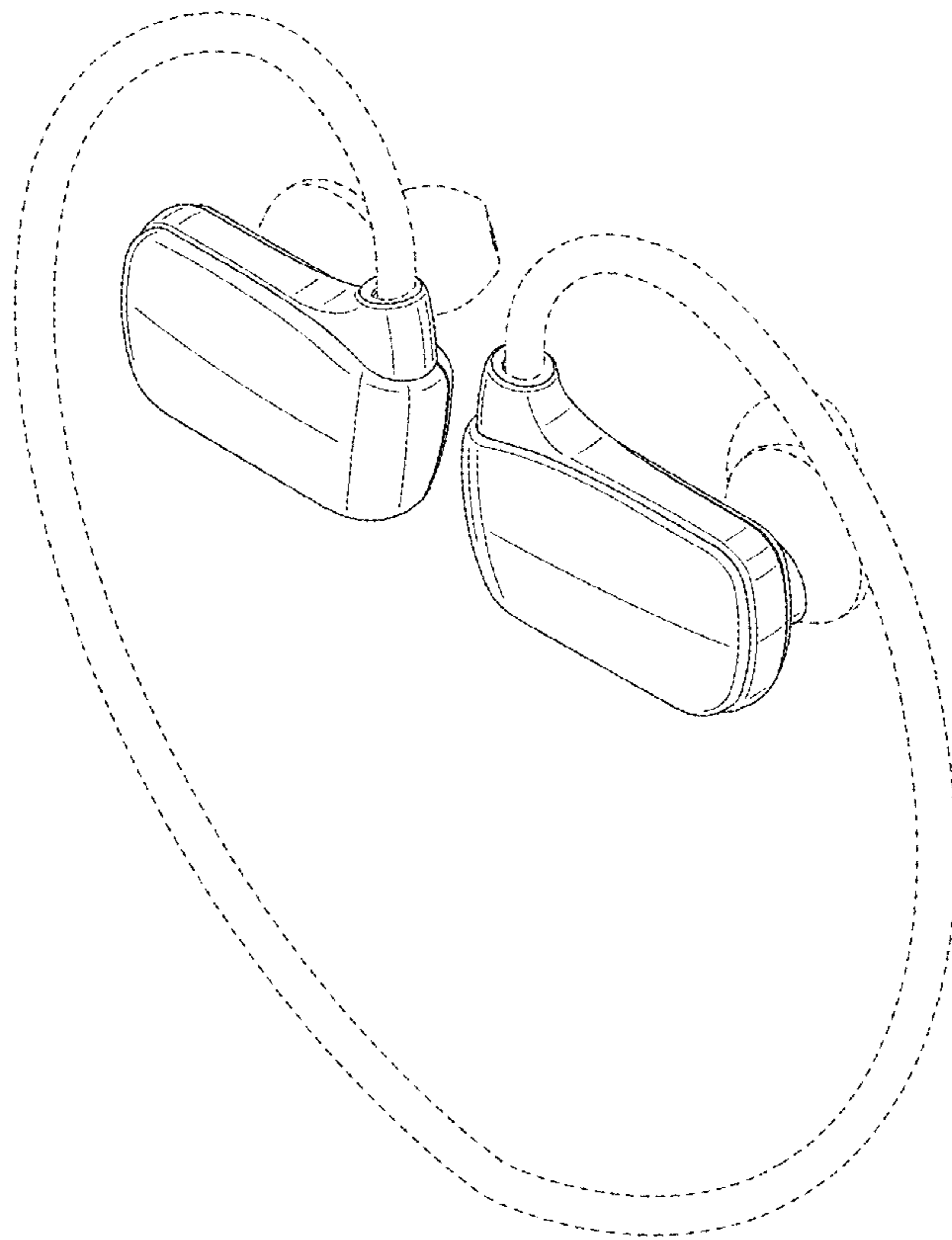


FIG.2

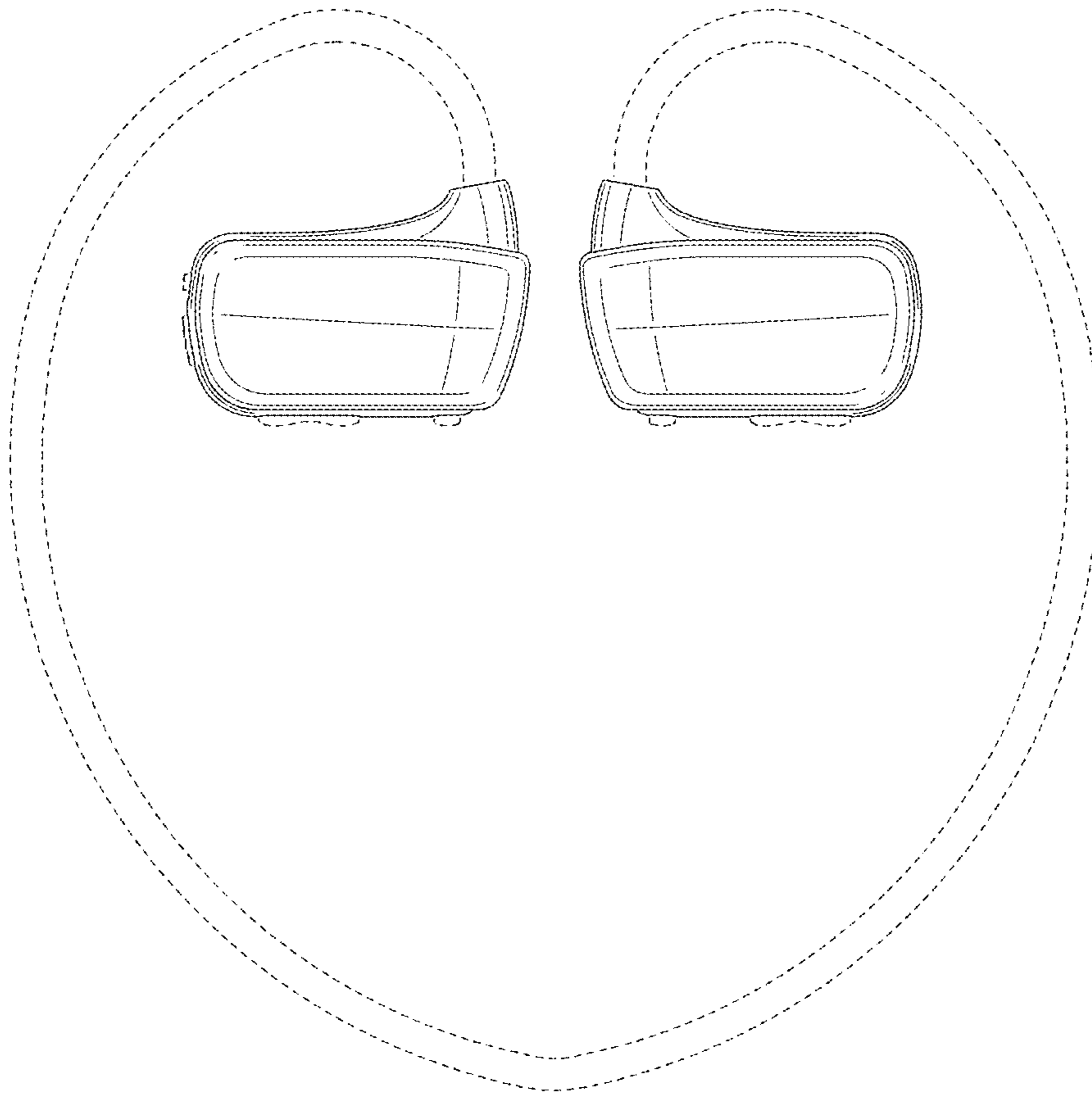


FIG.3

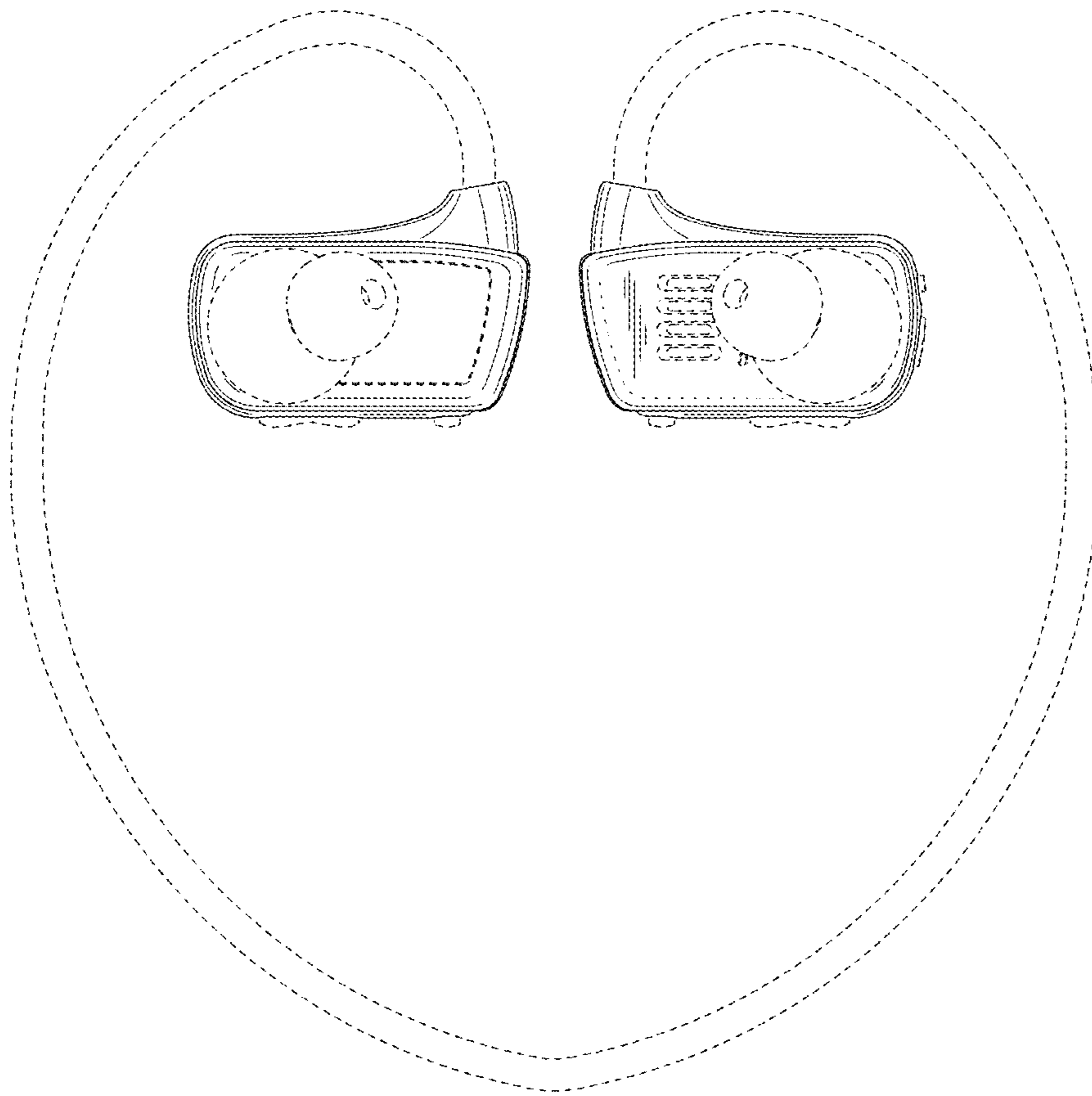


FIG.4

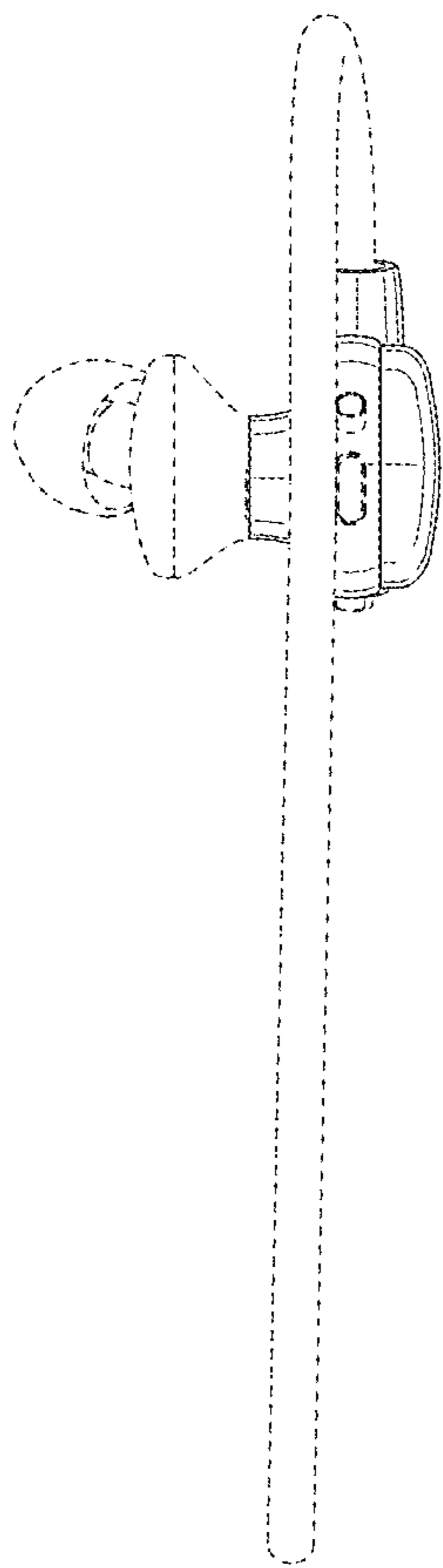


FIG.5

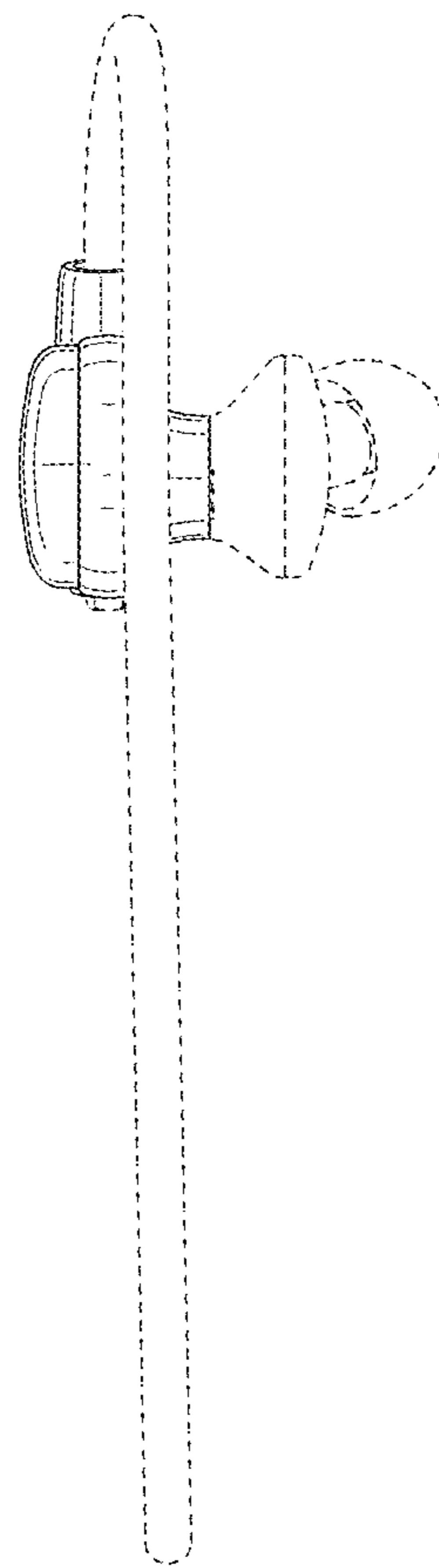


FIG.6

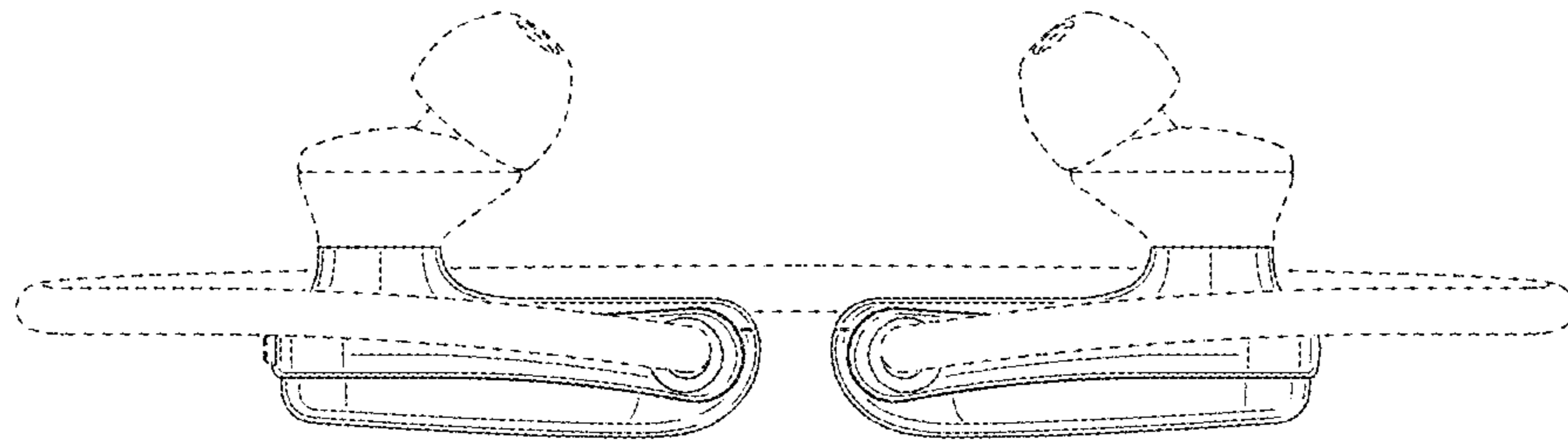


FIG.7

