



US00D807328S

(12) **United States Design Patent**
Garrett

(10) **Patent No.:** **US D807,328 S**

(45) **Date of Patent:** **** Jan. 9, 2018**

(54) **SPEAKER HAVING ADJUSTABLE HOUSING**

(71) Applicant: **SDI Technologies, Inc.**, Rahway, NJ
(US)

(72) Inventor: **Jennifer Elizabeth Garrett**, Ardsley,
PA (US)

(73) Assignee: **SDI Technologies, Inc.**, Rahway, NJ
(US)

(**) Term: **15 Years**

(21) Appl. No.: **29/578,580**

(22) Filed: **Sep. 22, 2016**

(51) **LOC (11) Cl.** **14-01**

(52) **U.S. Cl.**
USPC **D14/216; D14/215**

(58) **Field of Classification Search**

USPC D14/168, 188, 194, 195, 196, 204, 210,
D14/211, 212, 213, 214, 215, 216
CPC B60R 11/0217; G06F 1/1688; G10K 9/22;
G10K 11/004; H03F 1/327; H04M 1/03;
H04M 1/035; H04N 5/642; H04N
21/4852; H04S 3/00; H04S 7/30; H04R
1/02; H04R 1/06; H04R 1/021; H04R
1/025; H04R 1/026; H04R 1/028; H04R
1/105; H04R 1/323; H04R 1/403; H04R
1/2803; H04R 1/2834; H04R 5/02; H04R
7/20; H04R 9/06; H04R 9/025; H04R
2201/021; H04R 2400/00; H04R 2400/07;
H04R 2499/11; H04R 2499/13; H04R
2499/15

See application file for complete search history.

(56) **References Cited**

U.S. PATENT DOCUMENTS

D305,660 S * 1/1990 Howze D14/212
D521,982 S * 5/2006 Schafernak D14/216
D620,480 S * 7/2010 Garrett D14/216
D695,714 S * 12/2013 Lee D14/216
D710,826 S * 8/2014 Holzer D14/216

(Continued)

OTHER PUBLICATIONS

YouTube—Philips Flex, announced Jun. 1, 2015 [online], [site visited Jun. 14, 2017]. Available from internet, URL: <https://www.youtube.com/watch?v=wrAtrjDzO0g>.*

(Continued)

Primary Examiner — Keli L Hill

Assistant Examiner — Karra S Johnson

(74) *Attorney, Agent, or Firm* — Leason Ellis LLP

(57) **CLAIM**

The ornamental design for a speaker having adjustable housing, as shown and described.

DESCRIPTION

FIG. 1 is a front perspective view of a speaker having adjustable housing shown in a first, expanded state, according to my new design;

FIG. 2 is a front view of the design of FIG. 1;

FIG. 3 is a rear view of the design of FIG. 1;

FIG. 4 is a left side view of the design of FIG. 1;

FIG. 5 is a right side view of the design of FIG. 1;

FIG. 6 is a top view of the design of FIG. 1;

FIG. 7 is a bottom view of the design of FIG. 1;

FIG. 8 is a front perspective view of a speaker having adjustable housing shown in a second, collapsed state, according to my new design;

FIG. 9 is a front view of the design of FIG. 8;

FIG. 10 is a rear view of the design of FIG. 8;

FIG. 11 is a right side view of the design of FIG. 8;

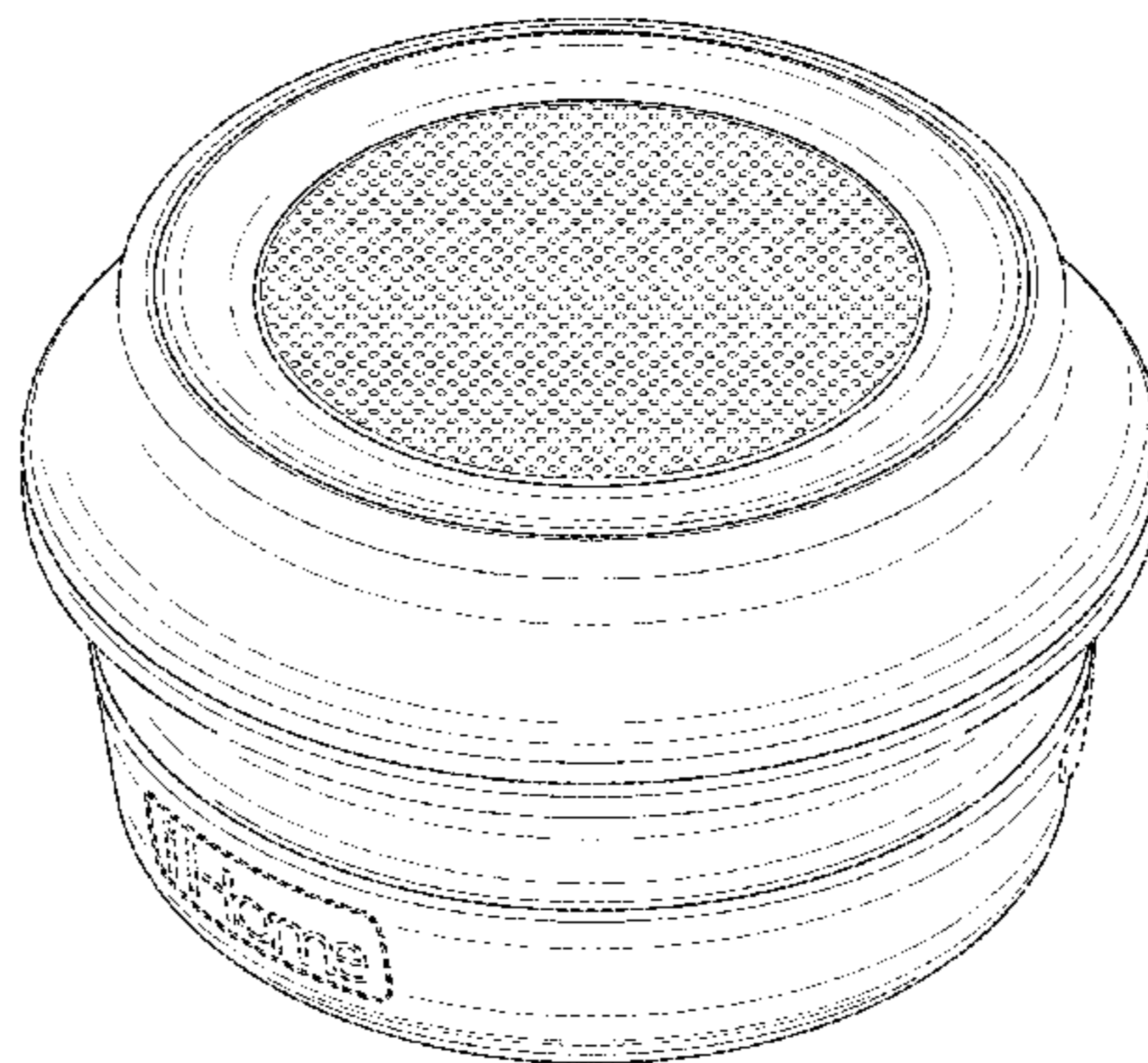
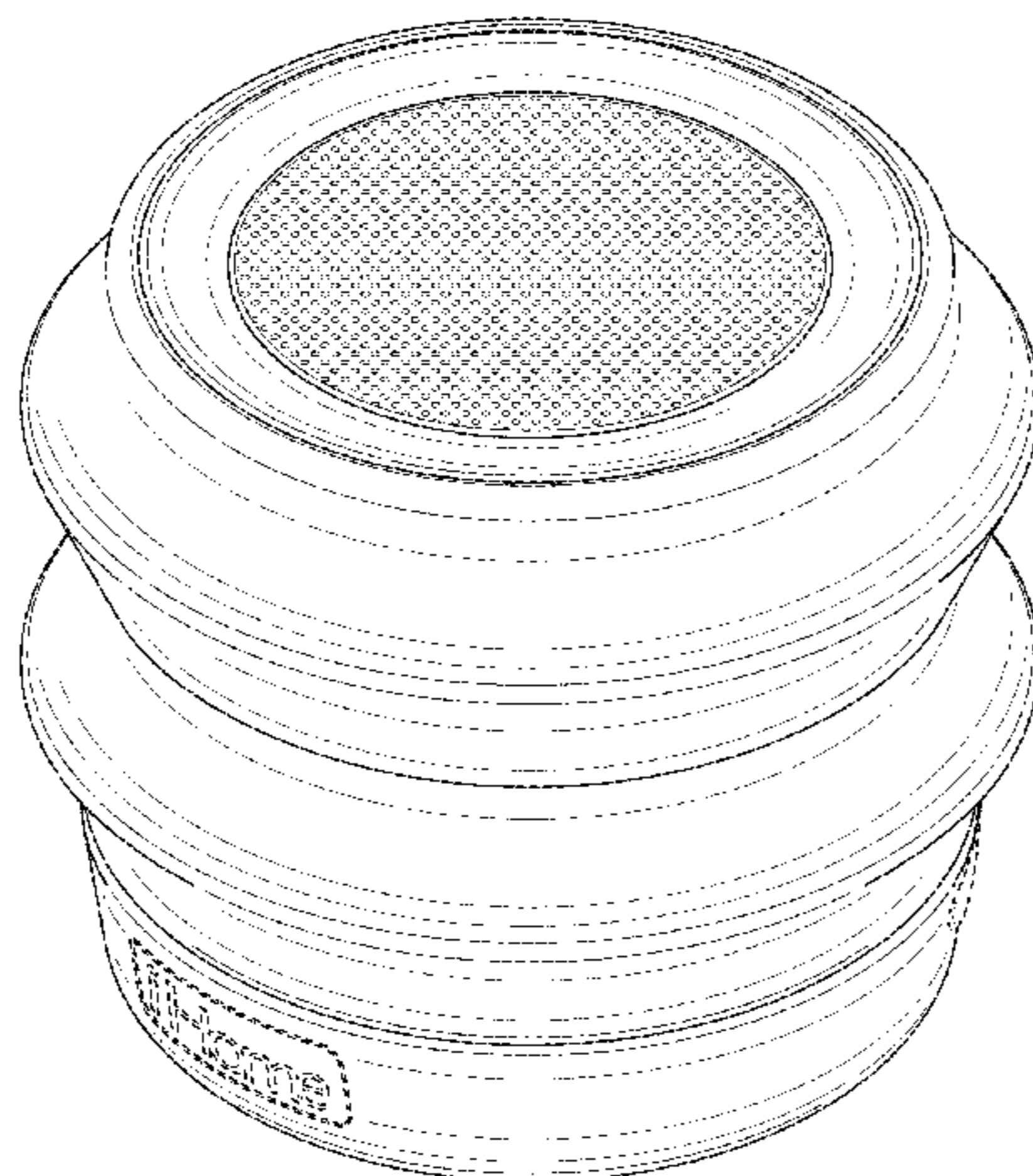
FIG. 12 is a left side view of the design of FIG. 8;

FIG. 13 is a top view of the design of FIG. 8; and,

FIG. 14 is a bottom view of the design of FIG. 8.

The dash-dash broken lines, including branding, buttons, switches, data ports and the bottom surface, illustrate environmental structure that form no part of the claimed design.

1 Claim, 14 Drawing Sheets



(56)

References Cited

U.S. PATENT DOCUMENTS

D720,332	S	*	12/2014	Kim	D14/216
D727,297	S	*	4/2015	Valeur	D14/216
D728,520	S	*	5/2015	Zhang	D14/216
D728,521	S	*	5/2015	Zhang	D14/216
D728,522	S	*	5/2015	Zhang	D14/216
D728,525	S	*	5/2015	Zhang	D14/216
D728,526	S	*	5/2015	Zhang	D14/216
D736,182	S	*	8/2015	Poandl	D14/216
D752,551	S	*	3/2016	Wong	D14/216
9,351,066	B2	*	5/2016	Walter	H04R 1/2811
D788,075	S	*	5/2017	Bailey	D14/204

OTHER PUBLICATIONS

YouTube—iHome iHM60, announced Feb. 10, 2012 [online], [site visited Jun. 14, 2017]. Available from internet, URL: <<https://www.youtube.com/watch?v=50Q0oWD5GNU>>.*

* cited by examiner

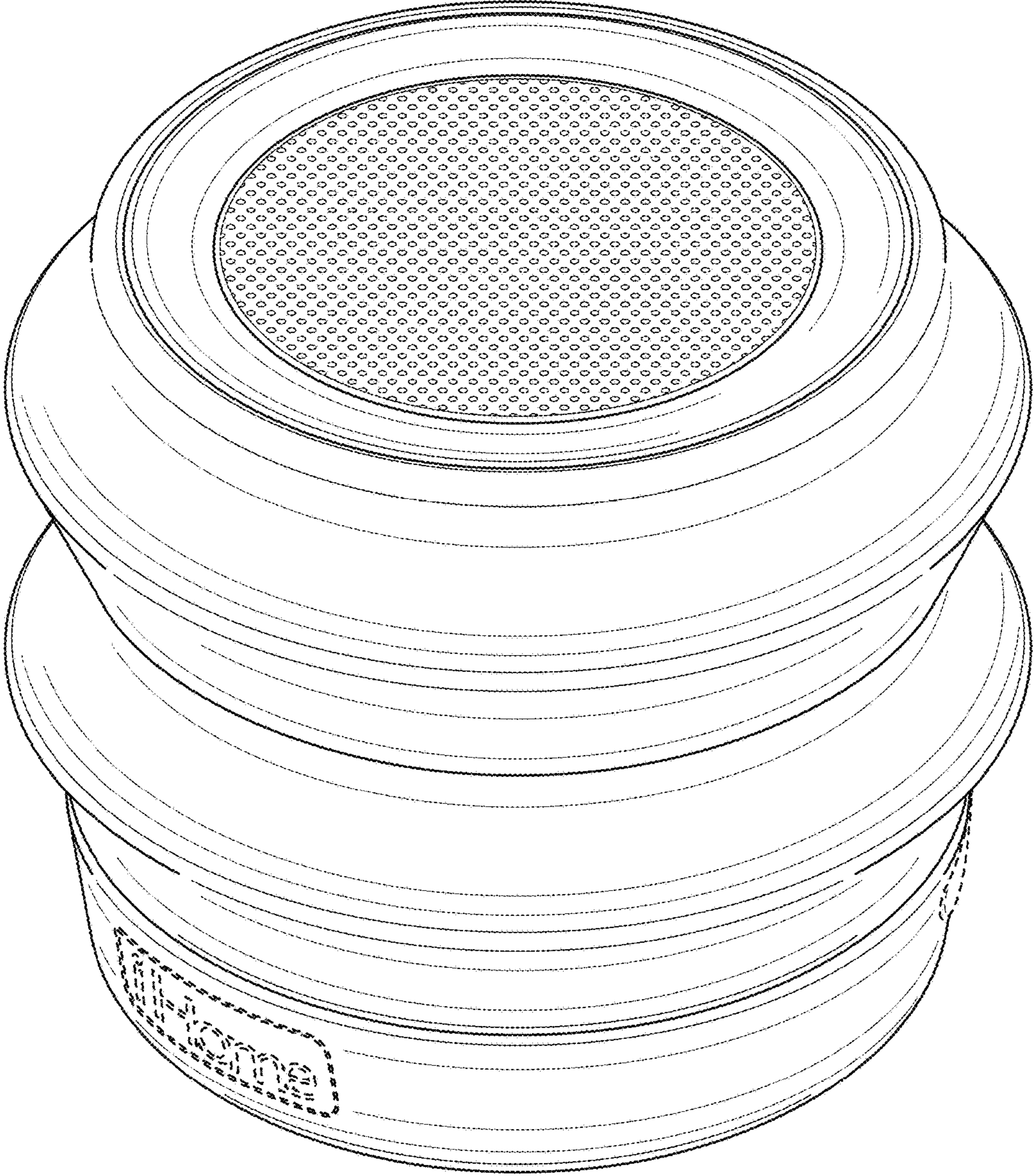


FIG. 1

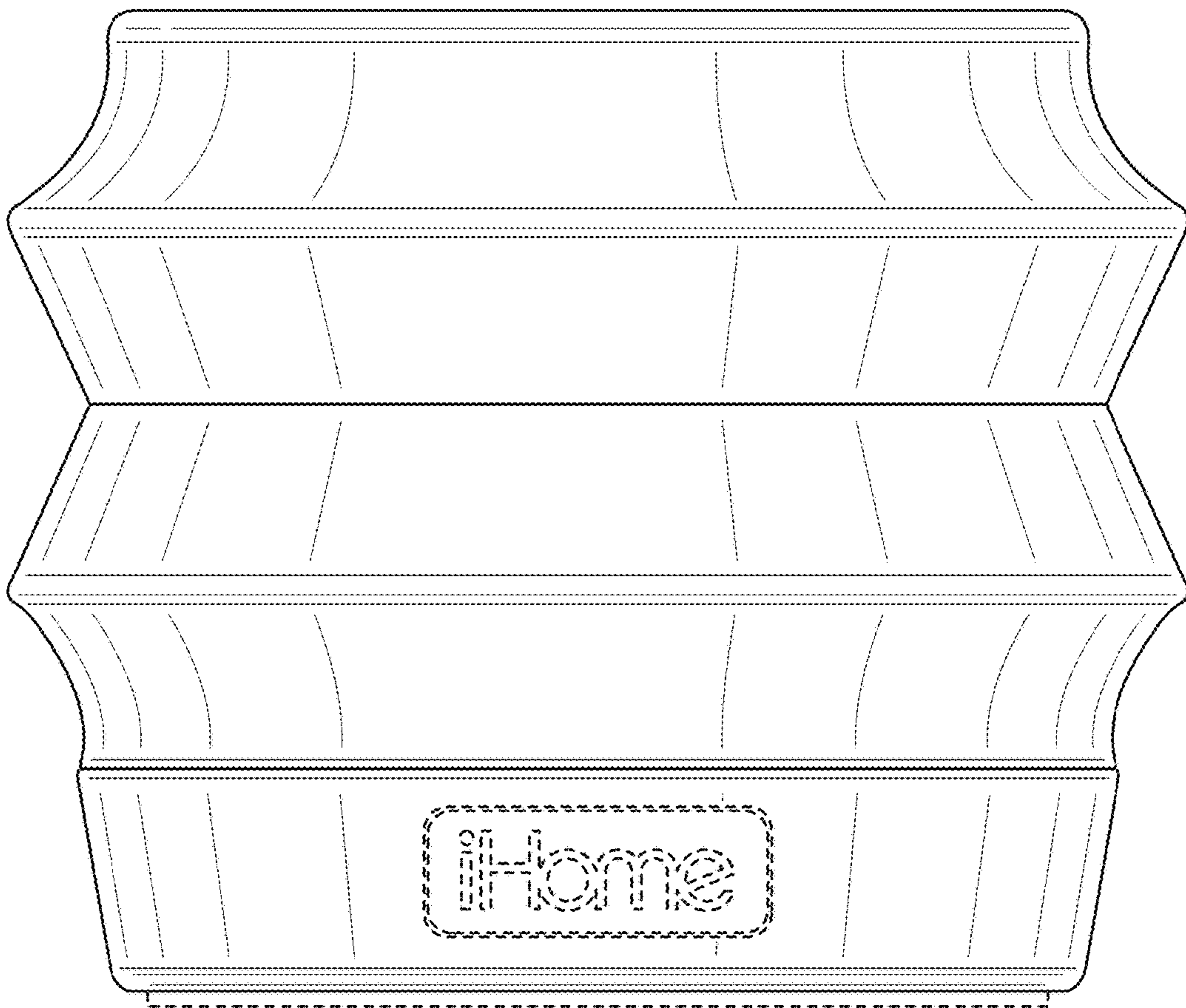


FIG. 2

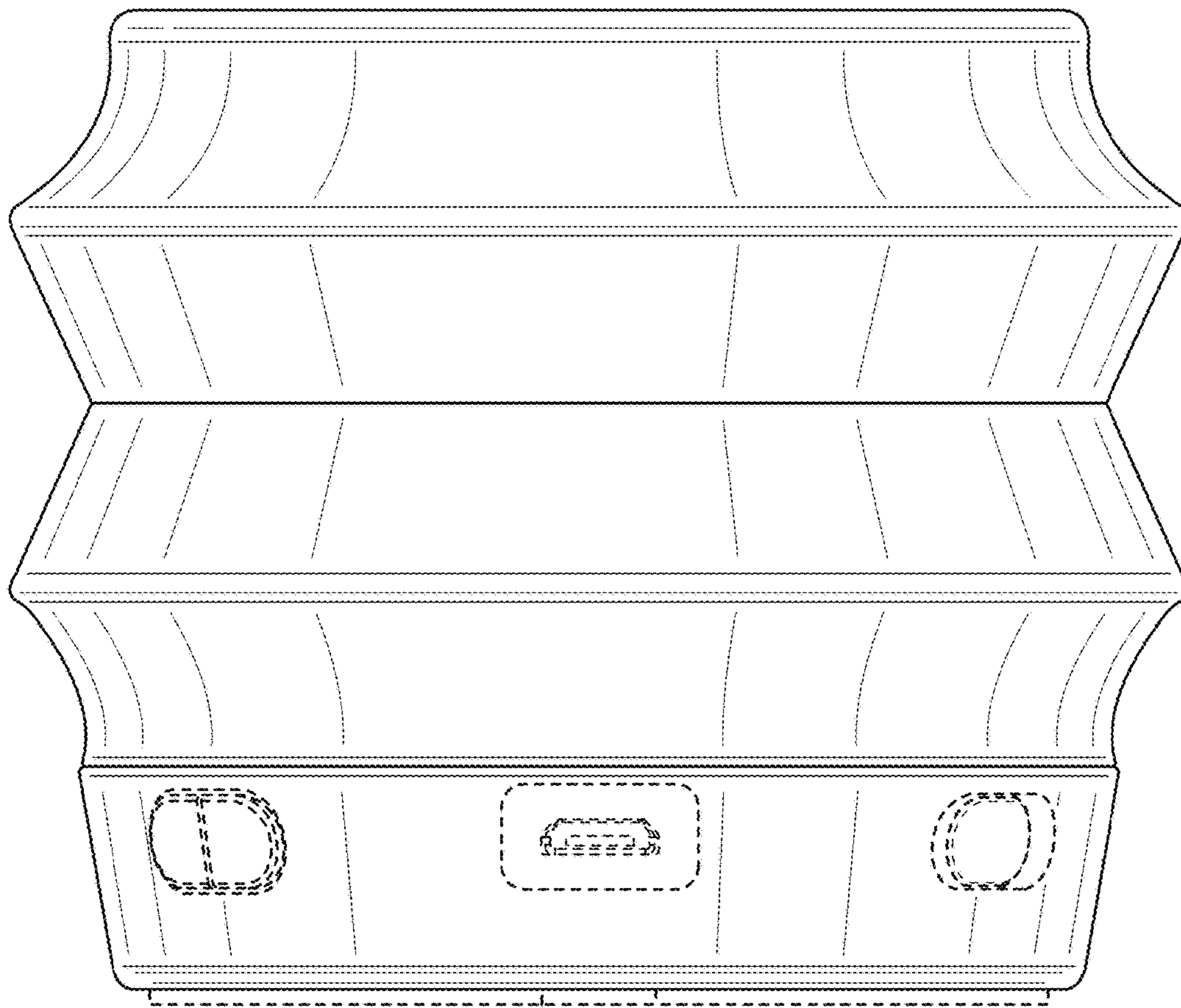


FIG. 3

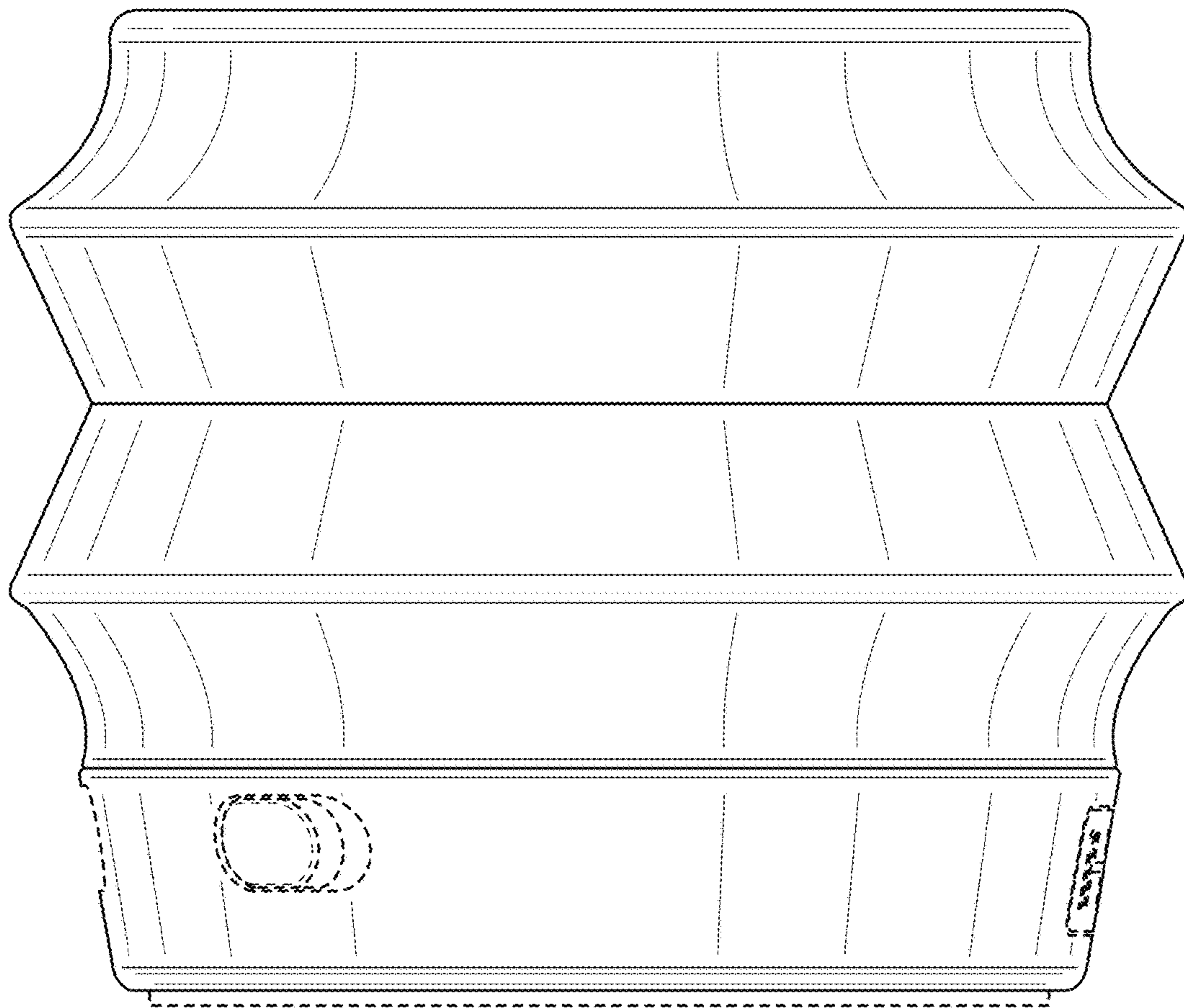


FIG. 4

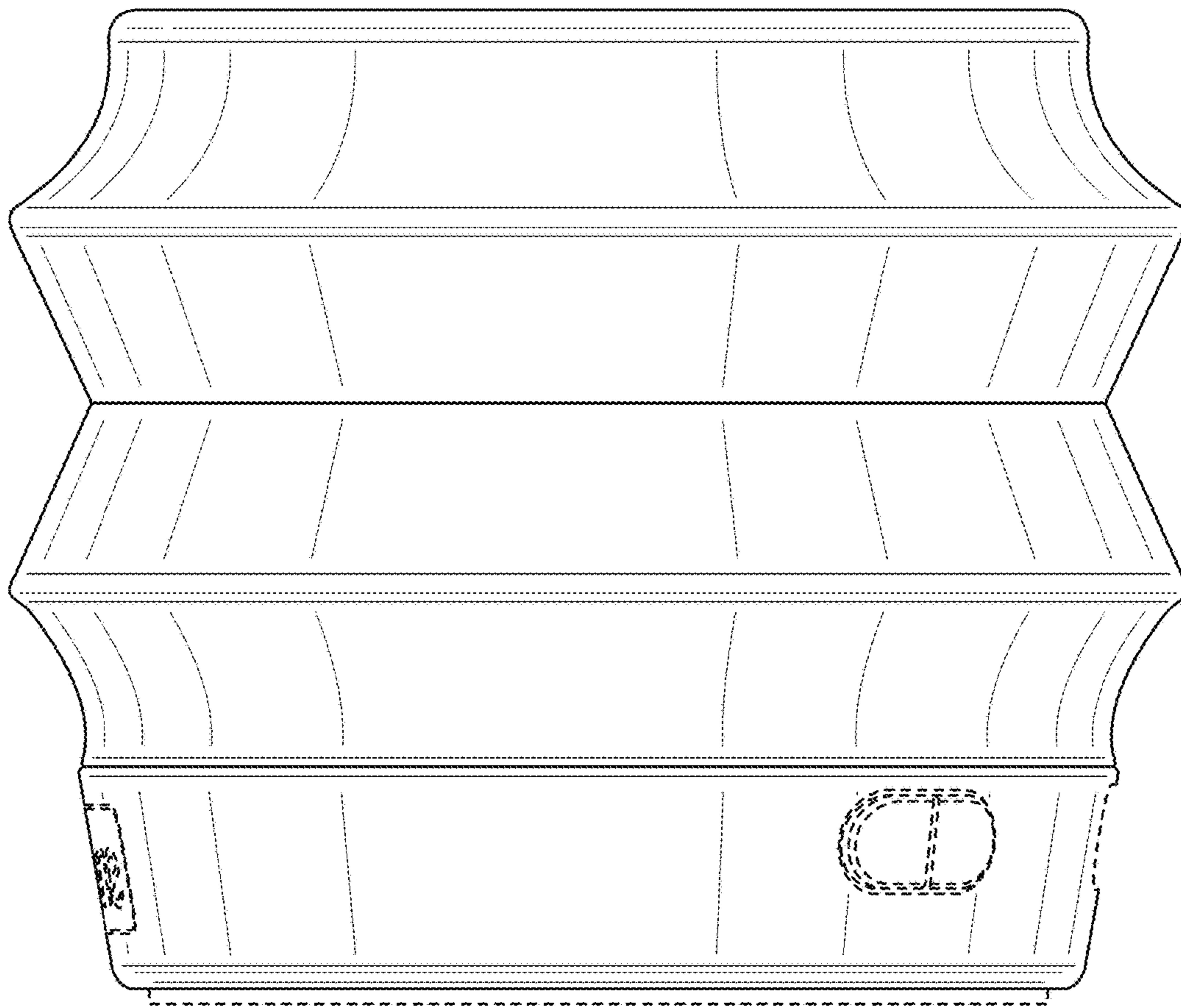


FIG. 5

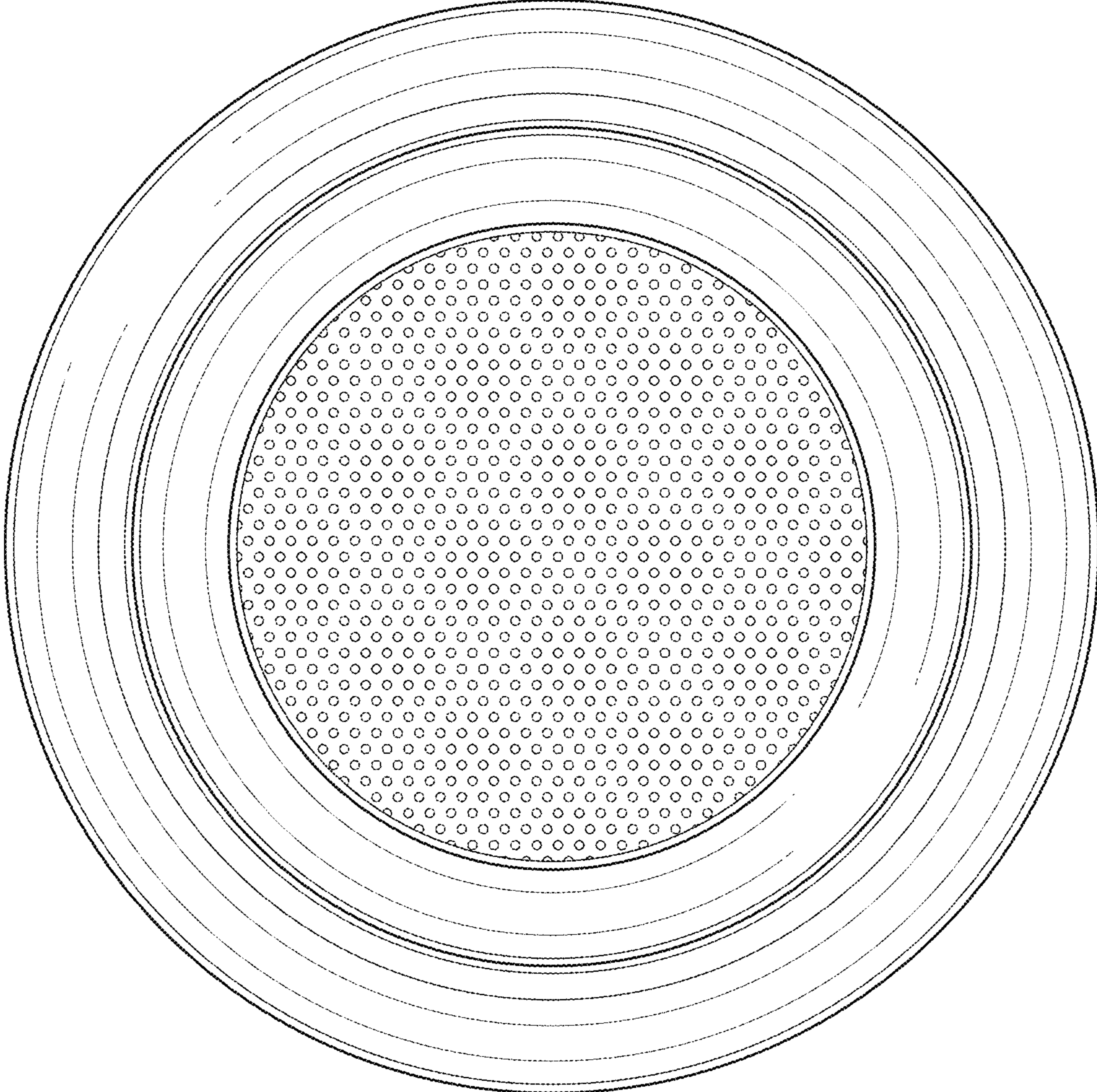


FIG. 6

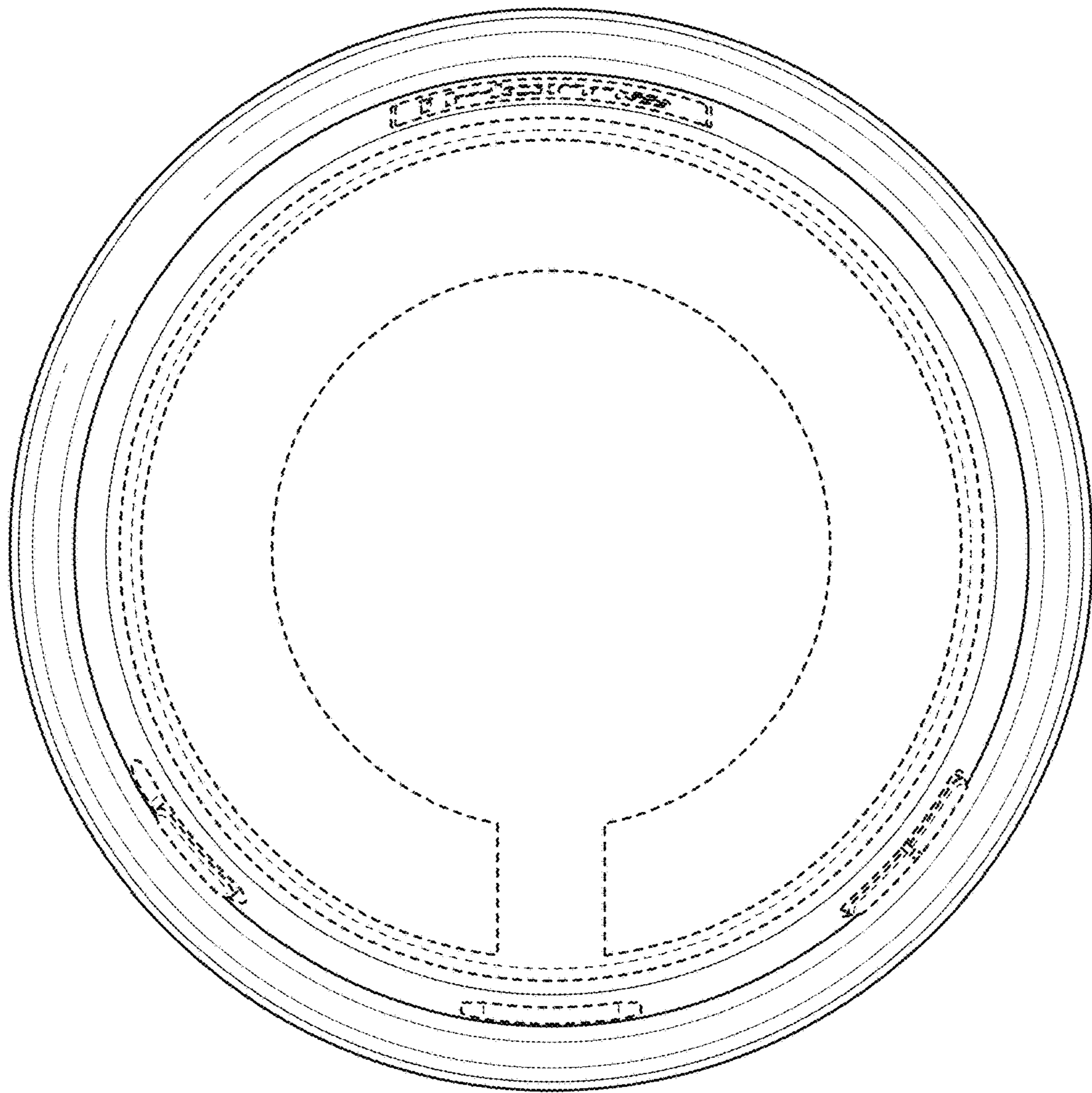


FIG. 7



FIG. 8

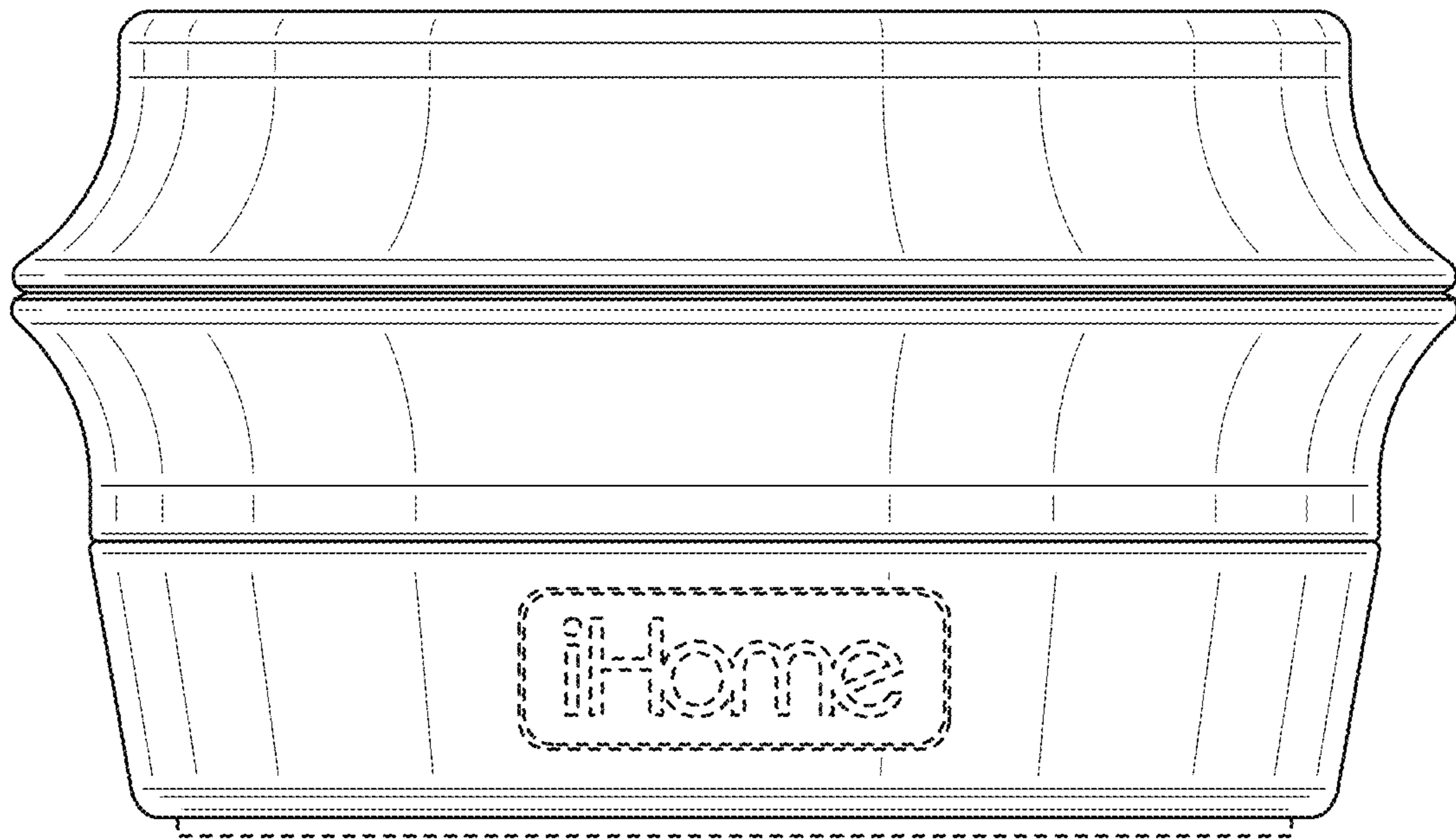


FIG. 9

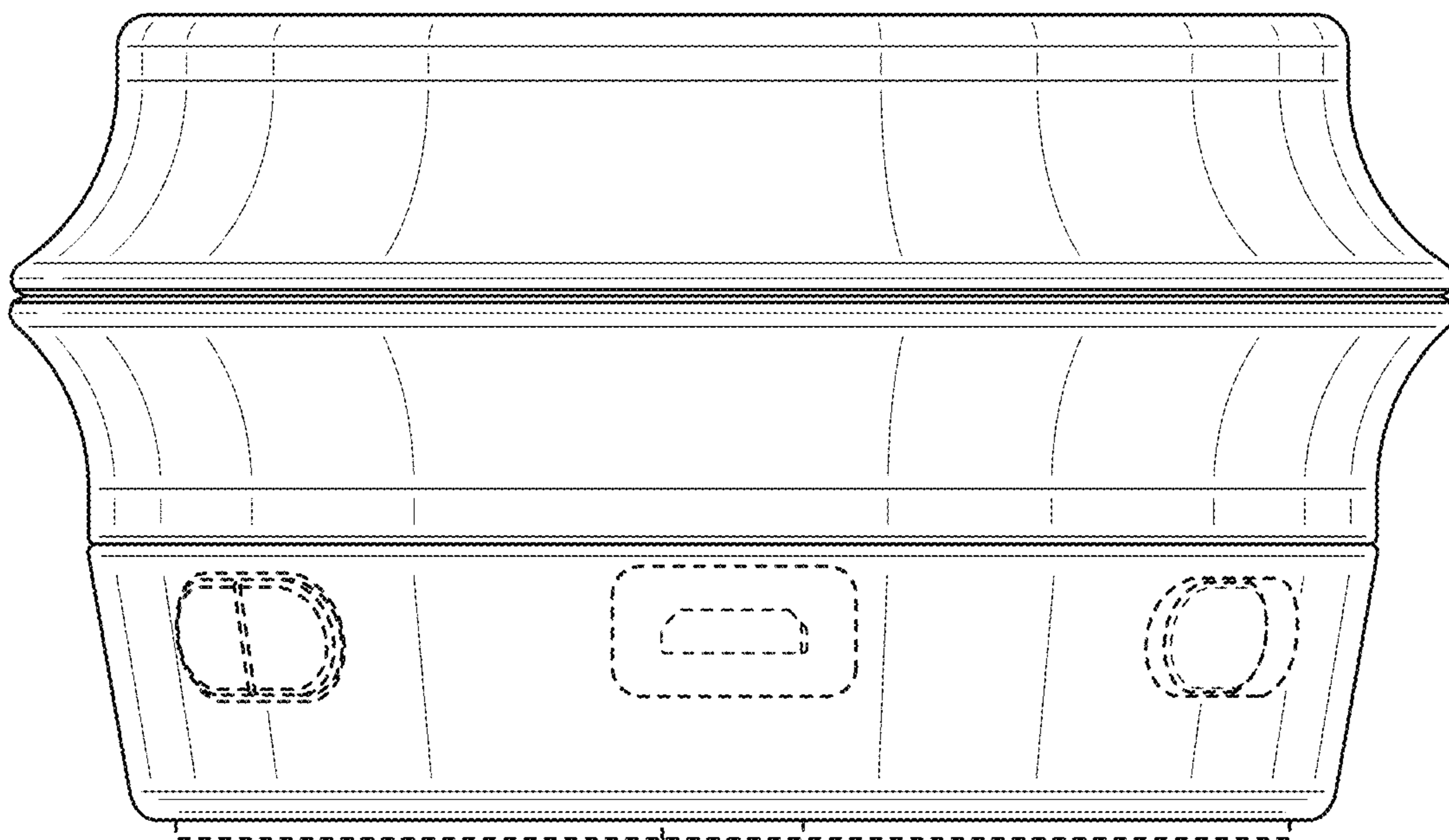


FIG. 10

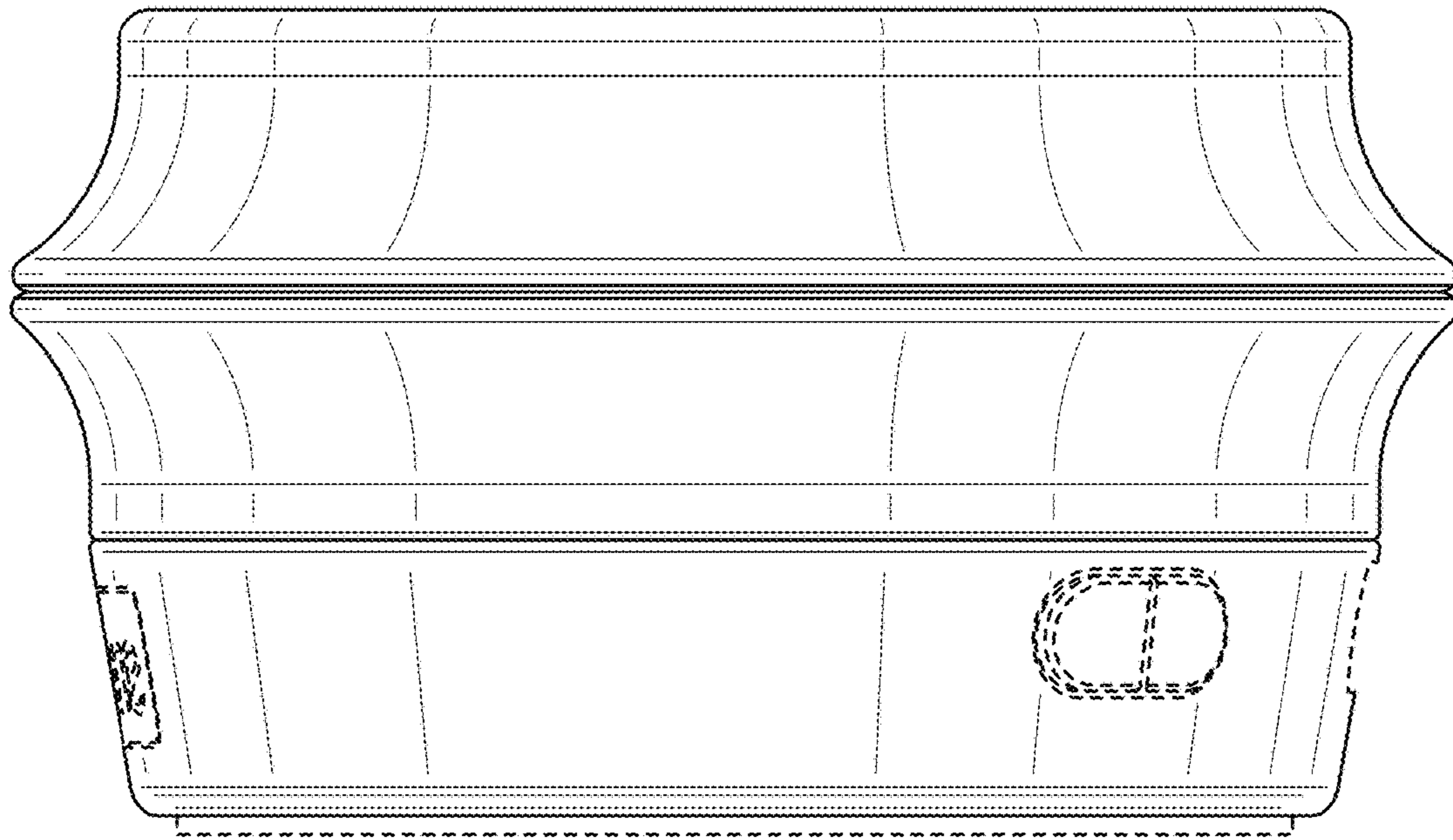


FIG. 11

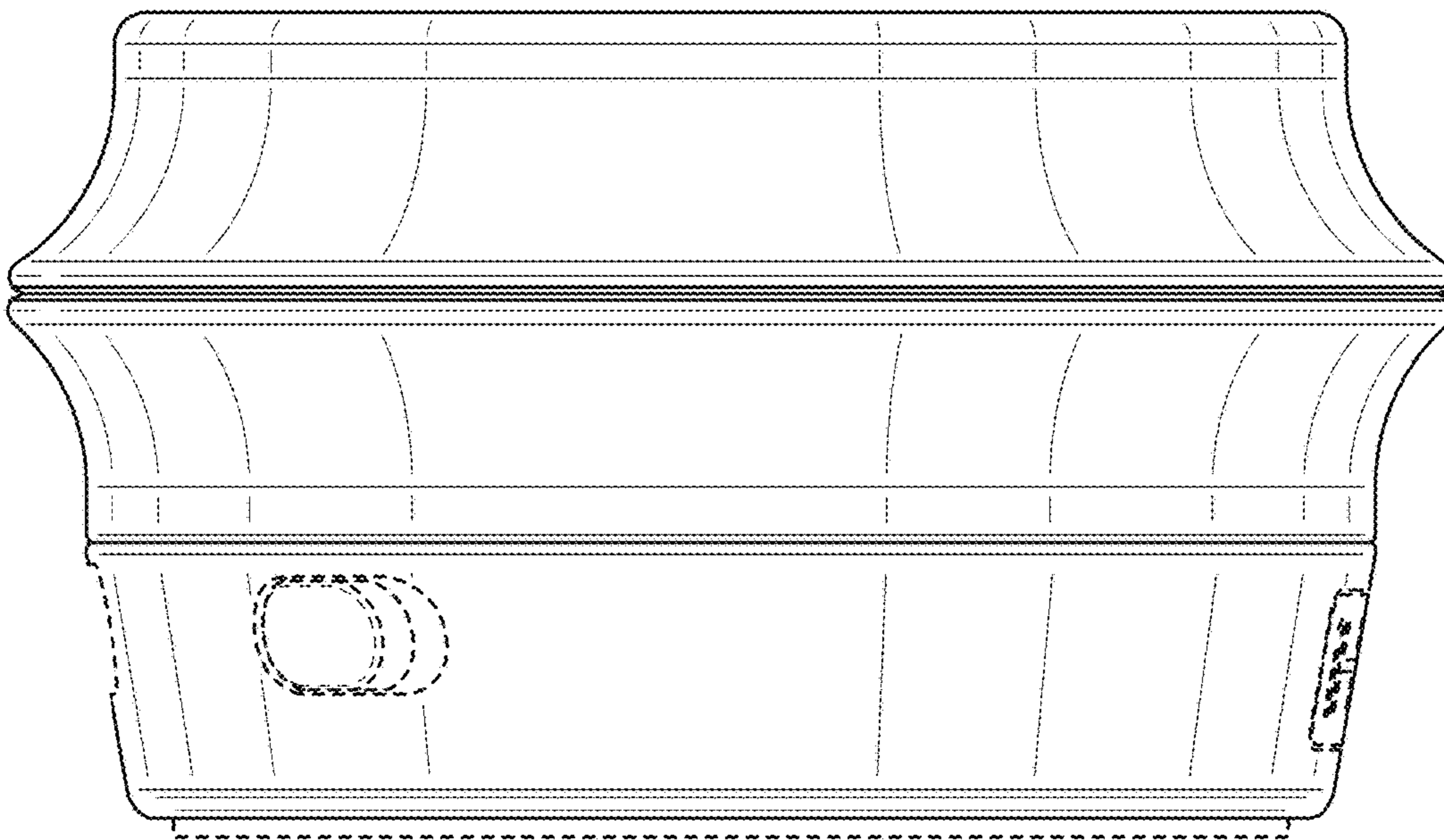


FIG. 12

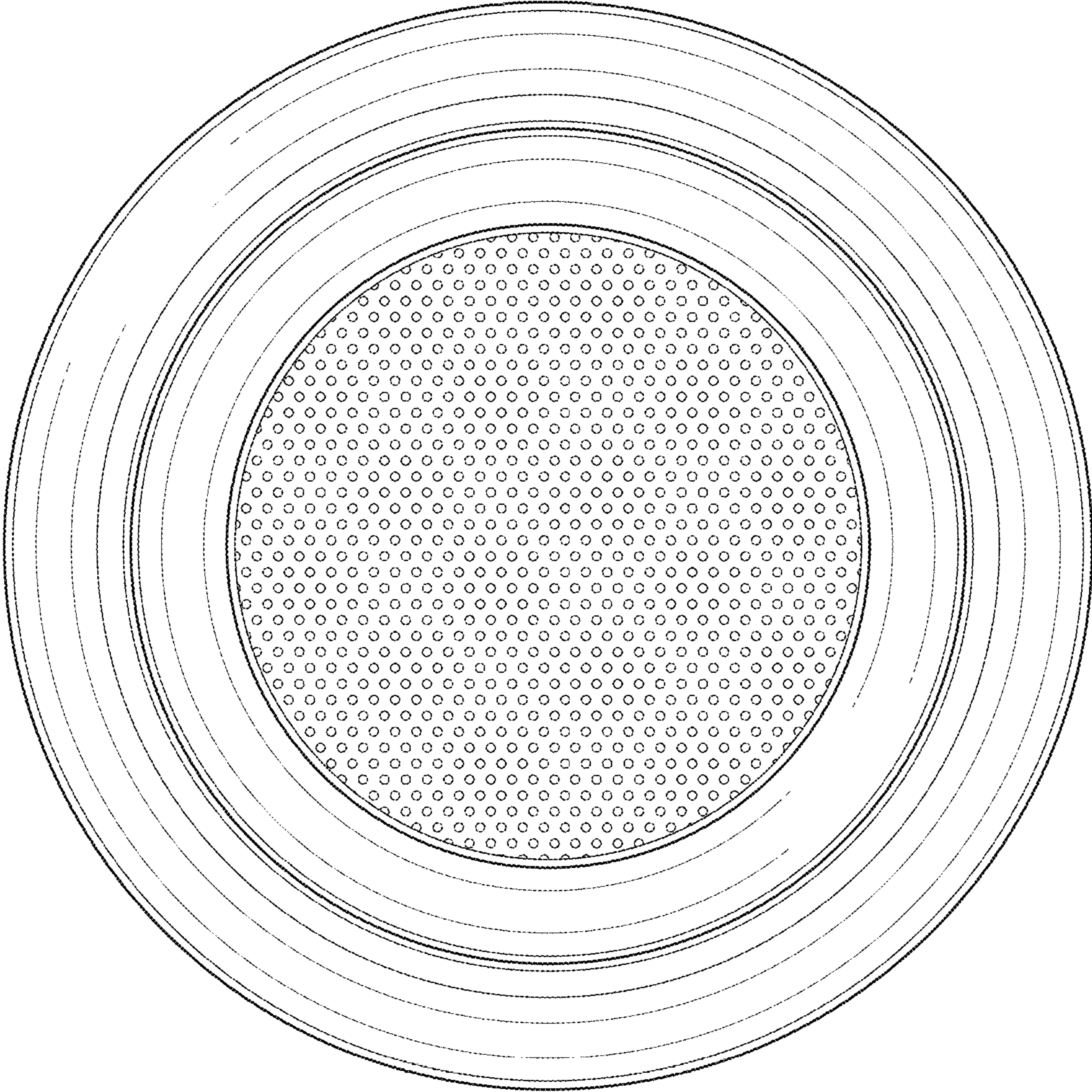


FIG. 13

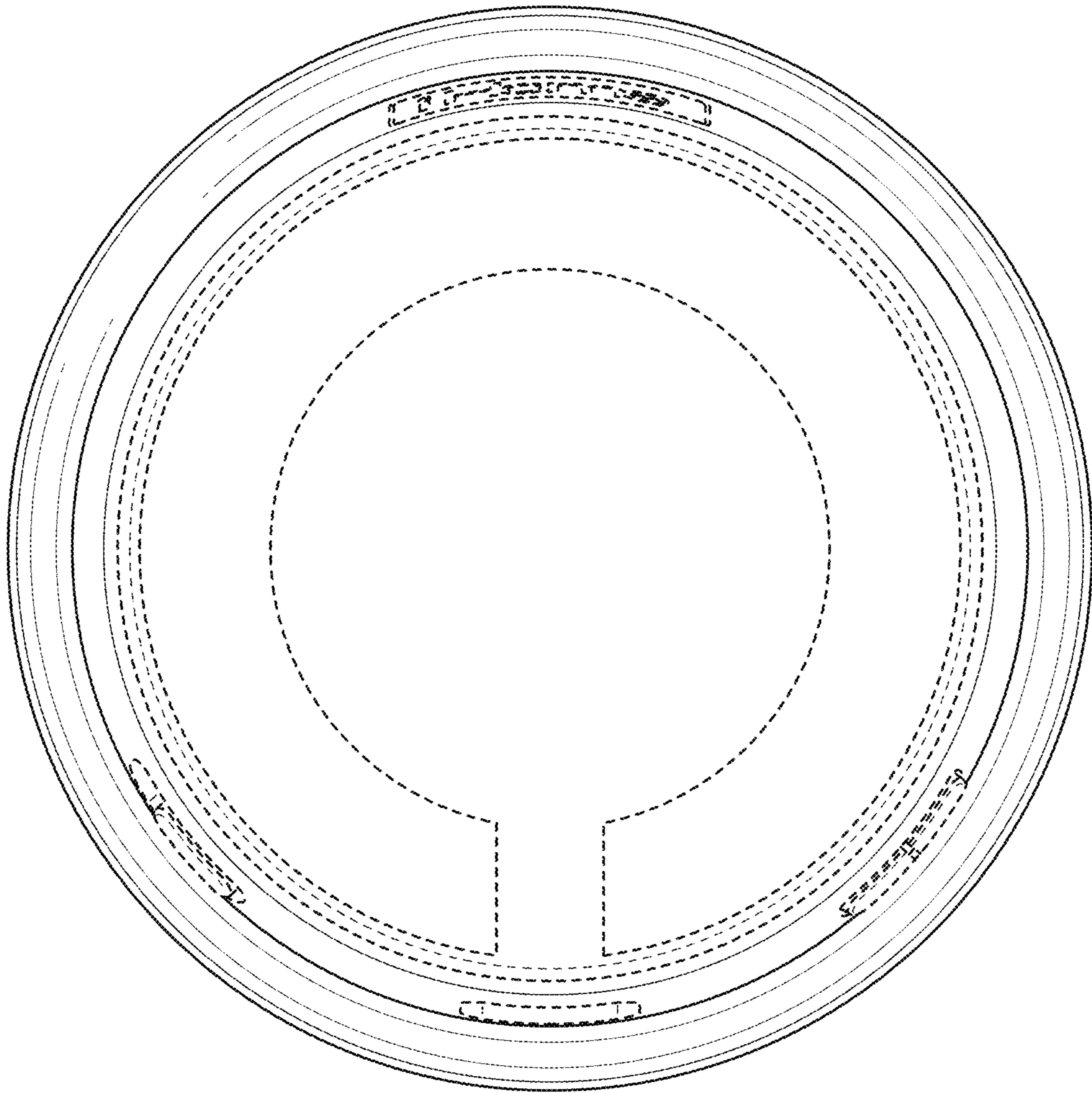


FIG. 14