



US00D807327S

(12) **United States Design Patent**
Xiong

(10) **Patent No.:** **US D807,327 S**

(45) **Date of Patent:** **** Jan. 9, 2018**

(54) **WIRELESS LOUDSPEAKER**

(71) Applicant: **Shijie Xiong**, Shenzhen (CN)

(72) Inventor: **Shijie Xiong**, Shenzhen (CN)

(**) Term: **15 Years**

(21) Appl. No.: **29/574,857**

(22) Filed: **Aug. 19, 2016**

(30) **Foreign Application Priority Data**

Feb. 23, 2016 (CN) 2016 3 0050092

(51) **LOC (11) Cl.** **14-01**

(52) **U.S. Cl.**

USPC **D14/216**; D14/215

(58) **Field of Classification Search**

USPC D14/168, 188, 194, 195, 196, 204, 210,
D14/211, 212, 213, 214, 215, 216

CPC B60R 11/0217; G06F 1/1688; G10K 9/22;

G10K 11/004; H03F 1/327; H04M 1/03;

H04M 1/035; H04N 5/642; H04N

21/4852; H04S 3/00; H04S 7/30; H04R

1/02; H04R 1/06; H04R 1/021; H04R

1/025; H04R 1/026; H04R 1/028; H04R

1/105; H04R 1/323; H04R 1/403; H04R

1/2803; H04R 1/2834; H04R 5/02; H04R

7/20; H04R 9/06; H04R 9/025; H04R

2201/021; H04R 2400/00; H04R 2400/07;

H04R 2499/11; H04R 2499/13; H04R

2499/15

See application file for complete search history.

(56) **References Cited**

U.S. PATENT DOCUMENTS

D315,562 S * 3/1991 Brown D14/213

D382,307 S * 8/1997 Sharpe, III D14/188

D489,706 S * 5/2004 Chen D14/195

D636,760 S * 4/2011 Cheng D14/216

D717,770 S * 11/2014 Yamamoto D14/216

D719,138 S * 12/2014 Schwartz D14/216

D728,521 S * 5/2015 Zhang D14/216

D728,525 S * 5/2015 Zhang D14/216

D735,164 S * 7/2015 Lin D14/216

D737,249 S * 8/2015 Zhao D14/216

D742,359 S * 11/2015 Zhao D14/216

D752,014 S * 3/2016 Bolmstrand D14/204

D752,551 S * 3/2016 Wong D14/216

9,351,066 B2 * 5/2016 Walter H04R 1/2811

D758,989 S * 6/2016 Vogt, Jr. D14/204

D760,697 S * 7/2016 Zhao D14/216

OTHER PUBLICATIONS

ThunderingSound.com—Portable Speakers, announced Nov. 15, 2015 [online], [site visited Jun. 26, 2017]. Available from internet, URL: <<https://thunderingsound.com/fun-accessories-for-portable-speakers/>>.*

(Continued)

Primary Examiner — Keli L Hill

Assistant Examiner — Karra S Johnson

(57)

CLAIM

The ornamental design for a wireless loudspeaker, as shown and described.

DESCRIPTION

FIG. 1 is a front view of a wireless loudspeaker showing my new design;

FIG. 2 is a rear view thereof;

FIG. 3 is a left side view thereof;

FIG. 4 is a right side view thereof;

FIG. 5 is a top plan view thereof;

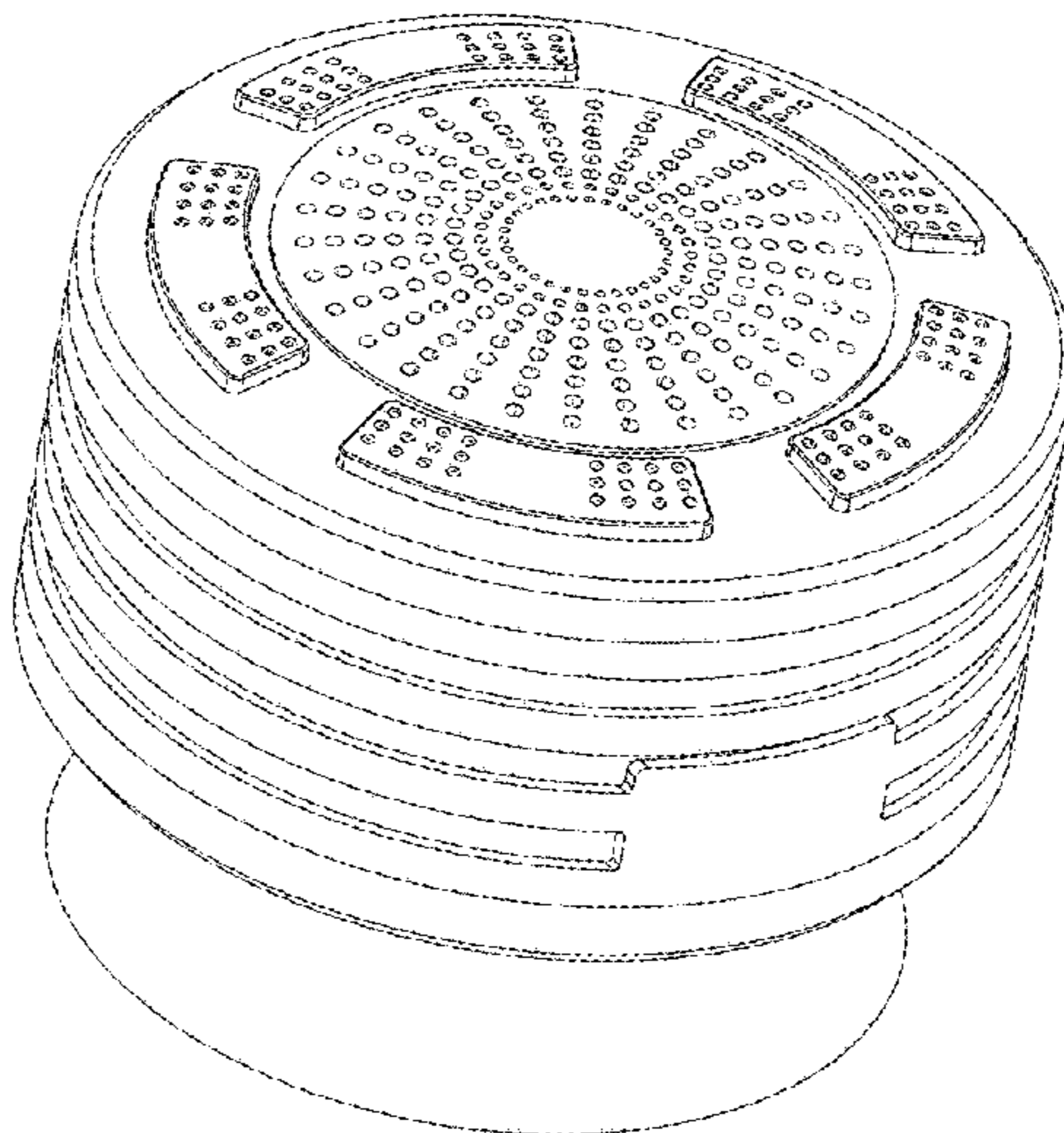
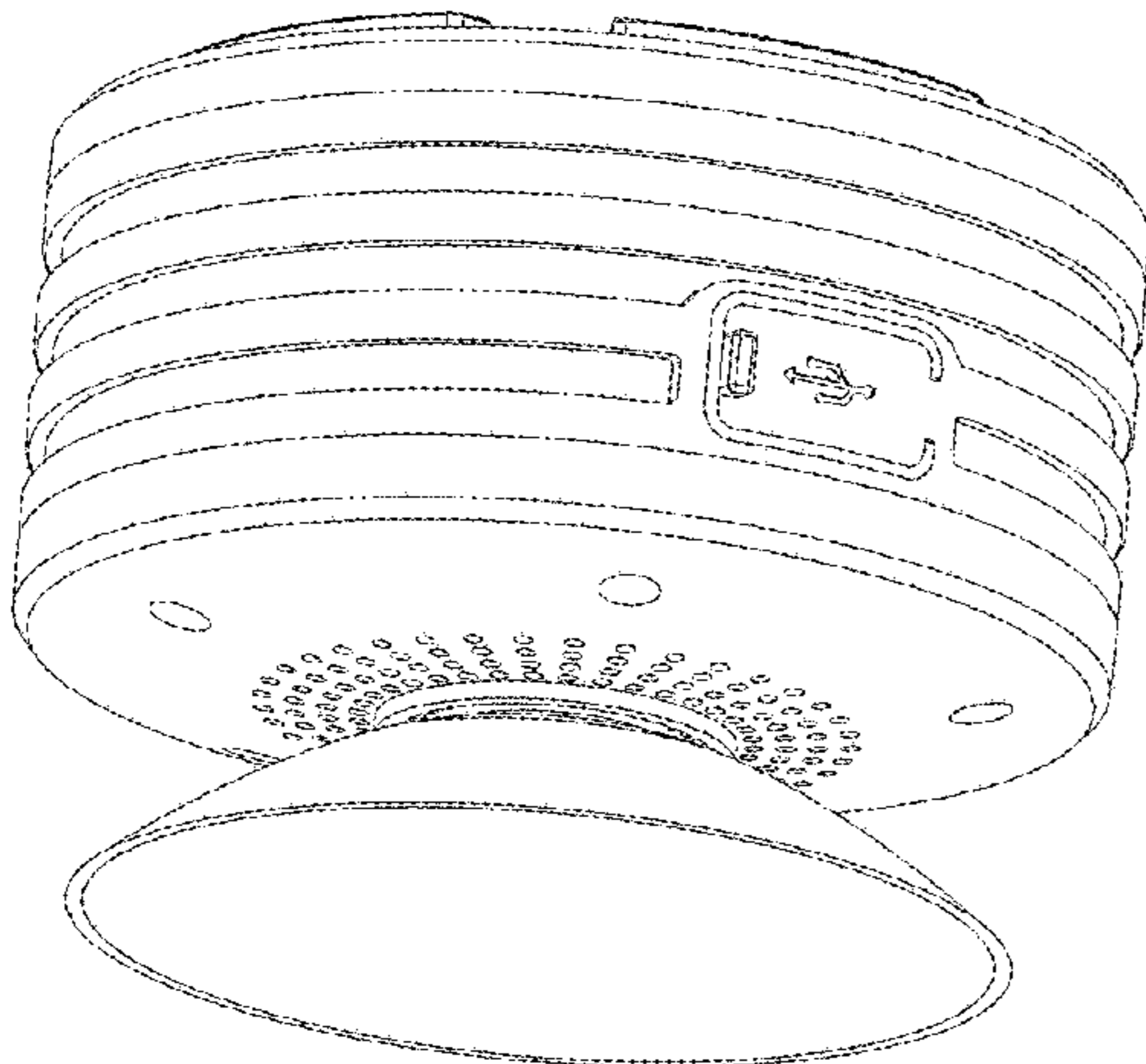
FIG. 6 is a bottom plan view thereof;

FIG. 7 is a front perspective view thereof; and,

FIG. 8 is a rear perspective view thereof.

The broken lines shown are included for the purpose of illustrating portions of the wireless loudspeaker that form no part of the claim.

1 Claim, 8 Drawing Sheets



(56)

References Cited

U.S. PATENT DOCUMENTS

D768,113 S * 10/2016 Lee D14/216
D782,441 S * 3/2017 Morrison D14/204
2013/0129120 A1* 5/2013 Chen H04R 1/025
381/189
2014/0064535 A1* 3/2014 Zhao H04R 1/021
381/332

OTHER PUBLICATIONS

YouTube—Taotronics Speaker, announced Feb. 15, 2016 [online], [site visited Jun. 26, 2017]. Available from internet, URL: <https://www.youtube.com/watch?v=2V_ps78o6FY>.*

ShowerRadio.net—Shower Speakers, announced Sep. 16, 2016 [online], [site visited Jun. 26, 2017]. Available from internet, URL: <<http://www.showerradio.net/shower-speakers-aolaifo-ip67-waterproof-bluetooth-4-0-portable-wireless-speaker-with-suction-cup-5w-driver-build-in-microphone-for-hands-free-fm-radio-multiple-color-led-light-functions/>>.*

* cited by examiner

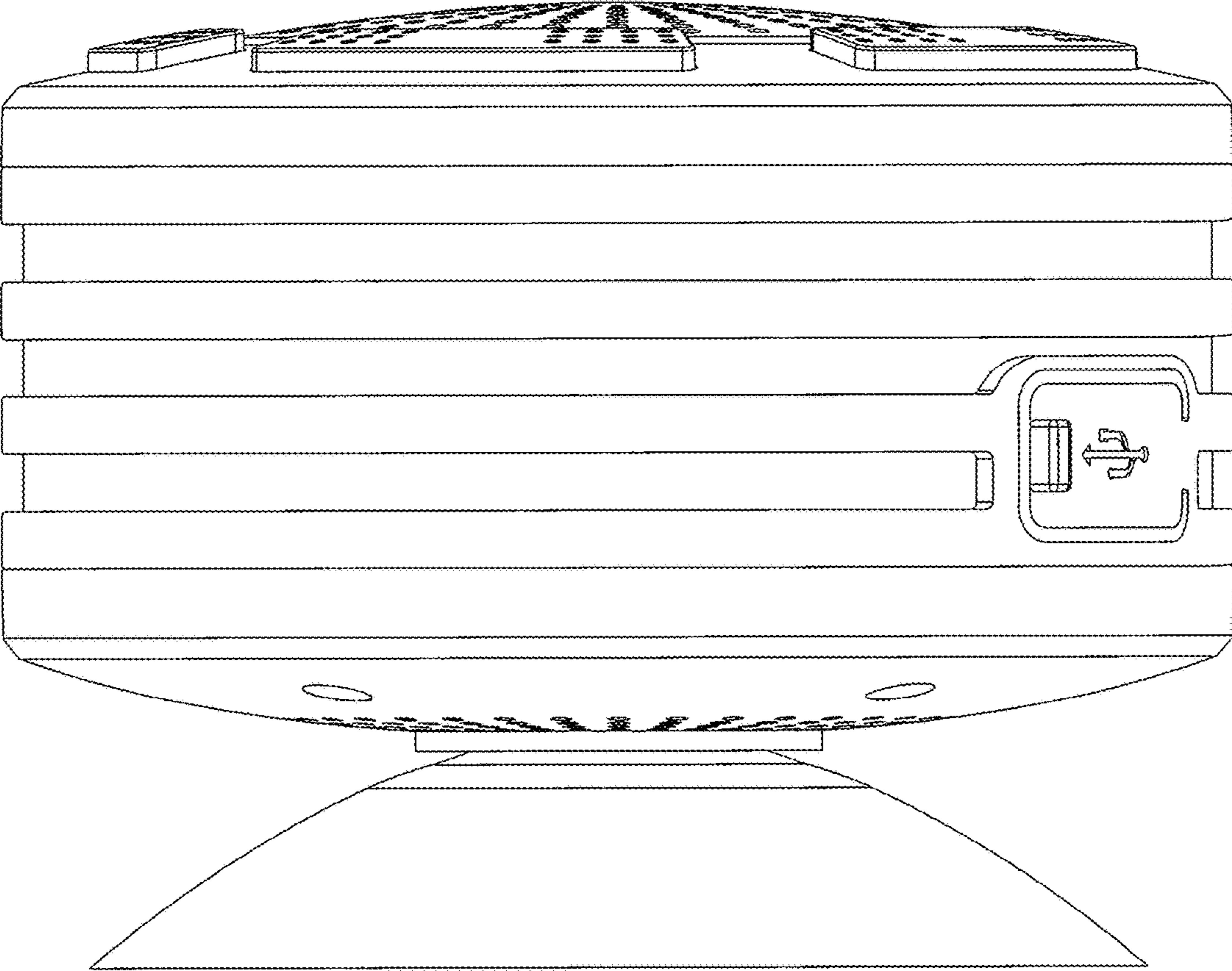


FIG. 1

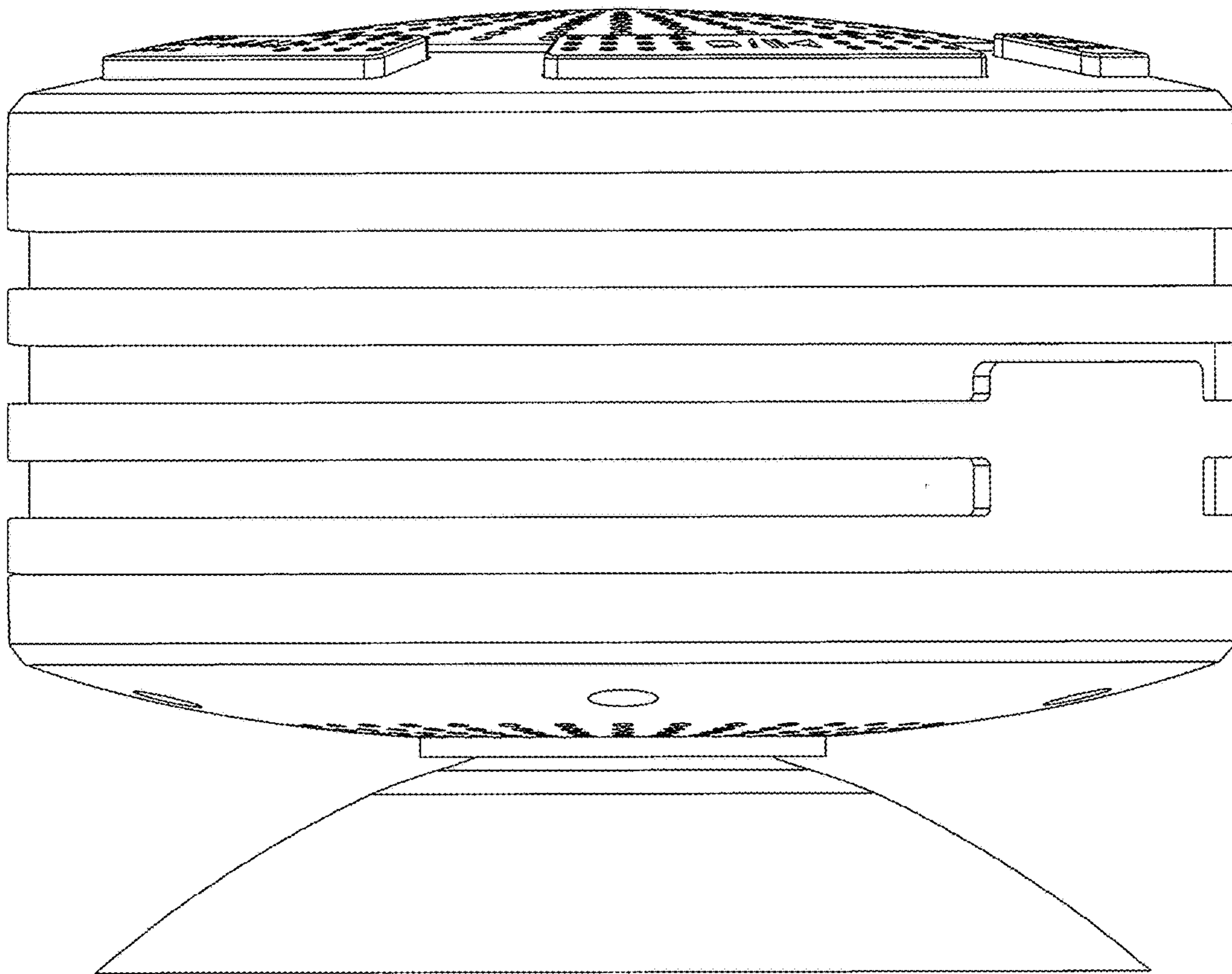


FIG. 2

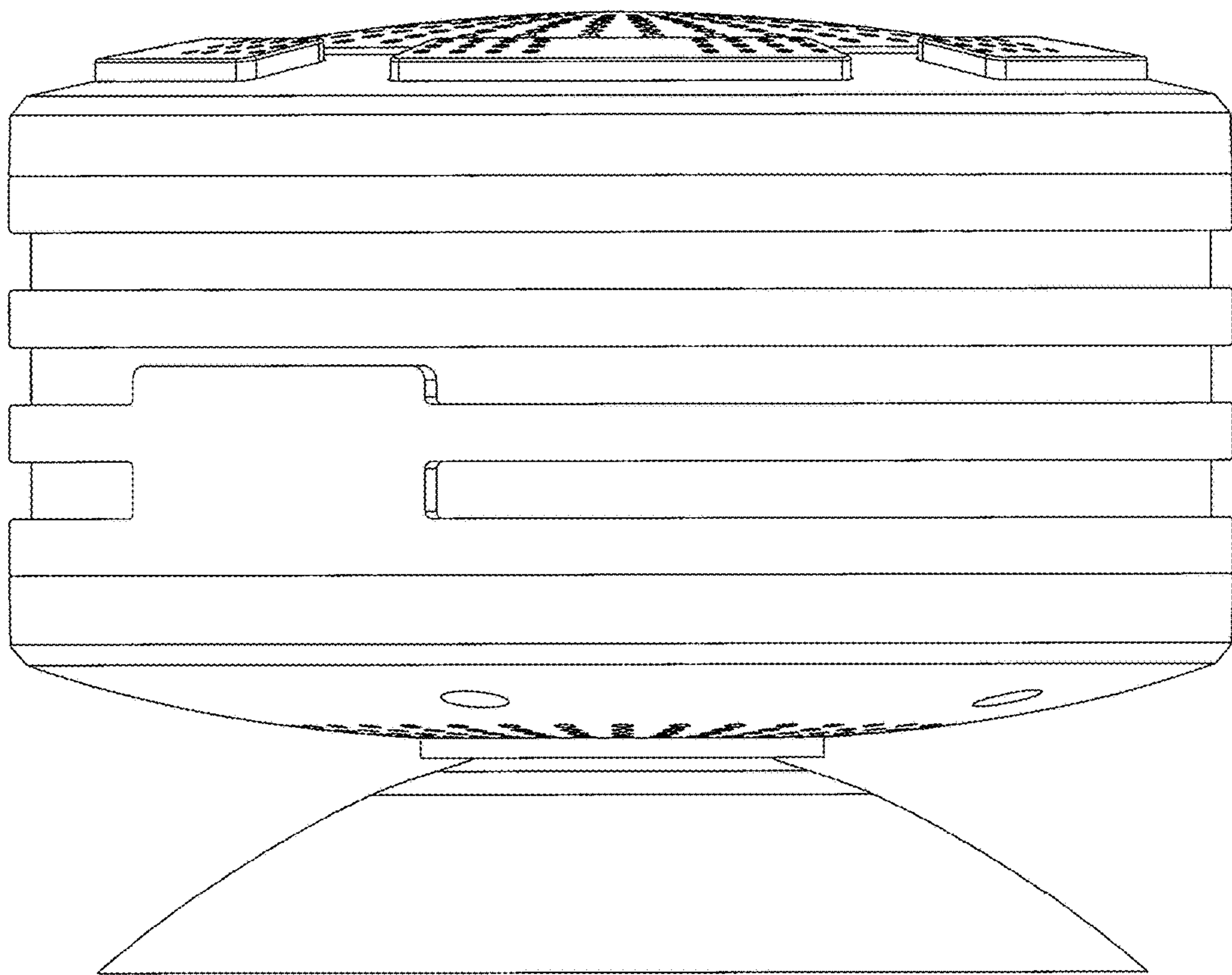


FIG. 3

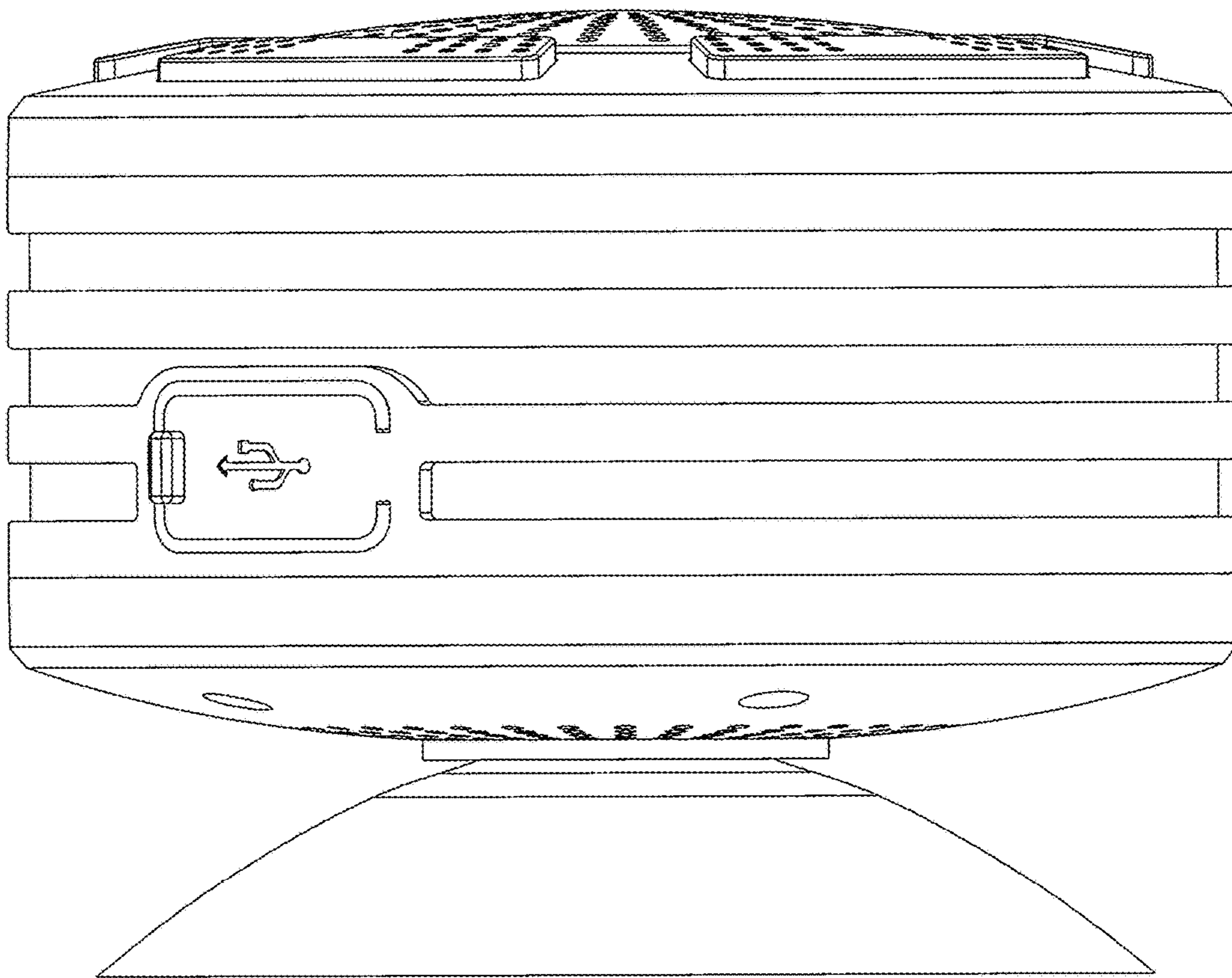


FIG. 4

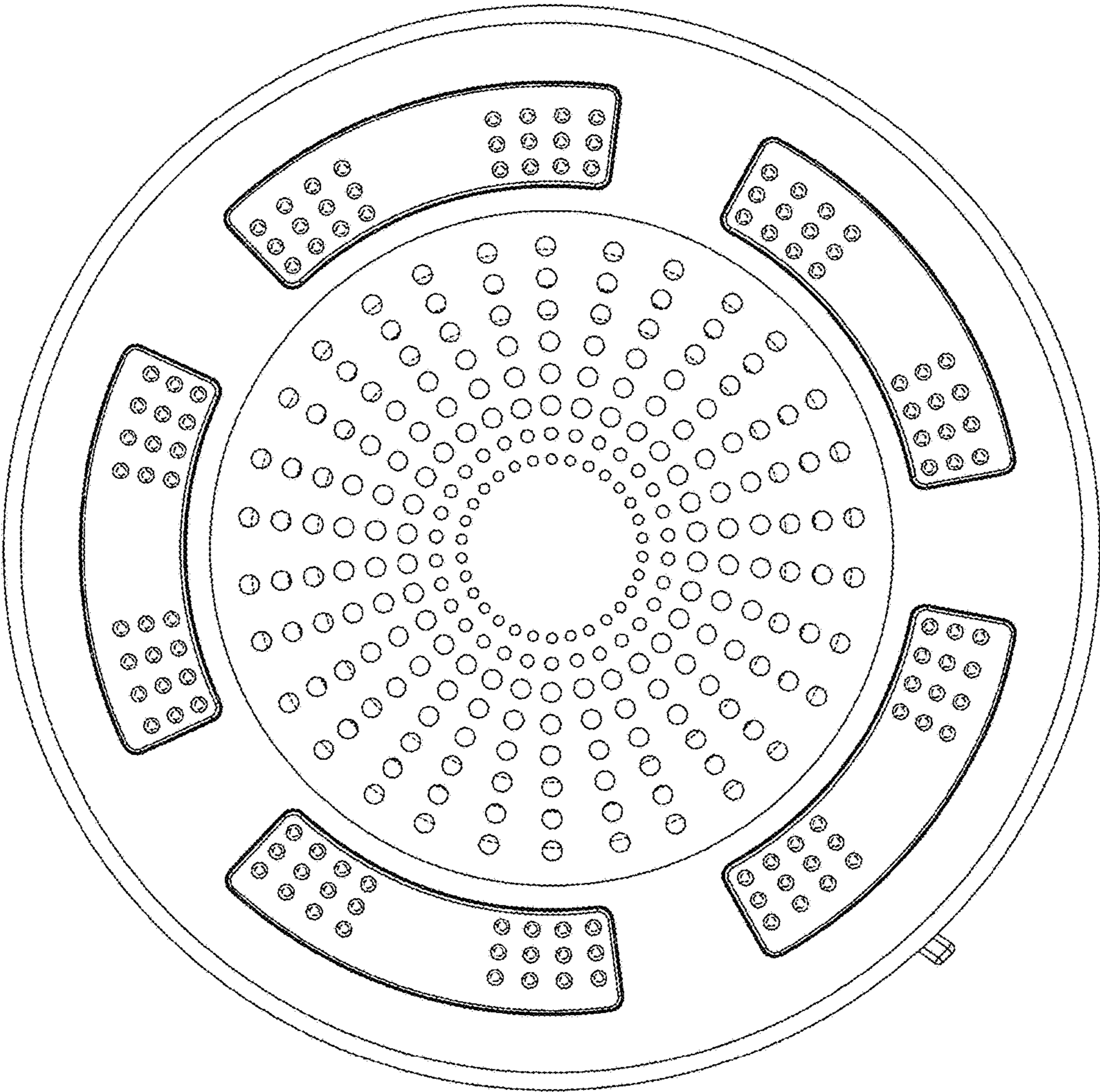


FIG. 5

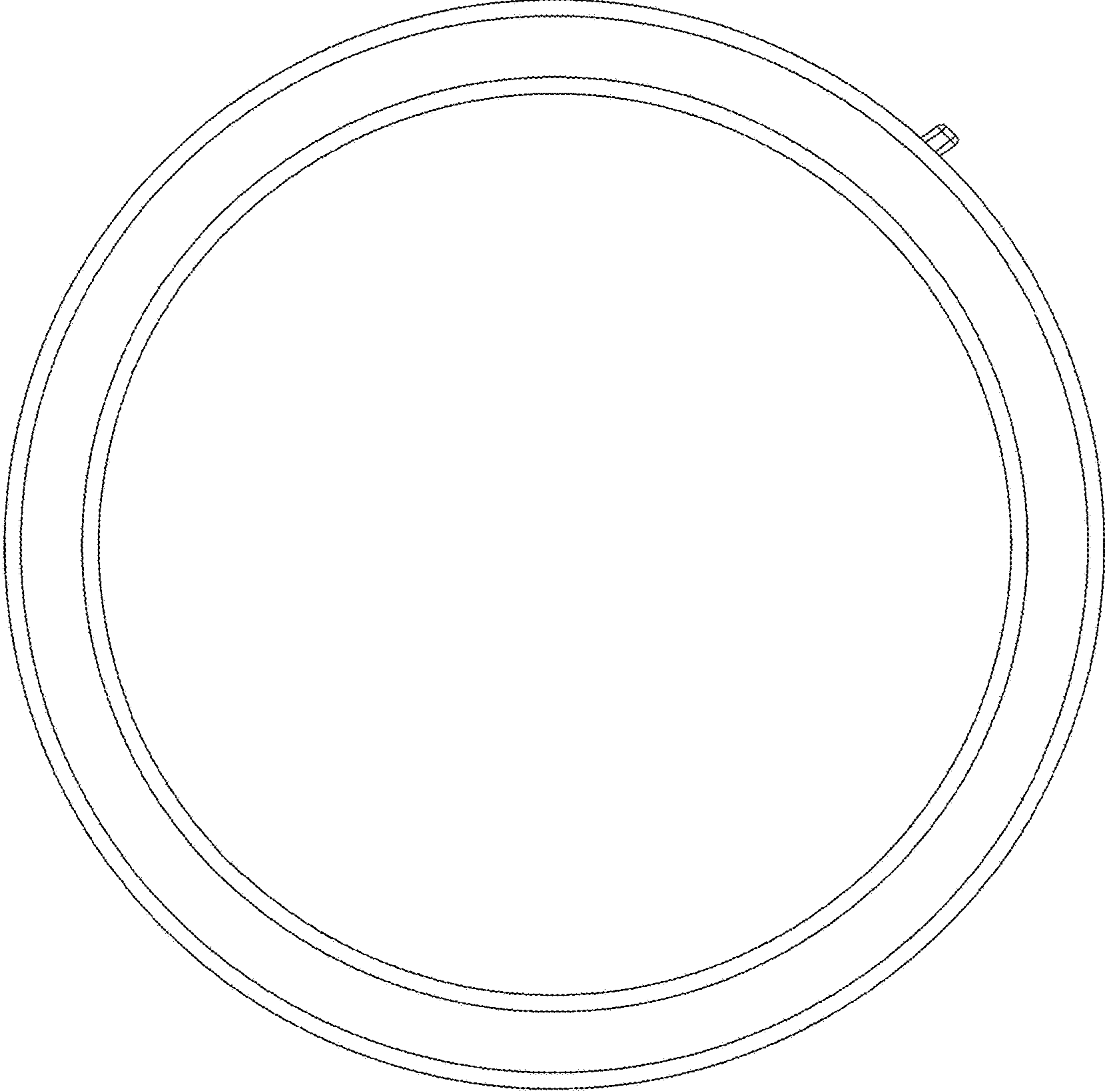


FIG. 6

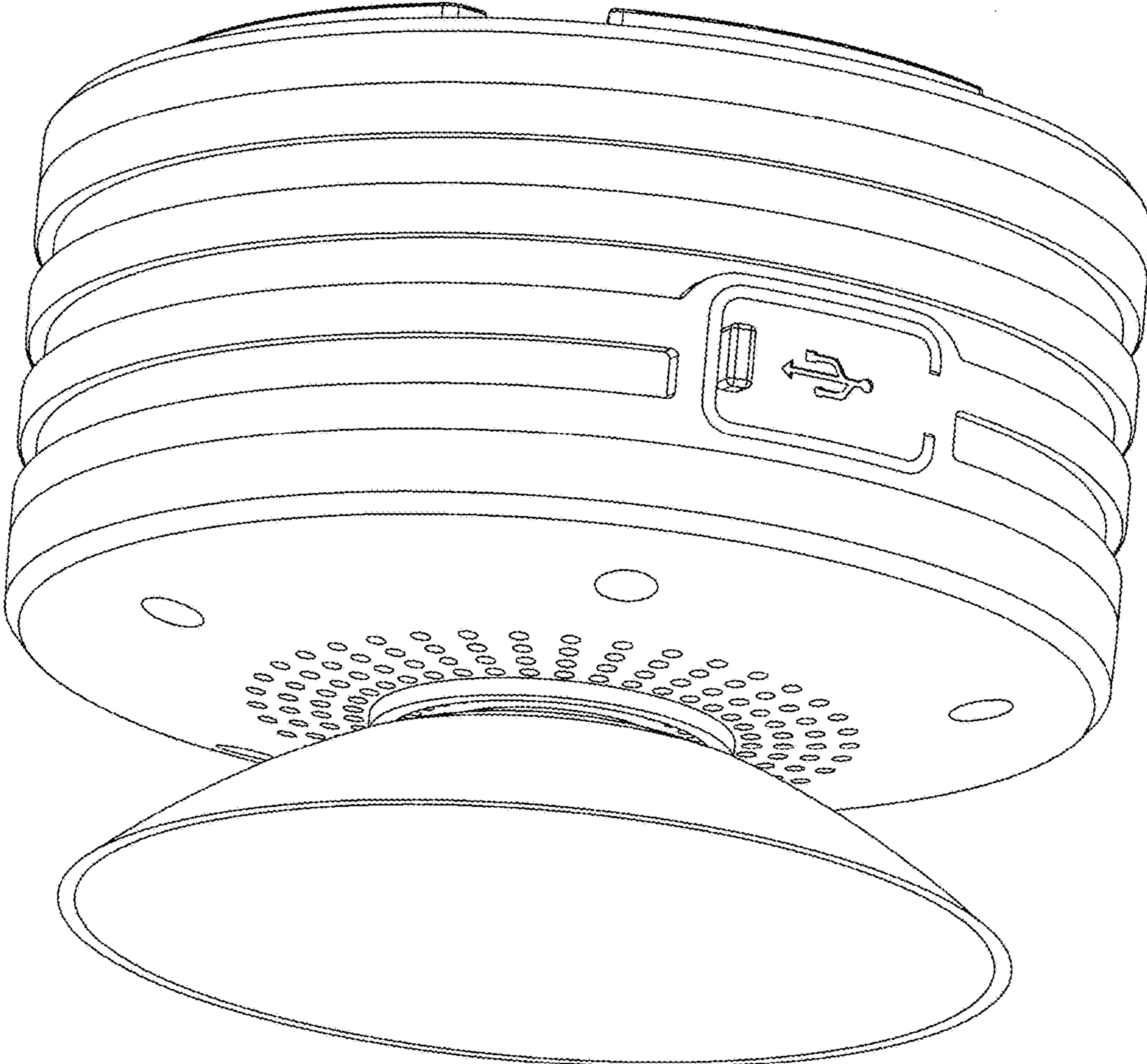


FIG. 7

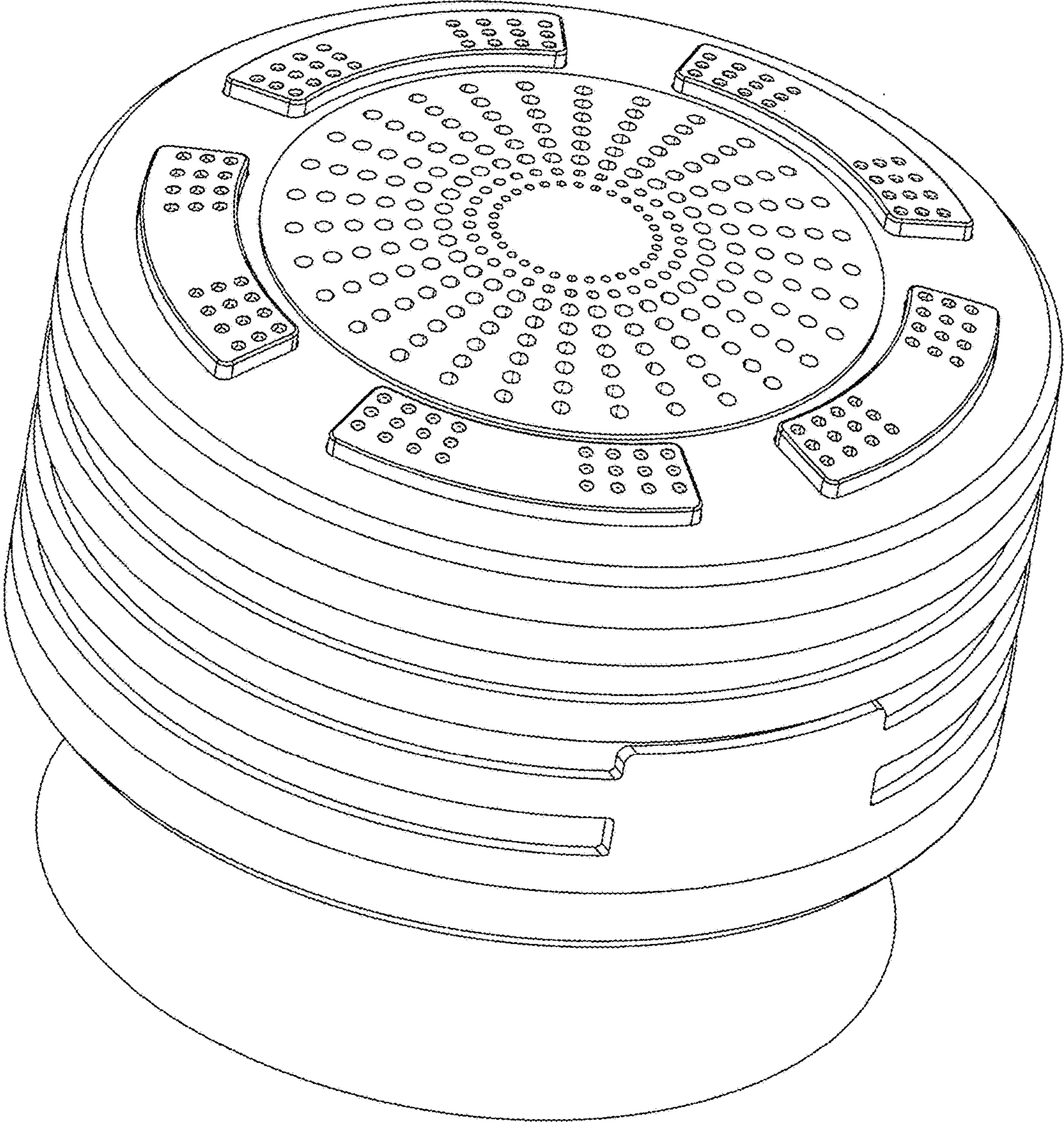


FIG. 8