



US00D807325S

(12) **United States Design Patent**
Ohmachi

(10) **Patent No.:** **US D807,325 S**

(45) **Date of Patent:** **** Jan. 9, 2018**

(54) **SPEAKER**

(71) Applicant: **Yamaha Corporation**, Shizuoka (JP)

(72) Inventor: **Takenori Ohmachi**, Shizuoka (JP)

(73) Assignee: **Yamaha Corporation**, Shizuoka (JP)

(**) Term: **15 Years**

(21) Appl. No.: **29/570,886**

(22) Filed: **Jul. 13, 2016**

(30) **Foreign Application Priority Data**

Jan. 19, 2016 (JP) 2016-000862

(51) **LOC (11) Cl.** **14-01**

(52) **U.S. Cl.**
USPC **D14/214; D14/210**

(58) **Field of Classification Search**

USPC D14/168, 188, 194, 195, 196, 204, 210,
D14/211, 212, 213, 214, 215, 216
CPC B60R 11/0217; G06F 1/1688; G10K 9/22;
G10K 11/004; H03F 1/327; H04M 1/03;
H04M 1/035; H04N 5/642; H04N
21/4852; H04S 3/00; H04S 7/30; H04R
1/02; H04R 1/06; H04R 1/021; H04R
1/025; H04R 1/026; H04R 1/028; H04R
1/105; H04R 1/323; H04R 1/403; H04R
1/2803; H04R 1/2834; H04R 5/02; H04R
7/20; H04R 9/06; H04R 9/025; H04R
2201/021; H04R 2400/00; H04R 2400/07;
H04R 2499/11; H04R 2499/13; H04R
2499/15

See application file for complete search history.

(56) **References Cited**

U.S. PATENT DOCUMENTS

D222,476 S * 10/1971 Ohyama D14/210
D332,607 S * 1/1993 Yamazaki D14/210
D381,989 S * 8/1997 Chang D14/214

D387,058 S * 12/1997 Nudell D14/214
D425,510 S * 5/2000 Dietz D14/207
D440,220 S * 4/2001 Dunk D14/211
D462,065 S * 8/2002 Silverstein D14/214
D464,641 S * 10/2002 Liu D14/214
D516,542 S * 3/2006 Kang D14/214
D521,495 S * 5/2006 Sogabe D14/214
D521,496 S * 5/2006 Sogabe D14/214
D542,270 S * 5/2007 Jenkins D14/214
D547,746 S * 7/2007 Allen D14/211
D552,078 S * 10/2007 Sogabe D14/211
D562,800 S * 2/2008 Kim D14/211

(Continued)

OTHER PUBLICATIONS

Amazon—Yamaha VXS5W, announced Oct. 14, 2013 [online],
[site visited Jun. 23, 2017]. Available from internet, URL: <https://
www.amazon.com/Yamaha-VXS5W-VXS-Surface-Speaker/dp/
B011D03QWE>.*

(Continued)

Primary Examiner — Keli L Hill

Assistant Examiner — Karra S Johnson

(74) *Attorney, Agent, or Firm* — McDonald Hopkins LLC

(57) **CLAIM**

The ornamental design for a speaker, as shown and described.

DESCRIPTION

FIG. 1 is a perspective view of a speaker showing my new design;

FIG. 2 is a front view thereof;

FIG. 3 is a rear view thereof;

FIG. 4 is a top view thereof;

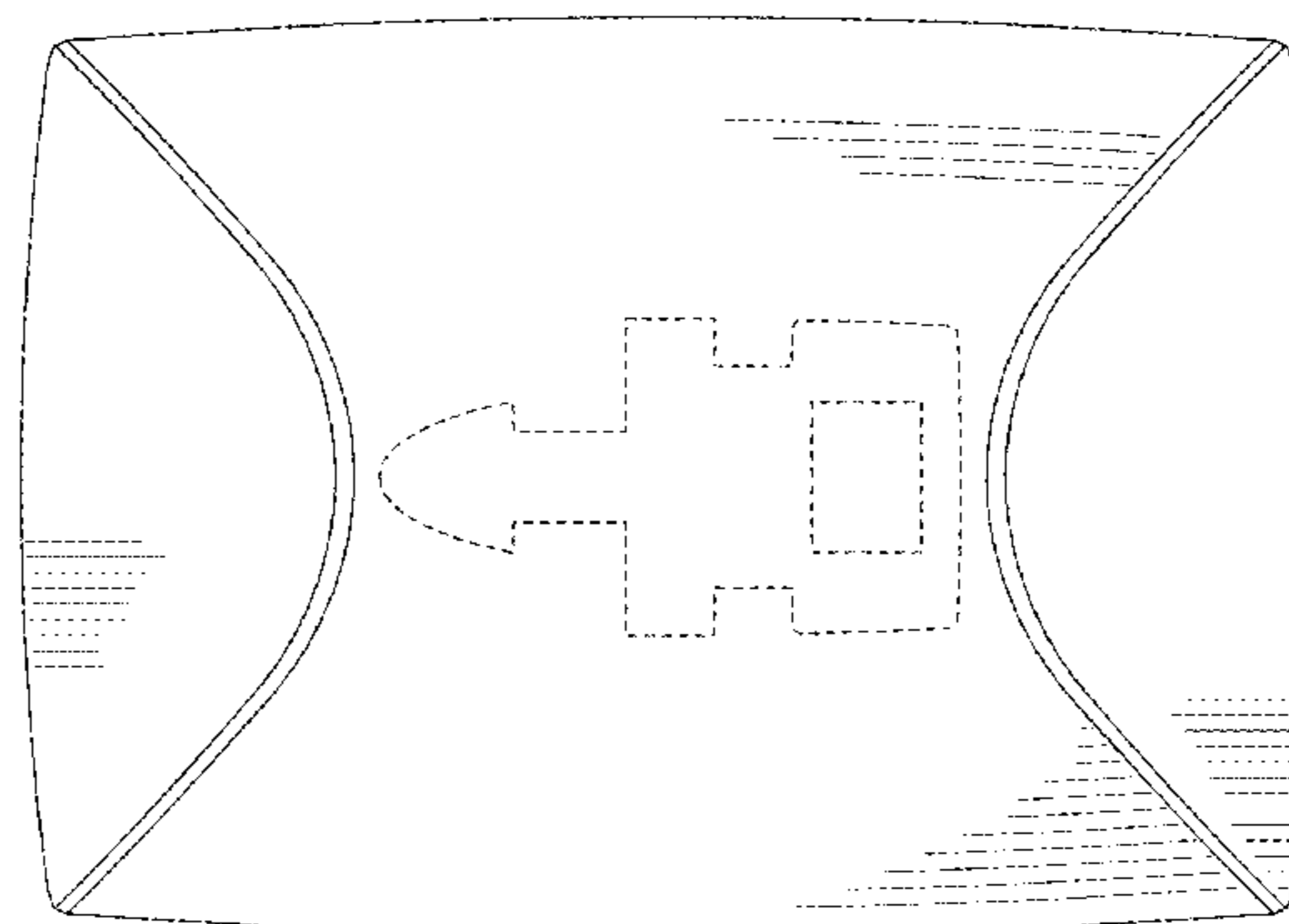
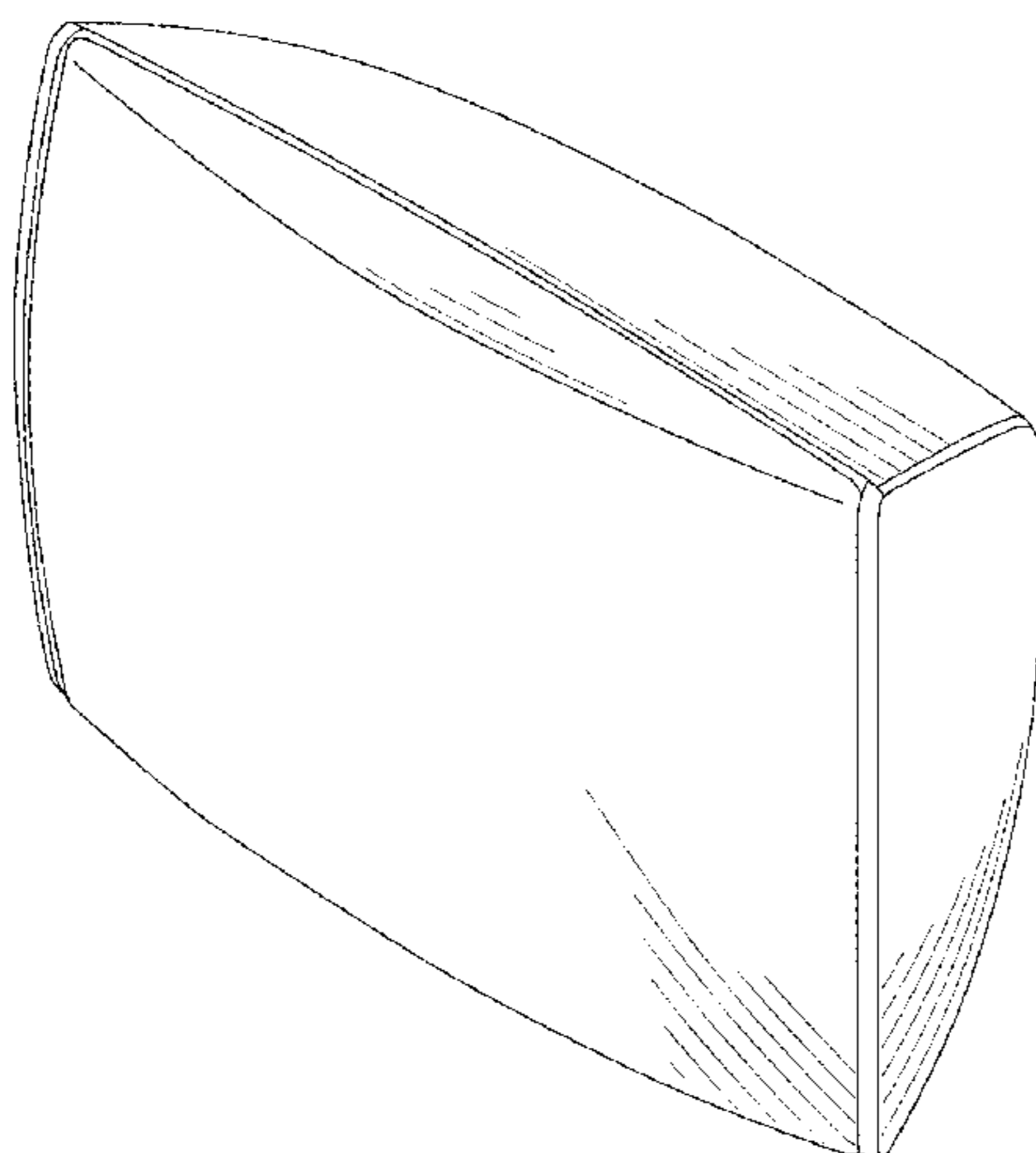
FIG. 5 is a bottom view thereof;

FIG. 6 is a right view thereof; and,

FIG. 7 is a left view thereof.

The broken lines shown are included for the purpose of illustrating portions of the speaker that form no part of the claim.

1 Claim, 7 Drawing Sheets



(56)

References Cited

U.S. PATENT DOCUMENTS

D626,114 S * 10/2010 Hao D14/215
D674,779 S * 1/2013 Joseph D14/214
D739,380 S * 9/2015 Bolton D14/214
D742,854 S * 11/2015 Warden D14/204
D755,157 S * 5/2016 Redmon D14/204

OTHER PUBLICATIONS

The Verge—Sonos Play 3, announced Oct. 12, 2011 [online], [site visited Jun. 23, 2017]. Available from internet, URL: <<https://www.theverge.com/2011/10/12/2481479/sonos-play-3-review>>.*

YouTube—VXS3F, announced Feb. 7, 2016 [online], [site visited Jun. 23, 2017]. Available from internet, URL: <https://www.youtube.com/watch?v=Nr_96W_5l>.*

* cited by examiner

Fig. 1

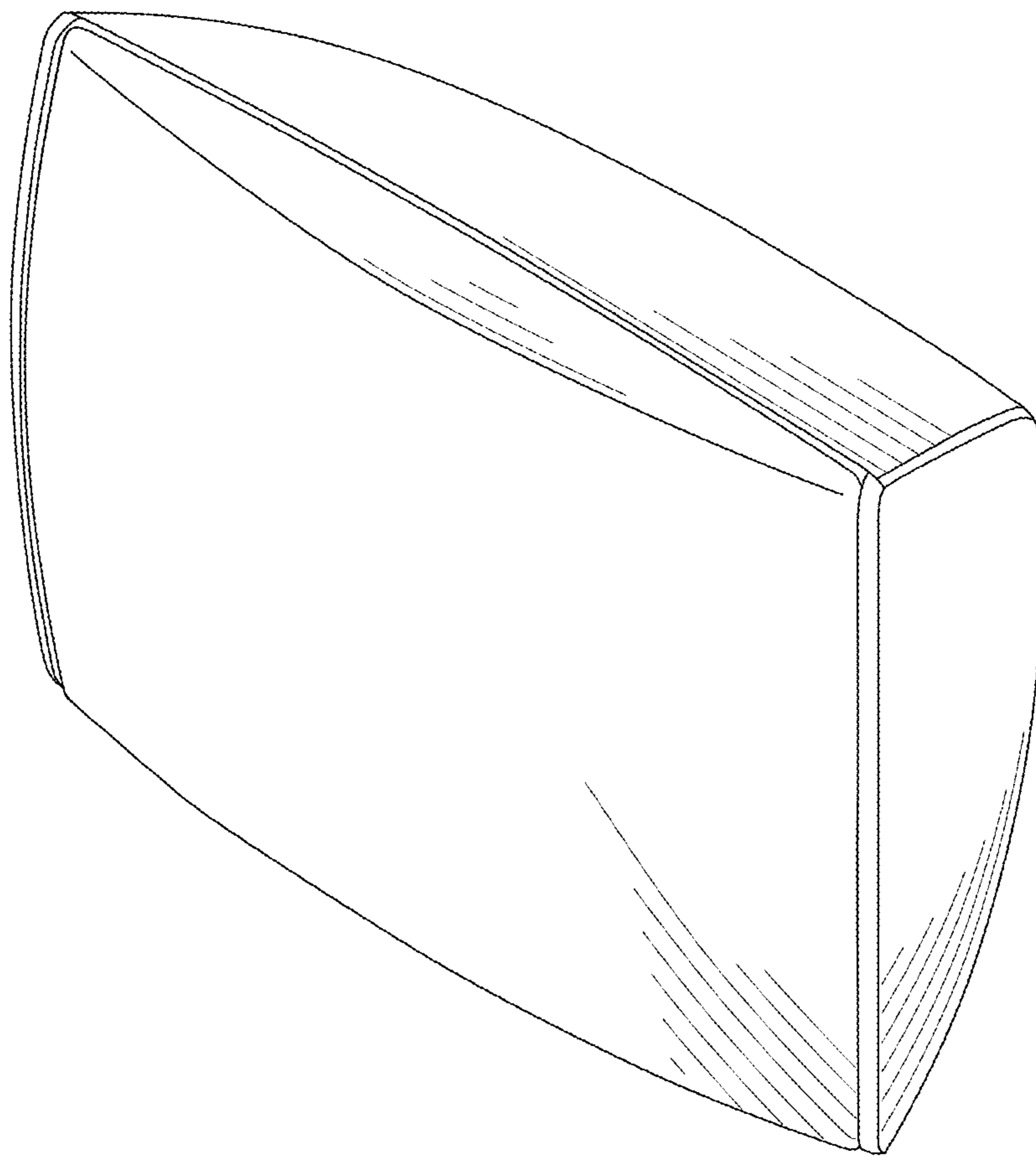


Fig.2

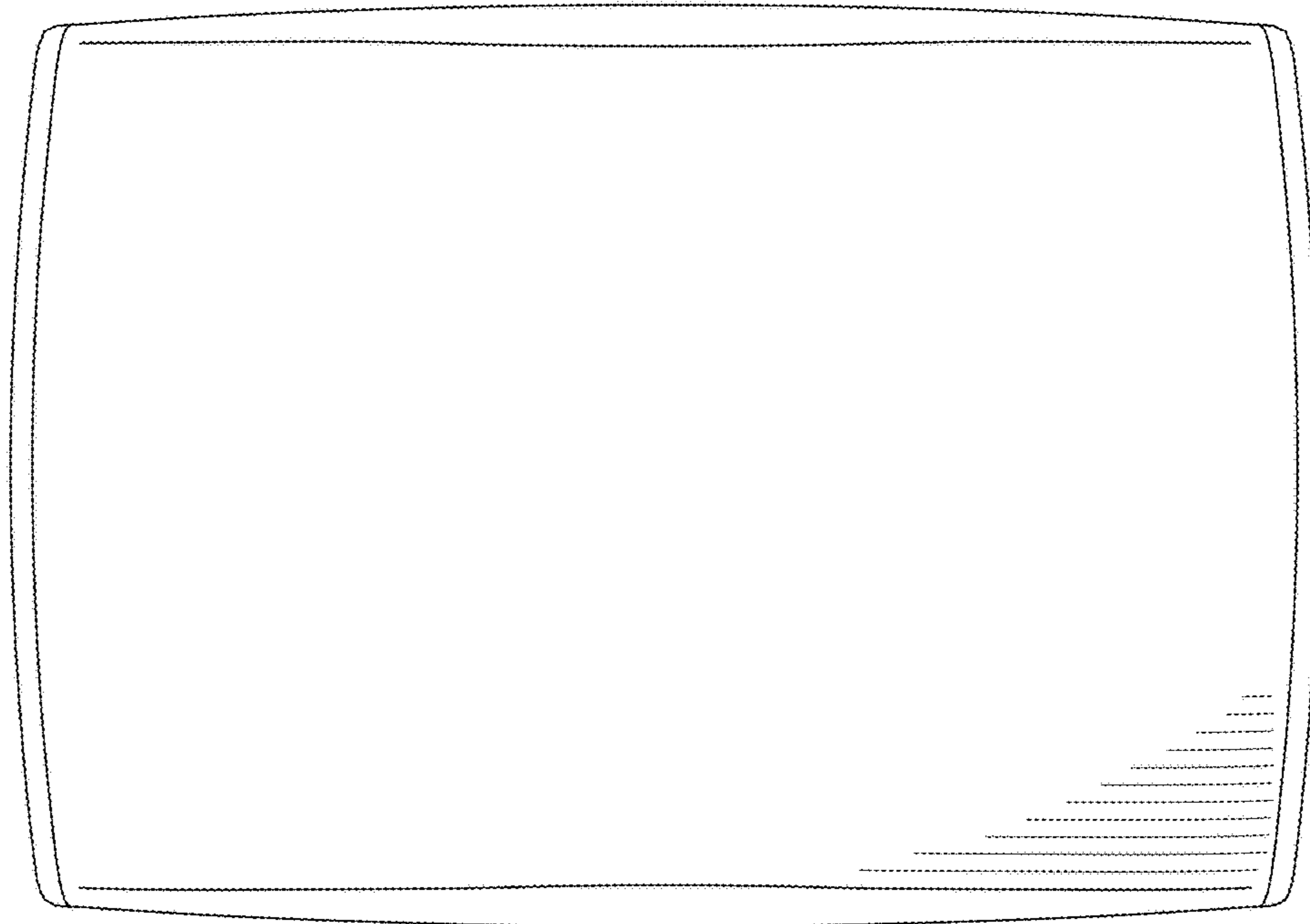


Fig.3

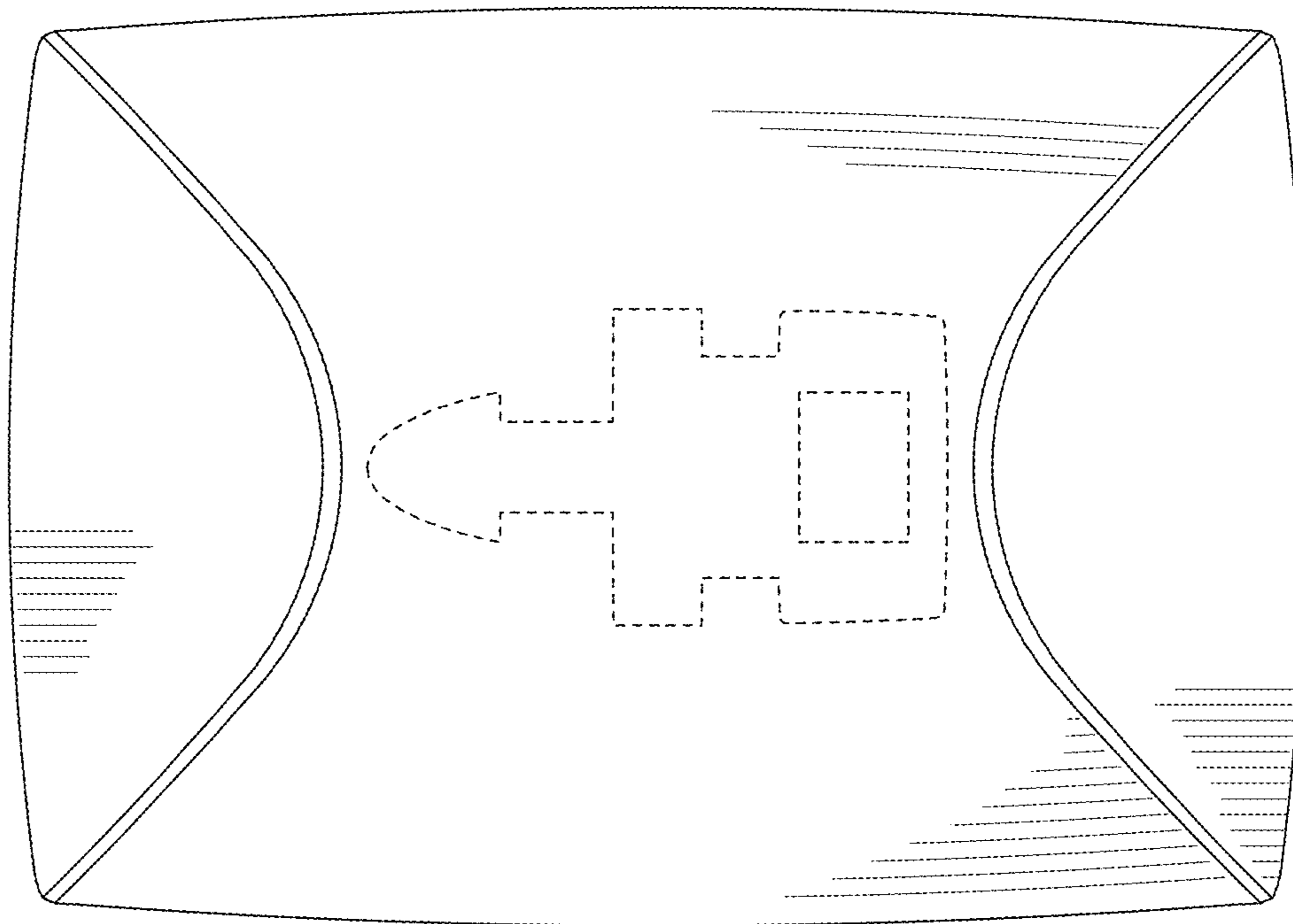


Fig.4

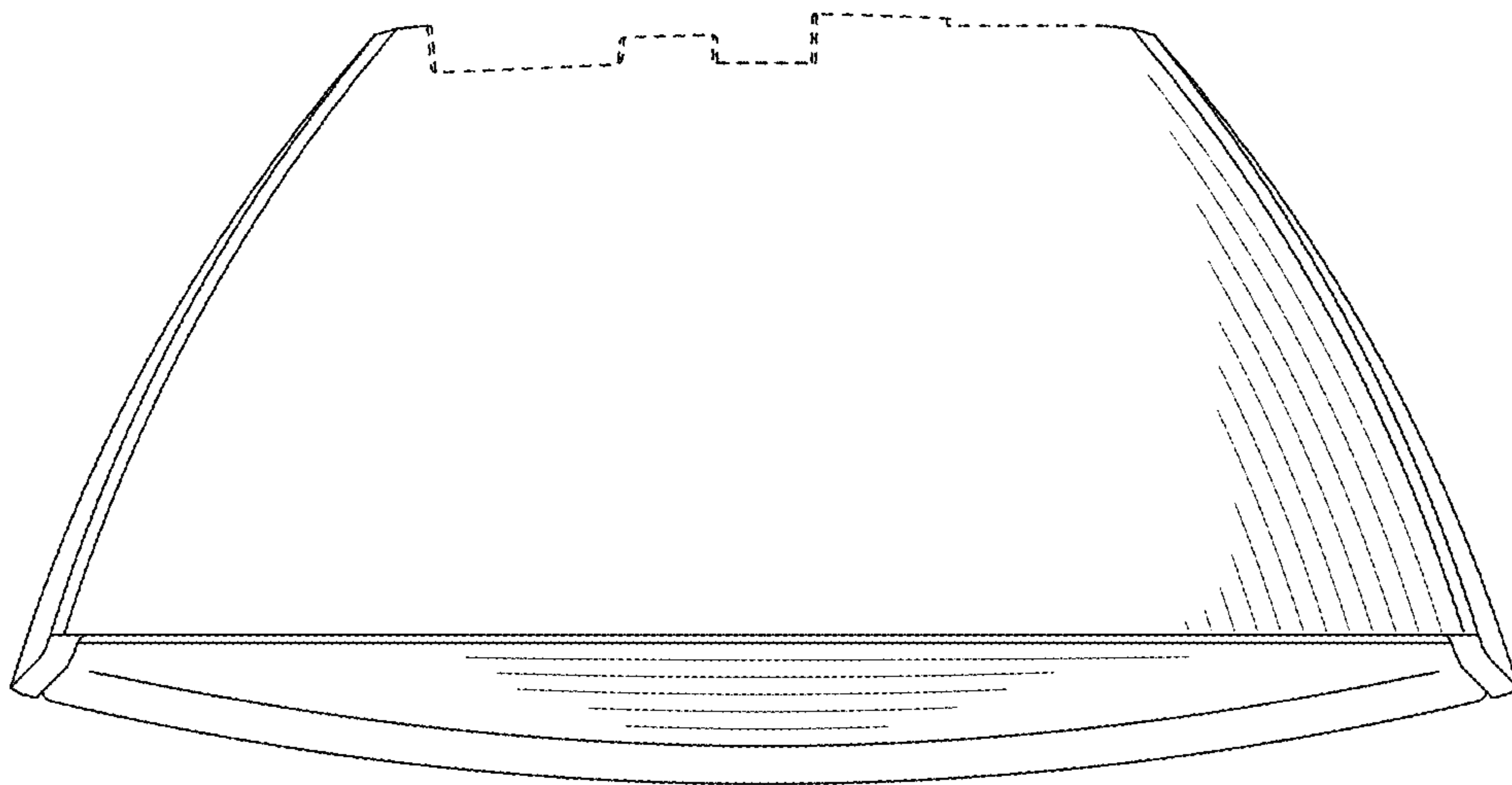


Fig. 5

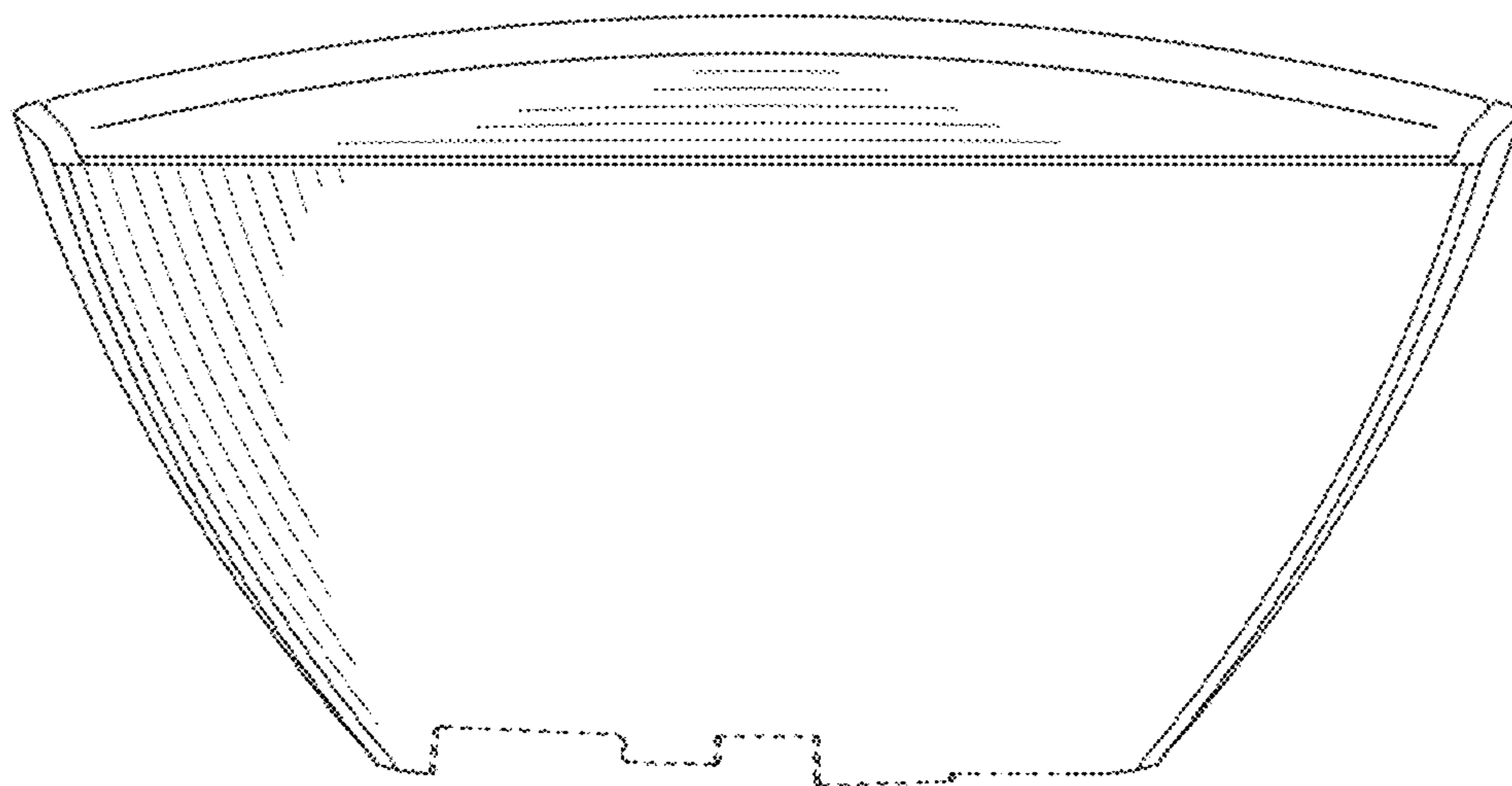


Fig.6

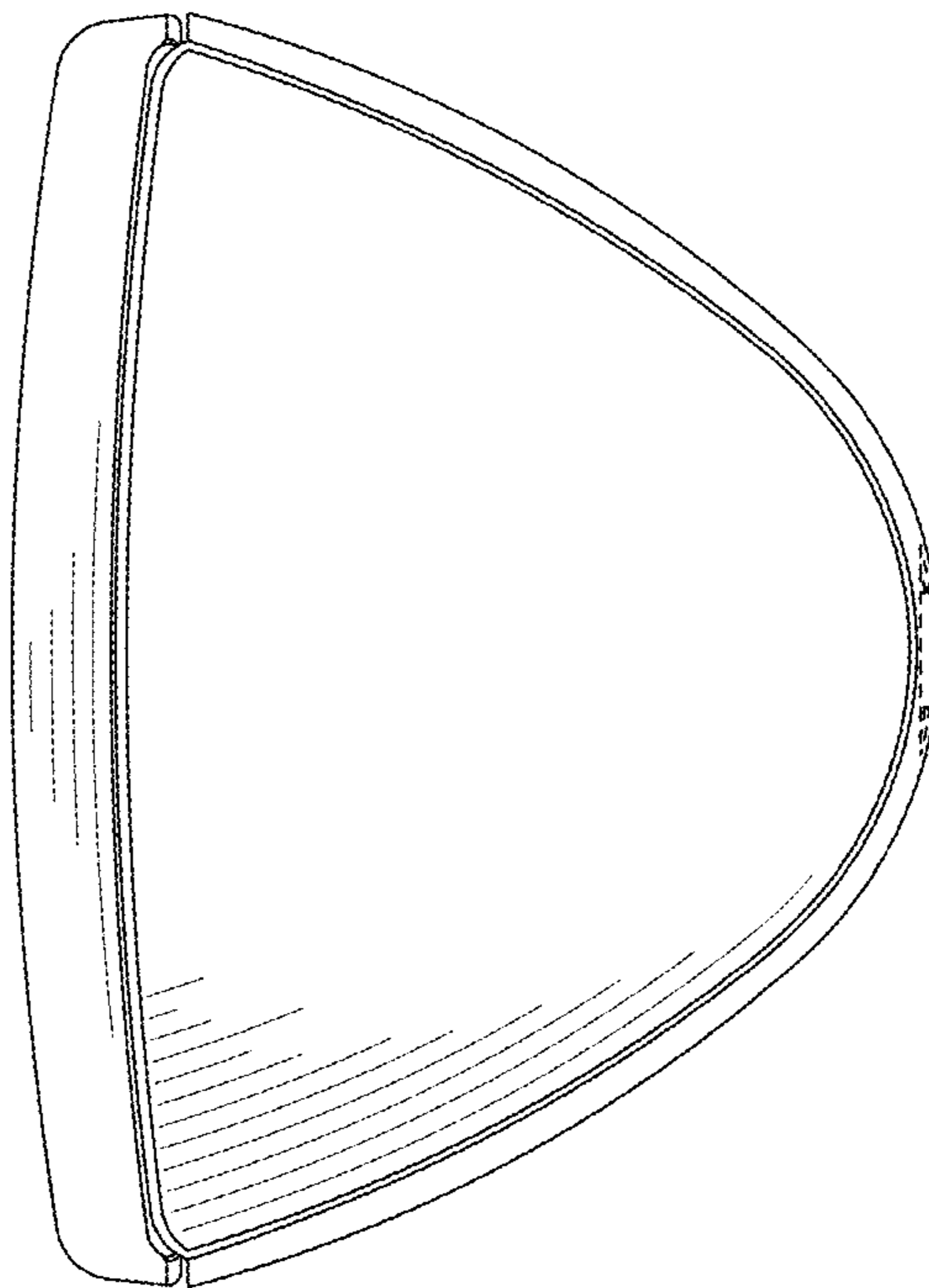


Fig.7

