



US00D807324S

(12) **United States Design Patent**  
**Cheney et al.**

(10) **Patent No.:** **US D807,324 S**

(45) **Date of Patent:** **\*\* \*Jan. 9, 2018**

(54) **WIRELESS SPEAKER SYSTEM**

2499/11; H04R 2499/13; H04R 2499/15;  
H04S 3/00; H04S 7/30

See application file for complete search history.

(71) Applicant: **Braven LC**, Provo, UT (US)

(72) Inventors: **John Craig Cheney**, Orem, UT (US);  
**Andy Fathollahi**, Corona Del Mar, CA  
(US)

(73) Assignee: **BRAVEN, LC**, Orem, UT (US)

(\*) Notice: This patent is subject to a terminal disclaimer.

(\*\*) Term: **14 Years**

(21) Appl. No.: **29/522,866**

(22) Filed: **Apr. 2, 2015**

(51) **LOC (11) Cl.** ..... **14-03**

(52) **U.S. Cl.**  
USPC ..... **D14/214**

(58) **Field of Classification Search**  
USPC ..... D14/167, 168, 170-172, 188, 194-196,  
D14/204, 207, 209.1, 210-216, 219, 221,  
D14/222, 224, 239, 496; 181/143, 144,  
181/147, 148, 150, 153, 157, 198, 199;  
381/300-303, 306, 332, 333, 336, 345,  
381/361-364, 386-388; 369/6-12  
CPC .... B60R 11/0217; G06F 1/1688; H04M 1/03;  
H04M 1/035; H04R 1/02; H04R 1/06;  
H04R 1/021; H04R 1/025; H04R 1/026;  
H04R 1/028; H04R 1/105; H04R 1/323;  
H04R 1/403; H04R 1/2803; H04R  
1/2834; H04R 5/02; H04R 7/20; H04R  
9/06; H04R 9/025; H04R 2201/021;  
H04R 2400/00; H04R 2201/07; H04R

(56) **References Cited**

U.S. PATENT DOCUMENTS

|              |        |              |         |
|--------------|--------|--------------|---------|
| D239,734 S * | 4/1976 | Vong .....   | D14/192 |
| D256,002 S * | 7/1980 | Price .....  | D10/120 |
| D334,418 S   | 3/1993 | Woo          |         |
| D336,088 S * | 6/1993 | Fisher ..... | D14/204 |

(Continued)

OTHER PUBLICATIONS

Phil Dzikiy, "Review: Braven BRV-PRO Bluetooth Speaker",  
printed from web Jan. 21, 2016, <http://www.wilounge.com/index.php/reviews/entry/braven-brv-pro-bluetooth-speaker>.

(Continued)

Primary Examiner — Keli L Hill

(74) *Attorney, Agent, or Firm* — Manatt, Phelps &  
Phillips, LLP

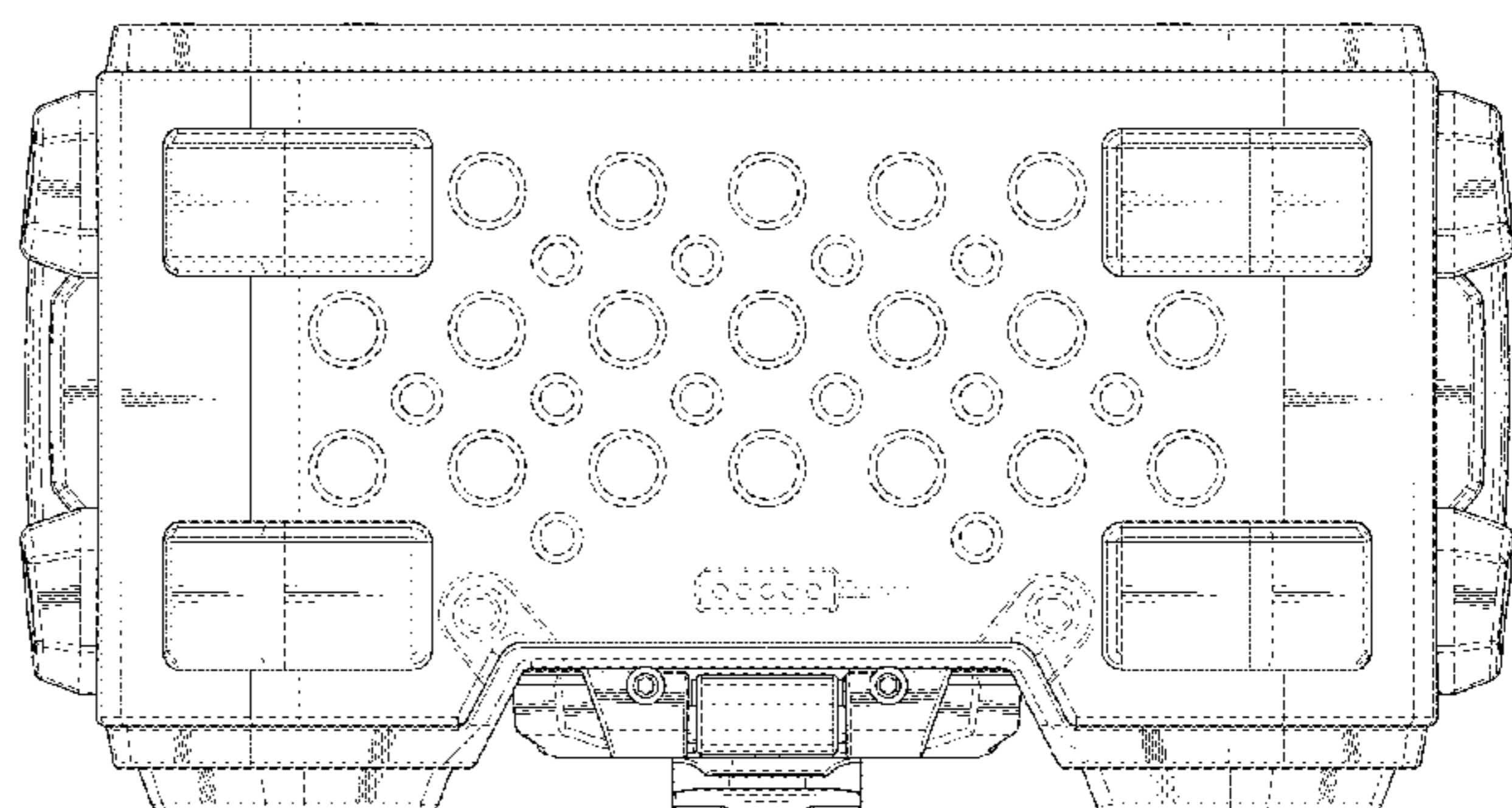
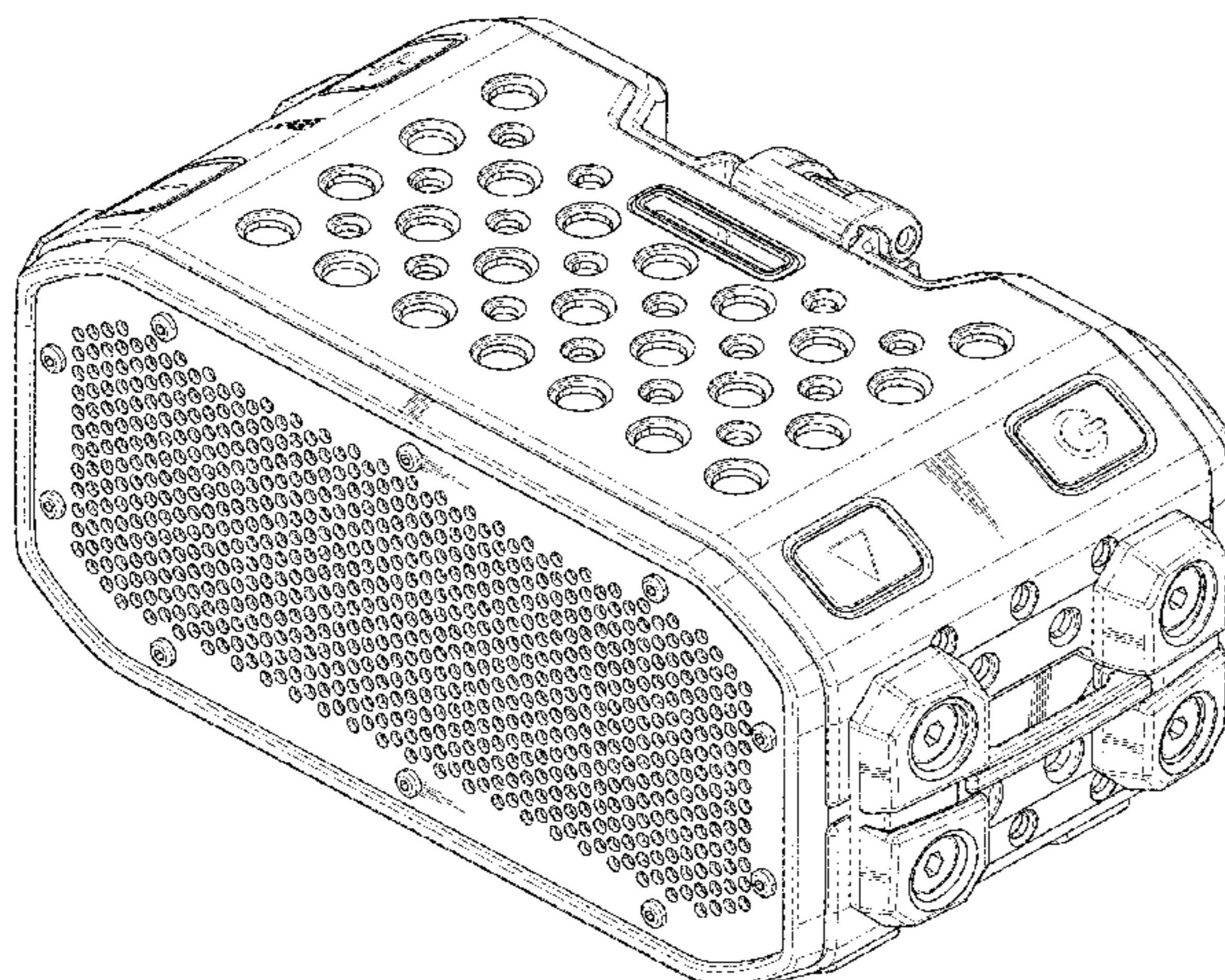
(57) **CLAIM**

The ornamental design for a wireless speaker system, as shown and described.

**DESCRIPTION**

FIG. 1 is a perspective view of a wireless speaker system showing one embodiment of a new design;  
FIG. 2 is a front view of the wireless speaker system of FIG. 1;  
FIG. 3 is a rear view of the wireless speaker system of FIG. 1;  
FIG. 4 is a right side view of the wireless speaker system of FIG. 1;  
FIG. 5 is a left side view of the wireless speaker system of FIG. 1;  
FIG. 6 is a top end view of the wireless speaker system of FIG. 1; and,  
FIG. 7 is a bottom end view of the wireless speaker system of FIG. 1;

(Continued)



The dot-dot-dash broken lines seen in FIG. 3 represent the bounds of the claimed design while all other broken lines are included for the purpose of illustrating portions of the wireless speaker system; the broken lines form no part of the claimed design.

**1 Claim, 7 Drawing Sheets**

(56)

**References Cited**

U.S. PATENT DOCUMENTS

|          |   |   |         |                |       |         |
|----------|---|---|---------|----------------|-------|---------|
| D446,785 | S | * | 8/2001  | Ohta           | ..... | D14/216 |
| D452,490 | S |   | 12/2001 | Shintani       |       |         |
| D489,707 | S | * | 5/2004  | Kobayashi      | ..... | D14/214 |
| D510,927 | S |   | 10/2005 | Harris et al.  |       |         |
| D533,163 | S | * | 12/2006 | Takase         | ..... | D14/215 |
| D584,288 | S |   | 1/2009  | Kim            |       |         |
| D610,571 | S | * | 2/2010  | Jha            | ..... | D14/216 |
| D610,573 | S | * | 2/2010  | Joseph         | ..... | D14/216 |
| D621,384 | S | * | 8/2010  | Kao            | ..... | D14/214 |
| D632,671 | S | * | 2/2011  | Wada           | ..... | D14/216 |
| D641,006 | S |   | 7/2011  | Anthony et al. |       |         |
| D641,732 | S | * | 7/2011  | Liner          | ..... | D14/216 |
| D655,272 | S |   | 3/2012  | Kawase et al.  |       |         |
| D655,691 | S | * | 3/2012  | Stewart, Jr.   | ..... | D14/214 |
| D659,670 | S |   | 5/2012  | Goetzen et al. |       |         |
| D664,120 | S | * | 7/2012  | Larson         | ..... | D14/215 |
| D664,121 | S | * | 7/2012  | Larson         | ..... | D14/215 |
| D674,779 | S |   | 1/2013  | Joseph         |       |         |
| D682,816 | S | * | 5/2013  | Fathollahi     | ..... | D14/250 |
| D690,287 | S | * | 9/2013  | Belfanti       | ..... | D14/214 |
| D693,417 | S | * | 11/2013 | Kim            | ..... | D21/708 |

|              |    |   |         |               |       |                       |
|--------------|----|---|---------|---------------|-------|-----------------------|
| D700,166     | S  | * | 2/2014  | Petersen      | ..... | D14/204               |
| D704,076     | S  |   | 5/2014  | Poandl        |       |                       |
| D704,678     | S  | * | 5/2014  | Katsumata     | ..... | D14/203.1             |
| D708,165     | S  | * | 7/2014  | Woo           | ..... | D14/209.1             |
| D710,825     | S  | * | 8/2014  | Florczak      | ..... | D14/214               |
| D715,766     | S  |   | 10/2014 | Osborn et al. |       |                       |
| D717,778     | S  | * | 11/2014 | Zermeno       | ..... | D14/250               |
| D725,078     | S  | * | 3/2015  | Wong          | ..... | D14/216               |
| D727,292     | S  | * | 4/2015  | Anthony       | ..... | D14/214               |
| D729,762     | S  | * | 5/2015  | Hu            | ..... | D14/194               |
| D738,854     | S  | * | 9/2015  | Babcock       | ..... | D14/214               |
| 2015/0096828 | A1 | * | 4/2015  | Fathollahi    | ..... | H04R 1/023<br>181/156 |

OTHER PUBLICATIONS

Jesse Hollington, "Braven intros new speakers at CES, including the BRV-XXL and BRV-Blade LE", printed from web Jan. 21, 2016, <http://www.ilounge.com/index.php/news/comments/braven-intros-new-speakers-at-ces-including-the-brv-xxl-and-brv-blade-le>.

Phil Dzikiy, "Show Report: Incipio/Braven", printed from web Jan. 21, 2016, <http://www.ilounge.com/index.php/ces/report/incipio-braven>.

Jeremy Horwitz, "Review: Braven BRV-1 Wireless Bluetooth Speaker", printed from web Jan. 21, 2016, <http://www.ilounge.com/index.php/reviews/entry/braven-brv-1-wireless-bluetooth-speaker/>.

Jeremy Horwitz, "Review: Braven BRV-X Bluetooth Wireless Speaker", printed from web Jan. 22, 2016, <http://www.ilounge.com/index.php/reviews/entry/braven-brv-x-bluetooth-wireless-speaker/>.

Nick Guy, "Review: Braven BRV-BANK Smart Rugged Portable Power Bank", printed from web Jan. 21, 2016, <http://www.ilounge.com/index.php/reviews/entry/braven-brv-bank-smart-rugged-portable-power-bank/>.

\* cited by examiner

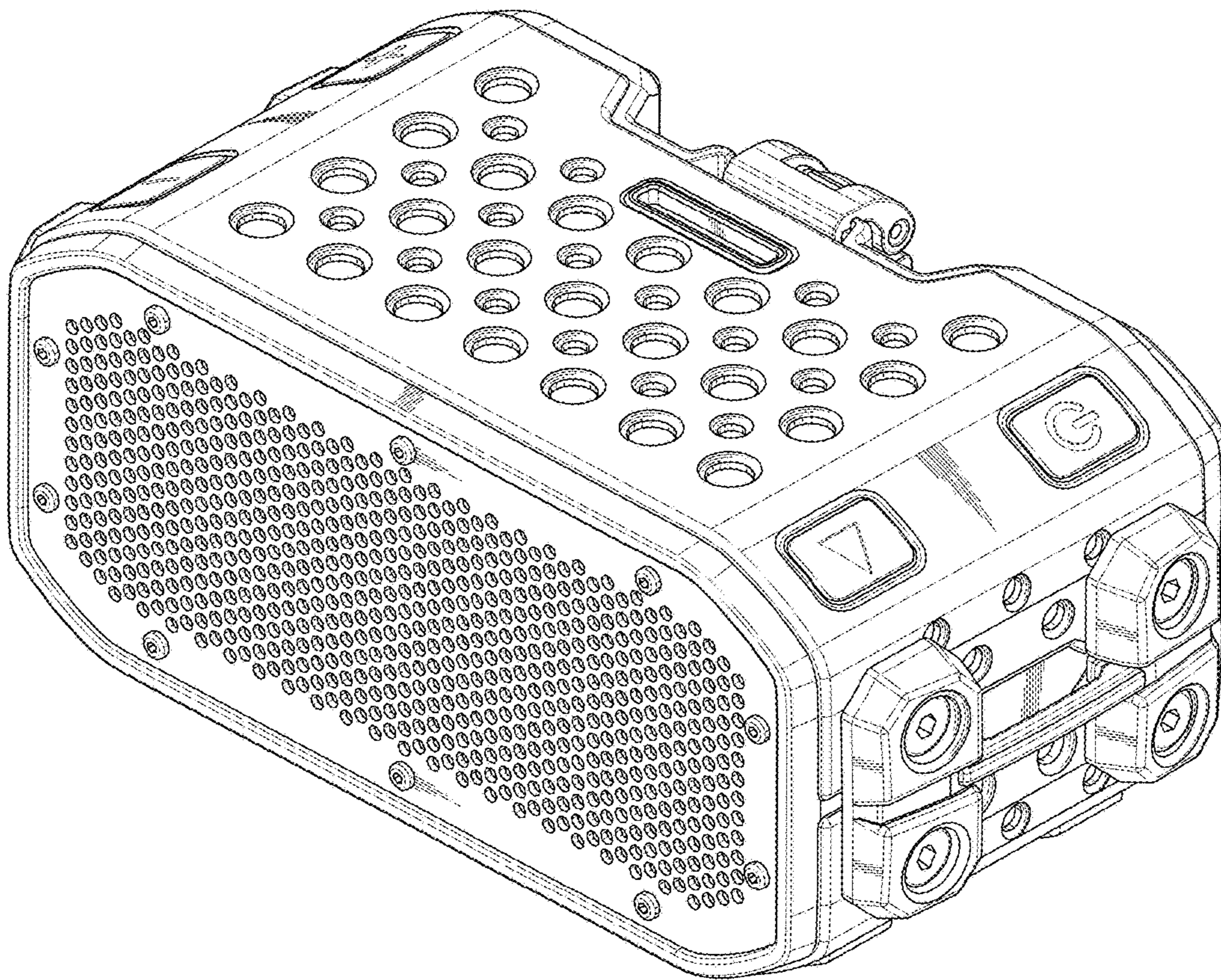


FIG. 1

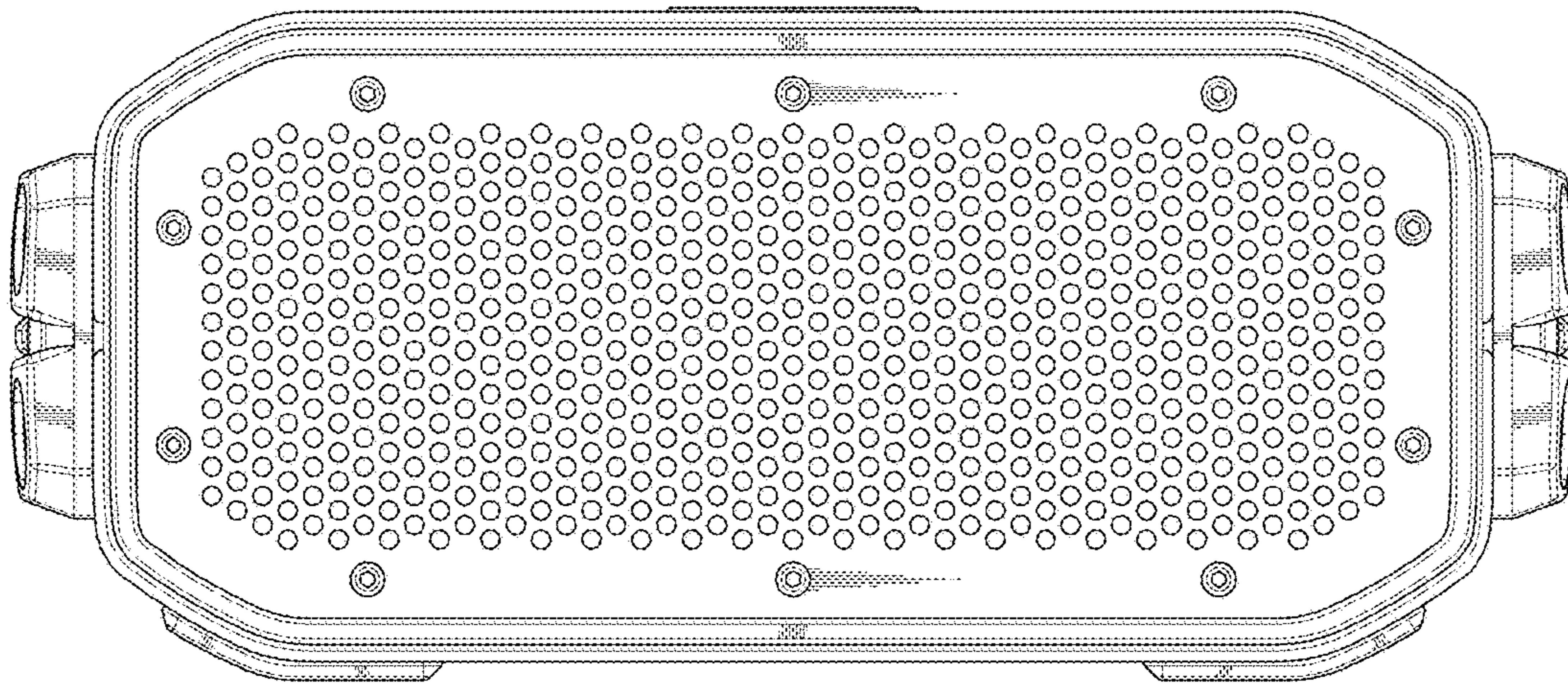
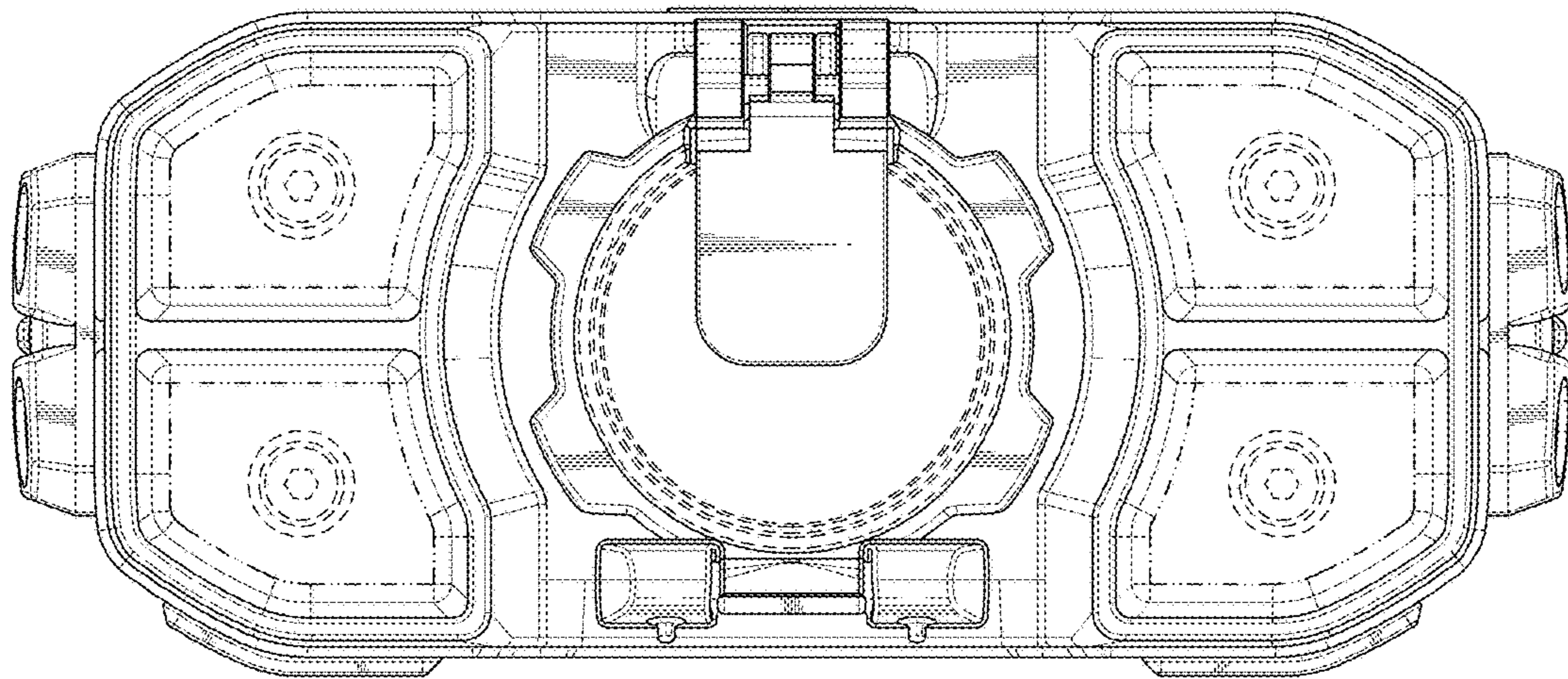


FIG. 2



*FIG. 3*

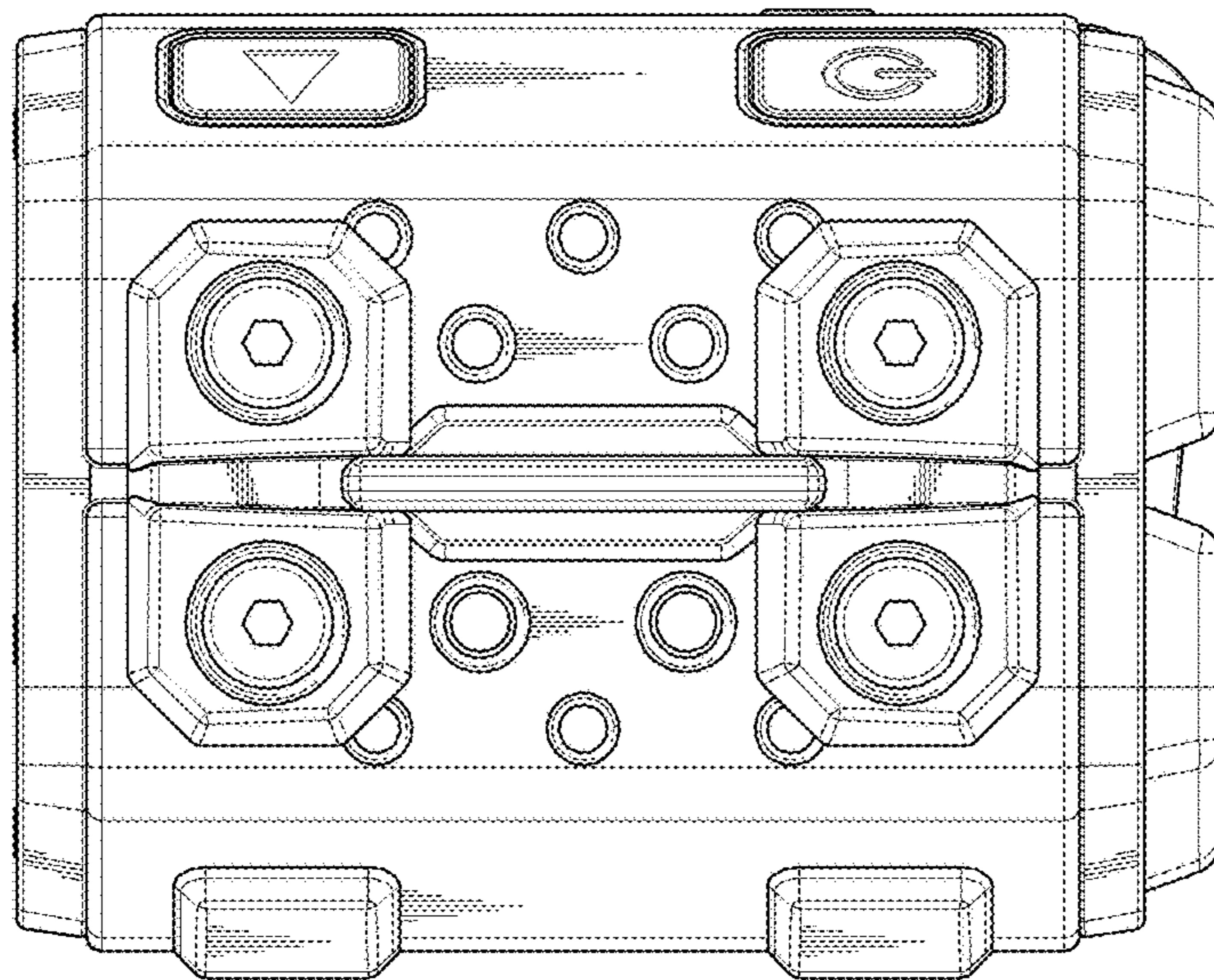
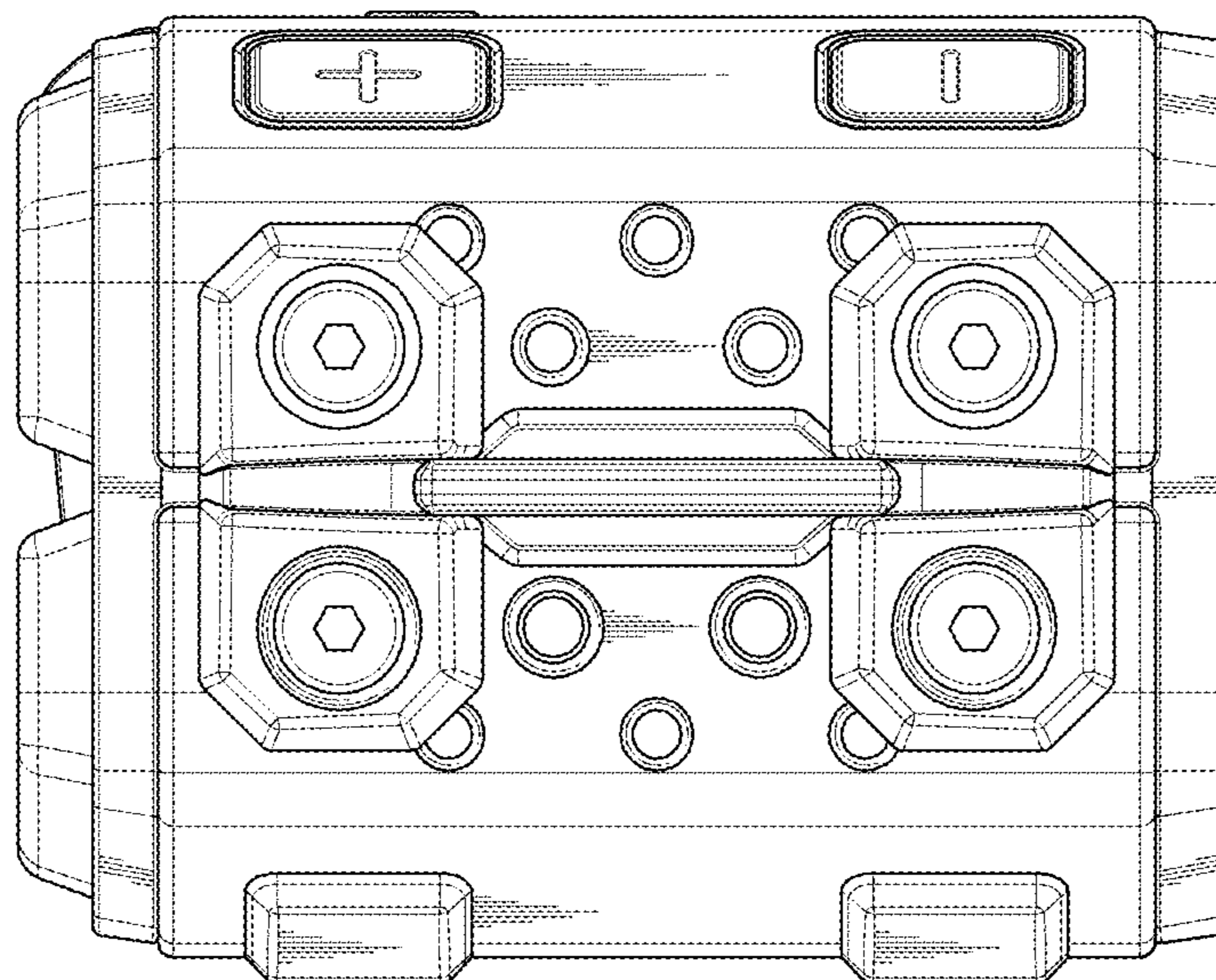


FIG. 4



*FIG. 5*

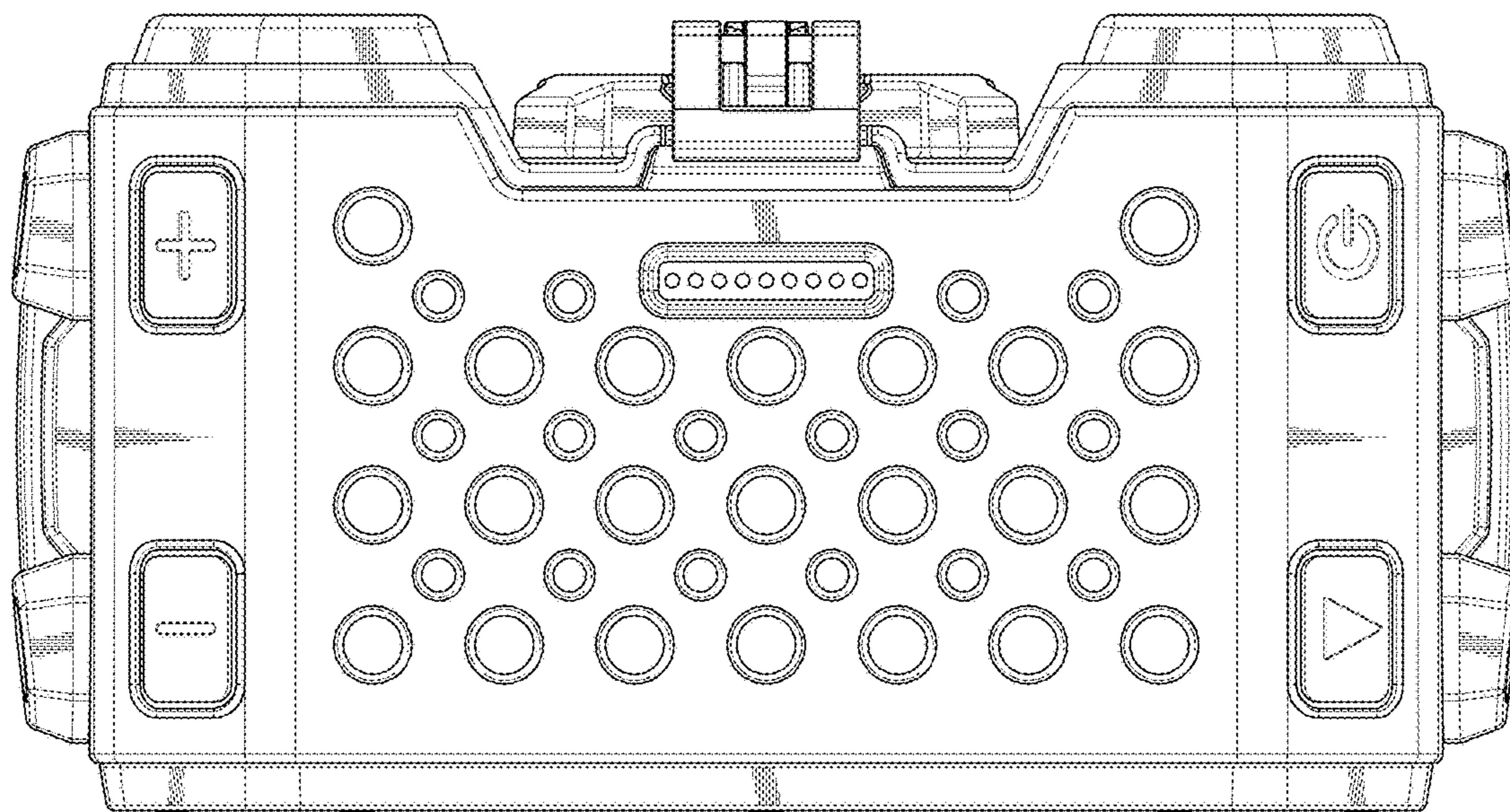


FIG. 6



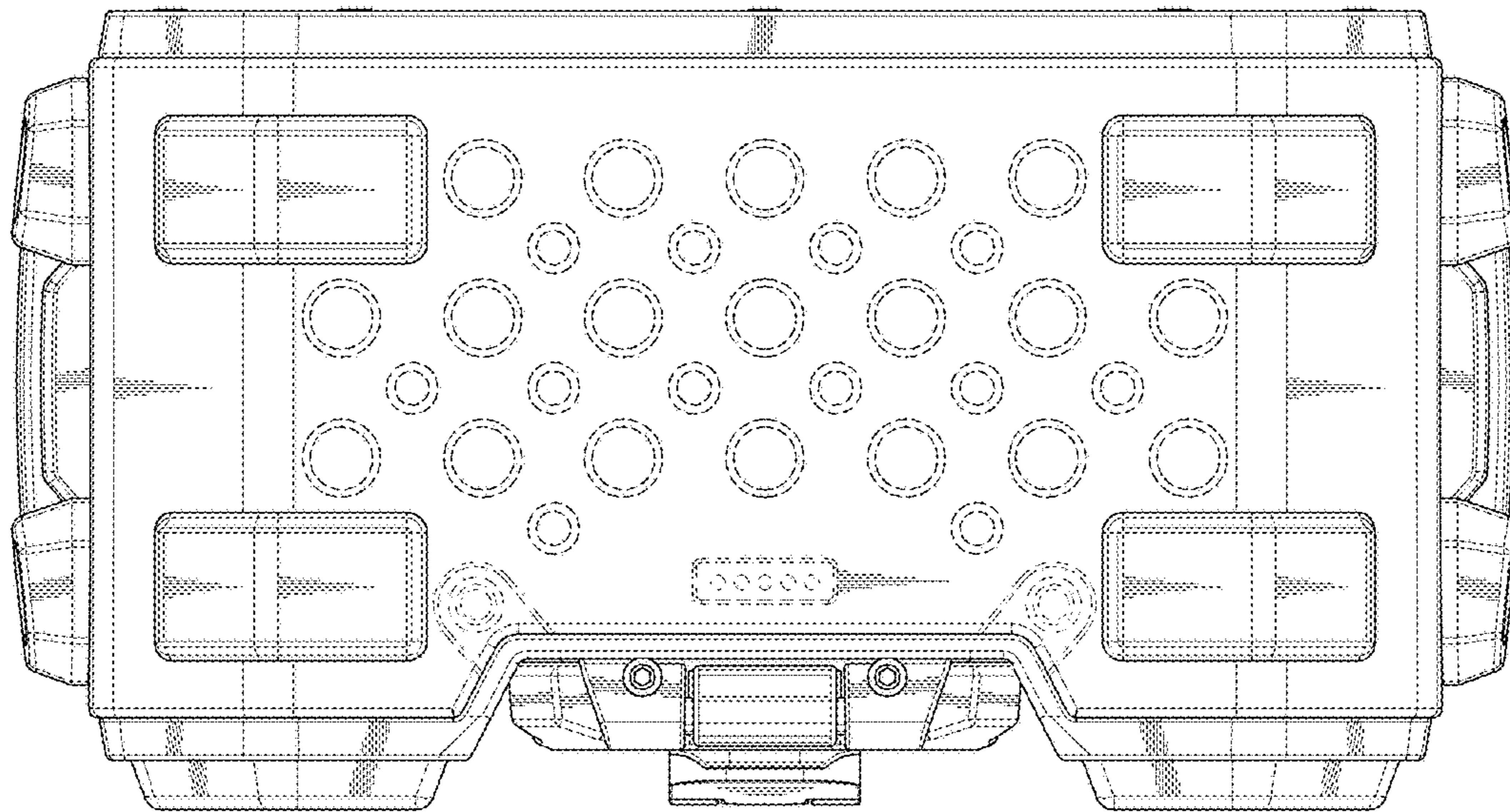


FIG. 7