



US00D807323S

(12) **United States Design Patent**  
**Wang**

(10) **Patent No.:** **US D807,323 S**  
(45) **Date of Patent:** **\*\* Jan. 9, 2018**

- (54) **PAIR OF HEADPHONES**
- (71) Applicant: **Tianbo Wang**, Dongguan (CN)
- (72) Inventor: **Tianbo Wang**, Dongguan (CN)
- (\*\*) Term: **15 Years**
- (21) Appl. No.: **29/580,528**
- (22) Filed: **Oct. 11, 2016**
- (51) **LOC (11) Cl.** ..... **14-01**
- (52) **U.S. Cl.**  
USPC ..... **D14/205**
- (58) **Field of Classification Search**  
USPC ..... D14/205, 188, 192; D29/112; 2/209;  
181/129, 130, 135; 379/430, 431;  
381/380, 381, 74, 370, 371, 374;  
455/90.3, 575.1, 569.1  
CPC .... H04R 1/1066; H04R 1/1016; H04R 5/033;  
H04R 5/0335; H04R 1/10; H04R 25/00;  
H04R 1/1091  
See application file for complete search history.

- D484,485 S \* 12/2003 Matsuoka ..... D14/205
- D504,414 S \* 4/2005 Yoshida ..... D14/192
- D510,335 S \* 10/2005 Suzuki ..... D14/205
- 6,980,165 B2 \* 12/2005 Yuasa ..... H01Q 1/273  
343/718
- D534,155 S \* 12/2006 Obata ..... D14/205
- D549,688 S \* 8/2007 Suzuki ..... D14/205
- D563,382 S \* 3/2008 Wikel ..... D14/205
- 7,356,362 B2 \* 4/2008 Chang ..... H04R 1/1033  
379/430
- D582,890 S \* 12/2008 Koza ..... D14/205
- D591,263 S \* 4/2009 Shimizu ..... D14/205
- D592,640 S \* 5/2009 Tkachuk ..... D14/205
- D603,371 S \* 11/2009 Boateng ..... D14/205
- D632,668 S \* 2/2011 Brunner ..... D14/205
- D652,406 S \* 1/2012 Lee ..... D14/205
- D657,344 S \* 4/2012 Brunner ..... D14/205
- D660,824 S \* 5/2012 Hardi ..... D14/205
- D664,116 S \* 7/2012 Hutchieson ..... D14/205
- D664,118 S \* 7/2012 Tappeiner ..... D14/205
- D673,520 S \* 1/2013 Tan ..... D14/205
- D675,595 S \* 2/2013 Cho ..... D14/205

(Continued)

Primary Examiner — Paula Allen Greene

(57) **CLAIM**

The ornamental design for pair of headphones, as shown and described.

**DESCRIPTION**

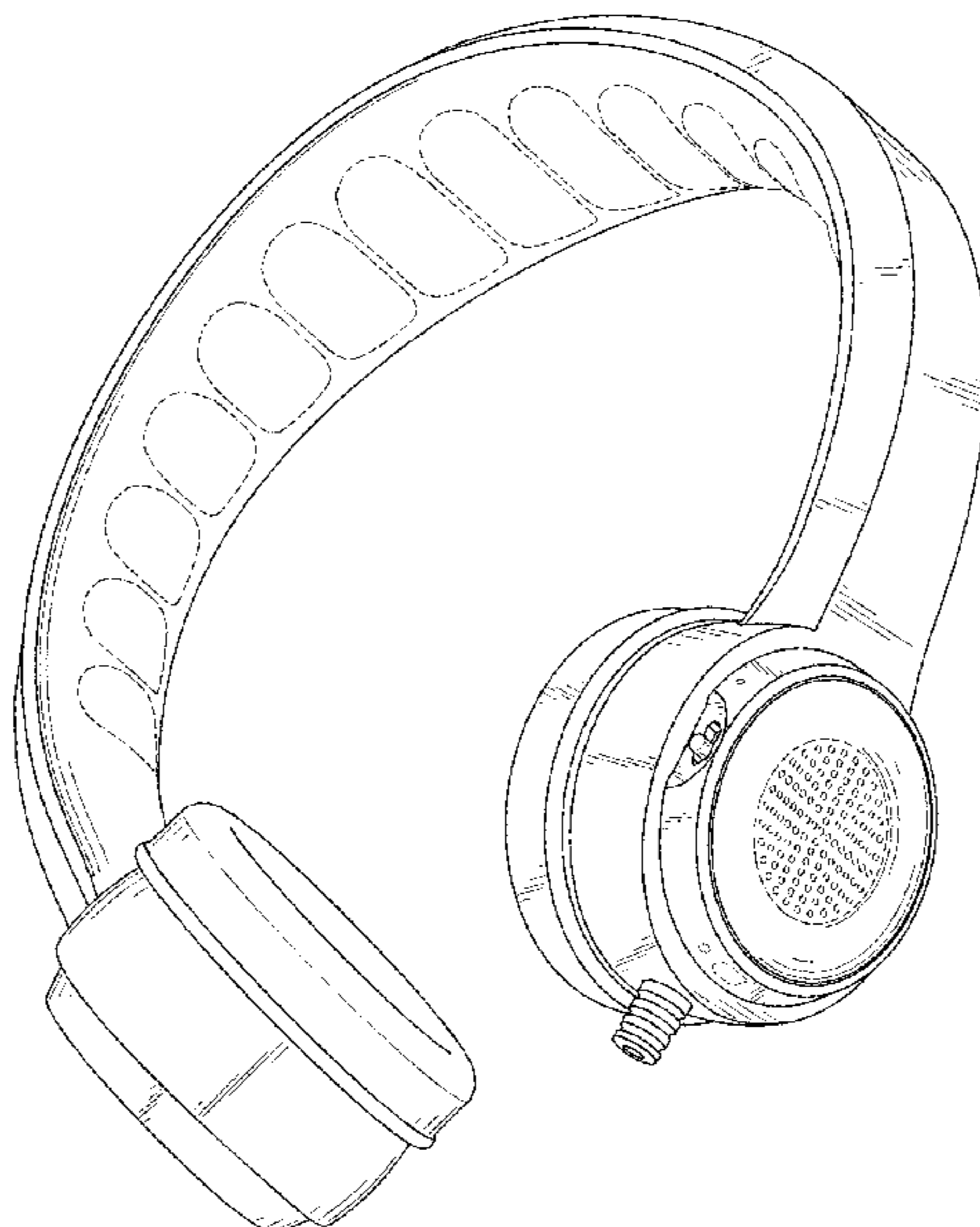
FIG. 1 is a perspective view of the pair of headphones showing my new design;  
 FIG. 2 is a front elevational view thereof;  
 FIG. 3 is a rear elevational view thereof;  
 FIG. 4 is a left side elevational view thereof;  
 FIG. 5 is a right side elevational view thereof;  
 FIG. 6 is a top plan view thereof; and,  
 FIG. 7 is a bottom plan view thereof.  
 The broken lines are for the purposes of illustration portions of the headphones and form no part of the claimed design.

**1 Claim, 7 Drawing Sheets**

(56) **References Cited**

U.S. PATENT DOCUMENTS

- 3,104,398 A \* 9/1963 Palmaer ..... A61F 11/14  
2/209
- 3,119,904 A \* 1/1964 Anson ..... H04M 1/05  
15/244.1
- D222,361 S \* 10/1971 Hart ..... D14/205
- D235,210 S \* 5/1975 Hill ..... D14/205
- 4,385,209 A \* 5/1983 Greason ..... H04M 1/03  
307/400
- D286,632 S \* 11/1986 Teunis ..... D14/205
- D299,025 S \* 12/1988 Besasie ..... D14/205
- 5,113,428 A \* 5/1992 Fitzgerald ..... H04B 1/3816  
379/430
- D403,126 S \* 12/1998 Scanlon ..... D29/112
- D409,197 S \* 5/1999 Nakamura ..... D14/205



(56)

**References Cited**

U.S. PATENT DOCUMENTS

D678,860 S \* 3/2013 Hagelin ..... D14/205  
D683,329 S \* 5/2013 Hagelin ..... D14/205  
D699,702 S \* 2/2014 Chen ..... D14/205  
8,755,555 B2 \* 6/2014 Dougherty ..... H04R 1/1066  
381/370  
8,767,996 B1 \* 7/2014 Lin ..... H04R 1/1091  
381/370  
D721,052 S \* 1/2015 Carr ..... D14/205  
D738,350 S \* 9/2015 Brunner ..... D14/205  
D763,226 S \* 8/2016 Petersen ..... D14/205  
D790,504 S \* 6/2017 Tam ..... D14/205  
D794,601 S \* 8/2017 Riggs ..... D14/205  
D795,835 S \* 8/2017 Nagamine ..... D14/205  
D796,478 S \* 9/2017 Minn ..... D14/205  
2015/0139472 A1 \* 5/2015 Solomon ..... H04R 1/1091  
381/378  
2015/0382101 A1 \* 12/2015 Dai ..... H04R 1/105  
381/375

\* cited by examiner

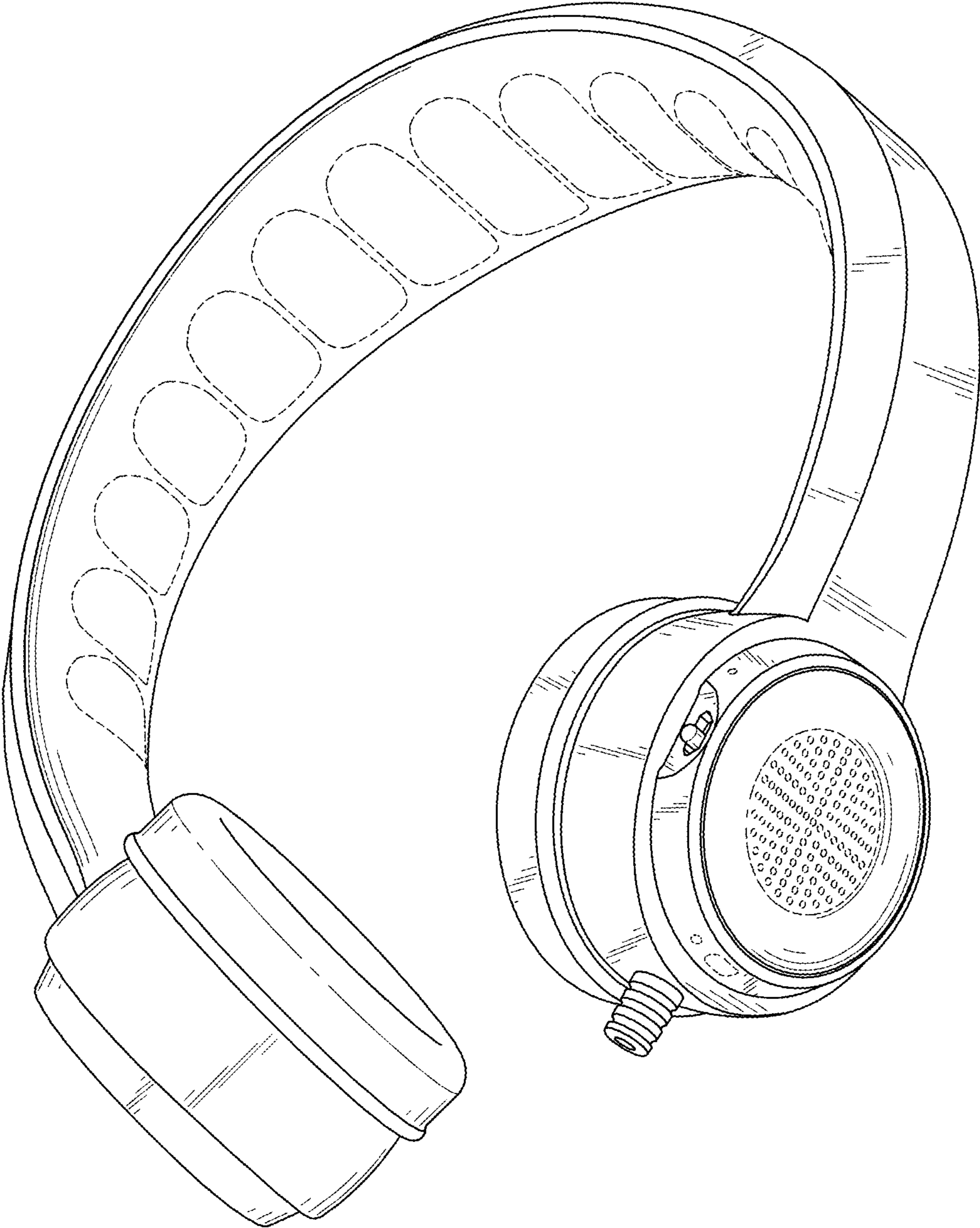


FIG. 1

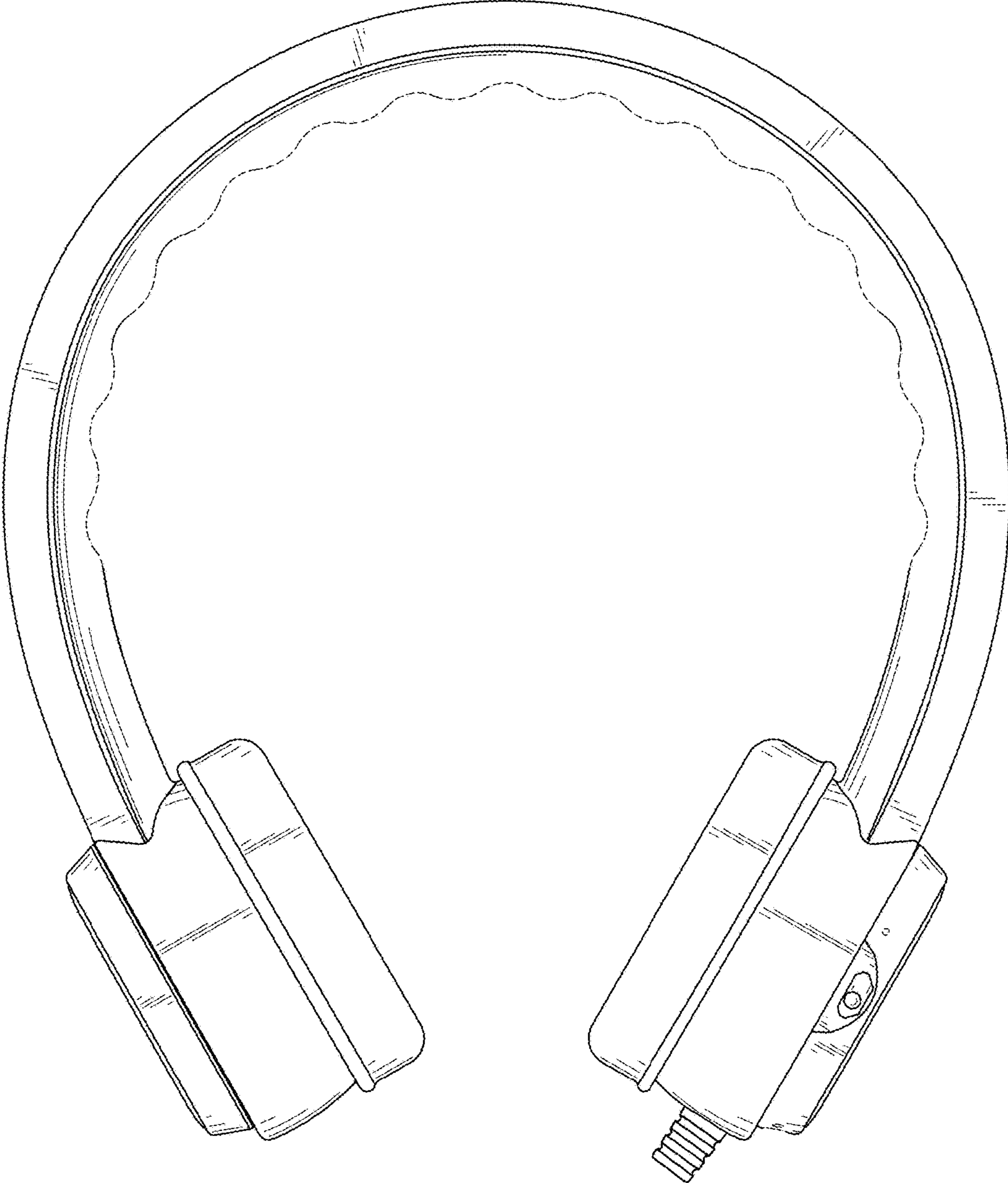


FIG. 2

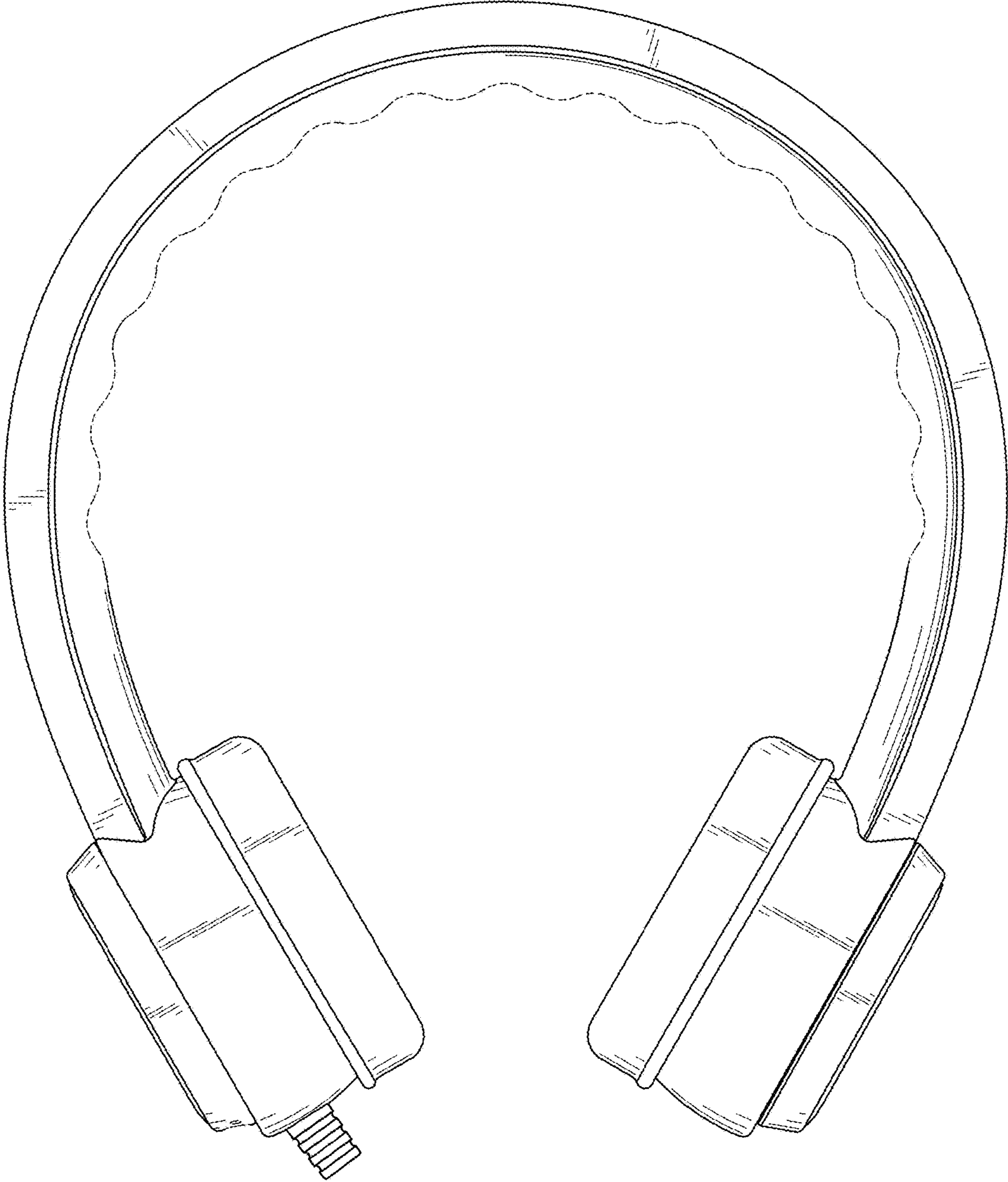


FIG. 3

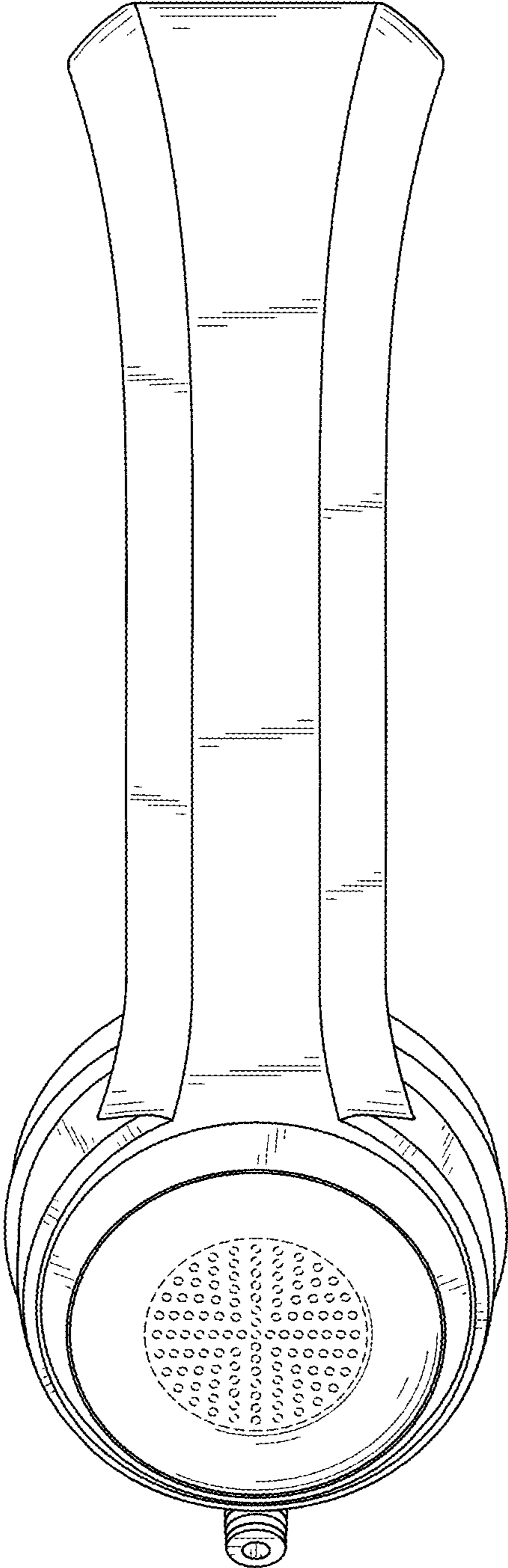


FIG. 4

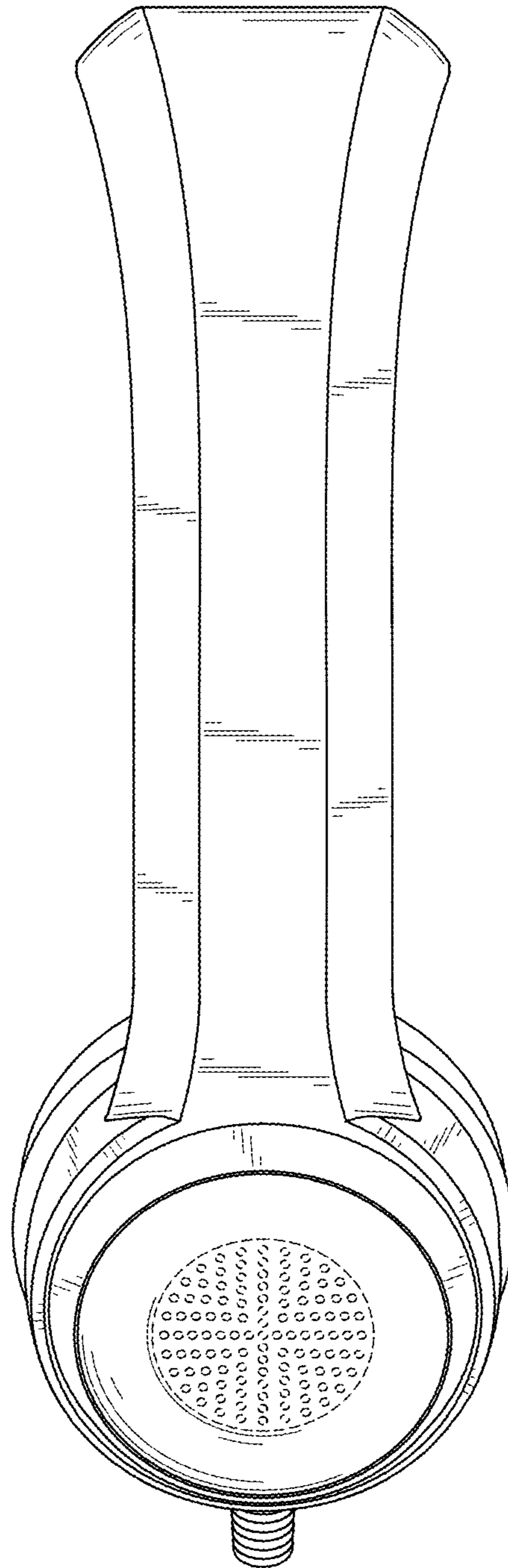


FIG. 5

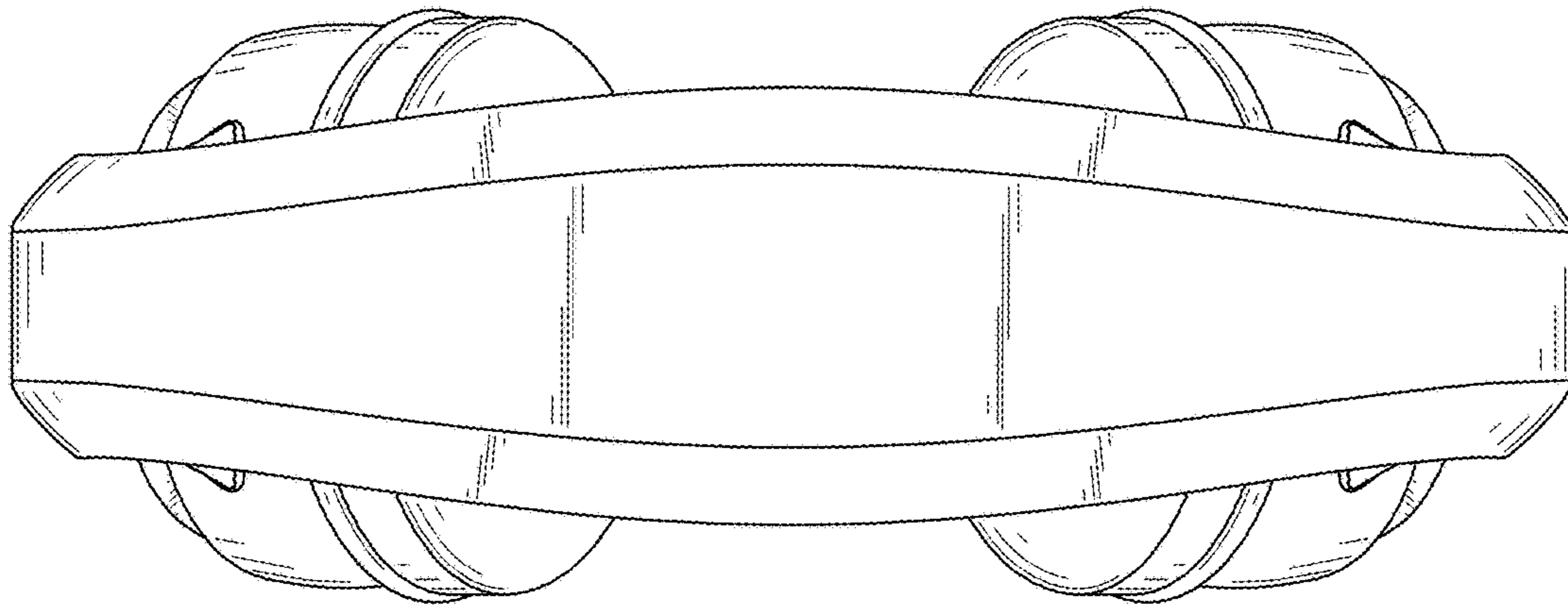


FIG. 6



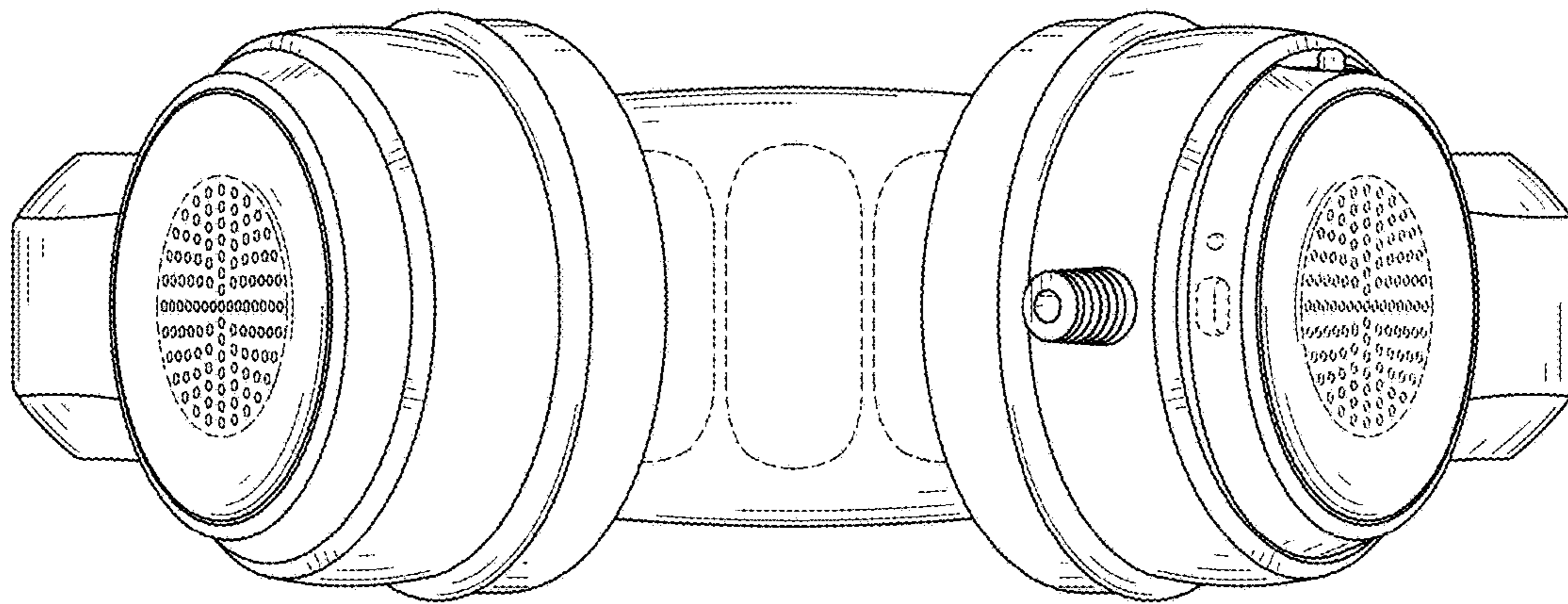


FIG. 7