



US00D807313S

(12) **United States Design Patent**  
**Kim et al.**

(10) **Patent No.:** **US D807,313 S**  
(45) **Date of Patent:** **\*\* Jan. 9, 2018**

(54) **TELEVISION RECEIVER**  
(71) Applicant: **LG ELECTRONICS INC., Seoul (KR)**  
(72) Inventors: **Byungsoo Kim, Seoul (KR); Seongahn Jeon, Seoul (KR); Sangho Lee, Seoul (KR); Hyuntae Ahn, Seoul (KR); Sanggi Kim, Seoul (KR)**  
(73) Assignee: **LG ELECTRONICS INC., Seoul (KR)**  
(\*\*) Term: **15 Years**

D692,844 S \* 11/2013 Seong ..... D14/126  
D709,843 S \* 7/2014 Inoue ..... D14/126  
D717,753 S \* 11/2014 Totsuka ..... D14/126  
D726,667 S \* 4/2015 Kim ..... D14/126  
D727,864 S \* 4/2015 Kim ..... D14/126  
D732,489 S \* 6/2015 Kumano ..... D14/126  
D754,621 S \* 4/2016 Dai ..... D14/126  
D755,139 S \* 5/2016 Kim ..... D14/126  
D758,331 S \* 6/2016 Seo ..... D14/126  
D762,625 S \* 8/2016 Yoo ..... D14/126  
D772,833 S \* 11/2016 Han ..... D14/126  
D773,419 S \* 12/2016 Han ..... D14/126  
D773,422 S \* 12/2016 Han ..... D14/126  
D774,483 S \* 12/2016 Kim ..... D14/126  
D774,484 S \* 12/2016 Han ..... D14/126  
D783,553 S \* 4/2017 Kim ..... D14/126  
D790,493 S \* 6/2017 Han ..... D14/126

(21) Appl. No.: **35/501,333**

(22) Filed: **Feb. 3, 2016**

(80) **Hague Agreement Data**

Int. Filing Date: **Feb. 3, 2016**  
Int. Reg. No.: **DM/089996**  
Int. Reg. Date: **Feb. 3, 2016**  
Int. Reg. Pub. Date: **Aug. 5, 2016**

(30) **Foreign Application Priority Data**

Aug. 5, 2015 (KR) ..... 30-2015-0039659

(51) **LOC (11) Cl.** ..... **14-03**

(52) **U.S. Cl.**  
USPC ..... **D14/126**

(58) **Field of Classification Search**  
USPC ..... D14/125-134, 136, 159, 239, 336, 342, D14/371, 374-377, 440, 448, 450; D21/329, 515, 577, 622  
CPC ... G06F 1/1601; G06F 1/1643; H05K 5/0004; H05K 5/0017; H05K 5/02; H05K 5/0217  
See application file for complete search history.

(56) **References Cited**

**U.S. PATENT DOCUMENTS**

D653,636 S \* 2/2012 Lee ..... D14/126  
D677,637 S \* 3/2013 Kubota ..... D14/126

(Continued)

*Primary Examiner* — Melanie H Tung  
*Assistant Examiner* — Bao-Yen Nguyen  
(74) *Attorney, Agent, or Firm* — Birch, Stewart, Kolasch & Birch, LLP

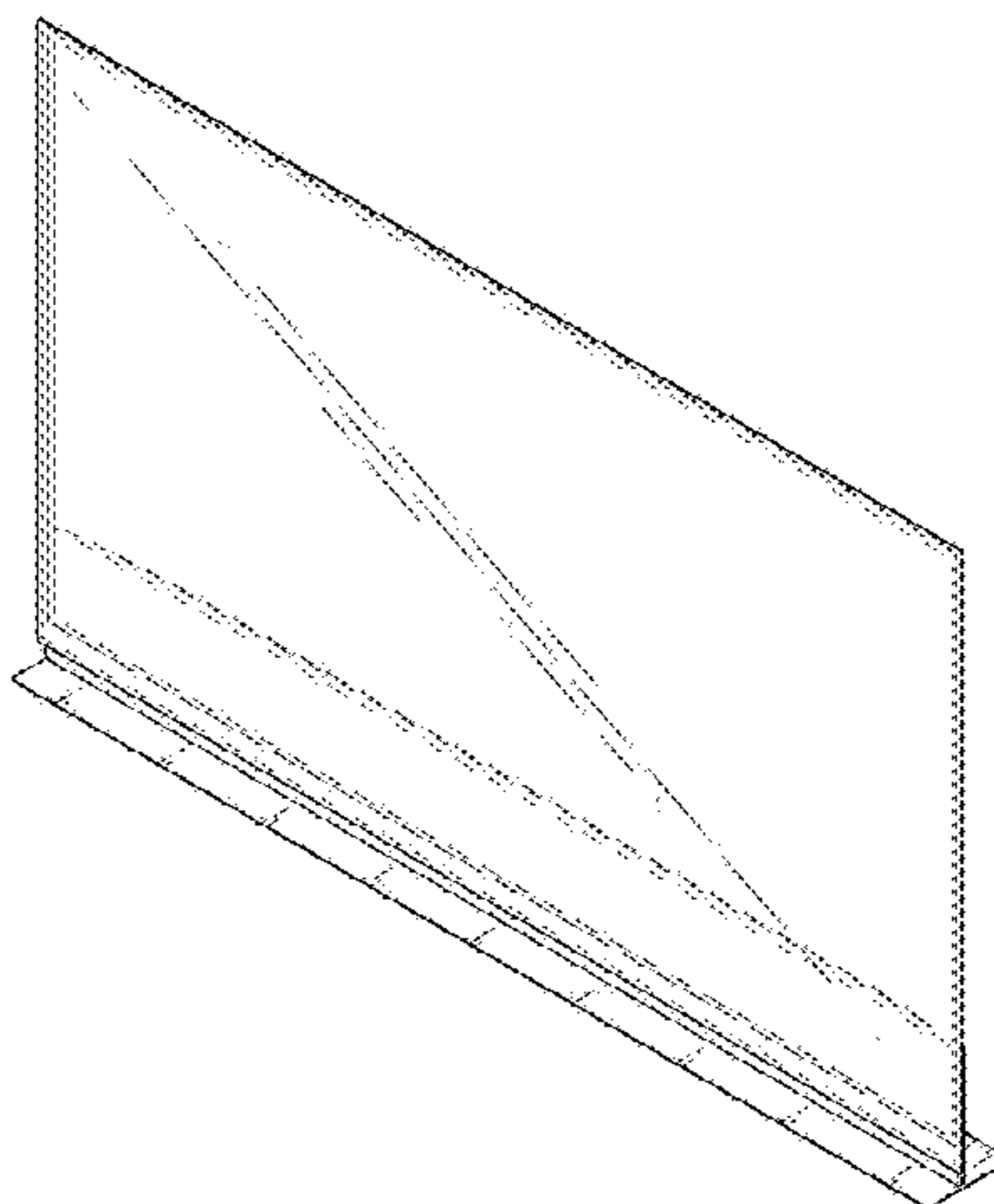
(57) **CLAIM**

The ornamental design for a television receiver, as shown and described.

**DESCRIPTION**

1. Television receiver  
**1.1** : Perspective  
**1.2** : Front  
**1.3** : Back  
**1.4** : Left  
**1.5** : Right  
**1.6** : Top  
**1.7** : Bottom  
**1.8** : Enlarged top view of fig. 1.4.  
The dash-dot broken line in fig. 1.8 forms no part of the claimed design.

**1 Claim, 8 Drawing Sheets**



(56)

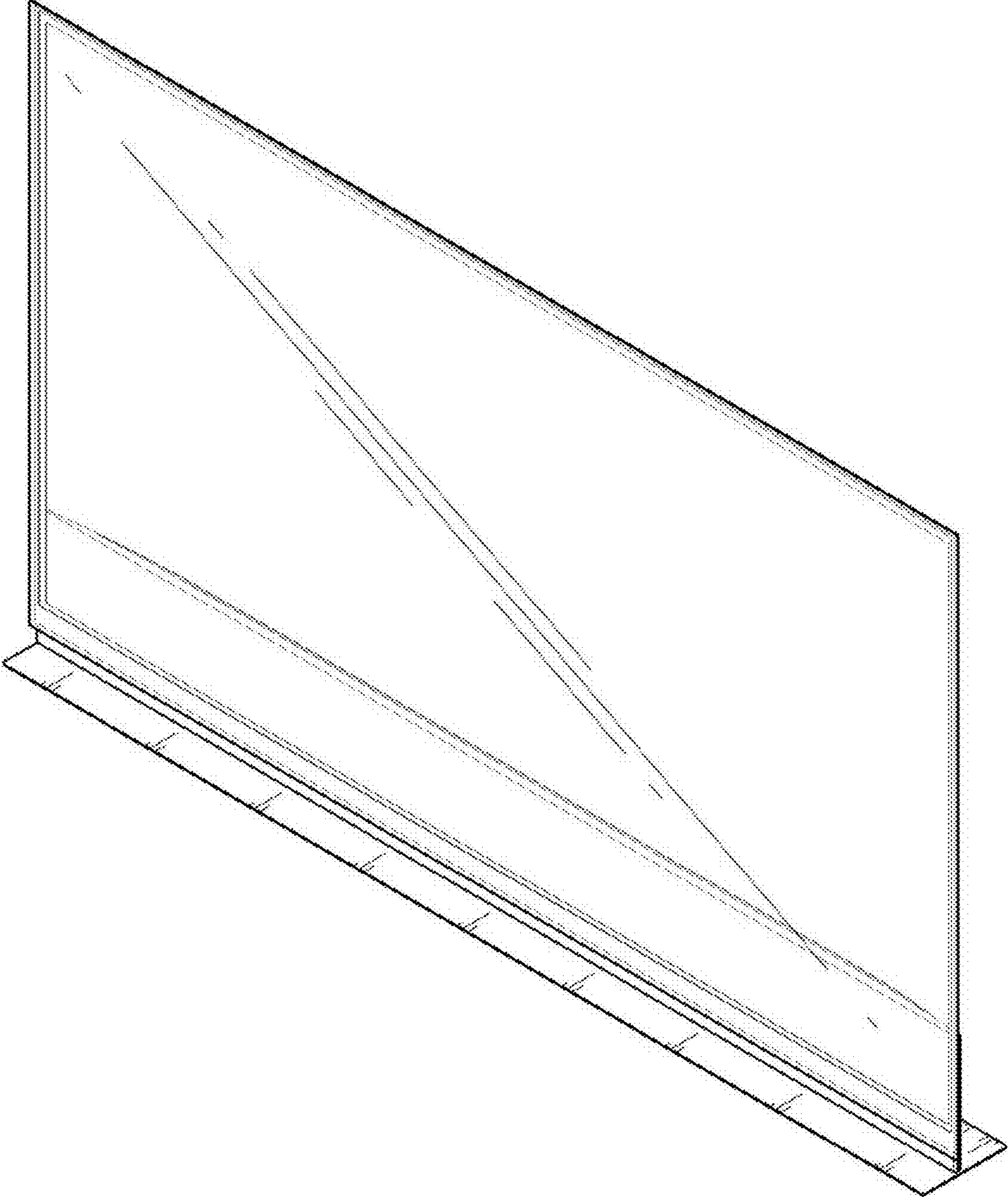
**References Cited**

U.S. PATENT DOCUMENTS

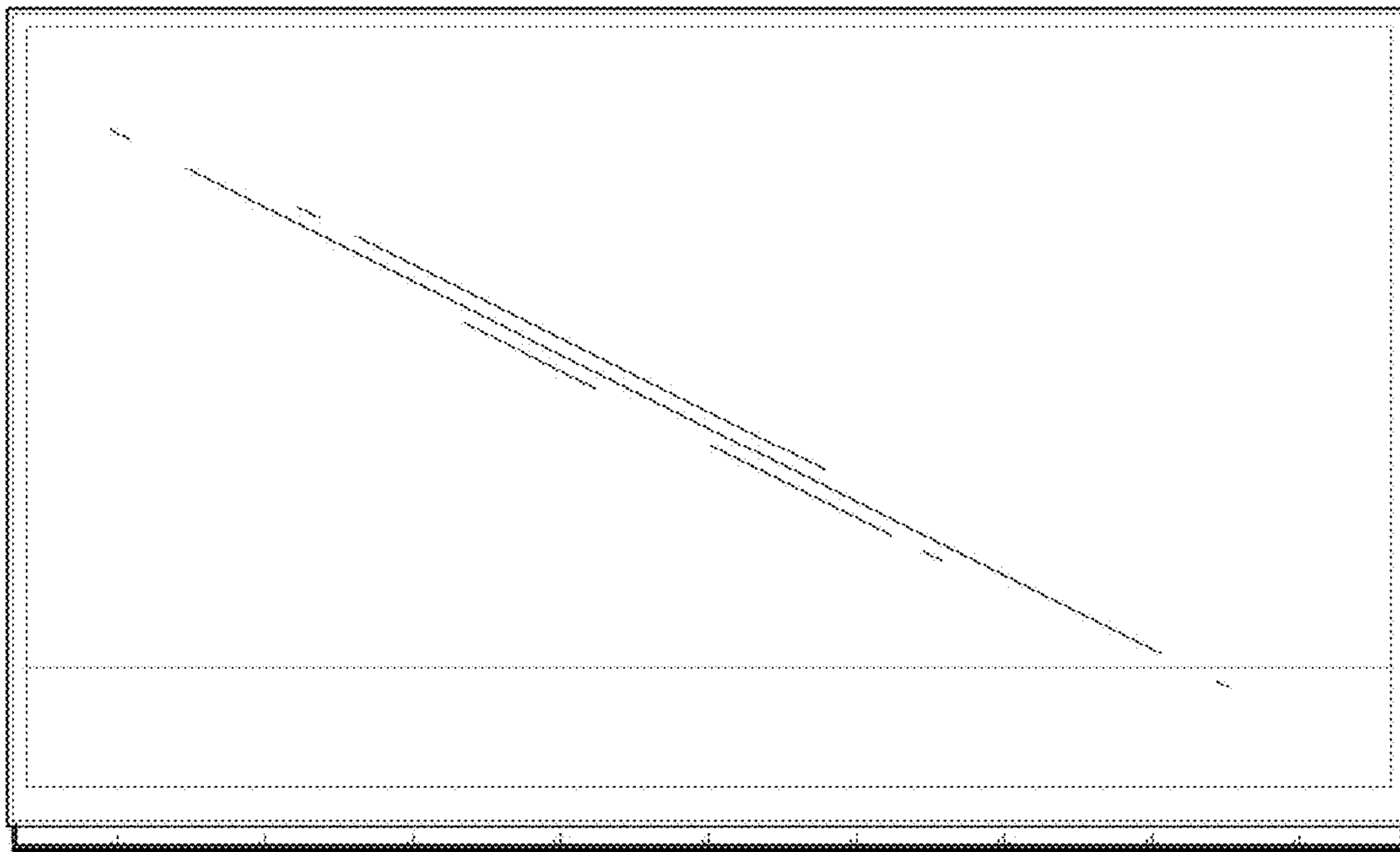
D791,094 S \* 7/2017 Han ..... D14/126  
2016/0131831 A1 \* 5/2016 Tomomasa ..... G02B 6/0031  
348/790

\* cited by examiner

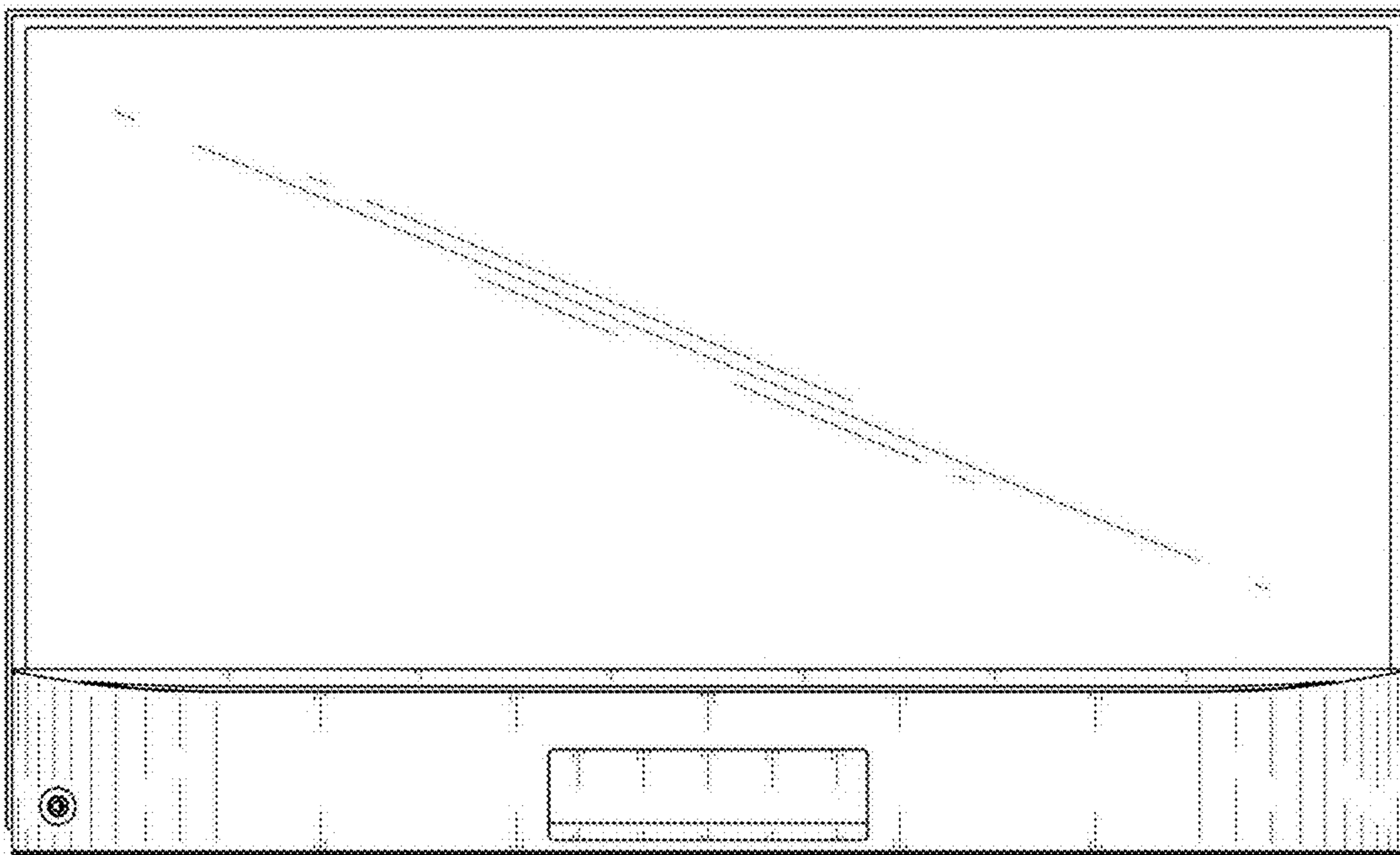
1.1



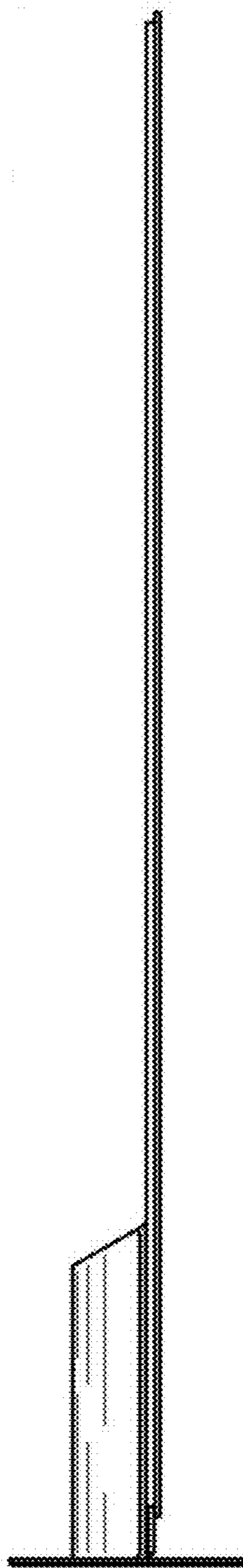
1.2



1.3

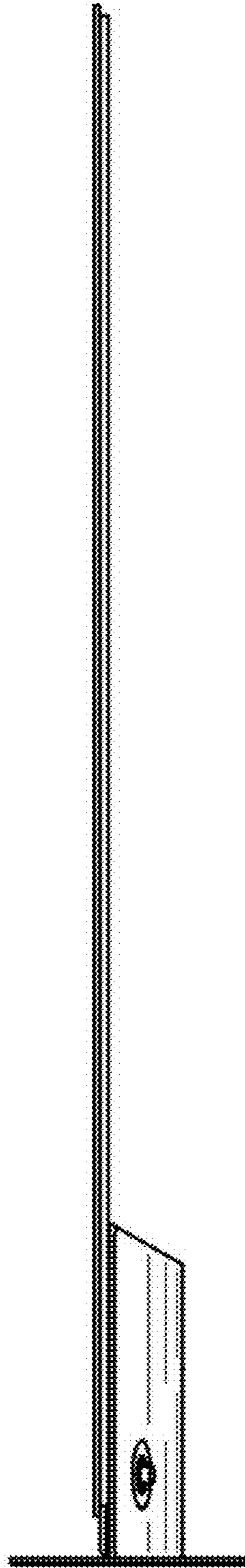


1.4





1.5



1.6





1.7



1.8

