



US00D807312S

(12) **United States Design Patent** (10) **Patent No.:** **US D807,312 S**  
**Jeong et al.** (45) **Date of Patent:** **\*\* Jan. 9, 2018**

(54) **TELEVISION**

(71) Applicant: **Samsung Electronics Co., Ltd.**,  
Suwon-si (KR)  
(72) Inventors: **Heeseok Jeong**, Suwon-si (KR); **Jihye Lee**, Seoul (KR); **Searom Jung**, Seoul (KR); **Daejoong Kim**, Seoul (KR); **Jisoo Lim**, Seoul (KR); **Jeasung Kim**, Hwaseong-si (KR); **Sangyoung Lee**, Anyang-si (KR); **Joonyoung Lee**, Seoul (KR); **Hyungsun Lee**, Yongin-si (KR); **Kyuhyun Cho**, Suwon-si (KR); **Shiyun Cho**, Anyang-si (KR); **Younho Choi**, Seoul (KR)

(73) Assignee: **Samsung Electronics Co., Ltd.**,  
Suwon-si (KR)

(\*\*) Term: **15 Years**

(21) Appl. No.: **29/565,126**

(22) Filed: **May 18, 2016**

(30) **Foreign Application Priority Data**

Nov. 18, 2015 (KR) ..... 30-2015-0058008

(51) **LOC (11) Cl.** ..... **14-03**

(52) **U.S. Cl.**  
USPC ..... **D14/126**

(58) **Field of Classification Search**  
USPC ..... D14/125-134, 239, 371, 374-377, 448, D14/450, 451, 336, 342, 168, 496, 299; D21/329, 515, 577; D10/15, 26; D6/300, 312; D20/10, 19, 21, 27, 39; D16/203, 241, 221, 235; D19/113, 114  
CPC .... G06F 1/1601; G06F 1/1637; G06F 1/1652; G06F 1/1647; G09F 15/0025; G09F 15/0062; G09F 15/0068; G09F 17/00; H04N 5/64; H04N 5/645; H04N 5/655; H05K 5/00; H05K 5/0017; H05K 5/02; H05K 5/0204

See application file for complete search history.

(56) **References Cited**

U.S. PATENT DOCUMENTS

D306,660	S	*	3/1990	Di Cesare	.....	D6/300
D316,569	S	*	4/1991	Leggate	.....	D20/10
D322,287	S	*	12/1991	Sukman	.....	D19/76
D343,396	S	*	1/1994	Yamashita	.....	D14/128
D361,897	S	*	9/1995	Jackson	.....	D6/300
D366,055	S	*	1/1996	Matsunaga	.....	160/24

(Continued)

OTHER PUBLICATIONS

Worlds-largest-fully-retractable-led-tv-cseed201. twistedsifter.com. [online] 12 pgs. Posted Nov. 13, 2012 [Retrieved on Aug. 14, 2017] <http://twistedsifter.com/2012/11/worlds-largest-fully-retractable-led-tv-cseed201/>.\*

(Continued)

*Primary Examiner* — Susan Bennett Hattan  
*Assistant Examiner* — Marie Fast Horse  
(74) *Attorney, Agent, or Firm* — NSIP Law

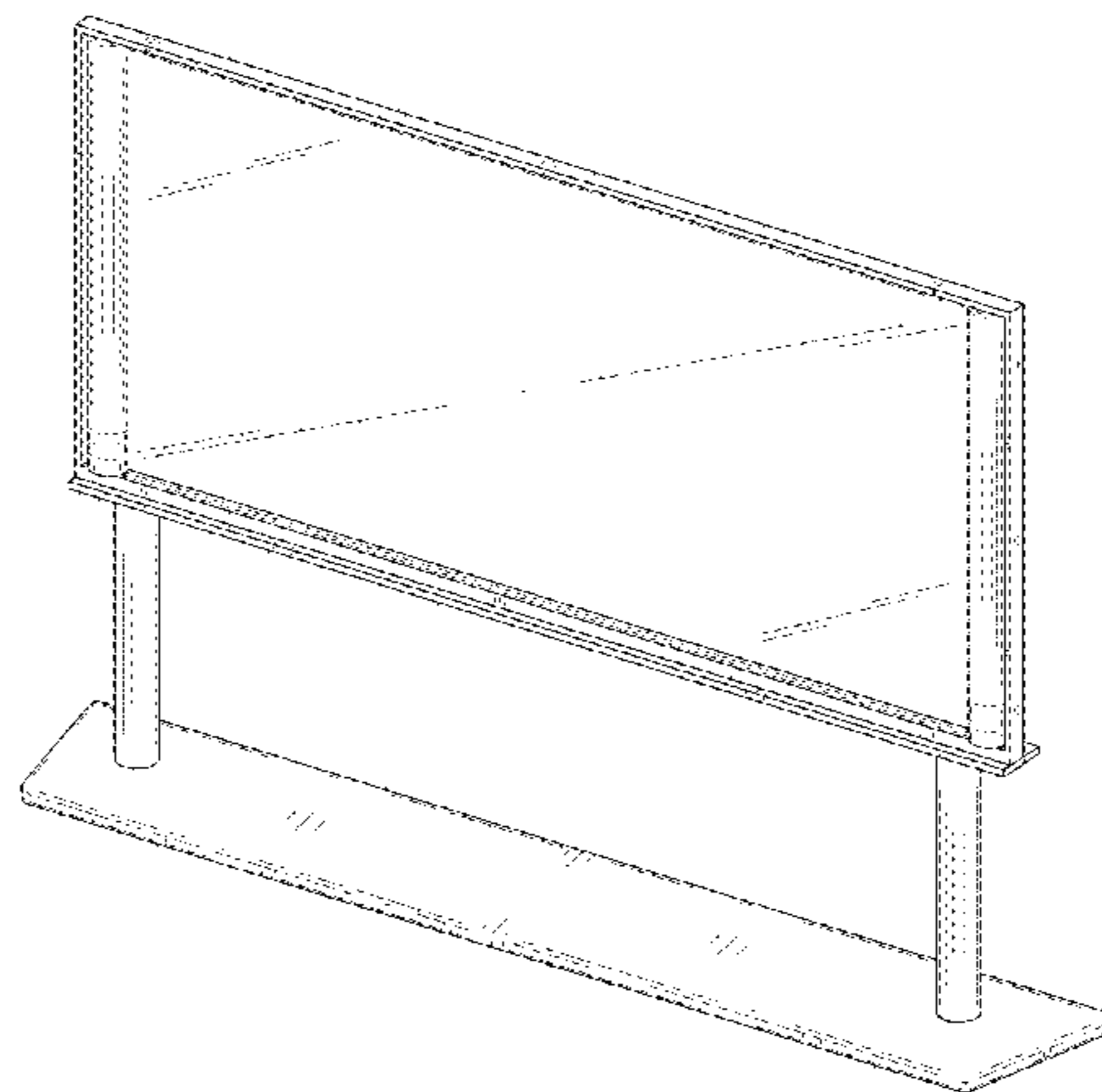
(57) **CLAIM**

We claim the ornamental design for a television, as shown and described.

**DESCRIPTION**

FIG. 1 is a front perspective view of a television showing our new design;  
FIG. 2 is a front view thereof;  
FIG. 3 is a rear view thereof;  
FIG. 4 is a left-side view thereof;  
FIG. 5 is a right-side view thereof;  
FIG. 6 is a top view thereof; and,  
FIG. 7 is a bottom view thereof.  
The broken lines in the figures show portions of the television which form no part of the claimed design.

**1 Claim, 5 Drawing Sheets**



(56)

## References Cited

## U.S. PATENT DOCUMENTS

- D395,677 S \* 6/1998 Gongora ..... D20/10  
D415,205 S \* 10/1999 Canton Gongora ..... D20/10  
D433,713 S \* 11/2000 Olivetti ..... D20/10  
6,191,886 B1 \* 2/2001 Sinkoff ..... G03B 21/58  
160/24  
6,249,377 B1 \* 6/2001 Takamoto ..... G03B 21/58  
160/265  
6,424,463 B1 \* 7/2002 Nishitani ..... G03B 21/60  
359/449  
6,474,009 B2 \* 11/2002 Hahn ..... G09F 1/10  
24/460  
D500,805 S \* 1/2005 Hinds ..... D20/19  
D520,046 S \* 5/2006 Miyagawa ..... D16/241  
D525,603 S \* 7/2006 Williams ..... D14/126  
D525,953 S \* 8/2006 Anzures ..... D14/126  
D568,364 S \* 5/2008 Jeoung ..... D16/241  
7,463,238 B2 \* 12/2008 Funkhouser ..... G06F 1/1601  
345/107  
7,489,444 B1 \* 2/2009 Adams ..... G03B 21/60  
359/461  
D594,894 S \* 6/2009 Adams ..... D16/241  
D596,219 S \* 7/2009 Tatara ..... D16/241  
D607,916 S \* 1/2010 Orion ..... D16/241  
D633,147 S \* 2/2011 Parshad ..... D19/86  
D637,567 S \* 5/2011 Kim ..... D14/126  
D670,670 S \* 11/2012 Kim ..... D14/126  
D671,083 S \* 11/2012 Kim ..... D14/126  
8,376,581 B2 \* 2/2013 Auld ..... G09F 9/33  
340/815.45  
D684,209 S \* 6/2013 Measom ..... D16/241  
D687,497 S \* 8/2013 Mattaliano ..... D20/42  
D712,367 S \* 9/2014 Park ..... D14/126  
D717,753 S \* 11/2014 Totsuka ..... D14/126  
D717,756 S \* 11/2014 Park ..... D14/126  
D720,316 S \* 12/2014 Huh ..... D14/126  
D720,709 S \* 1/2015 Lee ..... D14/126  
D721,666 S \* 1/2015 Son ..... D14/126  
D723,484 S \* 3/2015 Hwangbo ..... D14/126  
D723,487 S \* 3/2015 Lee ..... D14/126  
D726,137 S \* 4/2015 Lee ..... D14/126  
D727,275 S \* 4/2015 Zheng ..... D14/126  
D727,866 S \* 4/2015 Ryu ..... D14/126  
9,063,269 B1 \* 6/2015 Montelongo ..... G02B 27/02  
D735,709 S \* 8/2015 Daniel ..... D14/341  
D744,998 S \* 12/2015 Ahn ..... D14/341  
D753,097 S \* 4/2016 Hochman ..... D14/239  
D755,137 S \* 5/2016 Won ..... D14/126  
D755,139 S \* 5/2016 Kim ..... D14/126  
D755,141 S \* 5/2016 Park ..... D14/126  
D759,620 S \* 6/2016 Kim ..... D14/126  
D762,601 S \* 8/2016 Seo ..... D14/126  
D762,602 S \* 8/2016 Han ..... D14/126  
D766,852 S \* 9/2016 Seo ..... D14/126  
D766,857 S \* 9/2016 Won ..... D14/126  
D766,858 S \* 9/2016 Lee ..... D14/126
- D773,417 S \* 12/2016 Kim ..... D14/126  
D773,866 S \* 12/2016 Hogberg ..... D6/681  
D774,509 S \* 12/2016 Covello ..... D14/374  
D776,072 S \* 1/2017 Kim ..... D14/126  
D776,631 S \* 1/2017 Kim ..... D14/126  
D783,553 S \* 4/2017 Kim ..... D14/126  
D784,941 S \* 4/2017 Lee ..... D14/126  
D785,071 S \* 4/2017 Measom ..... D16/241  
D785,582 S \* 5/2017 Lee ..... D14/126  
D785,607 S \* 5/2017 Lee ..... D14/126  
D786,814 S \* 5/2017 Lee ..... D14/126  
D786,842 S \* 5/2017 Lee ..... D14/126  
D786,843 S \* 5/2017 Lee ..... D14/126  
D788,052 S \* 5/2017 Choi ..... D14/126  
D789,900 S \* 6/2017 Lee ..... D14/126  
D791,094 S \* 7/2017 Han ..... D14/126  
2003/0160892 A1 \* 8/2003 Tamura ..... H04N 5/2251  
348/333.07  
2006/0279840 A1 \* 12/2006 Yamauchi ..... G03B 21/56  
359/461  
2007/0241002 A1 \* 10/2007 Wu ..... G06F 1/1601  
206/150  
2008/0212271 A1 \* 9/2008 Misawa ..... G02F 1/133305  
361/679.01  
2014/0268532 A1 \* 9/2014 Nicol ..... G09F 15/0062  
361/679.26  
2014/0362512 A1 \* 12/2014 Hinson ..... G06F 15/025  
361/679.21  
2015/0002398 A1 \* 1/2015 Nakhimov ..... G06F 1/1652  
345/163  
2015/0047796 A1 \* 2/2015 Peng ..... E06B 9/42  
160/323.1  
2016/0035310 A1 \* 2/2016 Song ..... G06F 3/017  
345/156  
2016/0226021 A1 \* 8/2016 Lee ..... H01L 51/5253  
2016/0238861 A1 \* 8/2016 Yura ..... G02F 1/1303  
2016/0374228 A1 \* 12/2016 Park ..... G09F 9/301  
2016/0379589 A1 \* 12/2016 Longo ..... H05K 5/0221  
345/520  
2017/0060183 A1 \* 3/2017 Zhang ..... G06F 1/1605  
2017/0090659 A1 \* 3/2017 Shiozaki ..... G06F 1/1652  
2017/0103735 A1 \* 4/2017 Oh ..... G06F 1/1626  
2017/0196102 A1 \* 7/2017 Shin ..... G01R 33/072  
2017/0196103 A1 \* 7/2017 Cho ..... H05K 5/0017

## OTHER PUBLICATIONS

Sony-oled-display-flexible-rollable-display. thecoolgadgets.com.  
[online] 8 pgs. Posted before 2012 [Retrieved on Aug. 14, 2017]  
[http://thecoolgadgets.com/sony-oled-display-flexible-rollable-dis-  
play-pxx-derivatives-high-performance-semiconductor-materials/](http://thecoolgadgets.com/sony-oled-display-flexible-rollable-display-pxx-derivatives-high-performance-semiconductor-materials/). \*  
Televisions. (Design—©Questel). orbit.com.[online PDF] 61 pgs.  
Print Dates range Dec. 5, 2014 through Jun. 30, 2017 [retrieved on  
Aug. 15, 2017] [https://sobjprd.questel.fr/export/QPTUJ214/pdf2/  
202b70ff-d487-42aa-8f93-7345bfa0a0c7-202827.pdf](https://sobjprd.questel.fr/export/QPTUJ214/pdf2/202b70ff-d487-42aa-8f93-7345bfa0a0c7-202827.pdf). \*

\* cited by examiner

FIG. 1

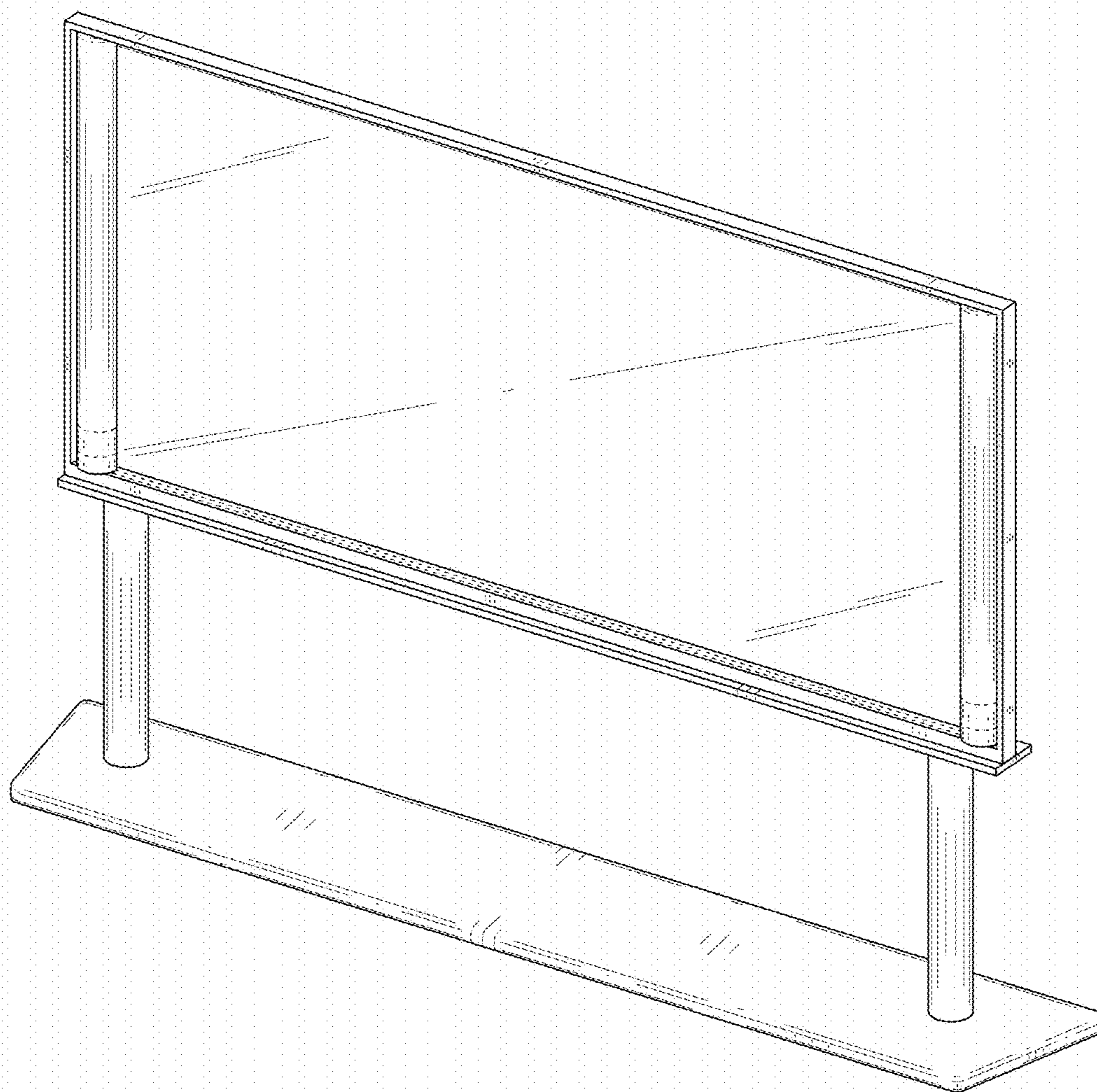


FIG. 2

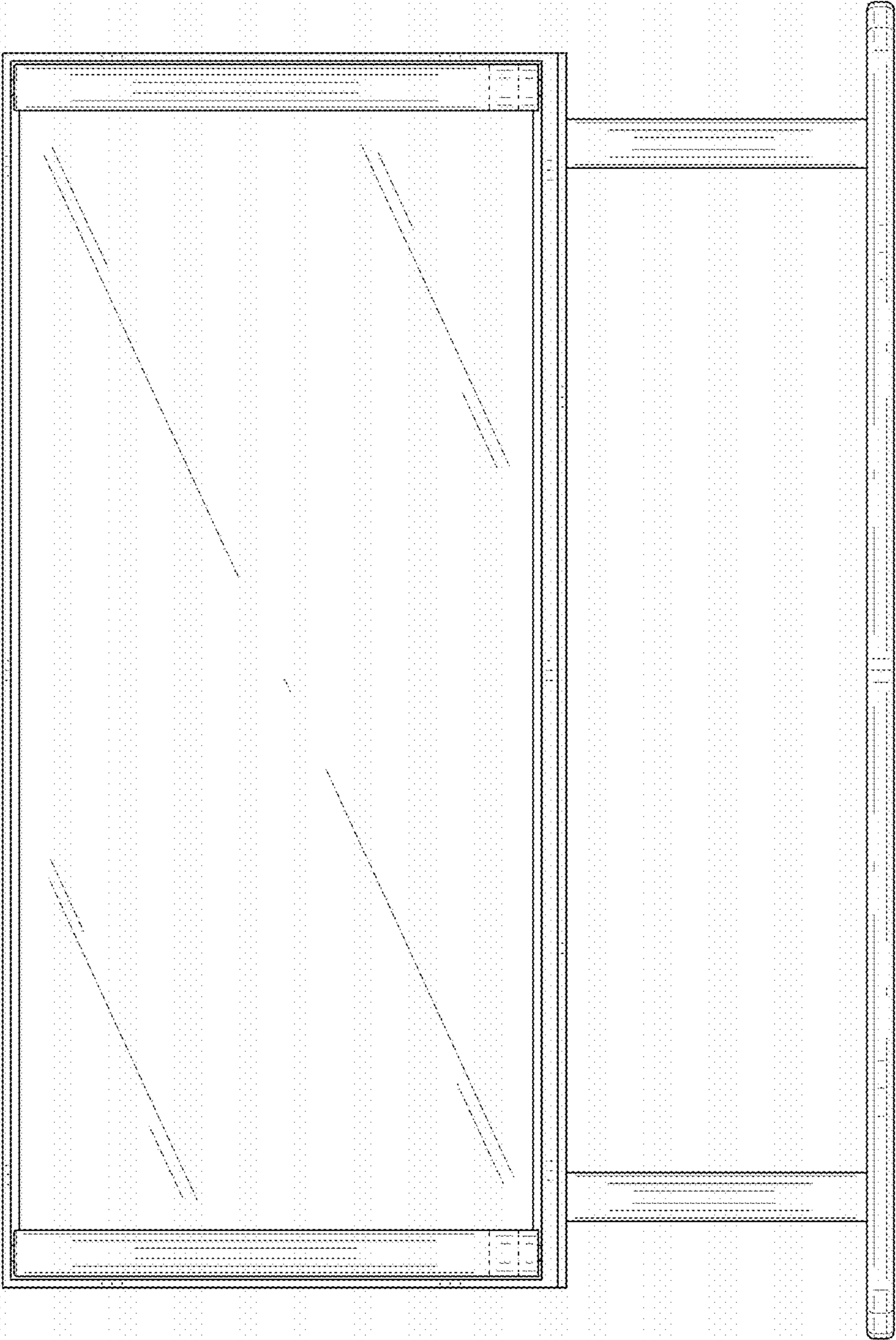


FIG. 3

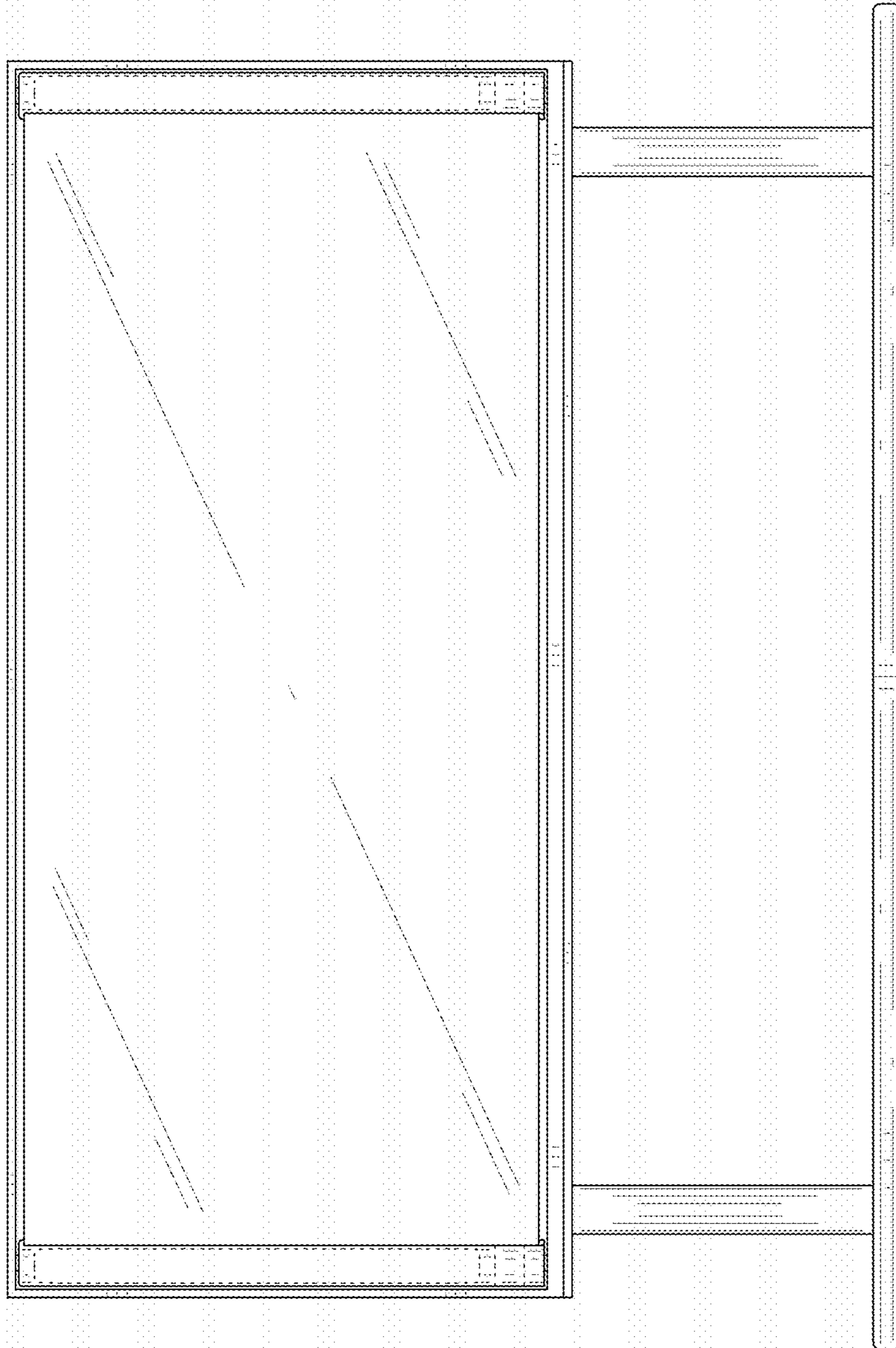


FIG. 5

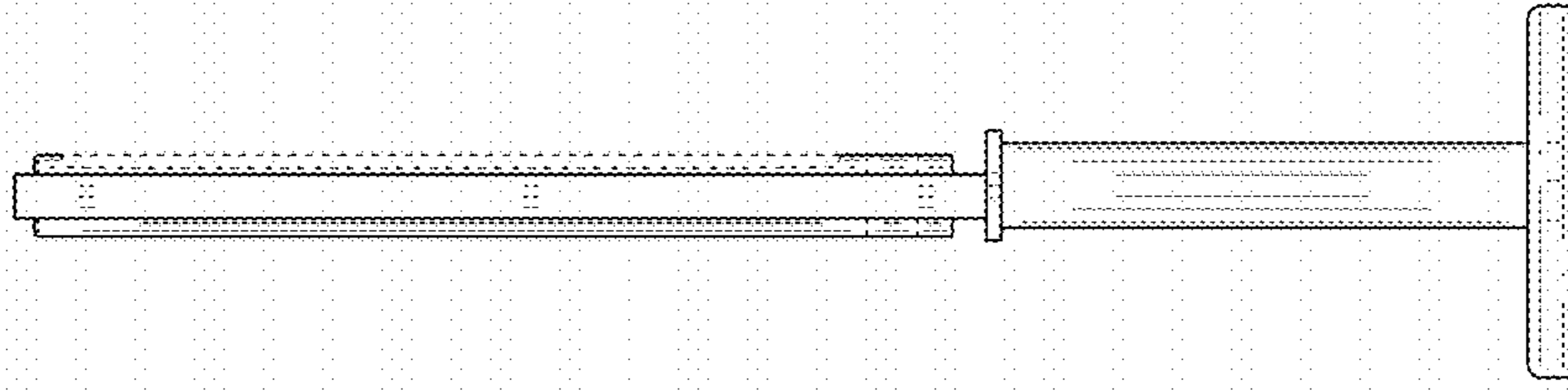


FIG. 4

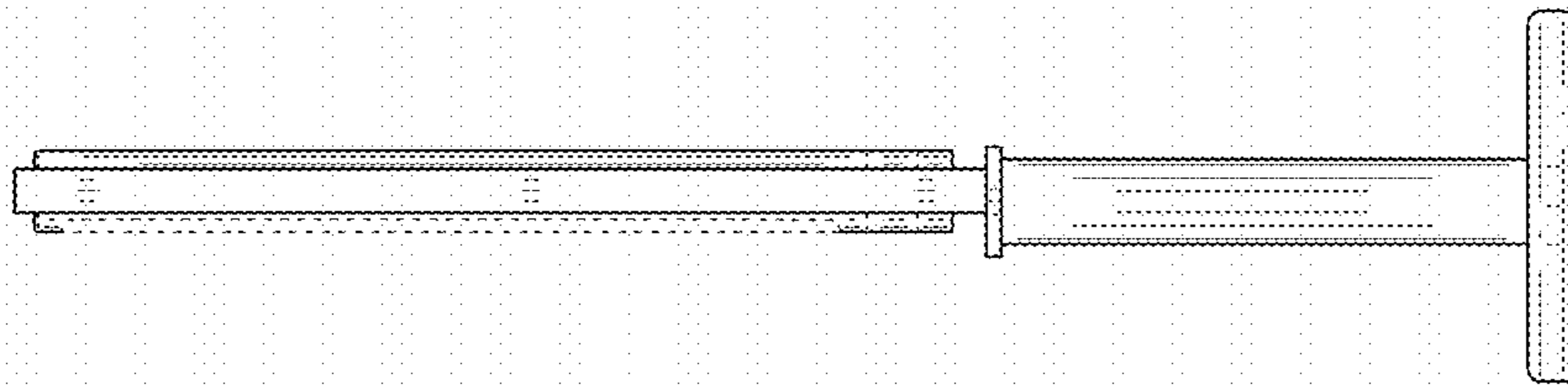


FIG. 6

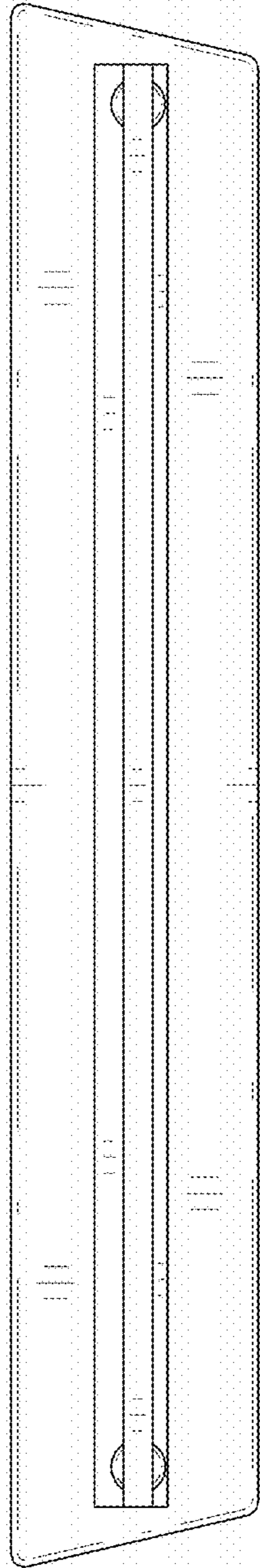


FIG. 7

