



US00D807309S

(12) **United States Design Patent**  
**Johnson et al.**

(10) **Patent No.:** **US D807,309 S**  
(45) **Date of Patent:** **\*\* Jan. 9, 2018**

- (54) **ROTARY DIAL FOR A SWITCH PANEL USER INTERFACE**
- (71) Applicant: **Caterpillar Inc.**, Peoria, IL (US)
- (72) Inventors: **Terril James Johnson**, Washington, IL (US); **Ashley Dallas Menges**, Clayton, NC (US)
- (73) Assignee: **Caterpillar Inc.**, Peoria, IL (US)
- (\*\*) Term: **15 Years**
- (21) Appl. No.: **29/573,816**
- (22) Filed: **Aug. 10, 2016**
- (51) **LOC (11) Cl.** ..... **13-03**
- (52) **U.S. Cl.**  
USPC ..... **D13/174**
- (58) **Field of Classification Search**  
USPC ..... D13/162, 171, 174, 177; D8/300, 307, D8/310, 312  
CPC .. H01H 3/02; H01H 3/08; H01H 3/12; H01H 3/16; H01H 13/04; H01H 13/14; H01H 19/04; H01H 19/14; G06F 3/0362; G05G 1/08; G05G 1/10; H02G 3/14; H05K 5/0017; H05K 5/0026  
See application file for complete search history.

- 7,223,926 B1 \* 5/2007 Gannon ..... G05G 1/082 200/11 R
- D570,300 S \* 6/2008 Weinberg ..... D13/174
- 7,450,108 B2 \* 11/2008 Clabunde ..... G05G 9/047 200/18
- 7,680,574 B2 \* 3/2010 Berg ..... B60K 35/00 345/173
- 8,067,709 B2 \* 11/2011 Han ..... B62D 1/046 200/336
- D698,754 S \* 2/2014 Vuillet ..... D13/168
- 8,698,030 B2 \* 4/2014 Yokoyama ..... G06F 3/03547 200/600
- 8,901,443 B2 \* 12/2014 Baker ..... G06F 3/0362 200/17 R
- 8,987,620 B2 \* 3/2015 Gohng ..... G06F 3/016 200/61.54
- 9,361,000 B2 \* 6/2016 Furue ..... G06F 3/0482
- 9,423,894 B2 \* 8/2016 Olsson ..... G05G 9/047
- D765,611 S \* 9/2016 Kaliauer ..... D13/177
- 9,542,017 B2 \* 1/2017 Sakai ..... B29C 45/16

(Continued)

*Primary Examiner* — Selina Sikder

(57) **CLAIM**

The ornamental design for a rotary dial for a switch panel user interface, as shown and described.

**DESCRIPTION**

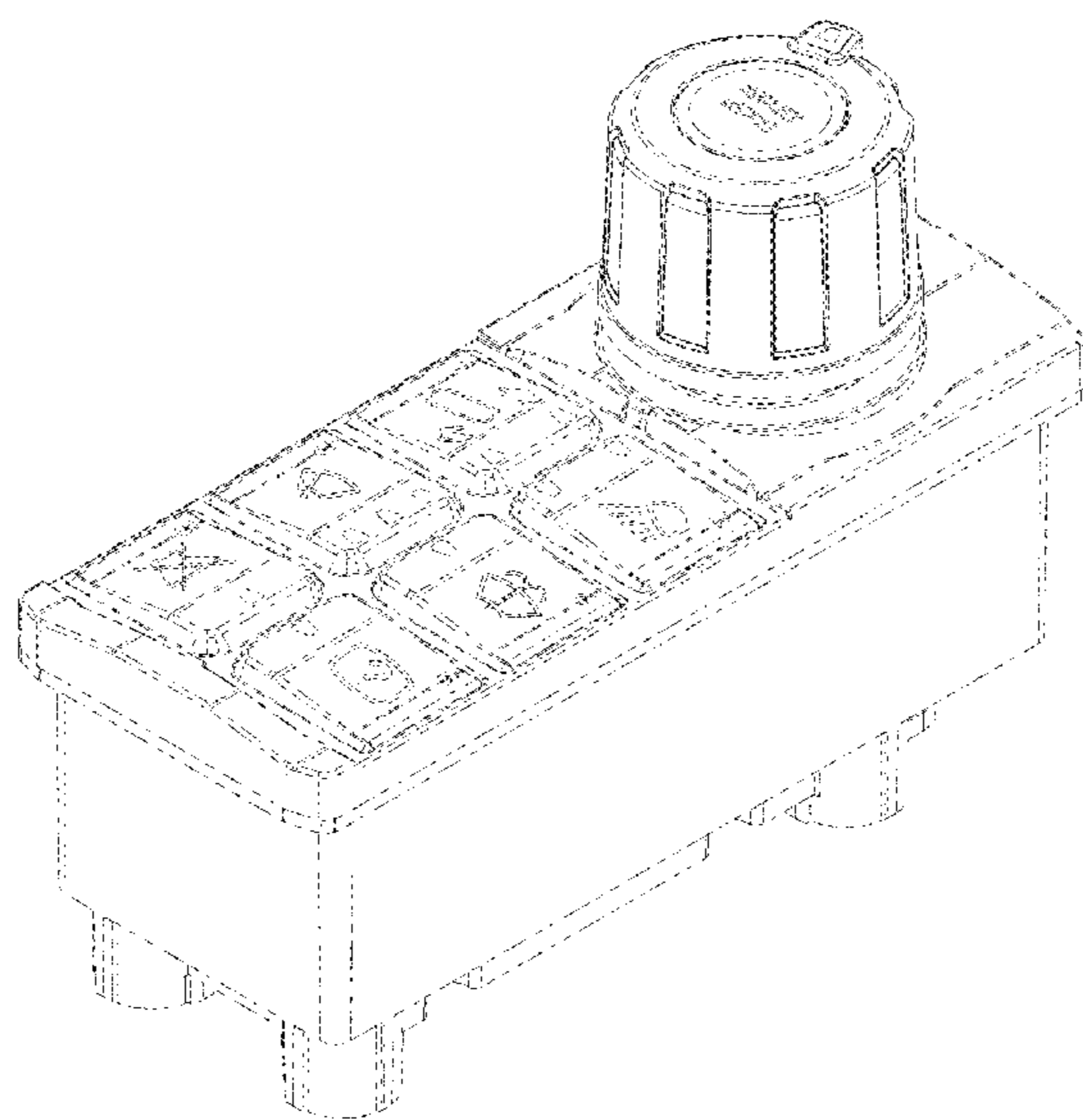
FIG. 1 is a perspective view of a rotary dial for a switch panel user interface showing our new design; FIG. 2 is a top view thereof; FIG. 3 is a side view thereof; FIG. 4 is a front view thereof; and, FIG. 5 is a rear view thereof.

The dashed broken lines represent structure or features which form no part of the claimed design; the broken lines themselves form no part of the claimed design.

The dot-dash broken lines represent boundaries of the claimed design; the dot-dash broken lines themselves form no part of the claimed design.

**1 Claim, 5 Drawing Sheets**

- (56) **References Cited**  
U.S. PATENT DOCUMENTS
- 4,373,405 A \* 2/1983 Geil ..... G05G 1/08 188/67
- D377,337 S \* 1/1997 Schaeffer ..... D13/171
- 5,765,449 A \* 6/1998 LeMire ..... G05G 1/12 16/441
- D432,998 S \* 10/2000 Decosse ..... D13/174
- D469,411 S \* 1/2003 Decosse ..... D13/171
- D507,543 S \* 7/2005 Ishii ..... D13/174
- D513,237 S \* 12/2005 Langner ..... D13/174



(56)

References Cited

U.S. PATENT DOCUMENTS

9,607,789 B1 \* 3/2017 Hodea ..... H01H 13/58  
 9,646,781 B1 \* 5/2017 Gluchman, Jr. .... H01H 13/14  
 9,691,563 B2 \* 6/2017 Okazaki ..... H01H 3/12  
 9,710,077 B2 \* 7/2017 Okazaki ..... G06F 3/0362  
 2005/0189205 A1 \* 9/2005 Fujii ..... H01H 9/182  
 200/314  
 2006/0237294 A1 \* 10/2006 Greer ..... H01H 1/5805  
 200/313  
 2010/0000846 A1 \* 1/2010 Nemetz ..... B25F 5/00  
 200/336  
 2012/0247934 A1 \* 10/2012 Schmidt ..... H01H 19/14  
 200/336  
 2013/0199901 A1 \* 8/2013 Kreider ..... B60K 37/06  
 200/4  
 2013/0313092 A1 \* 11/2013 Inoue ..... H01H 3/12  
 200/341  
 2014/0380243 A1 \* 12/2014 Furue ..... G06F 3/0482  
 715/835

2015/0041292 A1 \* 2/2015 Sugiura ..... H01H 13/14  
 200/17 R  
 2015/0077954 A1 \* 3/2015 Wang ..... H01H 35/00  
 361/752  
 2015/0150646 A1 \* 6/2015 Pryor ..... G06F 3/0362  
 345/174  
 2015/0231969 A1 \* 8/2015 Holl ..... B60K 37/06  
 345/158  
 2015/0251573 A1 \* 9/2015 Misch ..... B60N 2/665  
 297/452.41  
 2015/0331441 A1 \* 11/2015 Ho ..... H05K 5/0239  
 361/752  
 2015/0340178 A1 \* 11/2015 Shimoyama ..... H01H 3/022  
 200/4  
 2016/0077588 A1 \* 3/2016 Adams ..... B60K 37/00  
 345/174  
 2016/0085321 A1 \* 3/2016 Jung ..... G06F 3/0362  
 345/184

\* cited by examiner

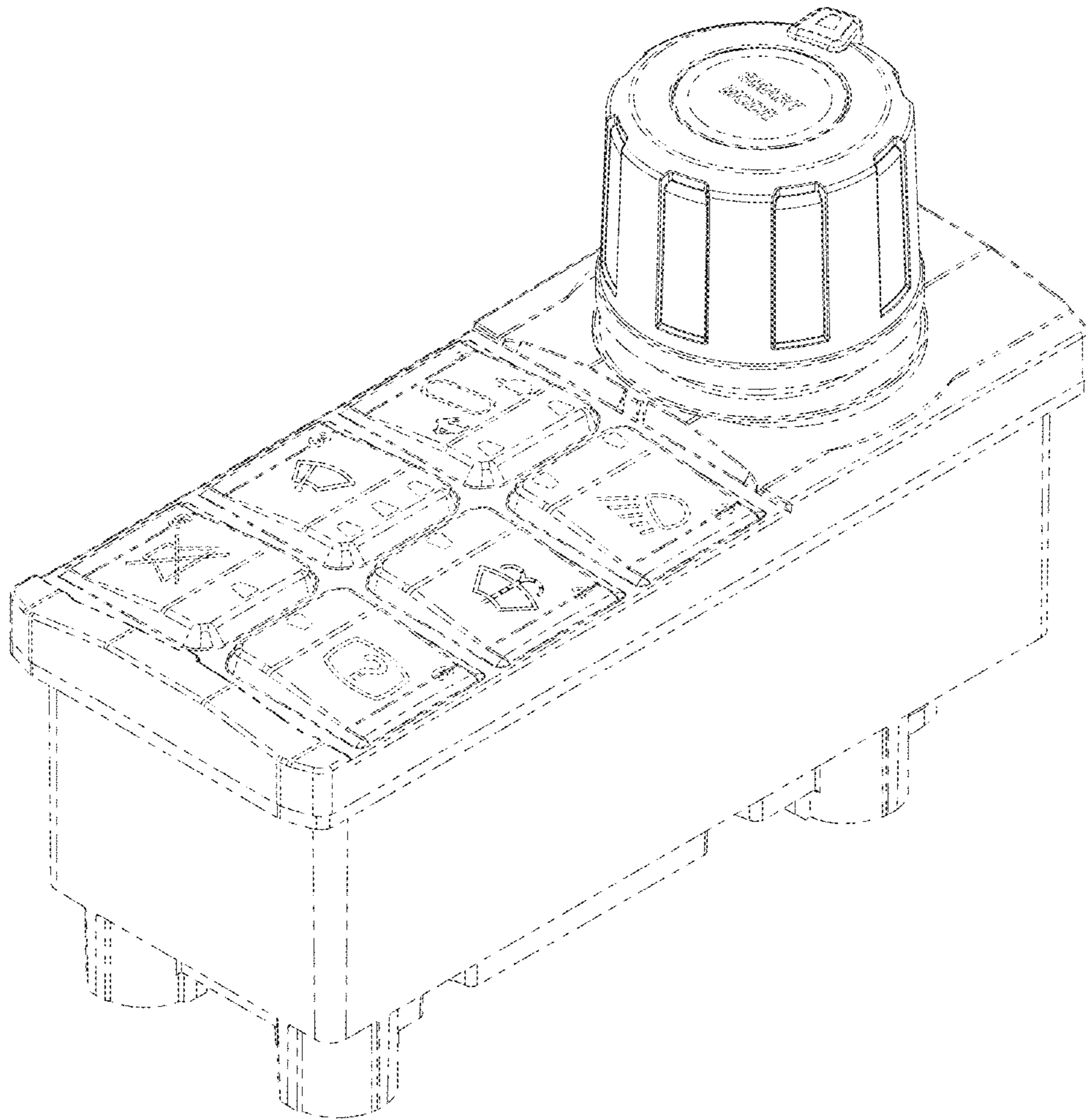


FIG. 1

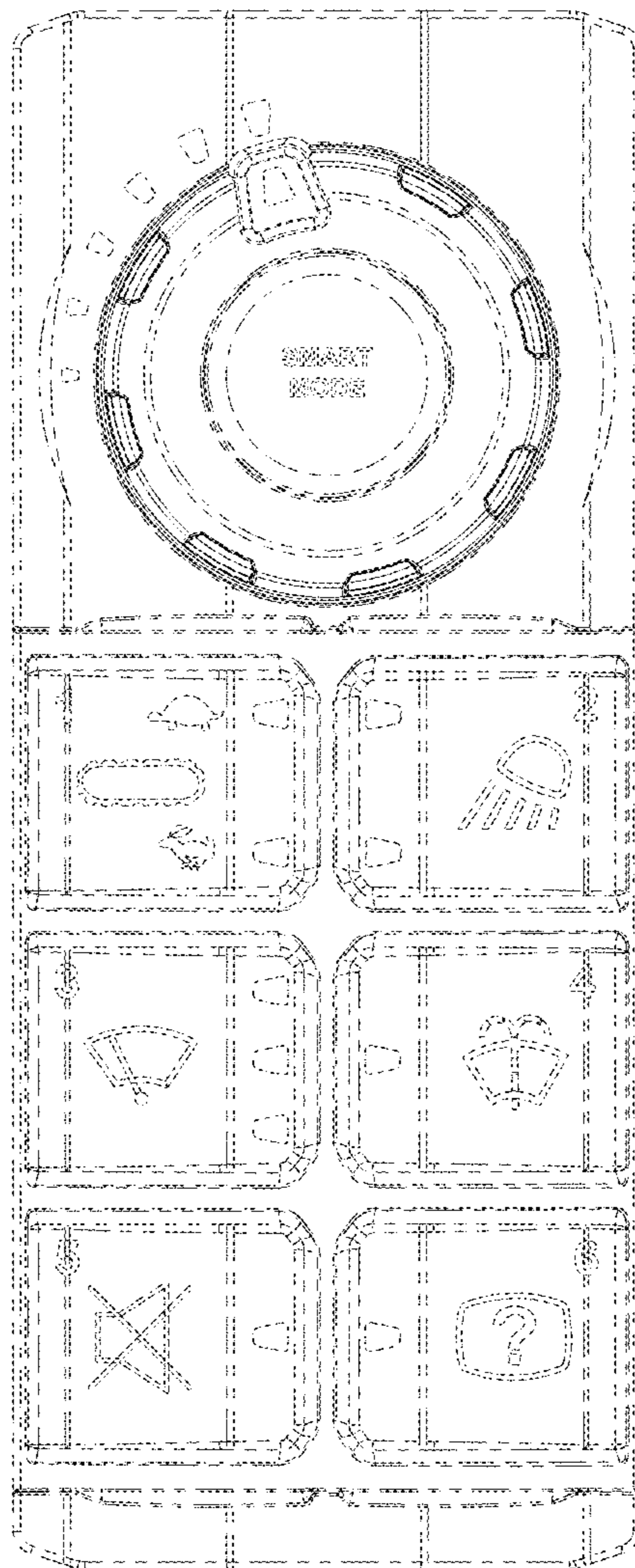


FIG. 2

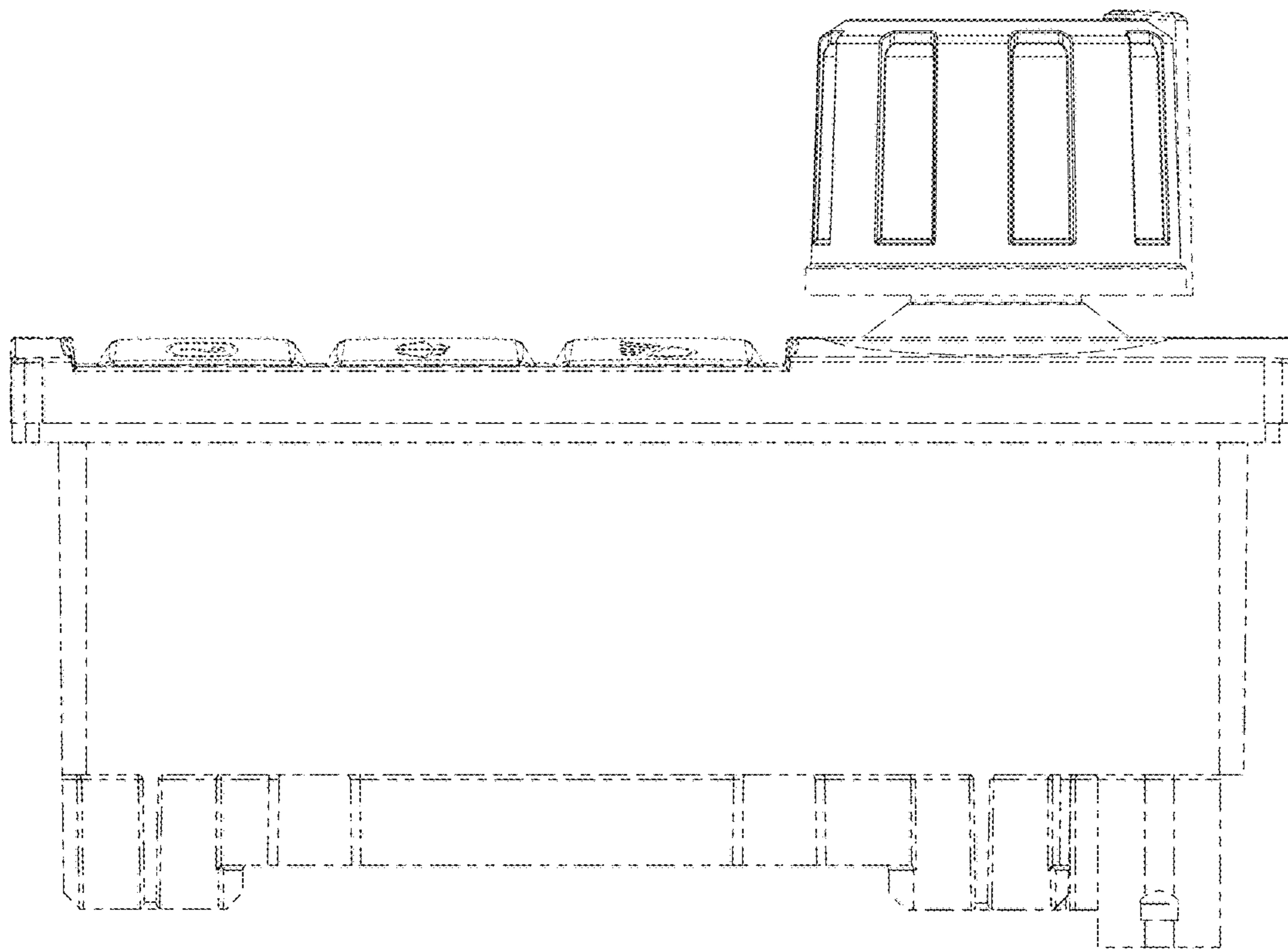


FIG. 3

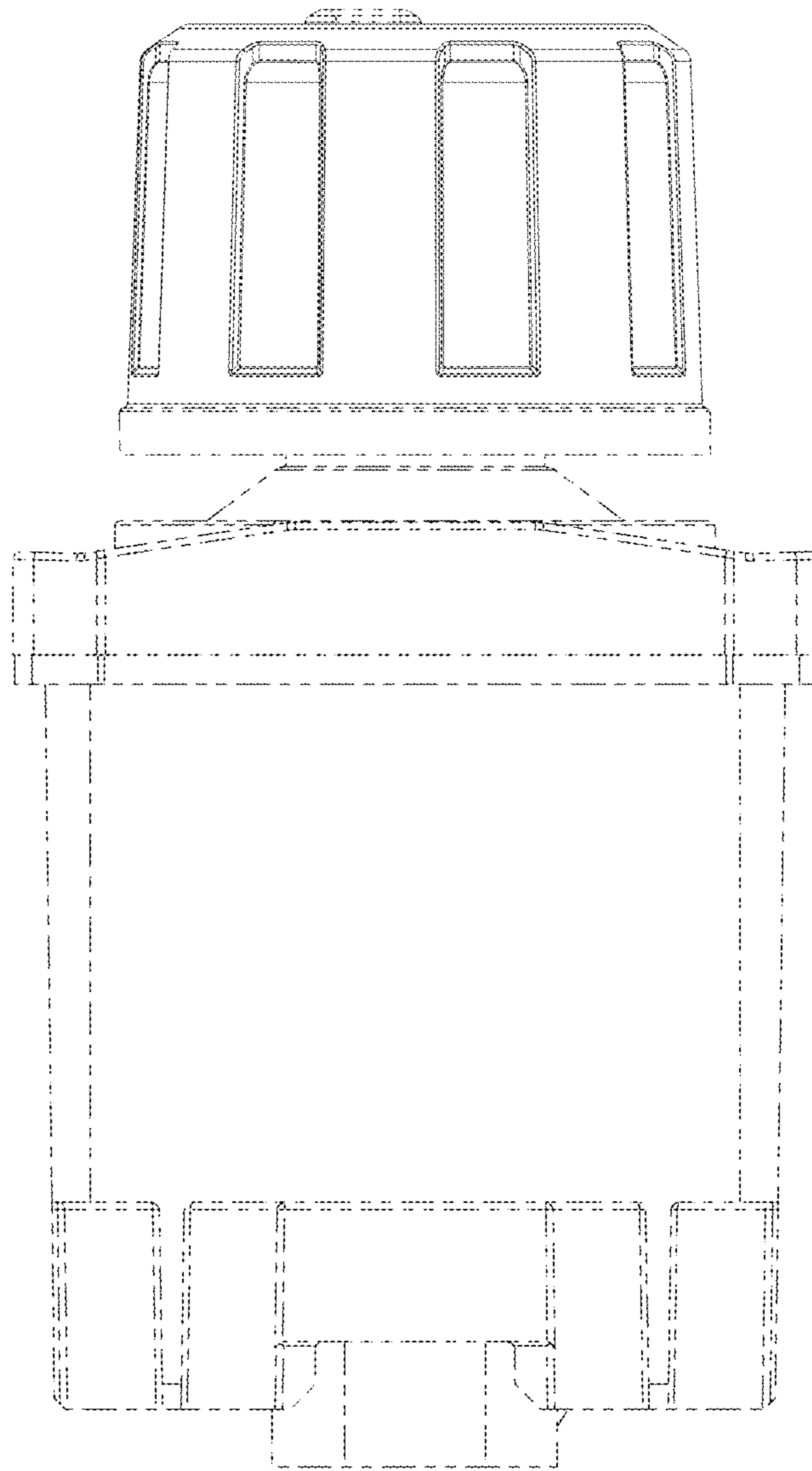


FIG. 4

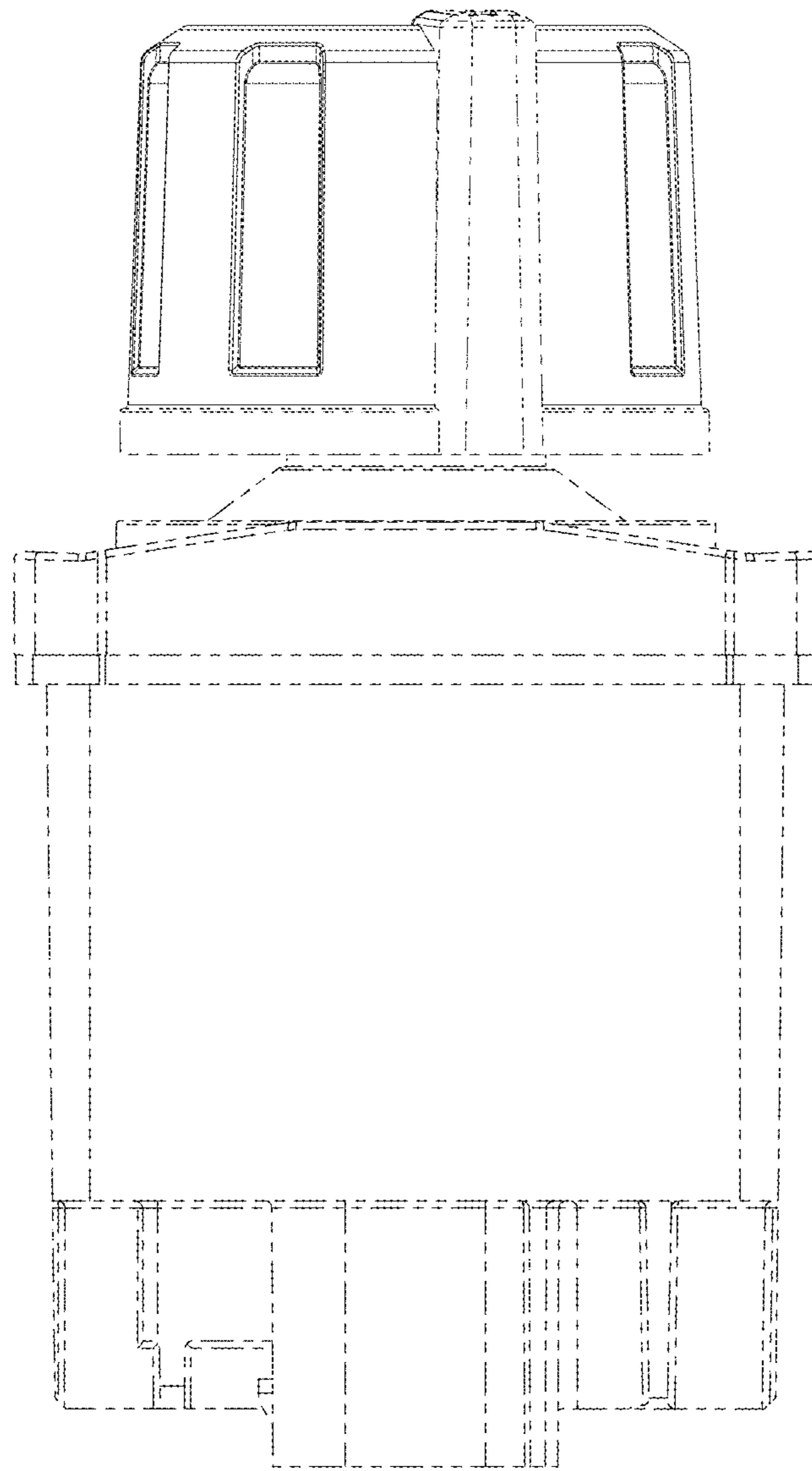


FIG. 5