



US00D807303S

(12) **United States Design Patent**
Newell et al.

(10) **Patent No.:** **US D807,303 S**
(45) **Date of Patent:** **** Jan. 9, 2018**

- (54) **PANEL ENCLOSURE**
- (71) Applicant: **S.J. Electro Systems, Inc.**, Detroit Lakes, MN (US)
- (72) Inventors: **Jonathan F Newell**, Madison, WI (US); **Aron Cole Badurek**, Detroit Lakes, MN (US)
- (73) Assignee: **S.J. Electro Systems, Inc.**, Detroit Lakes, MN (US)

- D531,961 S * 11/2006 Greenfield H02G 3/088 D13/156
- D560,170 S * 1/2008 Ni D13/152
- D593,970 S * 6/2009 Sonntag D13/184
- D702,198 S * 4/2014 Gretz D13/152
- D741,812 S * 10/2015 Leung D13/152
- D742,326 S * 11/2015 Leung D13/152
- 2002/0139555 A1 * 10/2002 Dodds H02B 1/44 174/50
- 2008/0121405 A1 * 5/2008 Rauhley H02G 3/081 174/58
- 2013/0228571 A1 * 9/2013 McWilliams, Jr. H05K 7/18 220/3.9

(**) Term: **15 Years**

(21) Appl. No.: **29/576,655**

(22) Filed: **Sep. 6, 2016**

(51) **LOC (11) Cl.** **13-03**

(52) **U.S. Cl.**
USPC **D13/156**

(58) **Field of Classification Search**
USPC D13/152, 154, 156, 177, 184; 174/64, 174/66, 67
CPC H02G 3/08; H02G 3/081; H02G 3/086; H02G 3/10; H02G 3/12; H02G 3/126; H02G 3/14; H02G 3/16; H02G 3/18; H01R 13/74; H01R 31/065
See application file for complete search history.

(56) **References Cited**

U.S. PATENT DOCUMENTS

- 5,352,850 A * 10/1994 Norris H02G 3/16 174/51
- 5,789,702 A * 8/1998 Perella H02G 3/16 174/481
- D418,114 S * 12/1999 Hayduke D13/156
- 6,449,141 B1 * 9/2002 Hartel H02B 1/40 174/480
- D486,452 S * 2/2004 Dinh D13/156
- D499,070 S * 11/2004 Lavington D13/119

(Continued)

Primary Examiner — Selina Sikder

(74) *Attorney, Agent, or Firm* — Dicke, Billig & Czaja, PLLC

(57) **CLAIM**

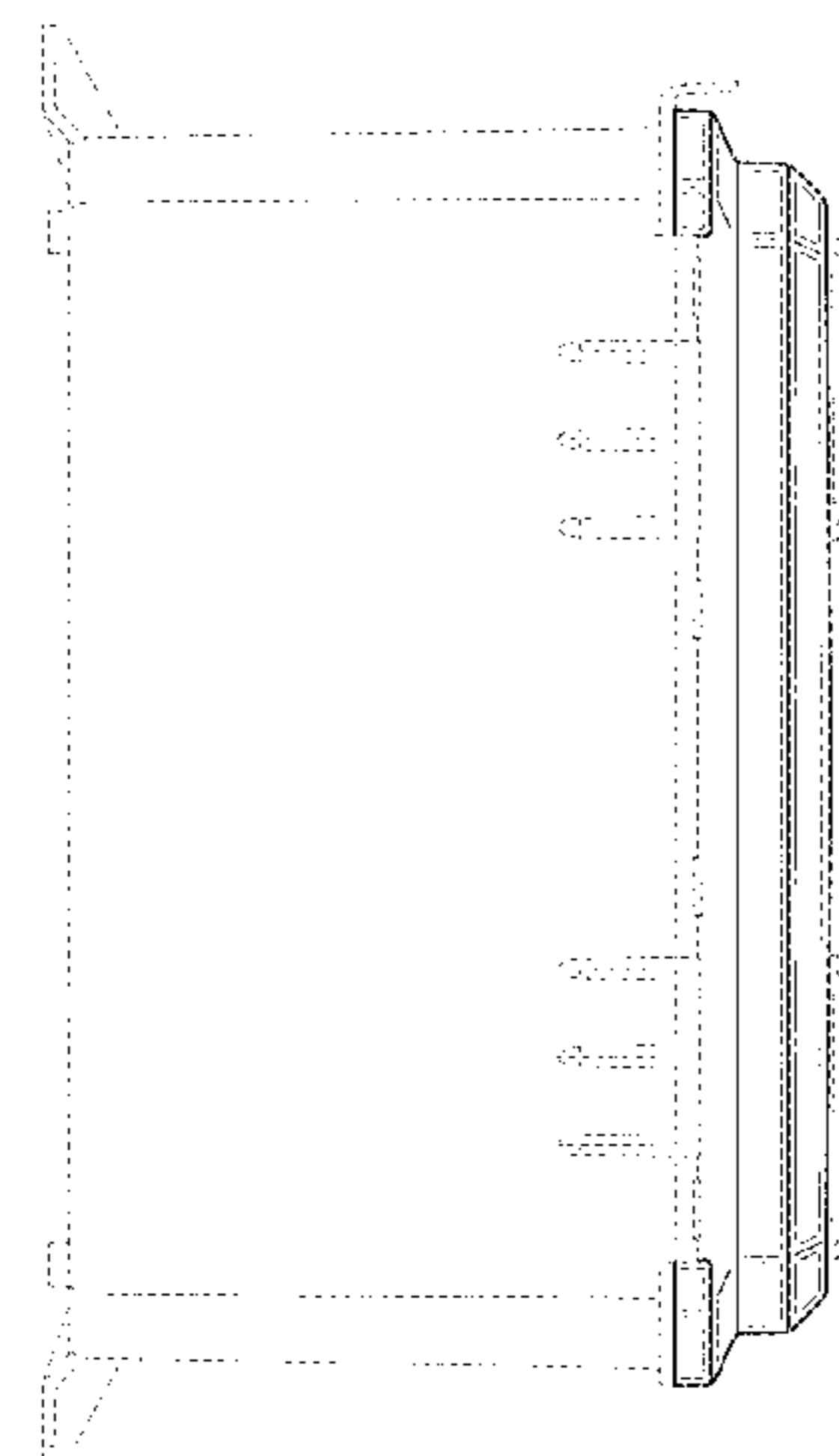
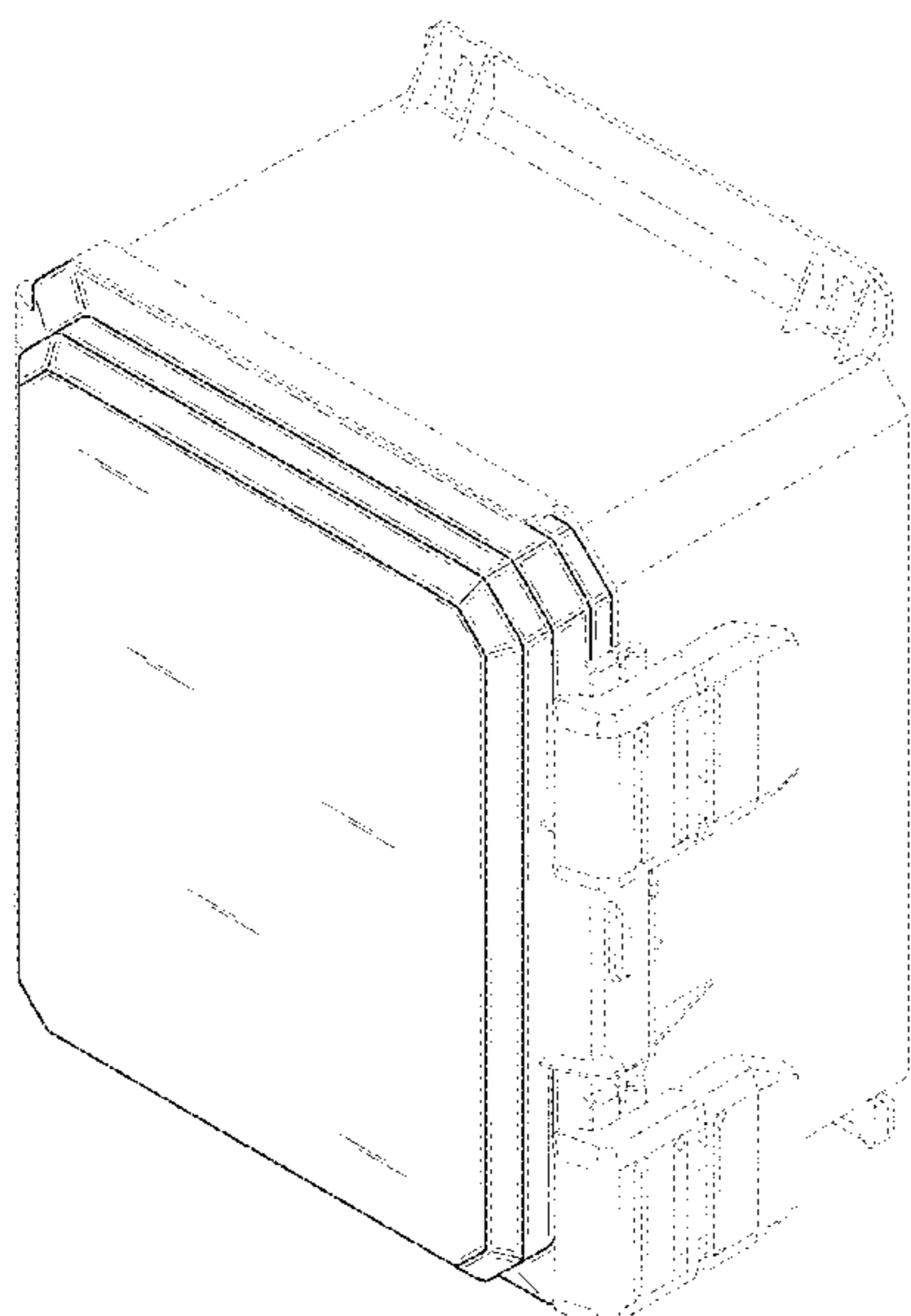
The ornamental design for a panel enclosure, as shown and described.

DESCRIPTION

FIG. 1 is a front perspective view of a panel enclosure showing an embodiment of the new design; FIG. 2 is a front view of the embodiment shown in FIG. 1; FIG. 3 is a rear view of the embodiment shown in FIG. 1; FIG. 4 is a first side view of the embodiment shown in FIG. 1; FIG. 5 is a second side view of the embodiment shown in FIG. 1; FIG. 6 is a top view of the embodiment shown in FIG. 1; and, FIG. 7 is a bottom view of the embodiment shown in FIG. 1.

The broken lines shown in the drawing views illustrate environmental structure only and do form no part of the claimed design.

1 Claim, 7 Drawing Sheets



(56)

References Cited

U.S. PATENT DOCUMENTS

2014/0263298 A1* 9/2014 Jones H02G 3/14
220/3.8

* cited by examiner

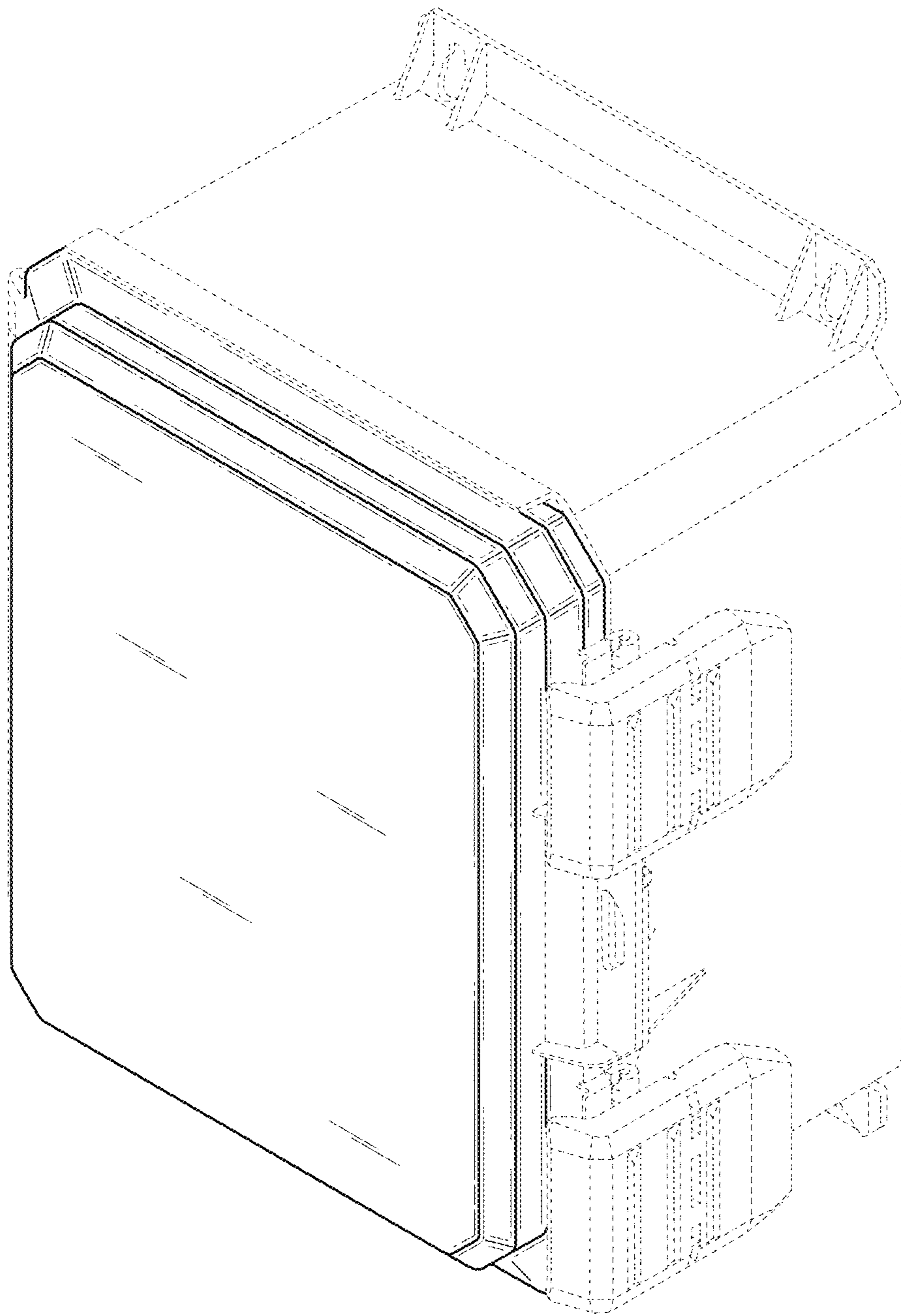


Fig. 1

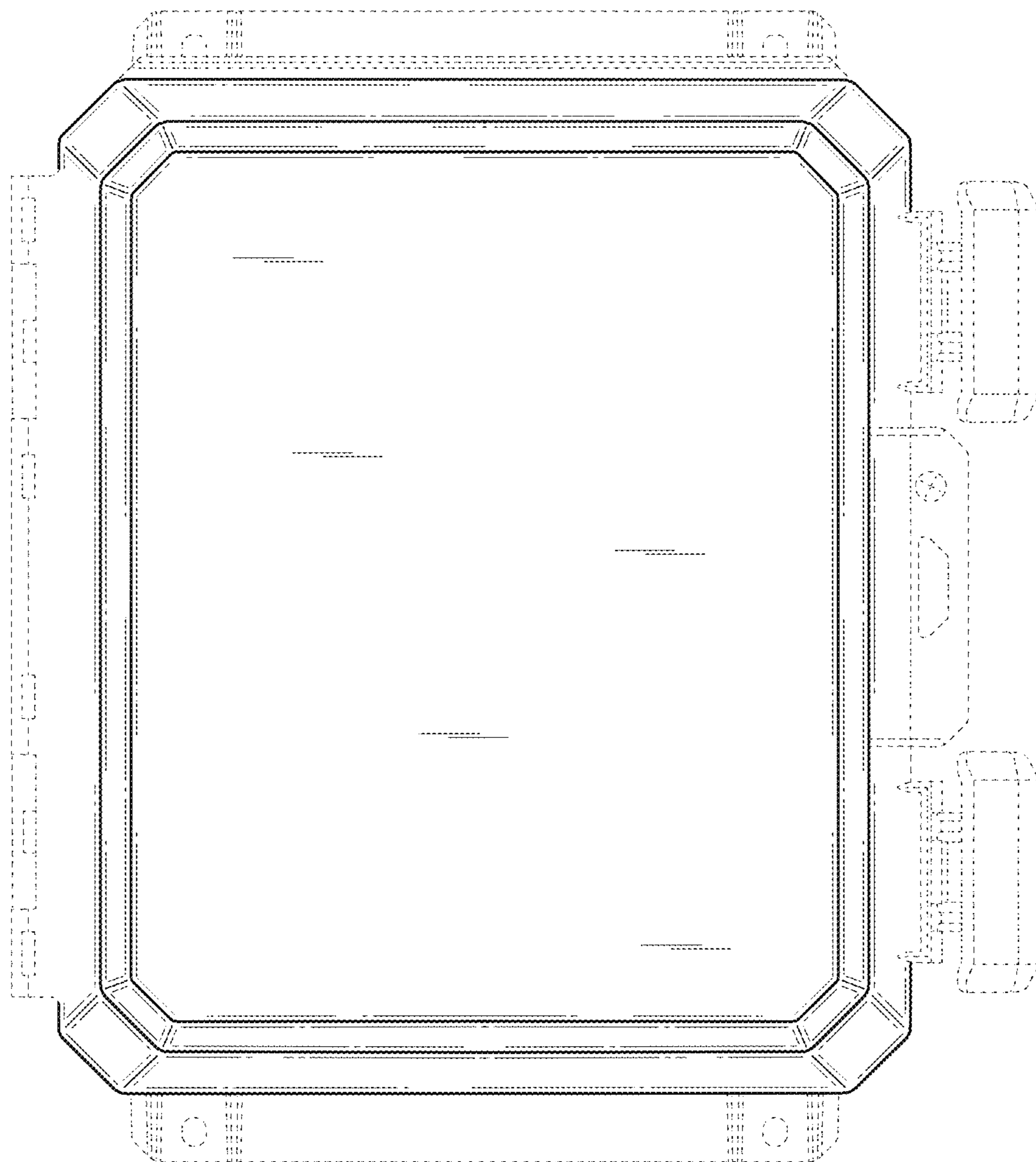


Fig. 2

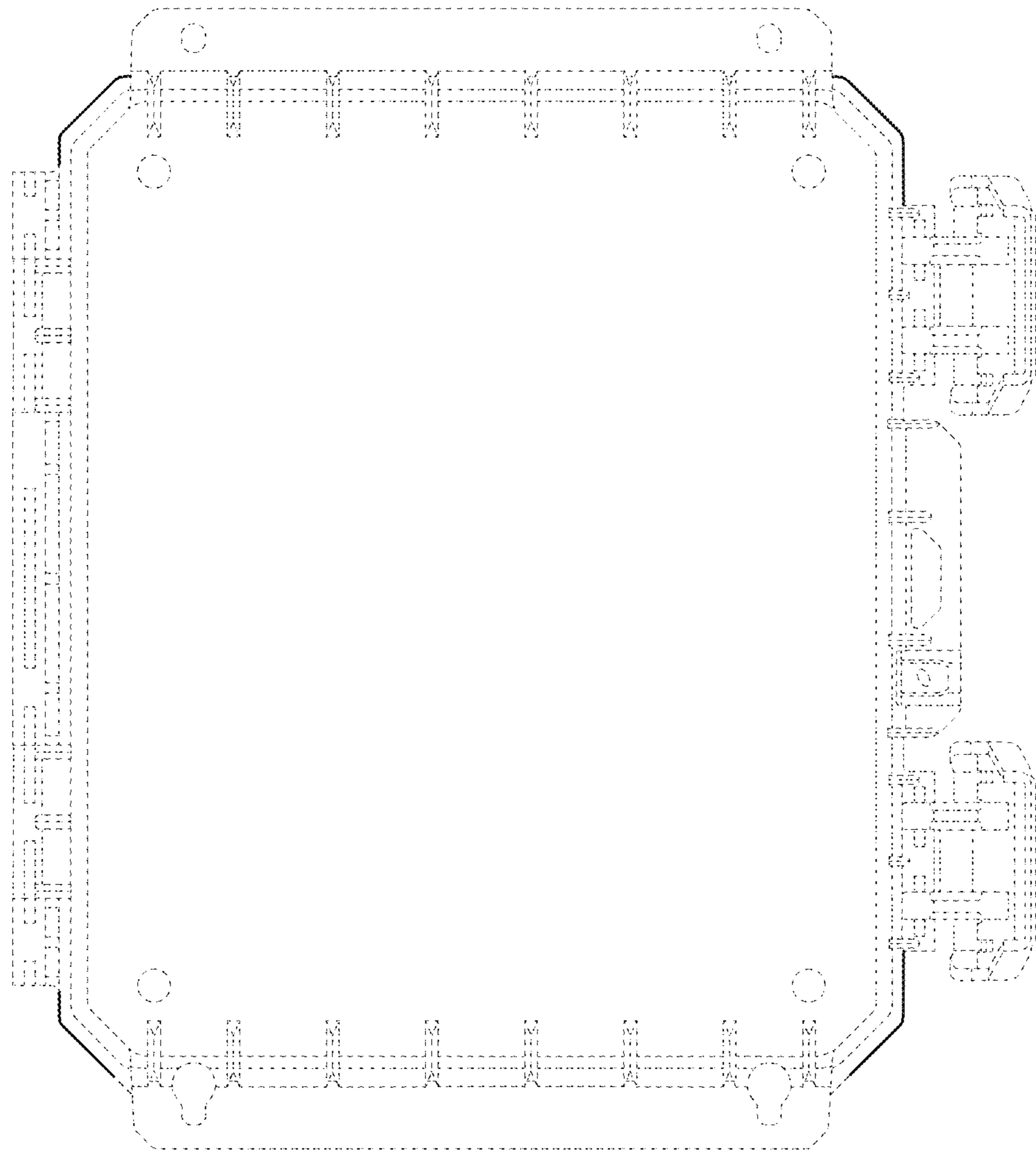


Fig. 3

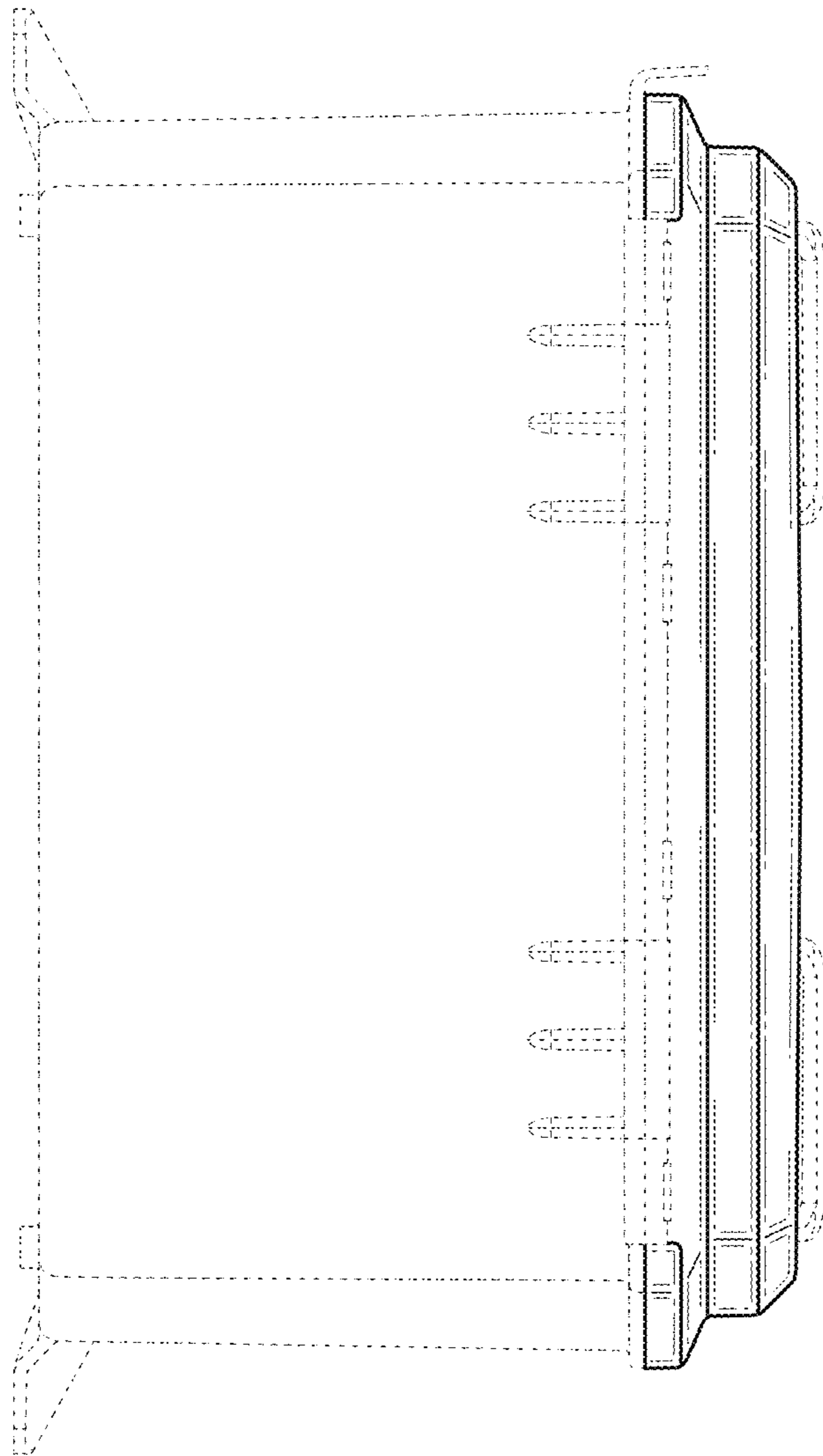


Fig. 4

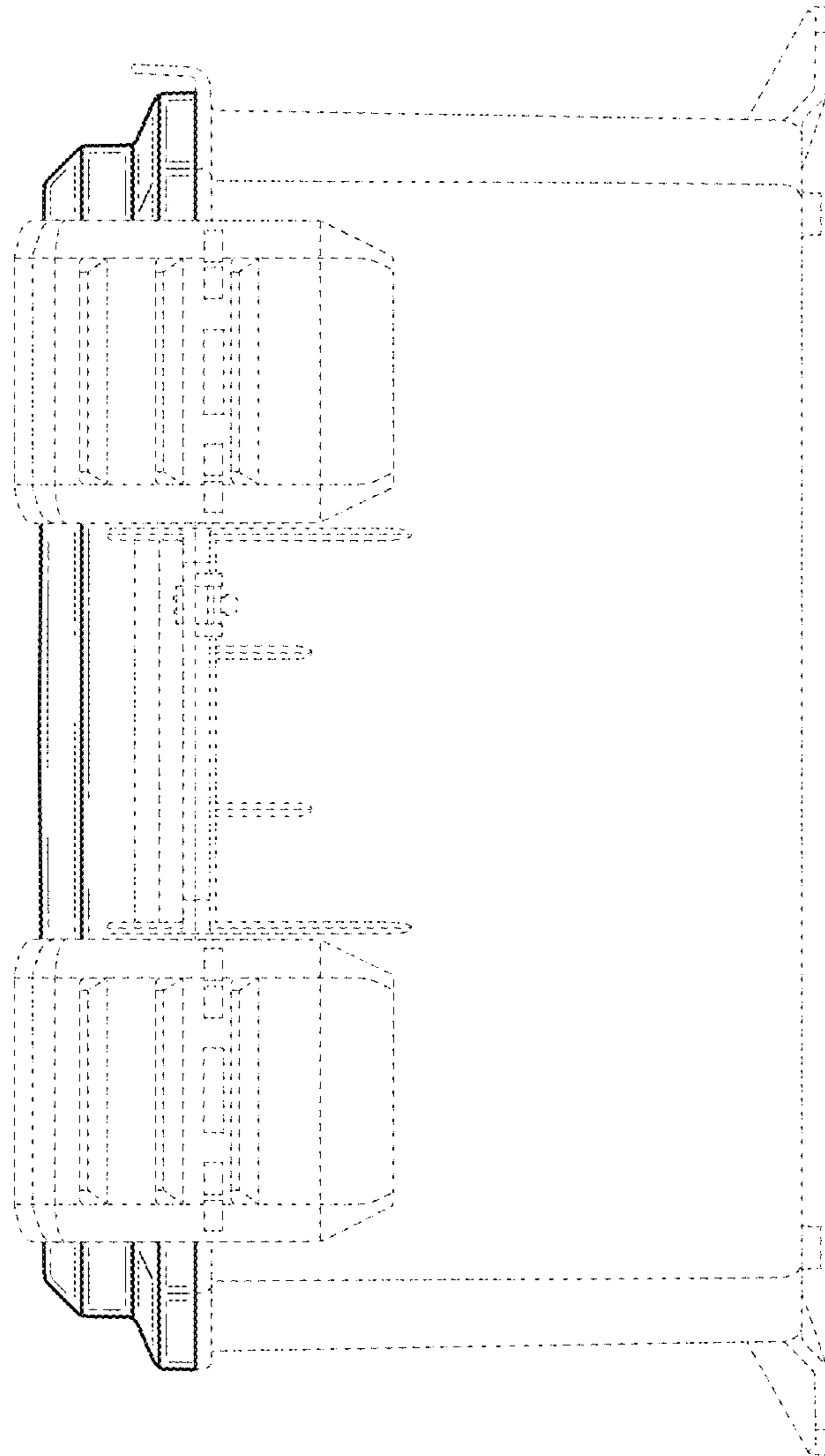


Fig. 5

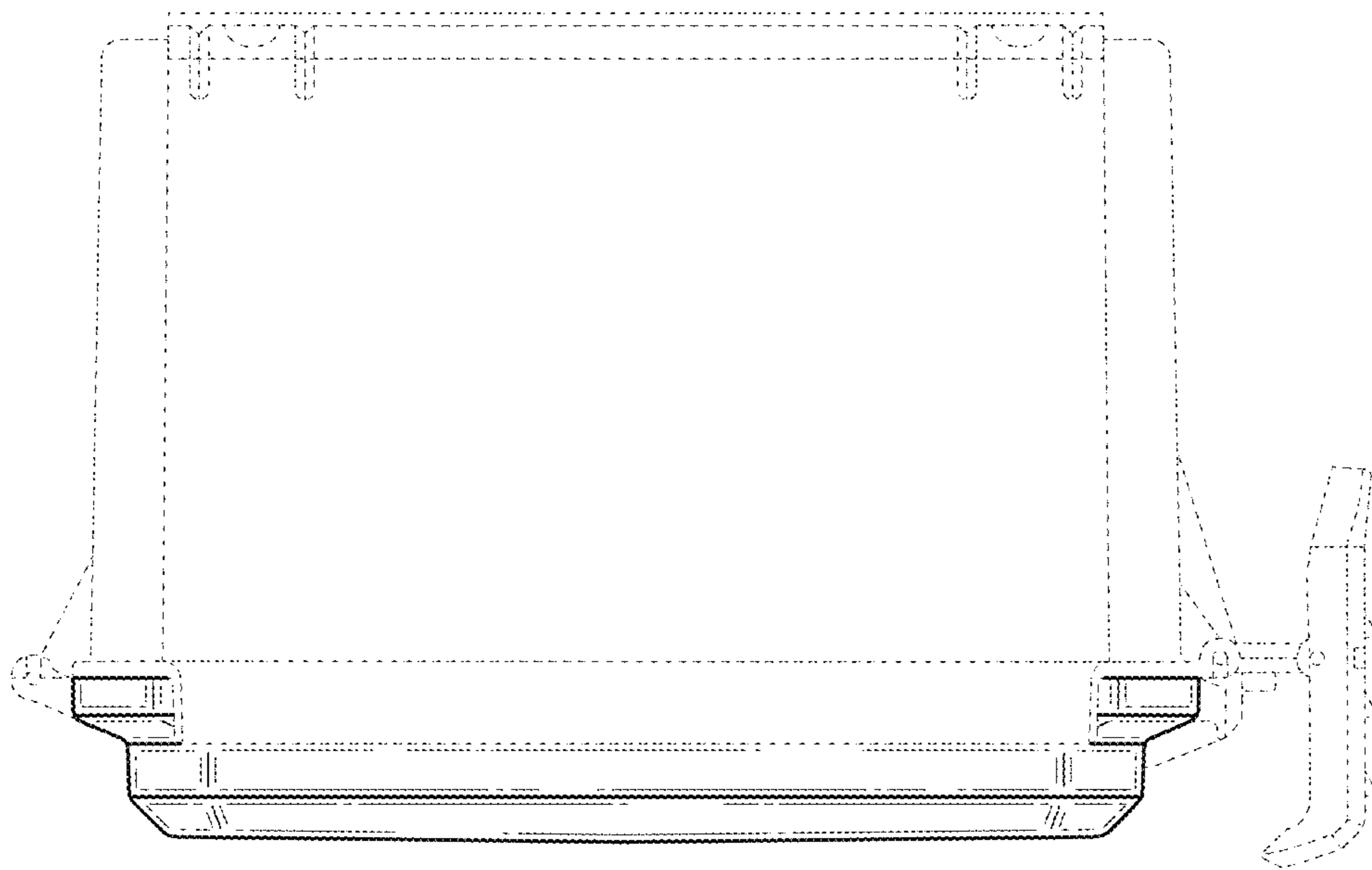


Fig. 6

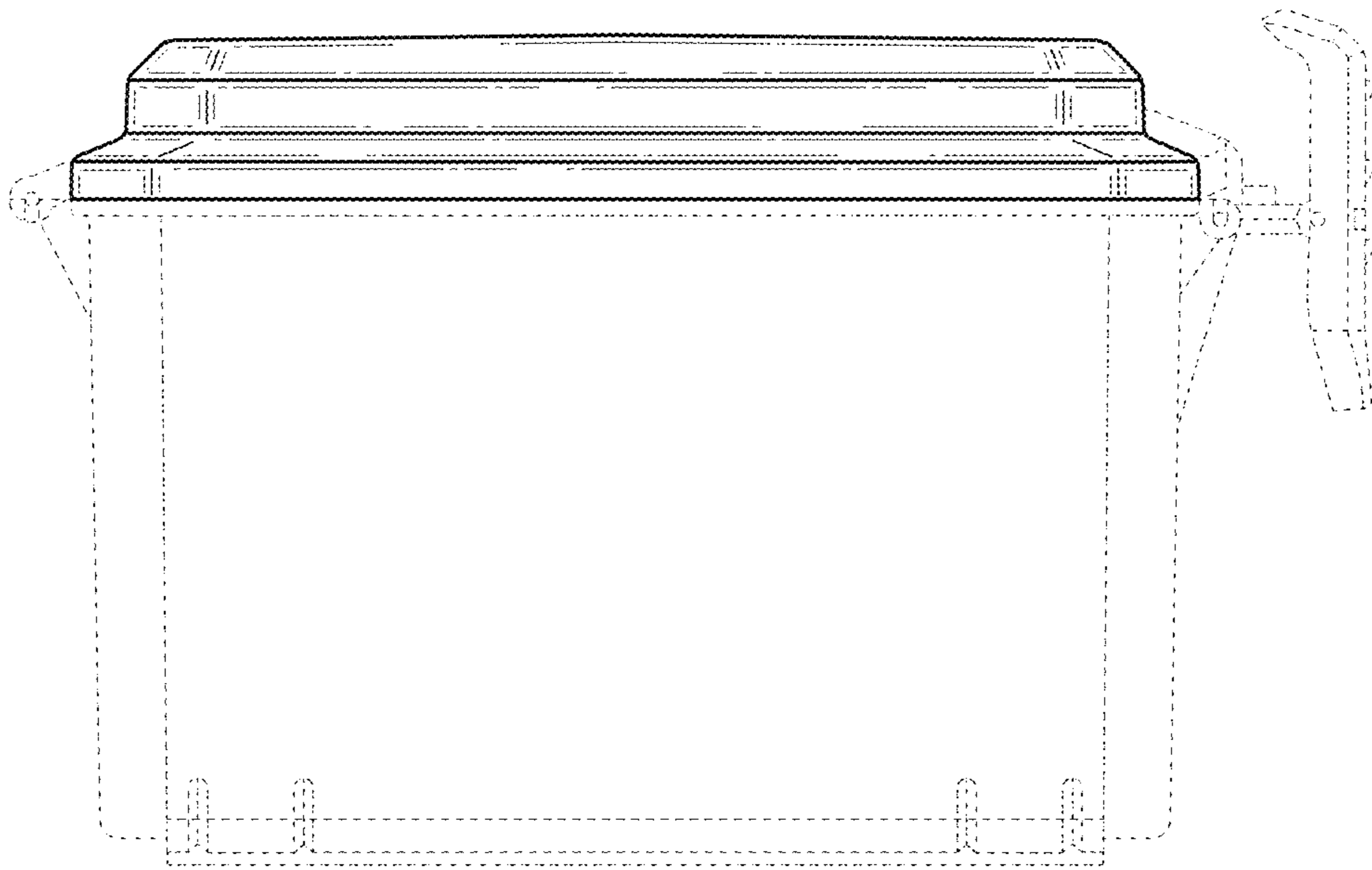


Fig. 7