



US00D807301S

(12) **United States Design Patent**
Ito

(10) **Patent No.:** **US D807,301 S**
(45) **Date of Patent:** **** Jan. 9, 2018**

- (54) **ELECTRIC CONNECTOR**
- (71) Applicant: **Molex, LLC**, Lisle, IL (US)
- (72) Inventor: **Naotoshi Ito**, Yamato (JP)
- (73) Assignee: **Molex, LLC**, Lisle, IL (US)
- (**) Term: **15 Years**
- (21) Appl. No.: **29/560,433**
- (22) Filed: **Apr. 6, 2016**

(30) **Foreign Application Priority Data**

- Nov. 13, 2015 (JP) 2015-025429
- (51) **LOC (11) Cl.** **13-03**
- (52) **U.S. Cl.**
USPC **D13/147**
- (58) **Field of Classification Search**
USPC D13/133, 146, 147, 154, 182, 184, 199
CPC H01R 13/436; H01R 13/447; H01R
13/4538; H01R 13/5202; H01R 13/62;
H01R 13/6272; H01R 13/64; H01R 13/73
See application file for complete search history.

(56) **References Cited**

U.S. PATENT DOCUMENTS

- D319,625 S * 9/1991 Nagasaka D13/146
- D326,084 S * 5/1992 Nagasaka D13/147

- 5,342,221 A * 8/1994 Peterson H01R 13/64
439/677
- 5,595,509 A * 1/1997 Fry H01R 13/4362
439/595
- 2004/0132332 A1* 7/2004 Koehler H01R 13/641
439/489

FOREIGN PATENT DOCUMENTS

- JP 674226 S 3/1986
- JP 892224 S 3/1994
- JP 1260796 S 1/2006

* cited by examiner

Primary Examiner — Daniel Bui

(74) *Attorney, Agent, or Firm* — James A. O'Malley

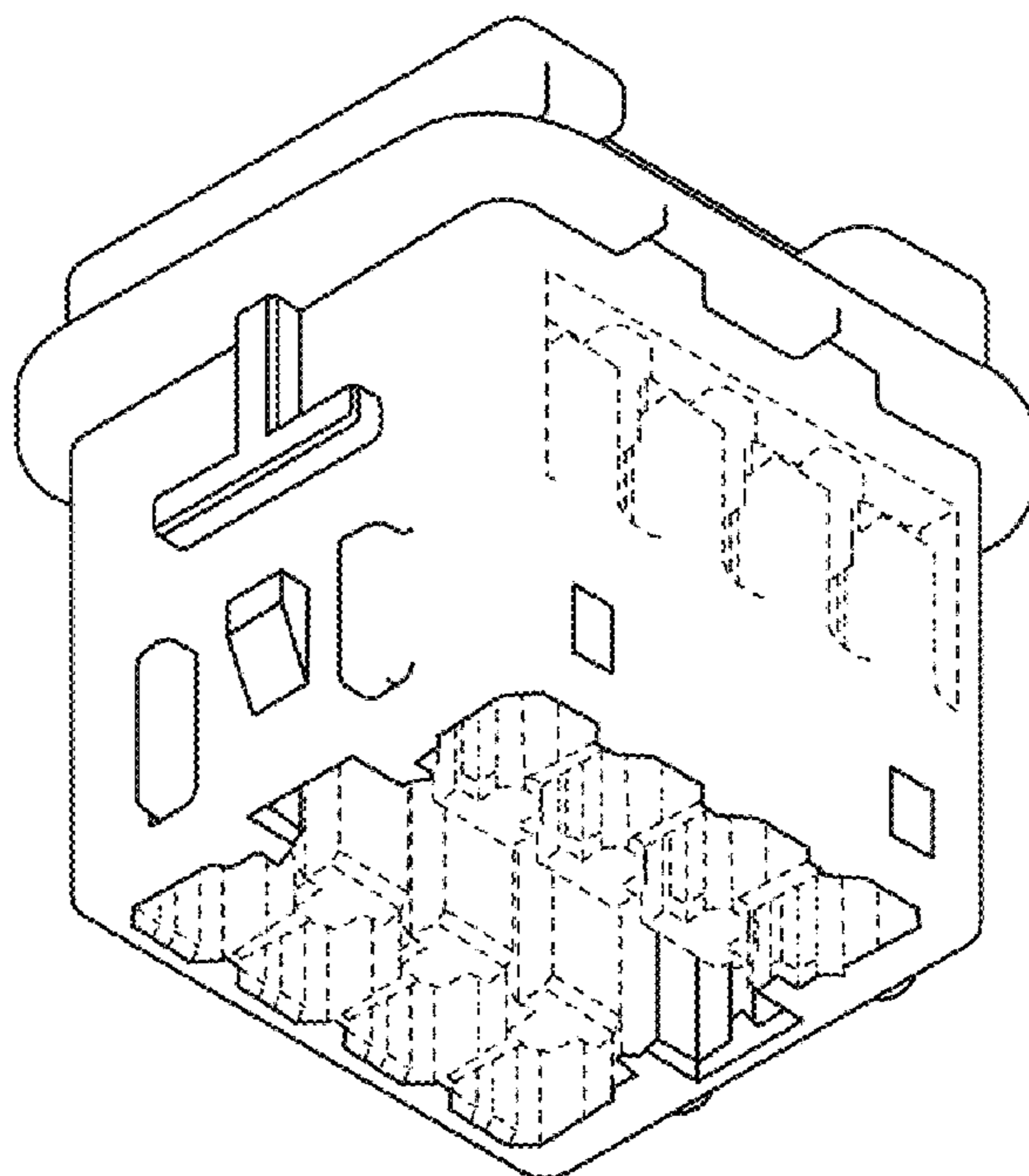
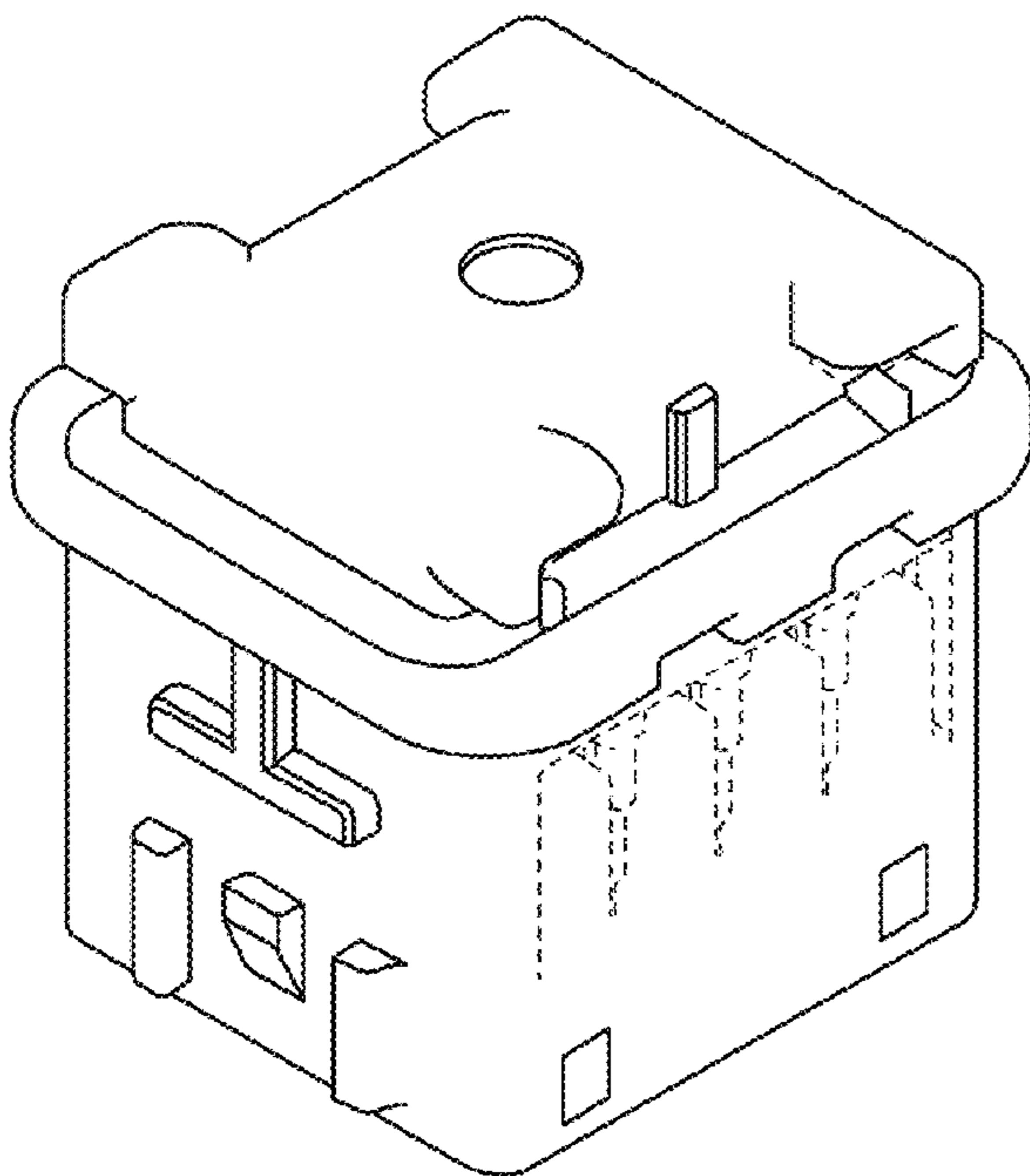
(57) **CLAIM**

The ornamental design for an electric connector, as shown and described.

DESCRIPTION

FIG. 1 is a first perspective view of an electric connector showing my new design;
 FIG. 2 is a second perspective view of the electric connector;
 FIG. 3 is a front view of the electric connector;
 FIG. 4 is a top view of the electric connector;
 FIG. 5 is a bottom view of the electric connector; and,
 FIG. 6 is a side view of the electric connector.
 The broken line portion of the figure drawings is included to show portions of the article that form no part of the claimed design.

1 Claim, 3 Drawing Sheets



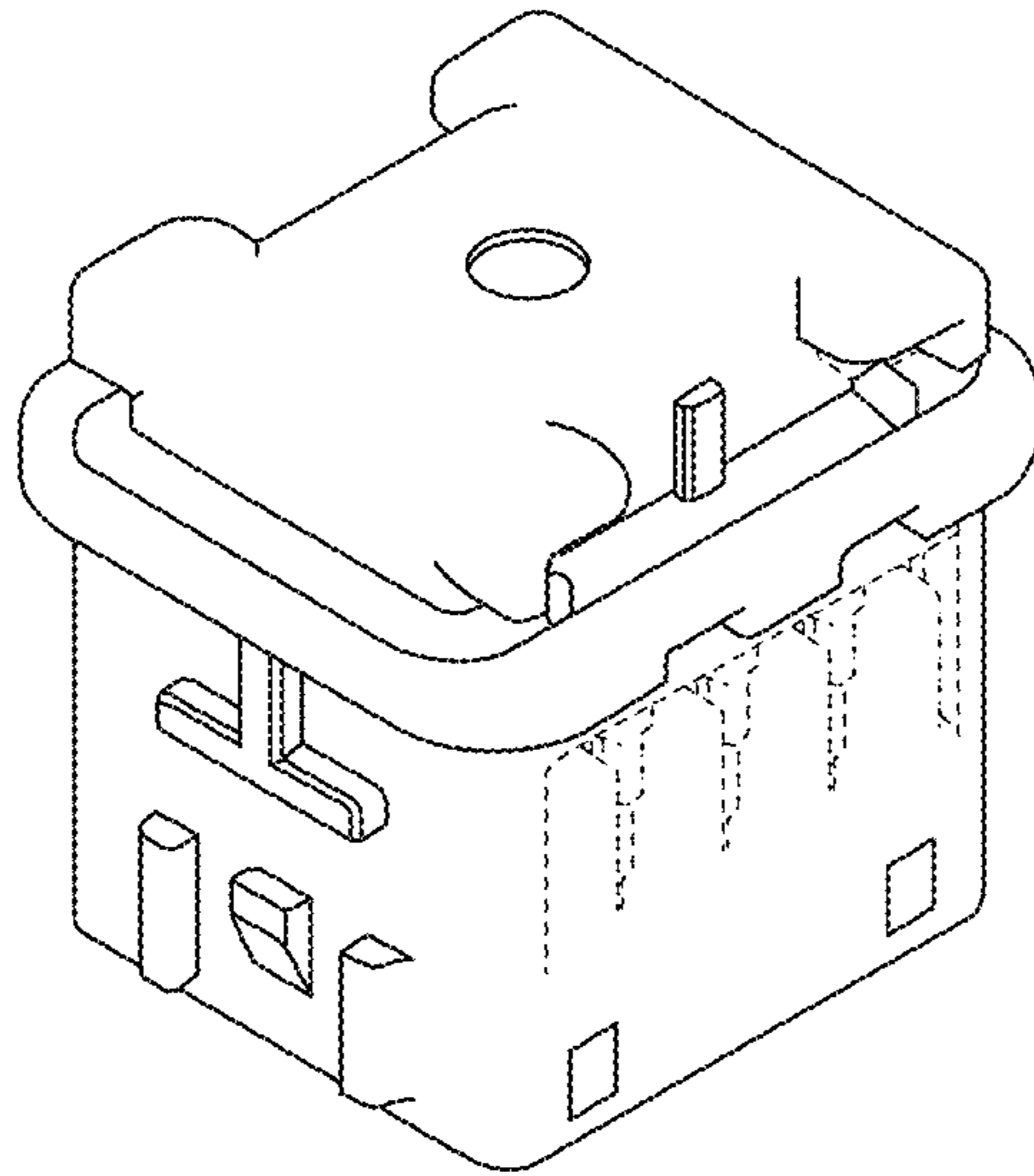


FIG. 1

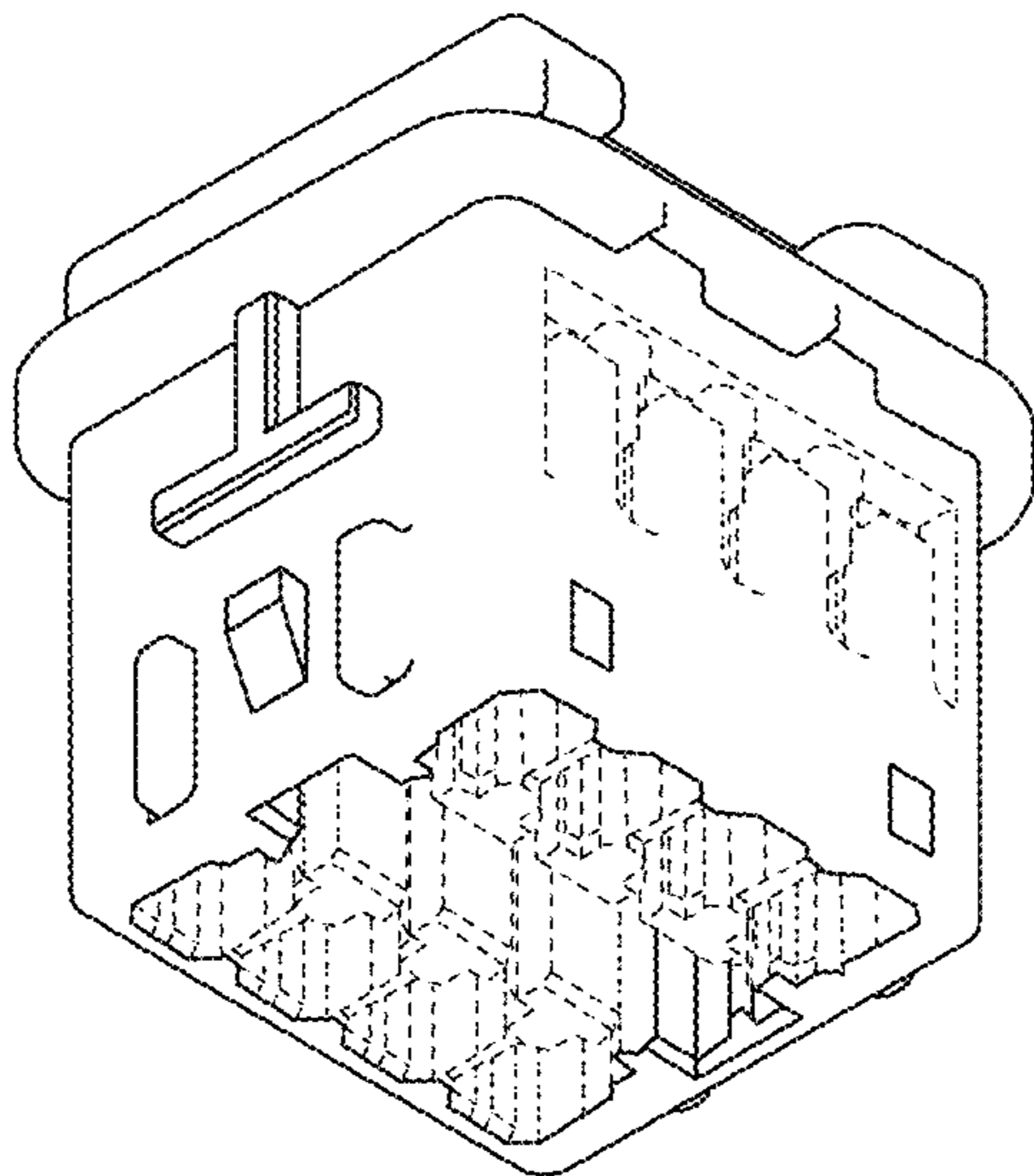


FIG. 2

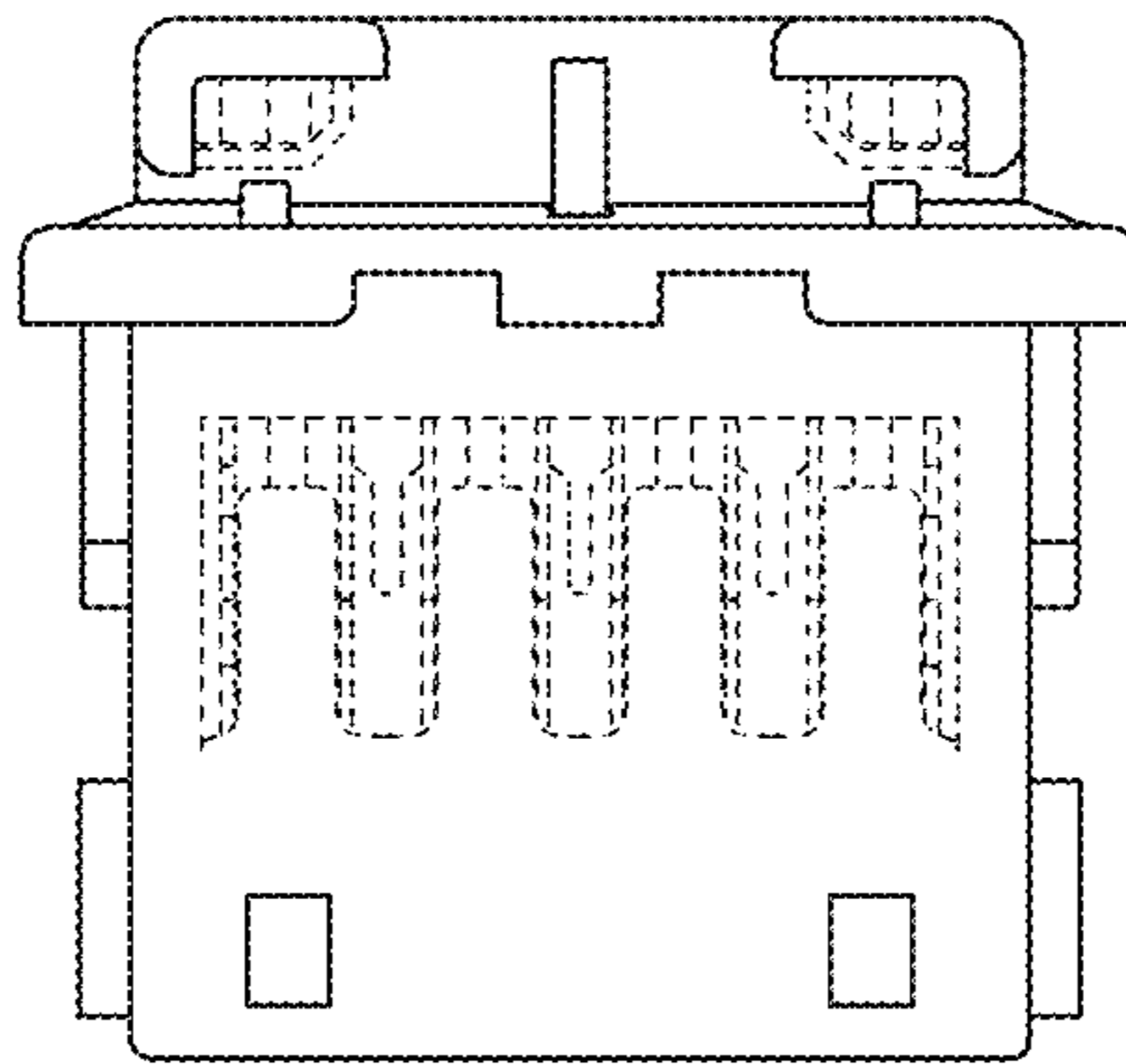


FIG. 3

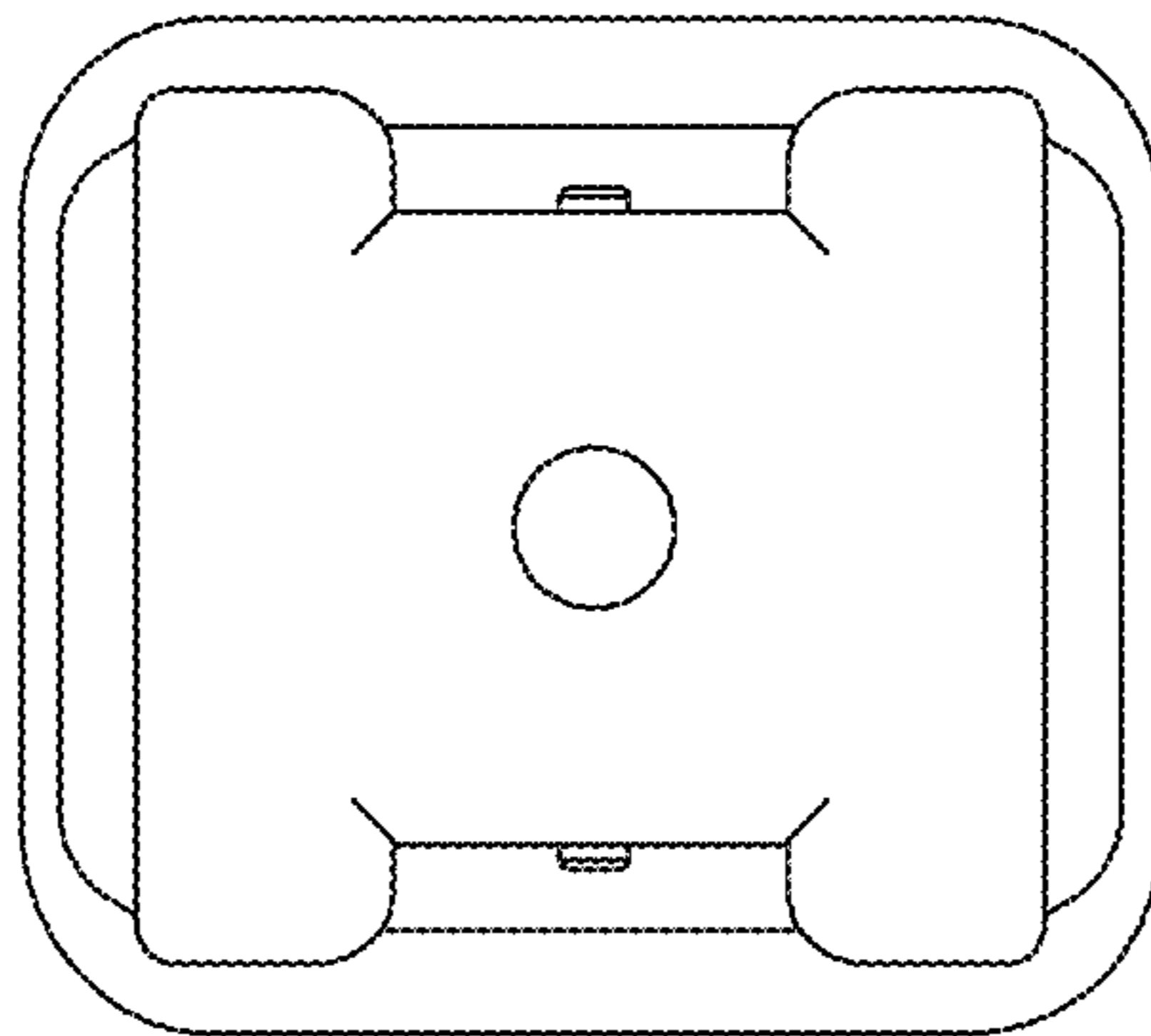


FIG. 4

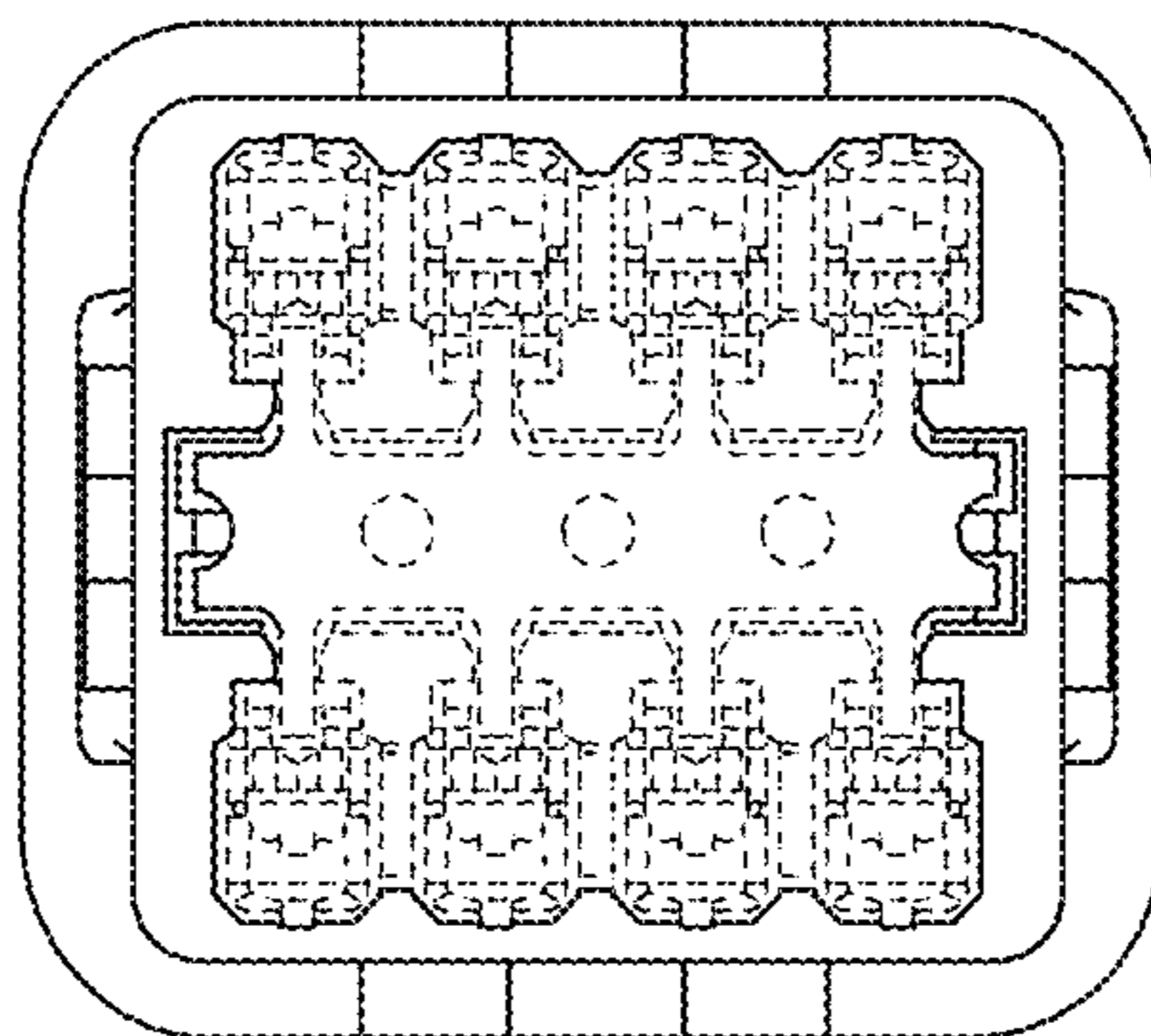


FIG. 5

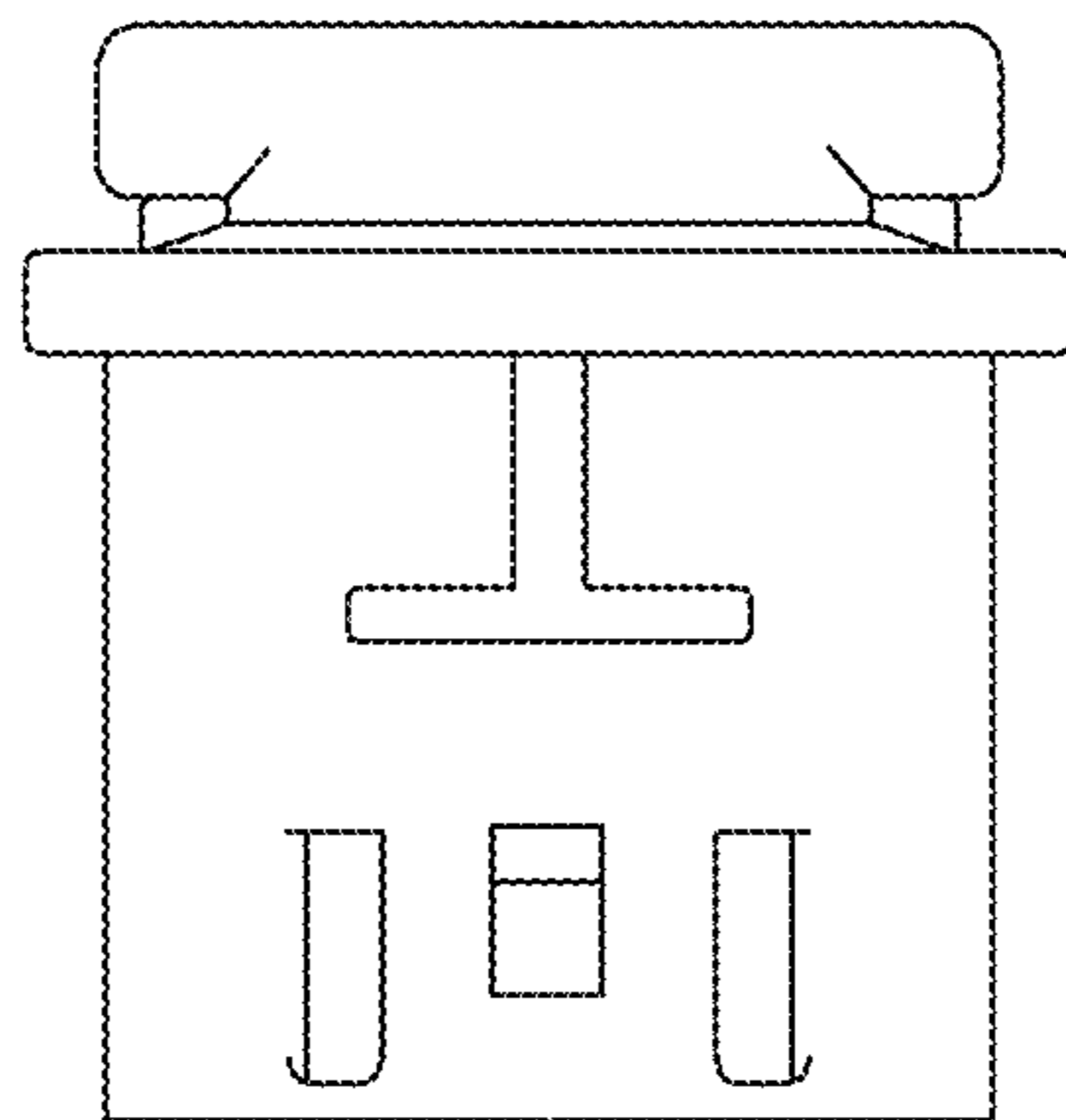


FIG. 6