



US00D807299S

(12) **United States Design Patent**
Ugla et al.

(10) **Patent No.:** **US D807,299 S**
(45) **Date of Patent:** **** Jan. 9, 2018**

(54) **CAR CHARGER**

(71) Applicant: **Zound Industries International AB,**
Stockholm (SE)

(72) Inventors: **Carl Ugla,** Stockholm (SE); **Susanne Bryngelsson,** Stockholm (SE)

(73) Assignee: **Zound Industries International AB,**
Stockholm (SE)

(**) Term: **15 Years**

(21) Appl. No.: **29/556,709**

(22) Filed: **Mar. 2, 2016**

(51) **LOC (11) Cl.** **13-03**

(52) **U.S. Cl.**
USPC **D13/144**

(58) **Field of Classification Search**
USPC D13/144, 107, 110, 118, 119, 120, 133,
D13/154, 184, 199; D14/155, 217, 433;
320/65, 107, 108, 109; 363/13, 146;
439/300, 620, 638, 668, 669, 675, 825
CPC H01R 24/58; H01R 2201/26
See application file for complete search history.

(56) **References Cited**

U.S. PATENT DOCUMENTS

D621,783 S * 8/2010 Riede D13/144
D624,501 S * 9/2010 Chan D13/144

D624,879 S * 10/2010 Chan D13/144
D626,507 S * 11/2010 Riede D13/144
D654,872 S * 2/2012 Au D13/144
D654,873 S * 2/2012 Au D13/144
D655,246 S * 3/2012 Fitch D13/144
D691,955 S * 10/2013 Lee D13/144
D719,916 S * 12/2014 Cheng D13/144
D722,294 S * 2/2015 Lee D13/144
D764,413 S * 8/2016 McHatet D13/144
D778,834 S * 2/2017 Holweger D13/110

* cited by examiner

Primary Examiner — Derrick Holland

Assistant Examiner — Jennifer O King

(74) *Attorney, Agent, or Firm* — Alonzo & Associates;
Arlyn Alonzo

(57) **CLAIM**

The ornamental design for a car charger, as shown and described.

DESCRIPTION

FIG. 1 is a perspective view of a car charger.

FIG. 2 is a back view thereof.

FIG. 3 is a front view thereof.

FIG. 4 is a left side view thereof.

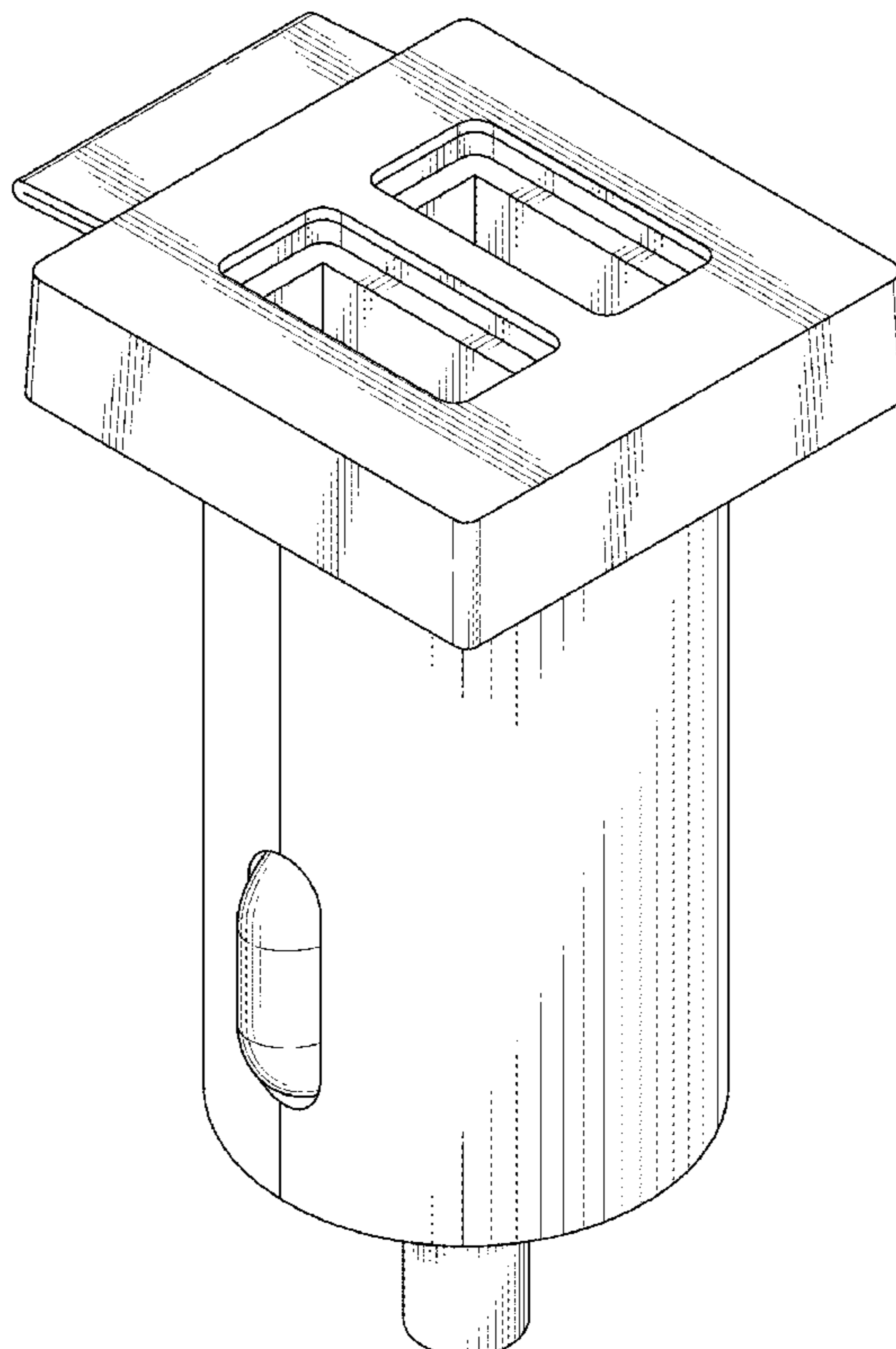
FIG. 5 is a right side view thereof.

FIG. 6 is a top view thereof; and,

FIG. 7 is a bottom view thereof.

The car charger may be used as a charging unit for an electrical device.

1 Claim, 7 Drawing Sheets



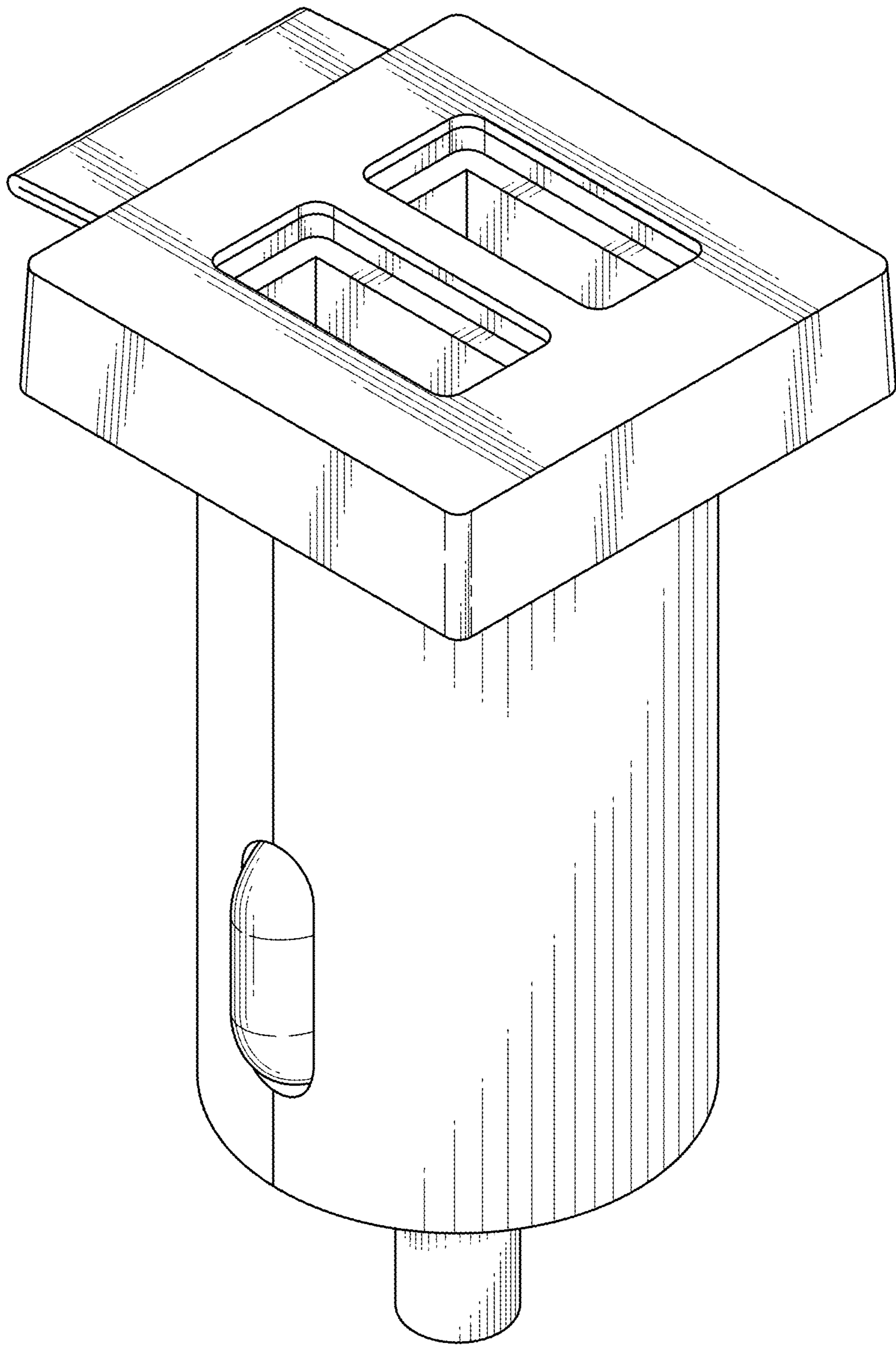


FIG. 1

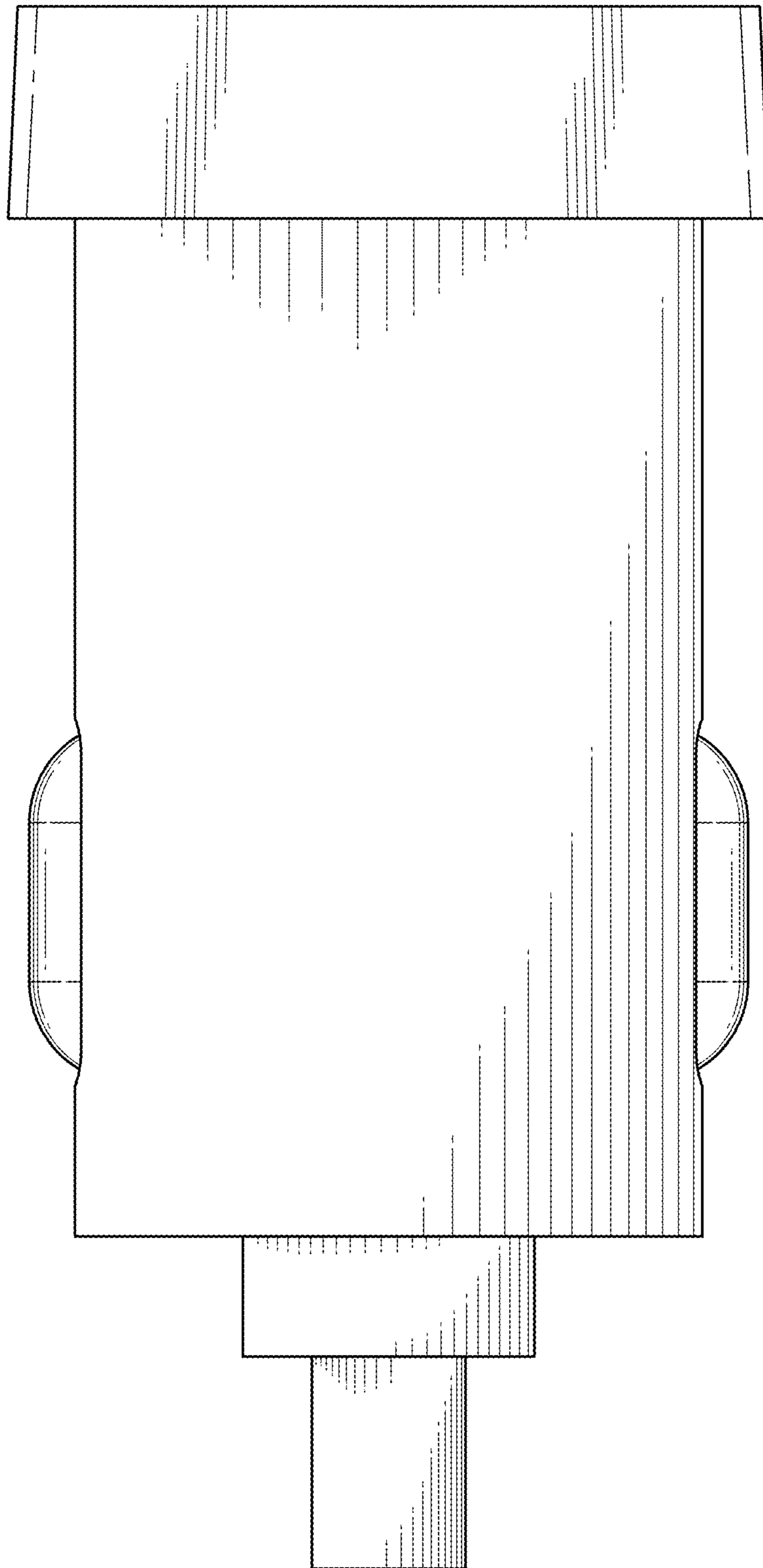


FIG. 2

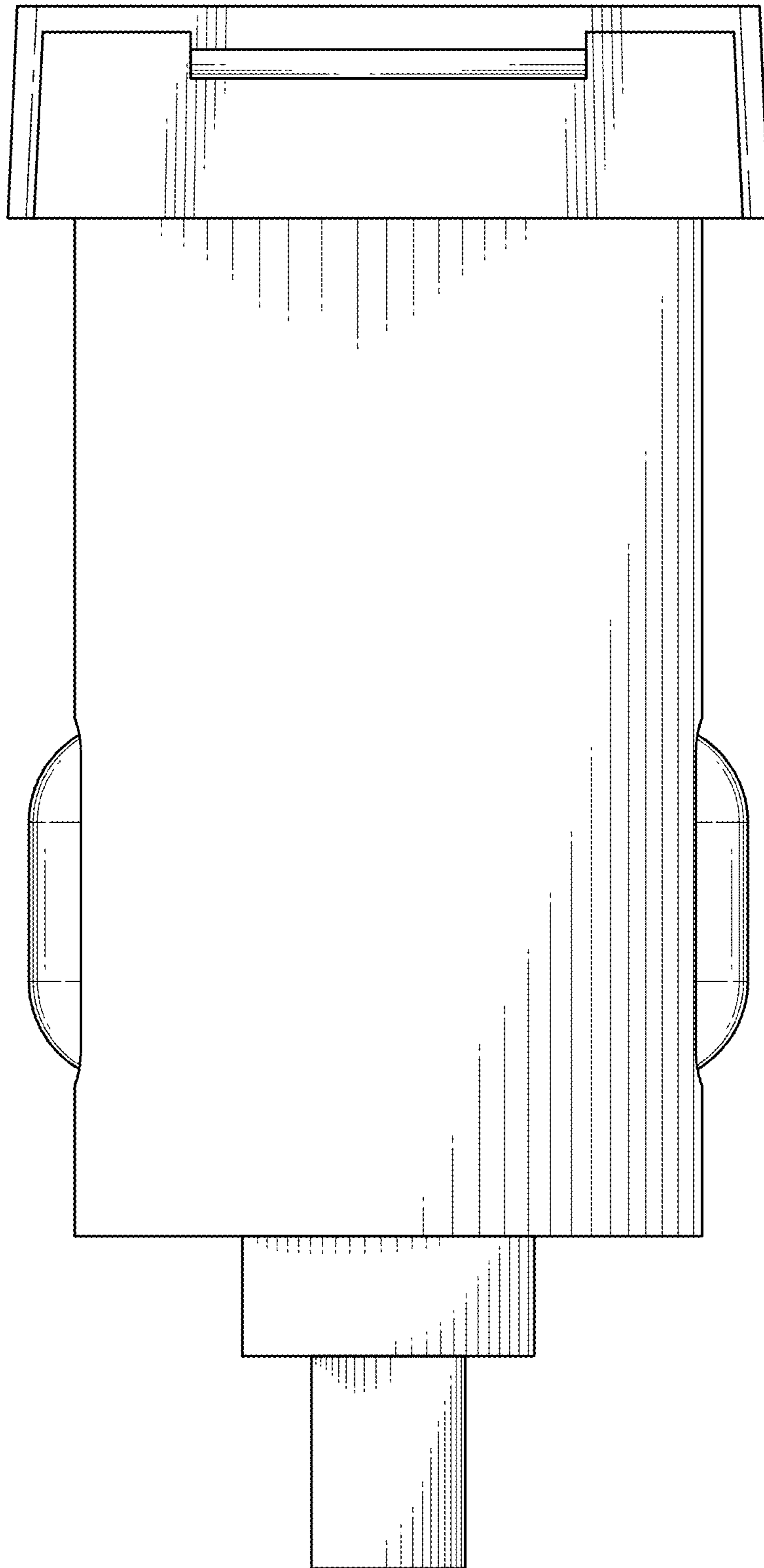


FIG. 3

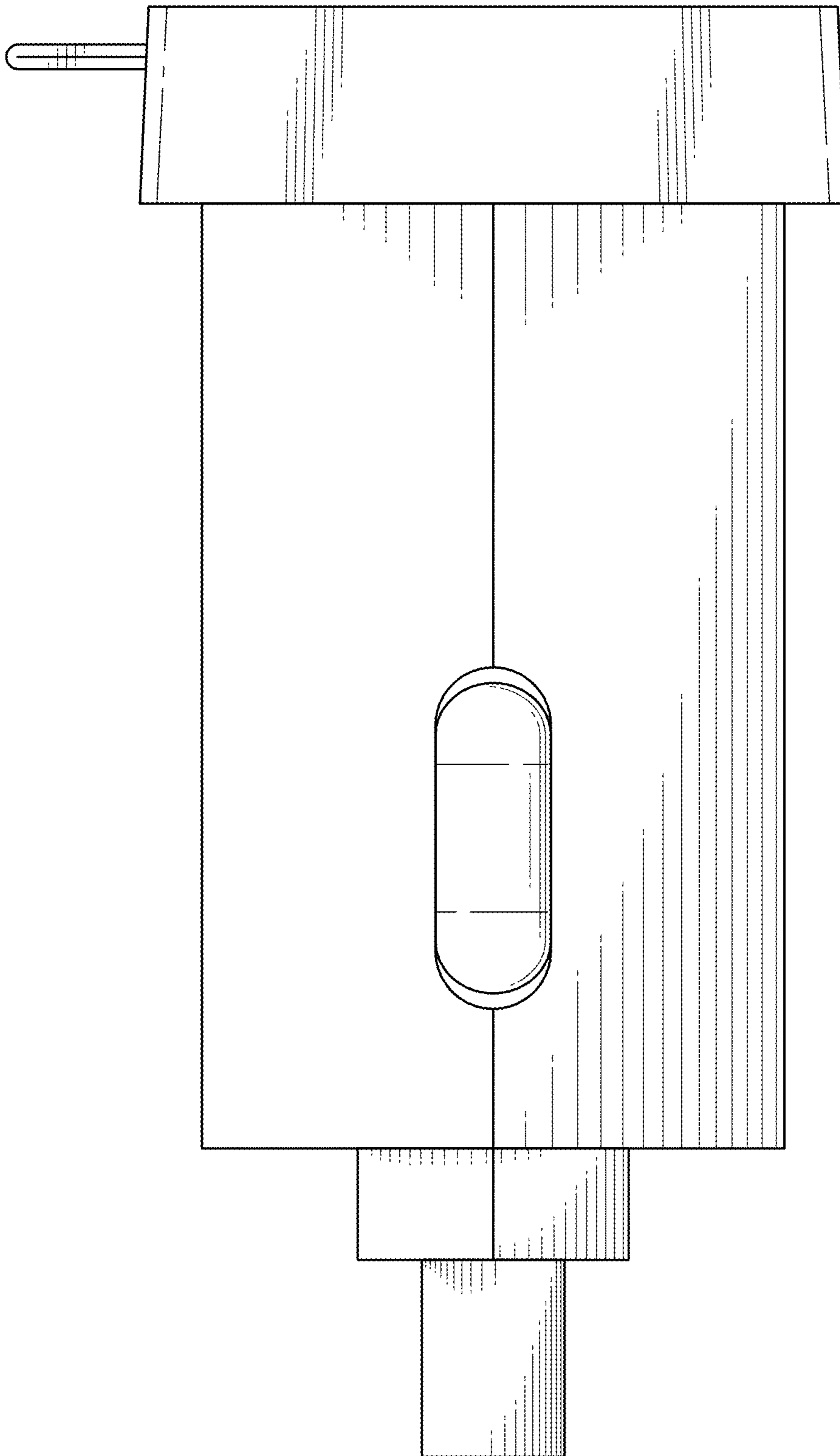


FIG. 4

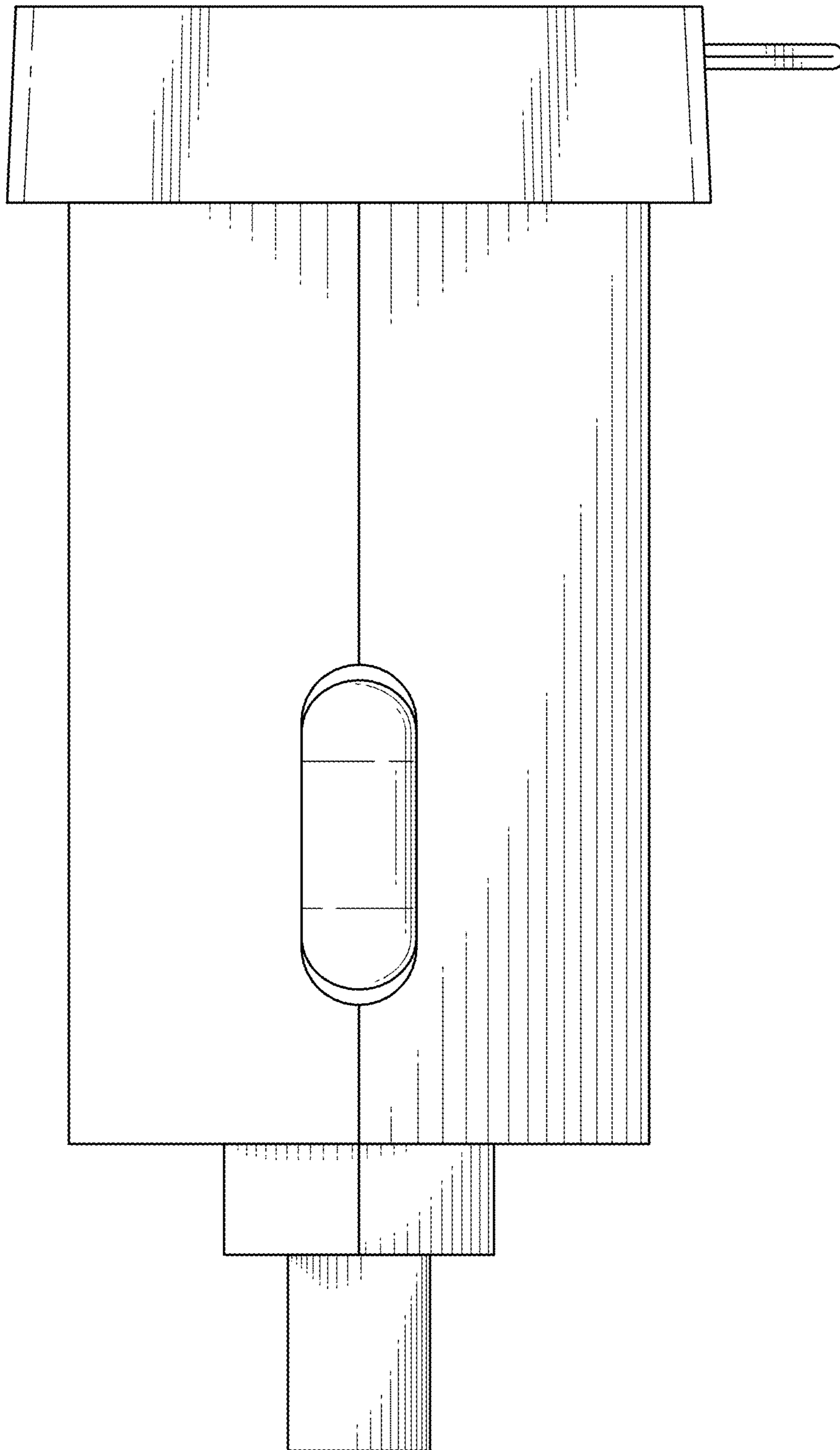


FIG. 5

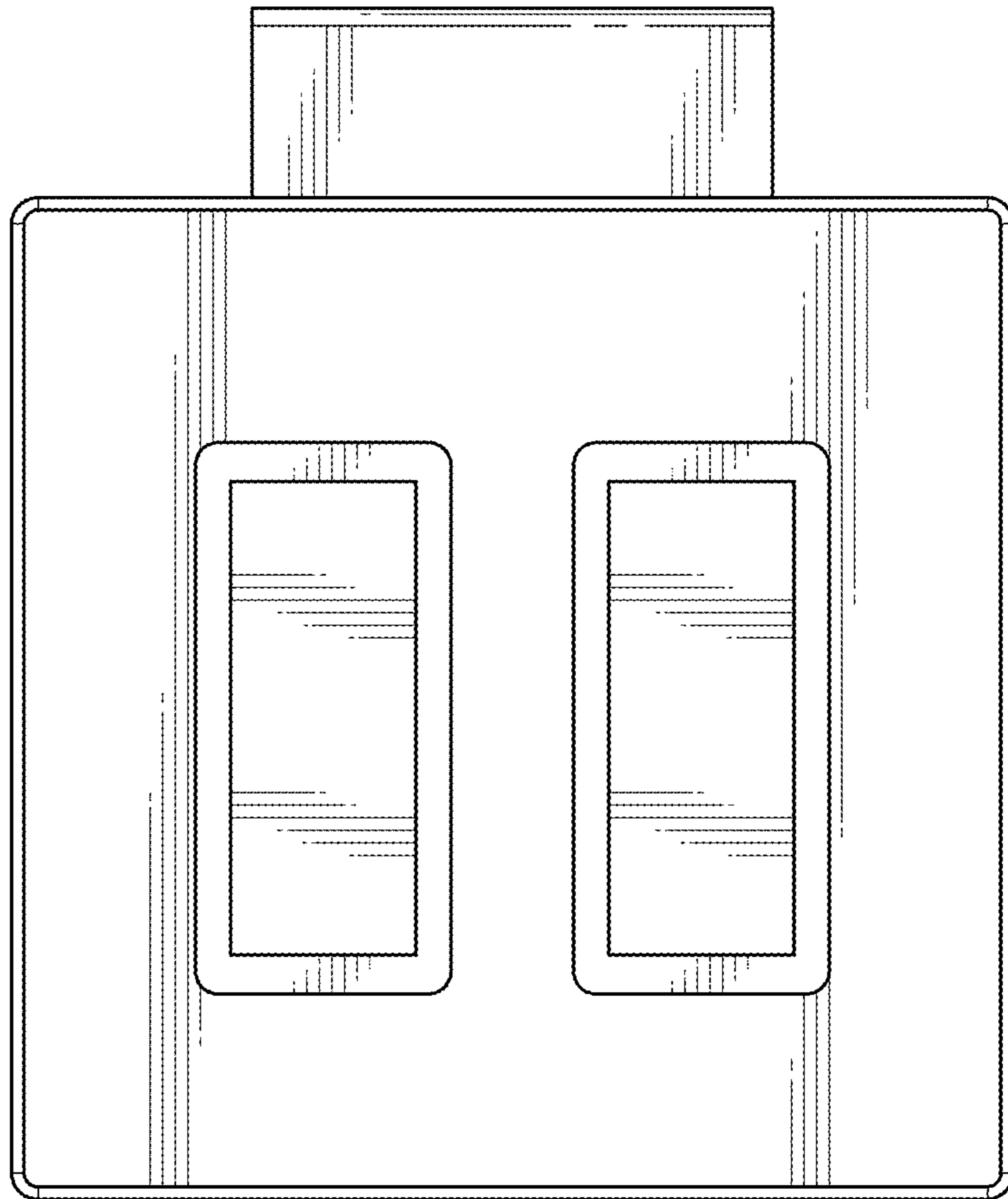


FIG. 6

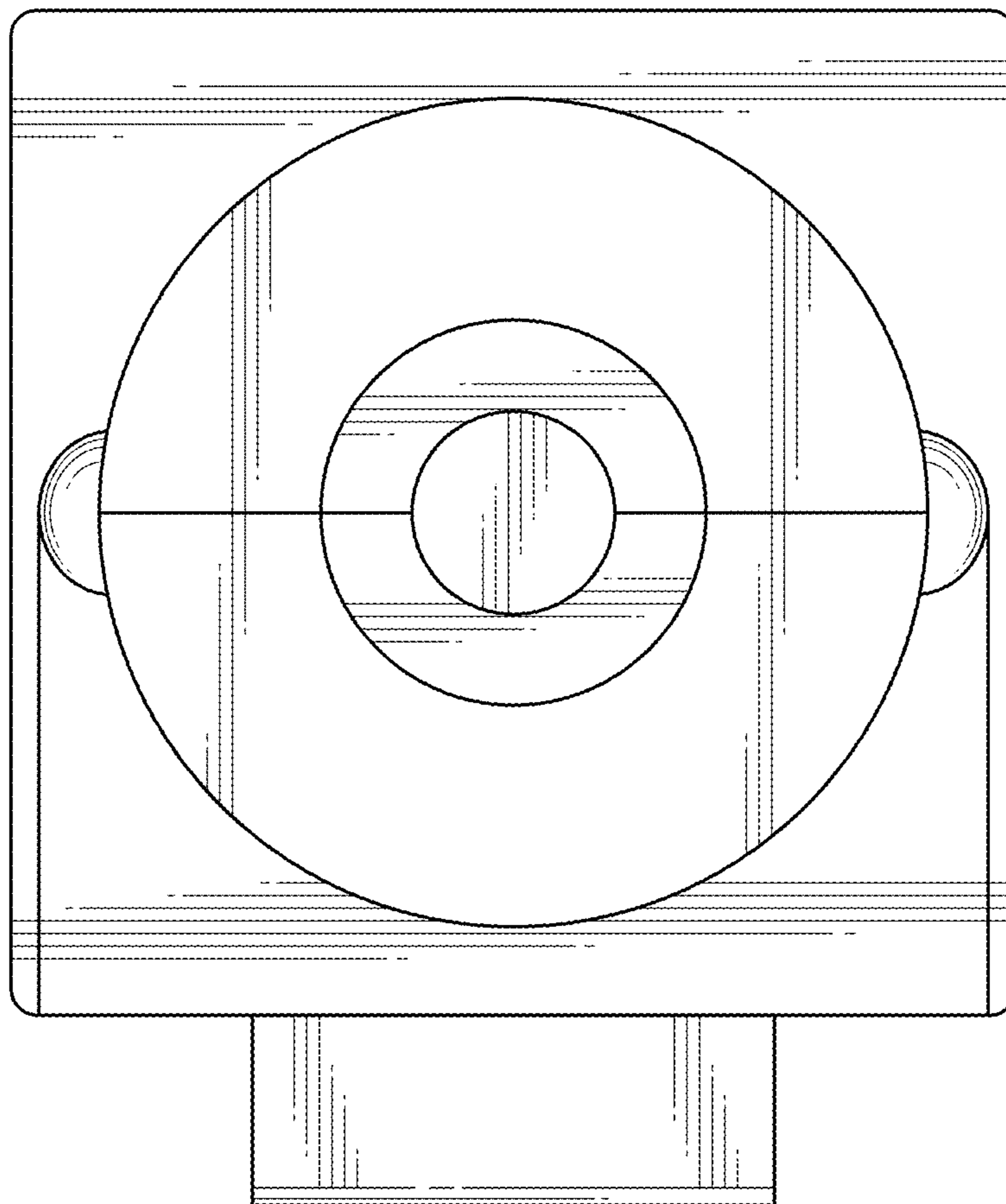


FIG. 7