

US00D807298S

(12) **United States Design Patent**
Xu

(10) **Patent No.:** **US D807,298 S**
(45) **Date of Patent:** **** Jan. 9, 2018**

- (54) **ELECTRICAL RECEPTACLE**
- (71) Applicant: **Guangdong BESTEK E-commerce Co., Ltd.**, Shenzhen (CN)
- (72) Inventor: **Xinhua Xu**, Shenzhen (CN)
- (73) Assignee: **Guangdong BESTEK E-commerce Co., Ltd.**, Shenzhen (CN)
- (**) Term: **15 Years**
- (21) Appl. No.: **29/586,392**
- (22) Filed: **Dec. 2, 2016**
- (51) **LOC (11) Cl.** **13-03**
- (52) **U.S. Cl.**
USPC **D13/139.8**
- (58) **Field of Classification Search**
USPC D13/108-110, 133, 137.1-137.4,
D13/138.1-138.2, 139.1-139.8, 152-154,
D13/156, 173, 177, 151, 146, 147, 107;
D14/433, 435.1, 432; D8/350-353, 331
CPC H01R 25/00; H01R 25/006; H01R 25/003;
H01R 9/00; H01R 11/00; H02J
2007/0062
See application file for complete search history.

- D718,714 S * 12/2014 Si D13/110
- D718,715 S * 12/2014 Si D13/110
- D736,709 S * 8/2015 Byrne D13/137.1
- D777,674 S * 1/2017 Mininger D13/139.7
- D793,398 S * 8/2017 Feldstein D14/433
- 2014/0326726 A1* 11/2014 Byrne H02G 3/081
220/241

* cited by examiner

Primary Examiner — Rosemary K Tarcza
Assistant Examiner — Christy Nemeth

(57) **CLAIM**

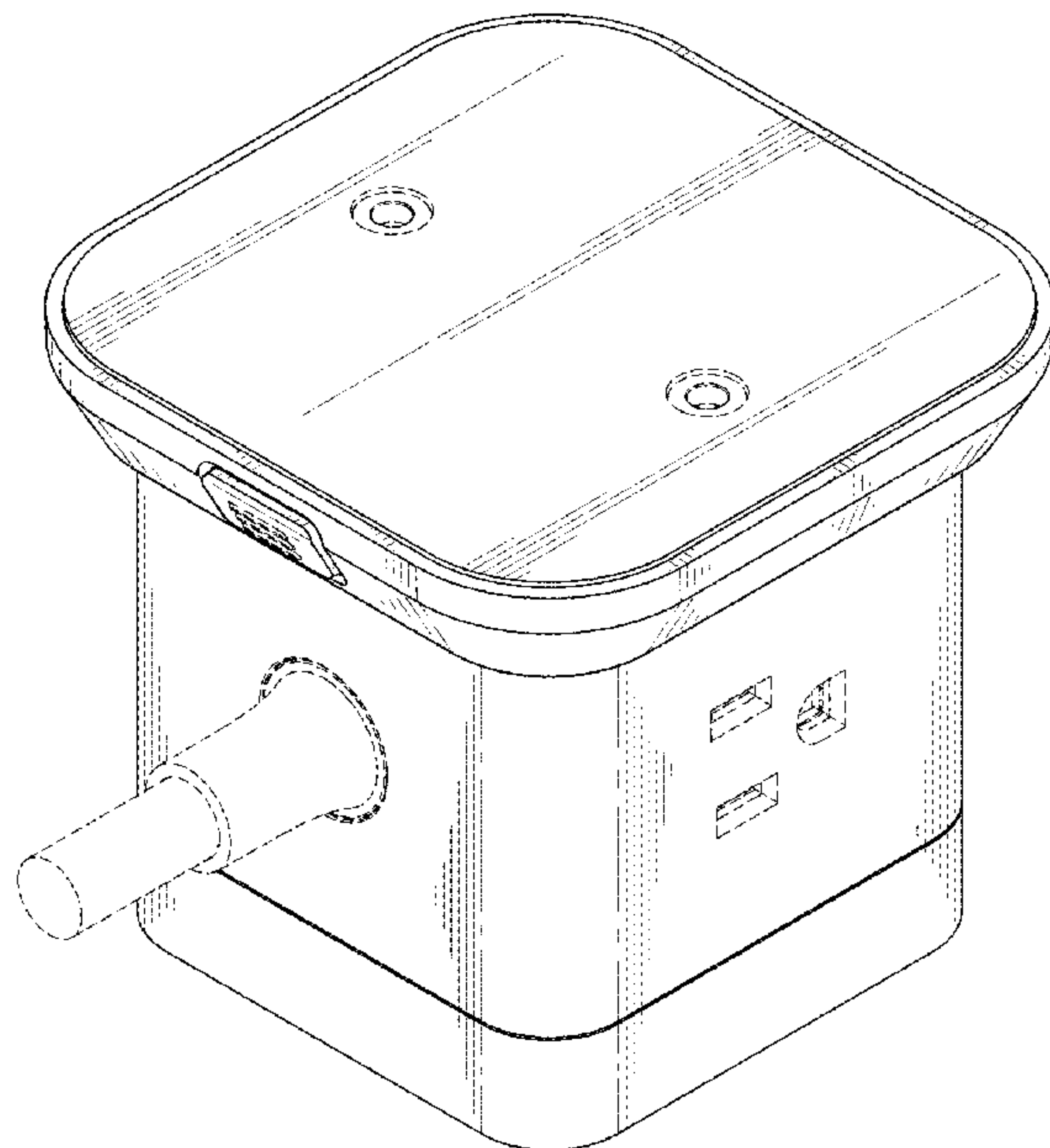
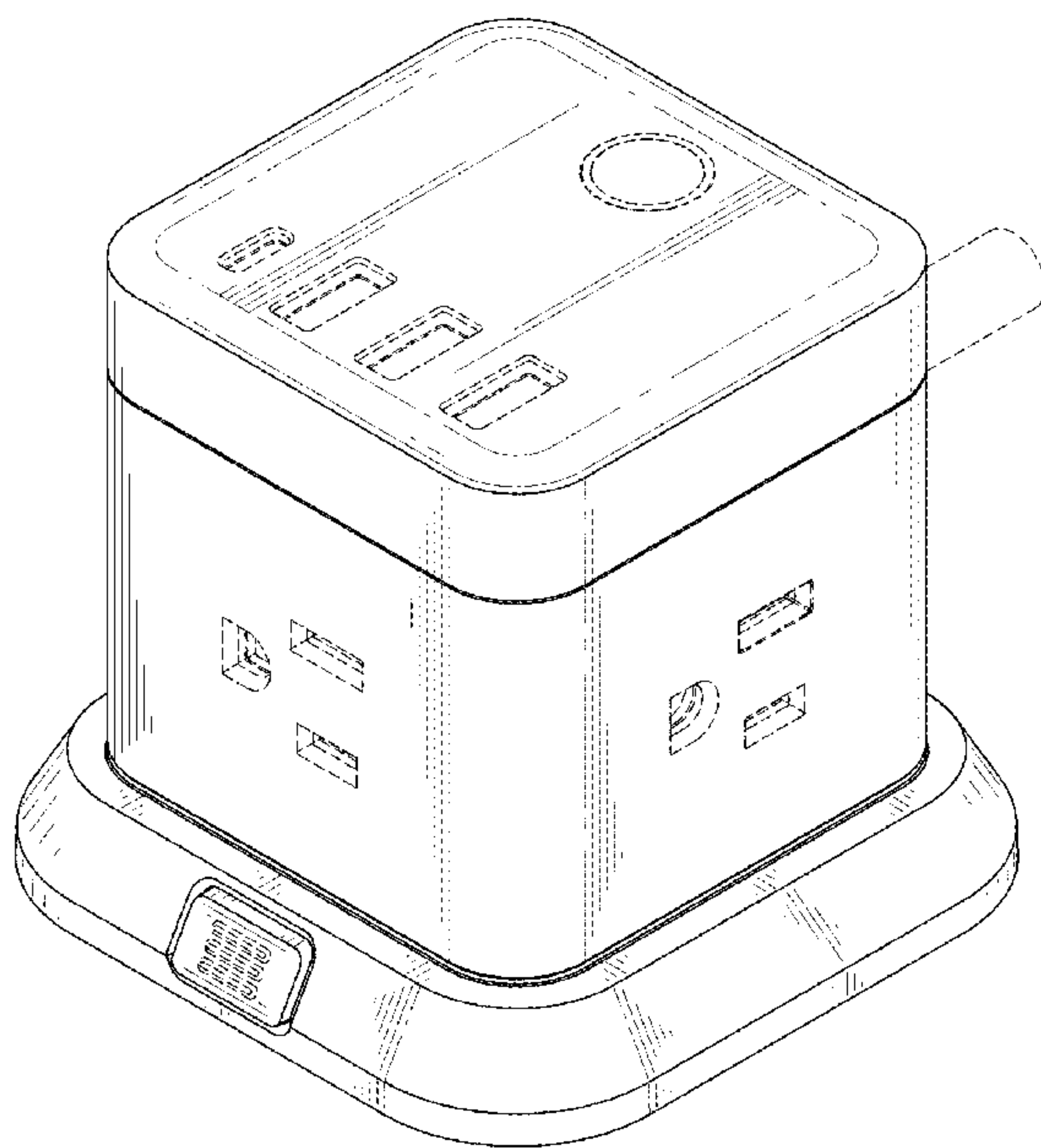
The ornamental design for a electrical receptacle, as shown and described.

DESCRIPTION

FIG. 1 is a top perspective view of an electrical receptacle showing my new design;
 FIG. 2 is a bottom perspective view thereof;
 FIG. 3 is a front elevational view thereof;
 FIG. 4 is a rear elevational view thereof;
 FIG. 5 is a left side elevational view thereof;
 FIG. 6 is a right side elevational view thereof;
 FIG. 7 is a top plan view thereof; and,
 FIG. 8 is a bottom plan view thereof.
 The broken lines in the drawings are for the purpose of illustrating portions of the electrical receptacle that form no part of the claimed design.

1 Claim, 8 Drawing Sheets

- (56) **References Cited**
U.S. PATENT DOCUMENTS
D467,873 S * 12/2002 Yu D13/137.2
D540,257 S * 4/2007 Ivanova D13/137.2



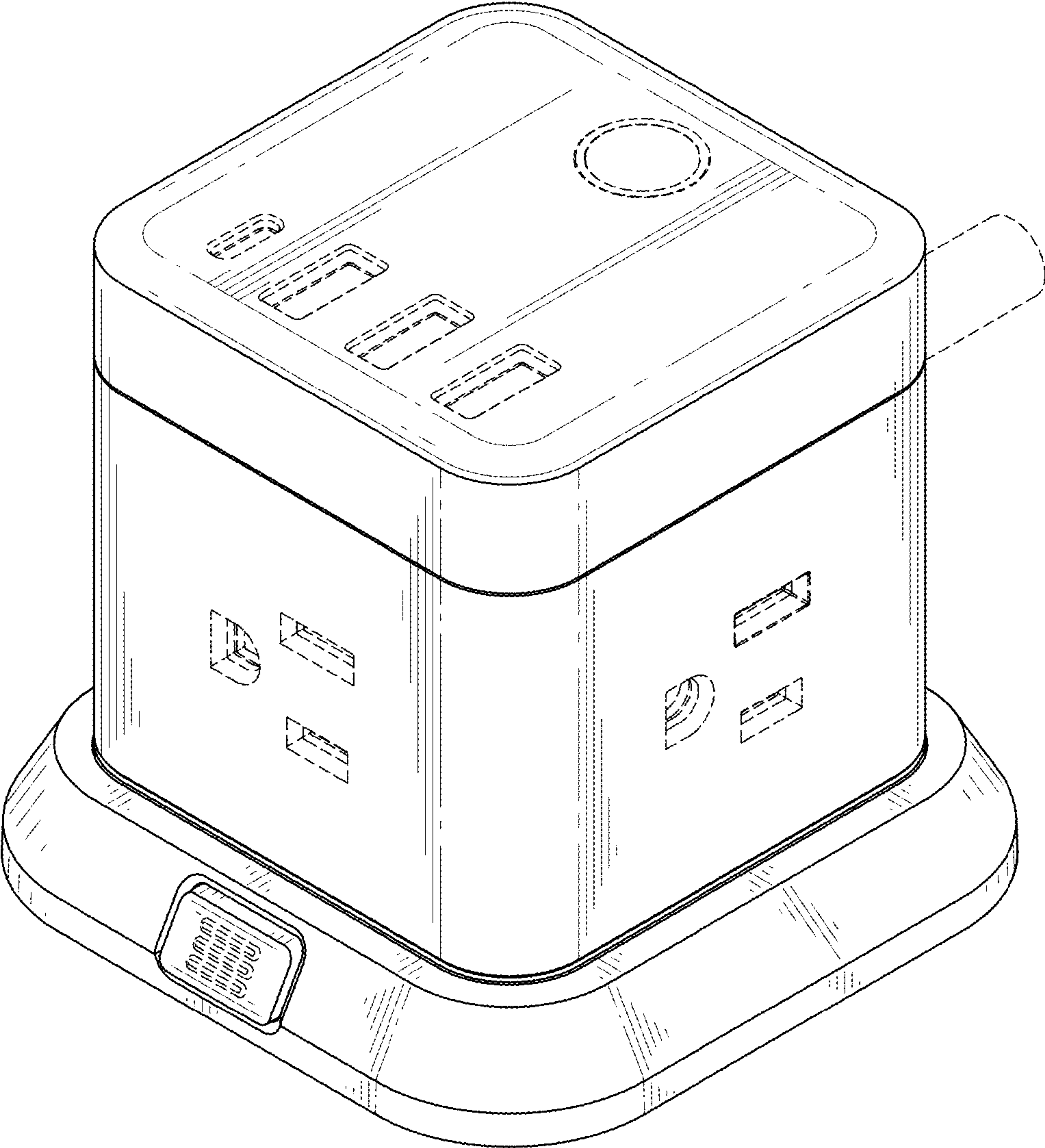


FIG. 1

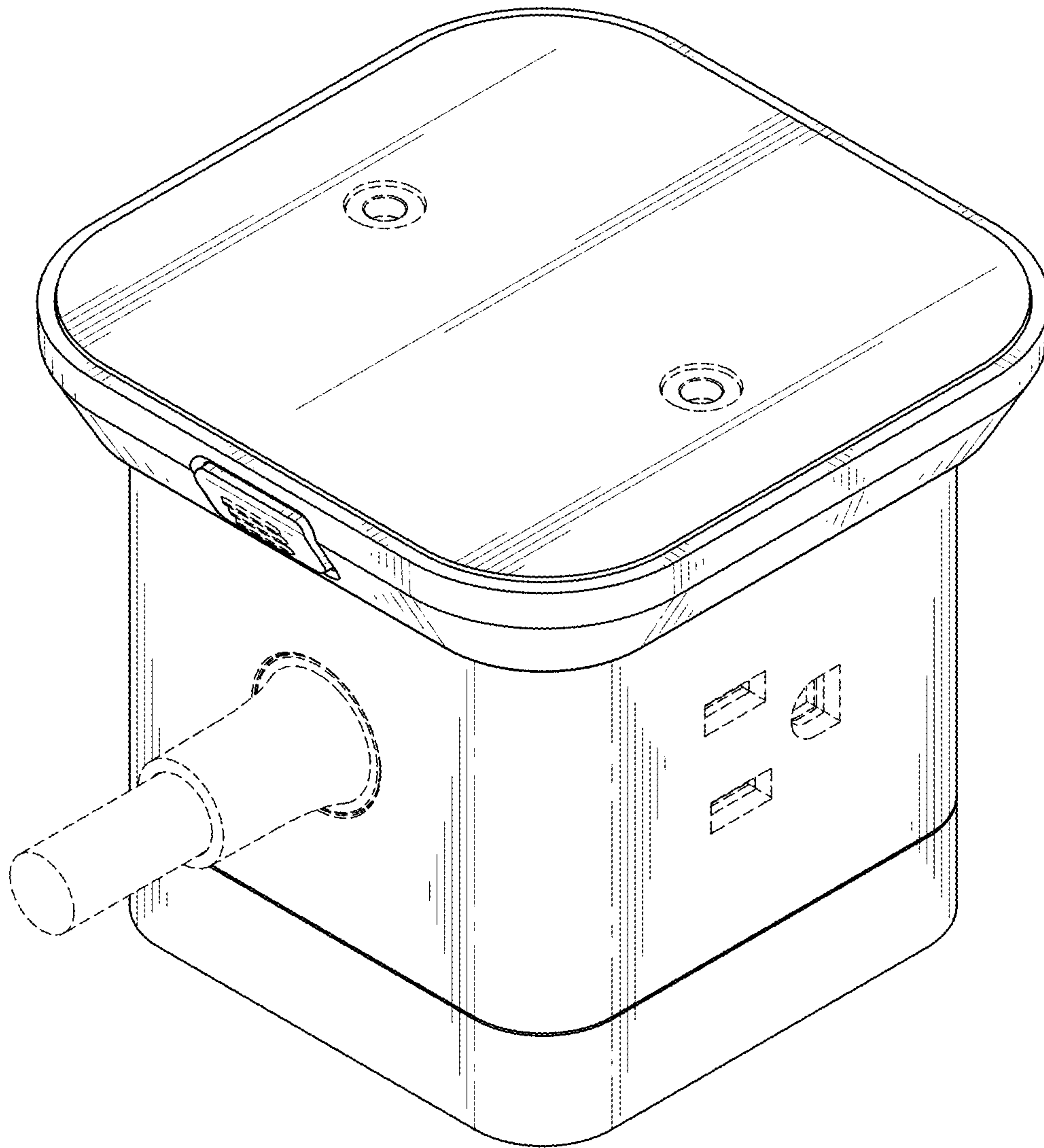


FIG. 2

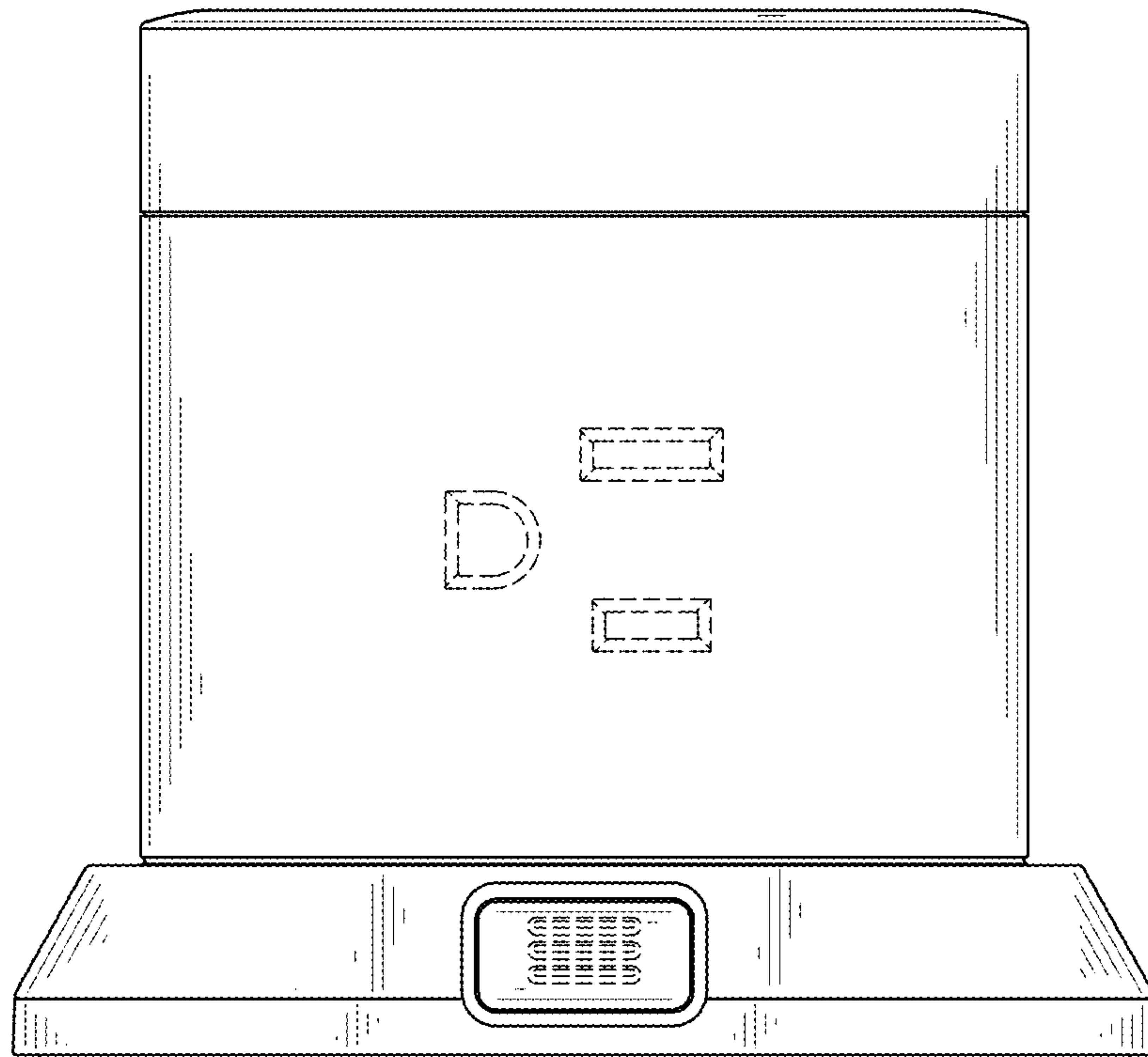


FIG. 3

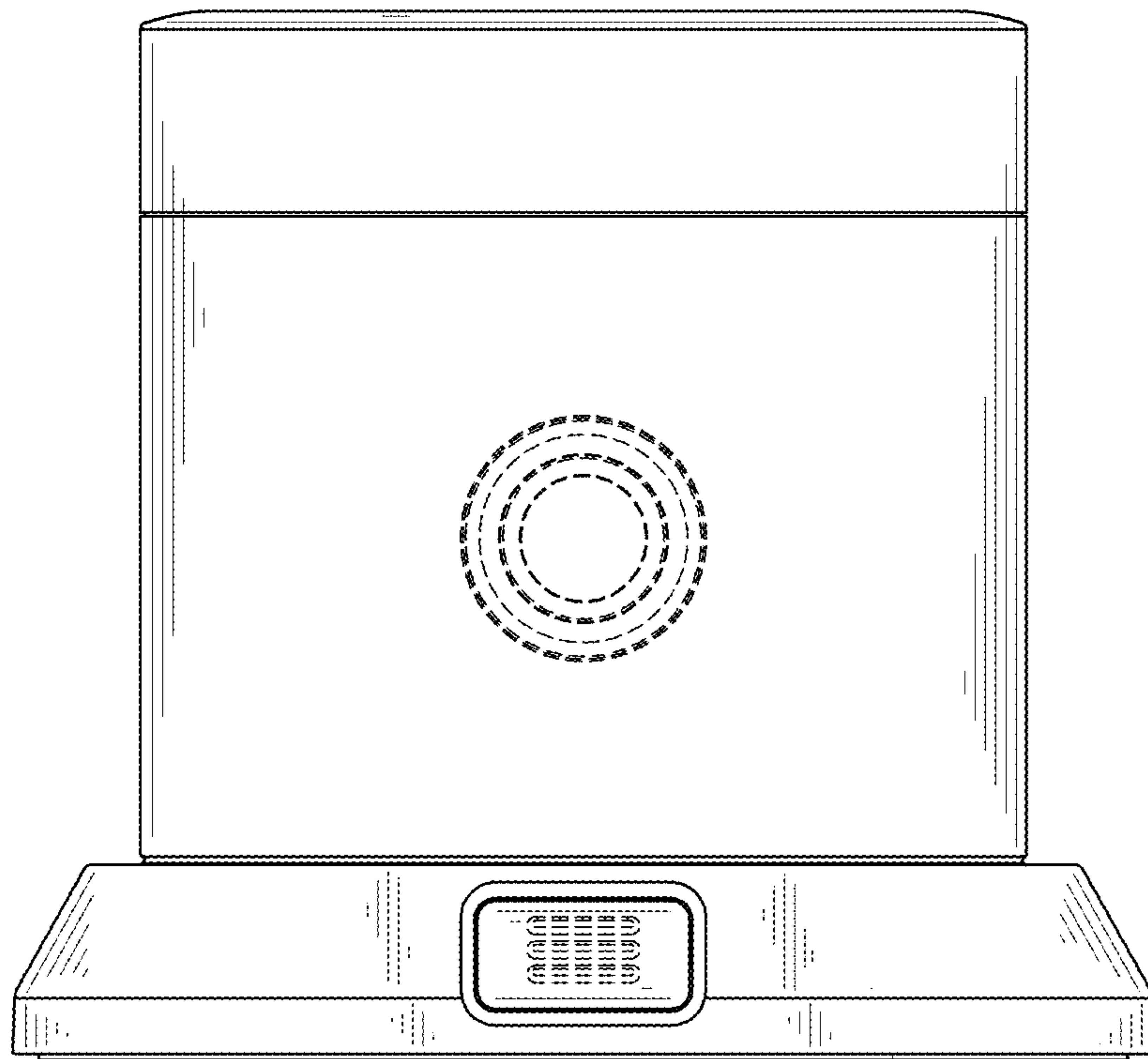


FIG. 4

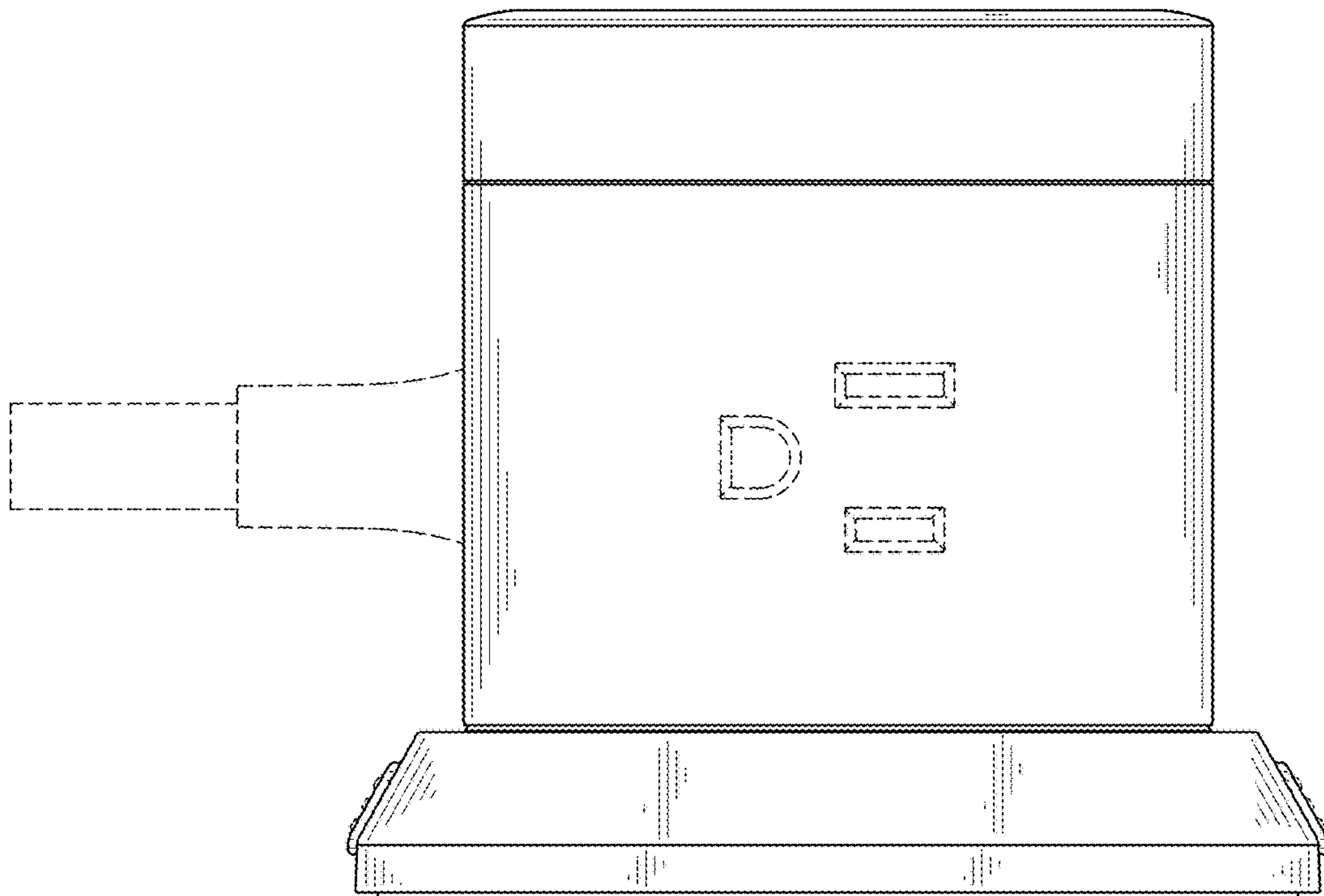


FIG. 5

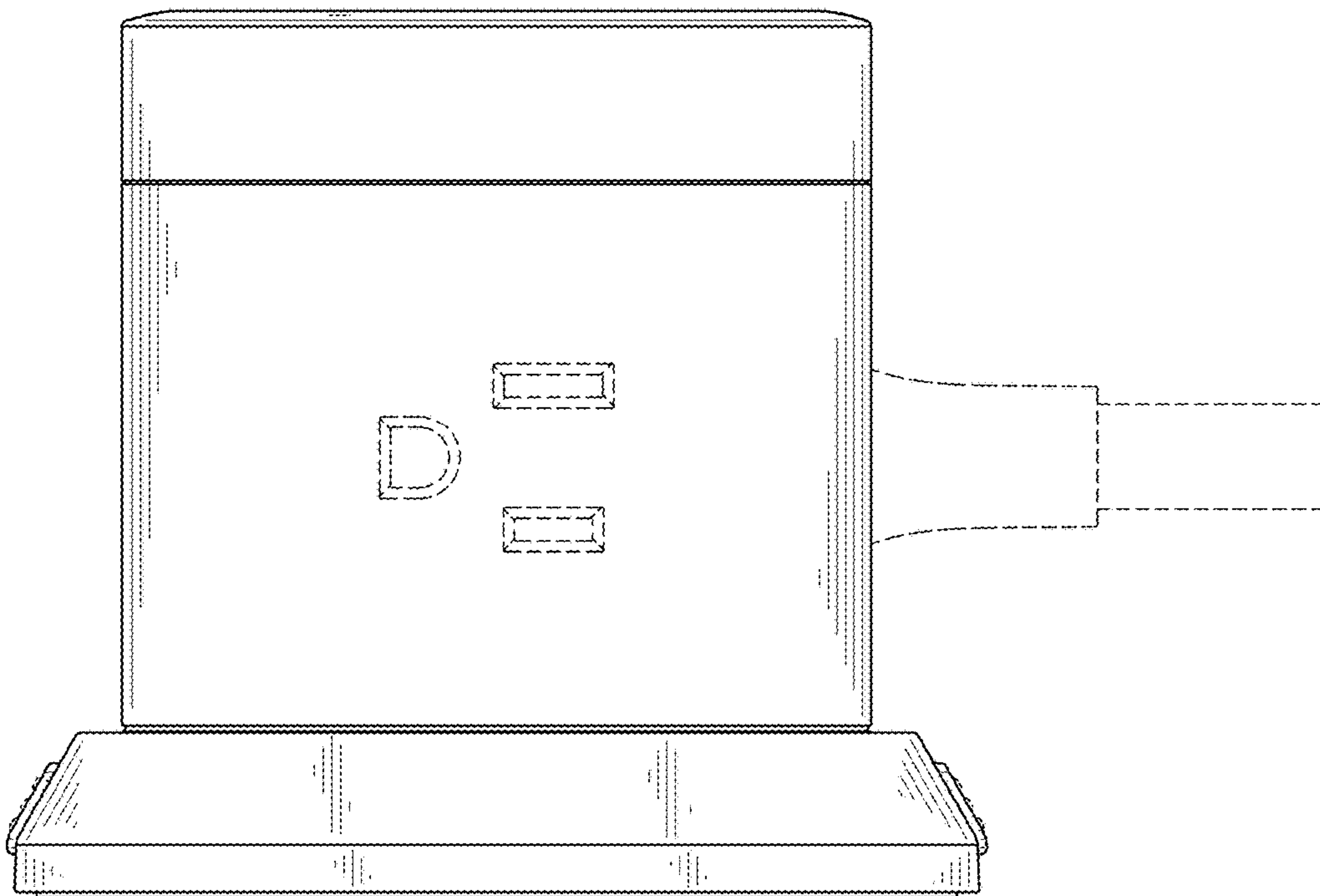


FIG. 6

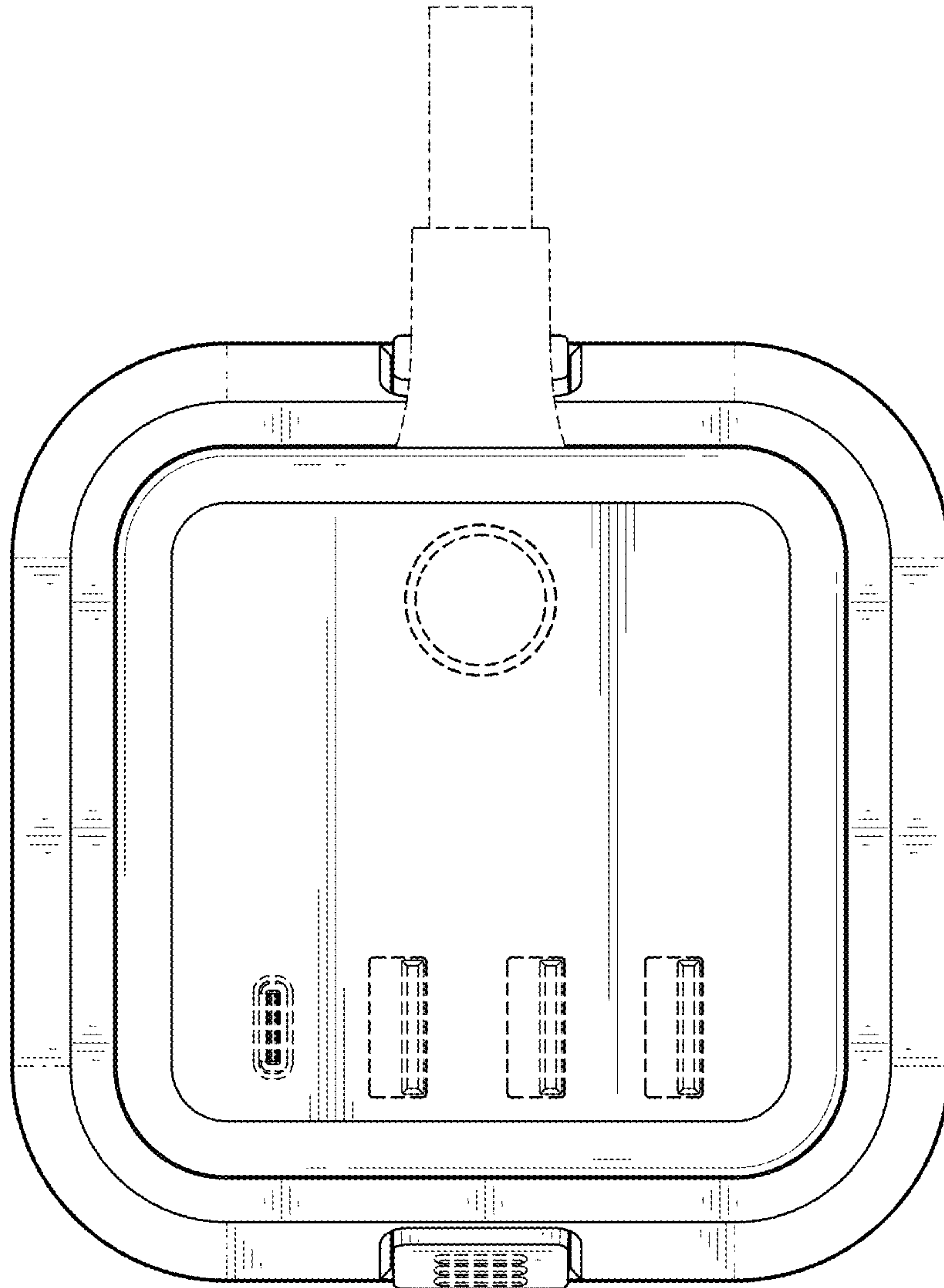


FIG. 7

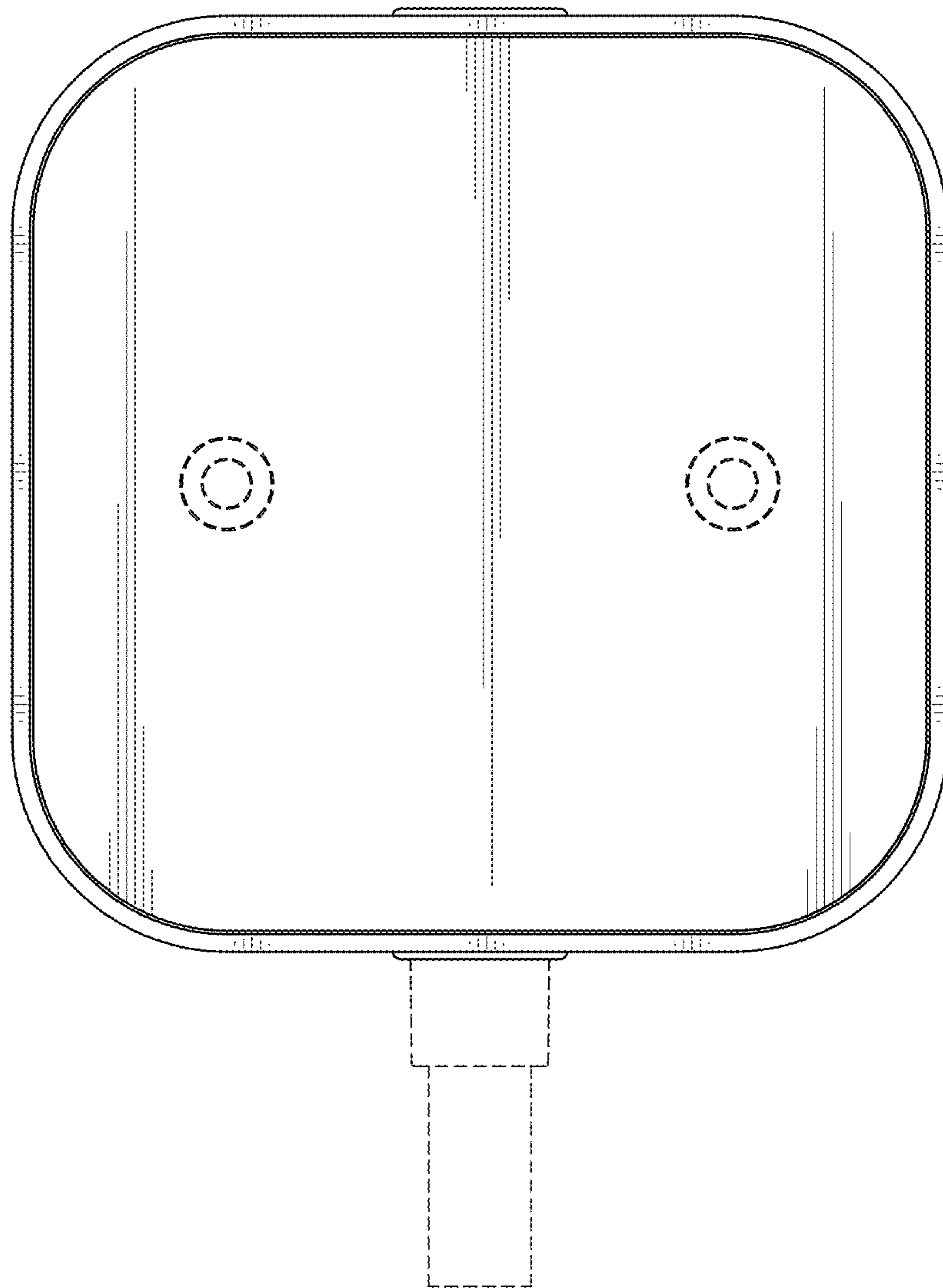


FIG. 8