



US00D807297S

(12) **United States Design Patent** (10) **Patent No.:** **US D807,297 S**  
**Byrne et al.** (45) **Date of Patent:** **\*\* Jan. 9, 2018**

(54) **ELECTRICAL POWER UNIT FOR A WORK SURFACE**

(71) Applicants: **Norman R. Byrne**, Ada, MI (US);  
**Thomas A. Petersen**, Sand Lake, MI (US)

(72) Inventors: **Norman R. Byrne**, Ada, MI (US);  
**Thomas A. Petersen**, Sand Lake, MI (US)

(\*\*) Term: **15 Years**

(21) Appl. No.: **29/567,472**

(22) Filed: **Jun. 9, 2016**

**Related U.S. Application Data**

(62) Division of application No. 29/519,621, filed on Mar. 6, 2015, now Pat. No. Des. 762,176.

(51) **LOC (11) Cl.** ..... **13-03**

(52) **U.S. Cl.**  
USPC ..... **D13/139.1**

(58) **Field of Classification Search**  
USPC ..... D13/138.1–138.2, 133, 146, 147,  
D13/139.1–139.8, 110, 137.1–137.4  
CPC ..... H01R 13/4534; H01R 13/052; H01R  
13/746; G02B 5/3083; H02B 1/048  
See application file for complete search history.

(56) **References Cited**

**U.S. PATENT DOCUMENTS**

D78,966 S 7/1929 Conner  
2,249,827 A 7/1941 Herman  
3,611,257 A 10/1971 Carkhuff  
3,850,496 A 11/1974 Hague  
4,372,629 A 2/1983 Propst  
4,453,059 A \* 6/1984 Fukushima ..... H02B 1/048  
200/296

D295,622 S 5/1988 Good et al.  
4,747,788 A 5/1988 Byrne

(Continued)

**OTHER PUBLICATIONS**

Heyco datasheet entitled “Preassembled Cordset Components: Tri-Tap Premold-NEMA 5-15R,” available at [http://www.heyco.com/Power\\_Components/pdf/8-21-114.pdf](http://www.heyco.com/Power_Components/pdf/8-21-114.pdf), identified prior to Jan. 15, 2013.

(Continued)

*Primary Examiner* — Rhea Shields

(74) *Attorney, Agent, or Firm* — Gardner, Linn, Burkhardt & Flory, LLP

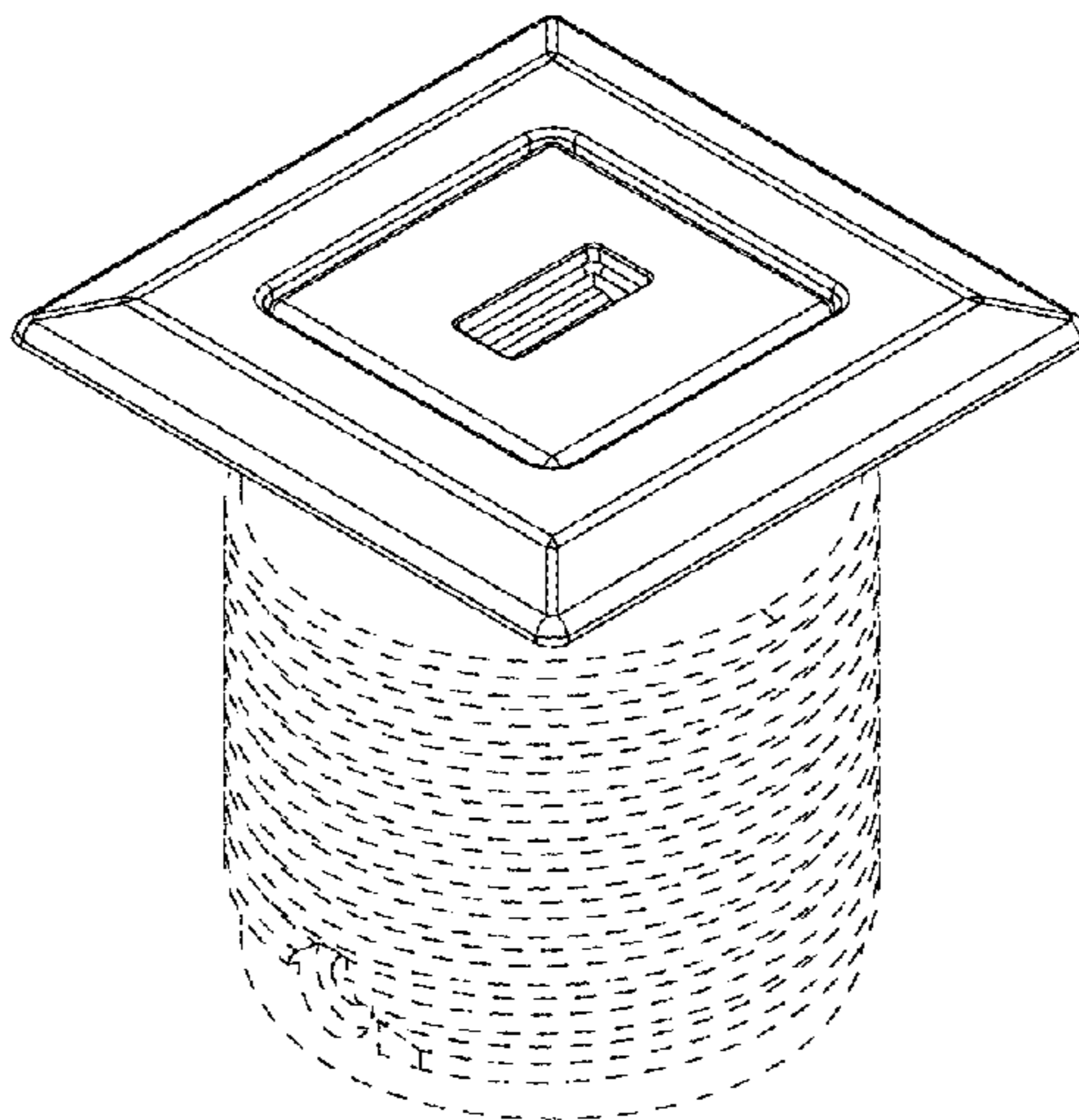
(57) **CLAIM**

The ornamental design for an electrical power unit for a work surface, as shown and described.

**DESCRIPTION**

FIG. 1 is a top perspective view of an electrical power unit for a work surface showing our new design; FIG. 2 is a bottom perspective view thereof; FIG. 3 is a top plan view thereof; FIG. 4 is a bottom plan view thereof; FIG. 5 is a rear elevation thereof; FIG. 6 is a front elevation thereof; FIG. 7 is a right side elevation thereof; FIG. 8 is a left side elevation thereof; FIG. 9 is a top perspective view of another electrical power unit for a work surface showing our new design; FIG. 10 is a bottom perspective view thereof; FIG. 11 is a top plan view thereof; FIG. 12 is a bottom plan view thereof; FIG. 13 is a rear elevation thereof; FIG. 14 is a front elevation thereof; FIG. 15 is a right side elevation thereof; and, FIG. 16 is a left side elevation thereof. In the drawings, the broken lines depict unclaimed subject matter only and form no part of the claimed design.

**1 Claim, 4 Drawing Sheets**



(56)

References Cited

U.S. PATENT DOCUMENTS

4,984,982 A 1/1991 Brownlie  
 D325,723 S 4/1992 Gary et al.  
 5,234,355 A 8/1993 Sosinski et al.  
 D342,937 S 1/1994 Angel, Jr. et al.  
 D350,727 S 9/1994 Landry et al.  
 D375,292 S 11/1996 D'Amato  
 5,575,668 A 11/1996 Timmerman  
 5,647,751 A 7/1997 Shulman et al.  
 D389,459 S 1/1998 Byrne  
 5,705,772 A 1/1998 Brown  
 5,709,156 A 1/1998 Gavaert  
 D399,826 S 10/1998 Byrne  
 D405,416 S 2/1999 Byrne  
 5,888,093 A 3/1999 Polgar et al.  
 D409,980 S 5/1999 Byrne  
 5,922,993 A 7/1999 Ide et al.  
 D418,815 S 1/2000 Byrne  
 6,024,599 A 2/2000 Stathis et al.  
 6,081,356 A 6/2000 Branc et al.  
 D430,539 S 9/2000 Leopold et al.  
 6,290,512 B1 9/2001 Mullen, Jr.  
 6,307,152 B1 10/2001 Bonilla et al.  
 6,488,540 B2 12/2002 Coyle et al.  
 6,492,591 B1 12/2002 Metcalf  
 D479,825 S 9/2003 Hung  
 6,923,684 B2 8/2005 Strayer  
 6,981,896 B2 1/2006 Su  
 D514,518 S 2/2006 Strayer  
 7,053,296 B2 5/2006 Drane et al.  
 D534,495 S 1/2007 Gershfeld  
 D537,039 S 2/2007 Pincek  
 7,244,128 B2 7/2007 Byrne  
 7,258,564 B1 8/2007 Su  
 D553,306 S 10/2007 Hansen  
 D558,676 S 1/2008 Fort et al.  
 D568,816 S 5/2008 Micheals  
 D573,950 S 7/2008 Schwartz  
 7,559,795 B2 7/2009 Byrne  
 D601,503 S 10/2009 Gribble et al.  
 D614,574 S 4/2010 Tommes  
 7,806,723 B2 10/2010 Chong et al.  
 7,833,037 B2 11/2010 Reusche et al.  
 D633,870 S 3/2011 Thommes  
 D647,853 S 11/2011 Kan  
 D653,215 S 1/2012 Lam  
 D670,248 S 11/2012 Chen

D674,754 S 1/2013 Zanoni et al.  
 D677,630 S 3/2013 Zien et al.  
 D681,554 S 5/2013 Nelson et al.  
 D682,212 S 5/2013 Udagawa et al.  
 8,480,415 B2 7/2013 Byrne  
 8,512,065 B2 8/2013 Byrne et al.  
 D698,314 S \* 1/2014 Byrne ..... D13/139.3  
 D701,836 S \* 4/2014 Byrne ..... H01R 13/52  
 D13/139.1  
 8,736,106 B2 5/2014 Byrne  
 D707,626 S 6/2014 Atkinson et al.  
 D711,323 S 8/2014 Wardenburg  
 D714,726 S 10/2014 Byrne et al.  
 D721,330 S \* 1/2015 Byrne ..... D13/146  
 D722,563 S \* 2/2015 Byrne ..... D13/146  
 8,987,642 B2 3/2015 Byrne  
 D730,834 S \* 6/2015 Byrne ..... D13/139.1  
 D739,821 S 9/2015 Byrne et al.  
 D741,266 S \* 10/2015 Byrne ..... D13/138.2  
 D741,267 S \* 10/2015 Byrne ..... D13/139.1  
 D744,951 S 12/2015 Dosterman et al.  
 D751,502 S 3/2016 Riner  
 D762,176 S \* 7/2016 Byrne ..... D13/139.1  
 D793,343 S \* 8/2017 Byrne ..... D13/152  
 9,748,709 B2 \* 8/2017 Byrne ..... H01R 13/746  
 2006/0258195 A1 11/2006 Schwartz et al.  
 2007/0275594 A1 11/2007 Greenberg  
 2010/0068908 A1 3/2010 Byrne  
 2011/0244700 A1 10/2011 Byrne  
 2015/0037989 A1 \* 2/2015 Byrne ..... H01R 13/4534  
 439/137

OTHER PUBLICATIONS

<http://www.grainger.com/Grainger/Plug-Adaptor-11K293?Pid=search>, identified May 2, 2013.  
[Mtp://www.zingearpc.en.ec21.com/Zing\\_Ear\\_Snap\\_In\\_Receptacle--5769349\\_5769674.html](http://www.zingearpc.en.ec21.com/Zing_Ear_Snap_In_Receptacle--5769349_5769674.html), identified May 2, 2013.  
 "Leviton 120V . . .", reference dated Sep. 17, 2014, found on the internet at: [http://www.auberins.com/index.php?page=product\\_info&products\\_id=409](http://www.auberins.com/index.php?page=product_info&products_id=409).  
 "Wholesale 1-7/8. . .", referenced dated Jan. 19, 2010, found on the internet at; <http://www.wellpromo.com/Wholesale/Power-Supplies-Inverters/1-7-8-x3-1-4--Giftcor-Universal-Power-Adaptor-Plug-86799.htm>.  
 Co-pending Design U.S. Appl. No. 29/519,621, filed Mar. 6, 2015.

\* cited by examiner

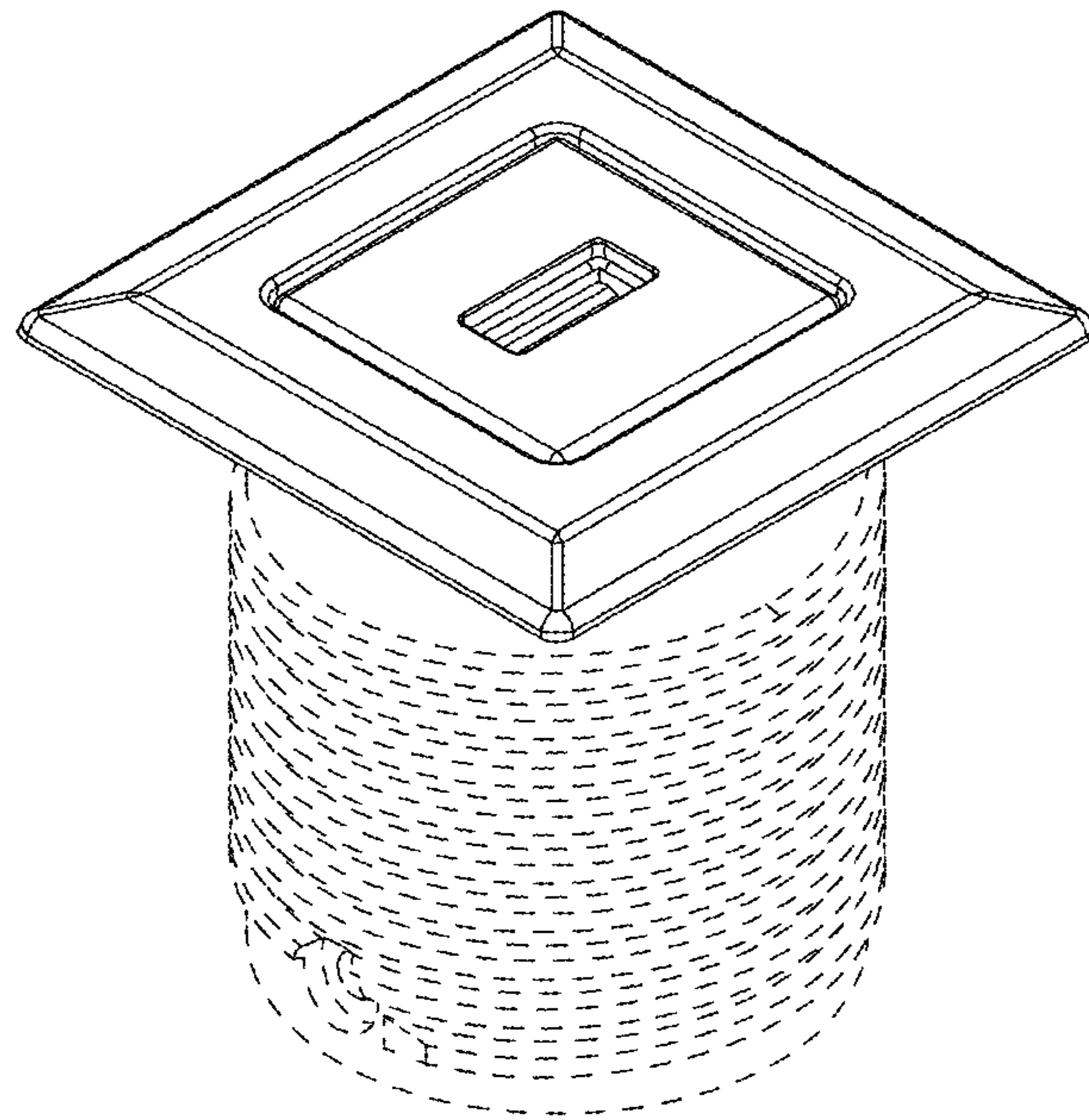


FIG. 1

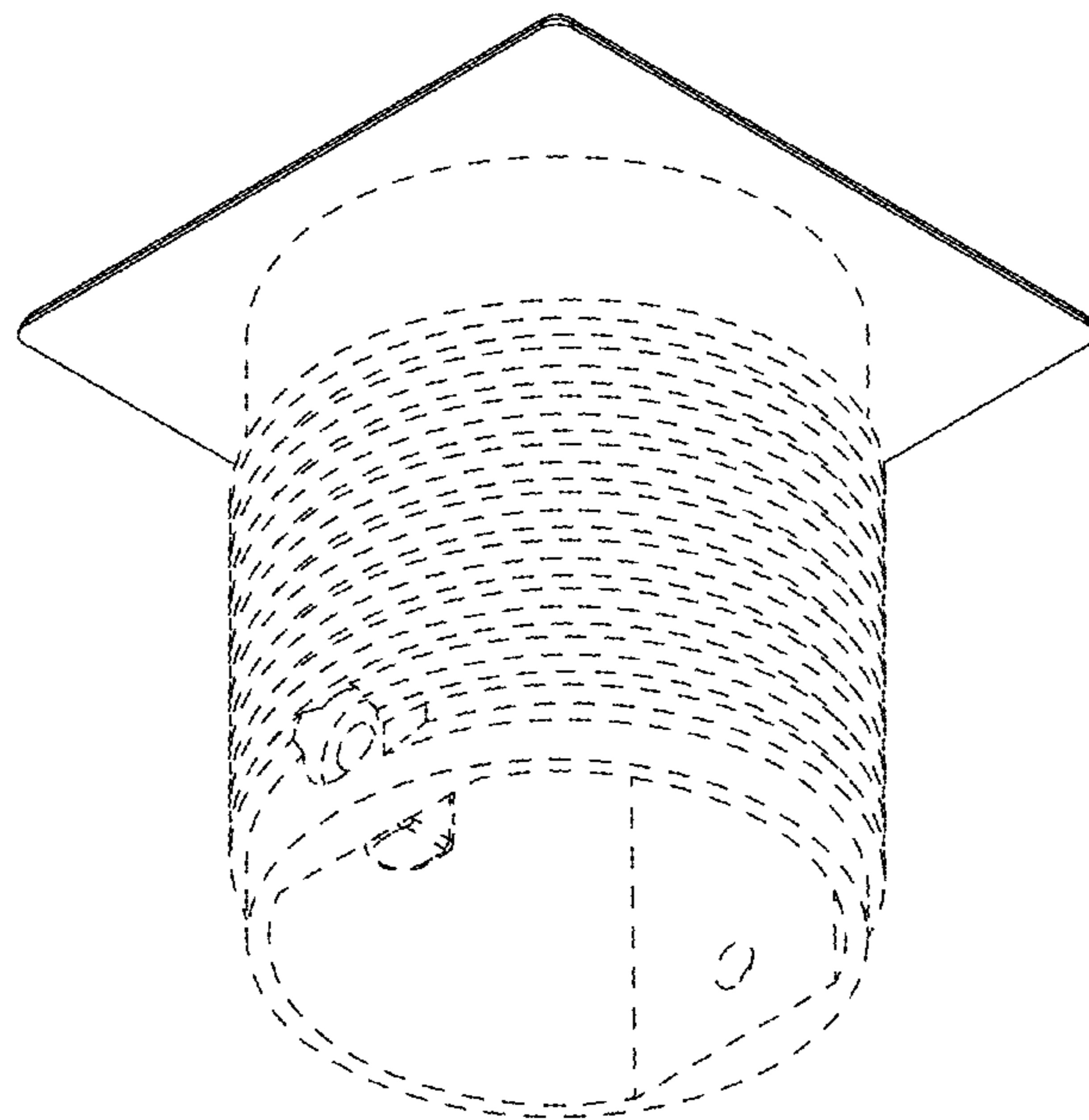


FIG. 2

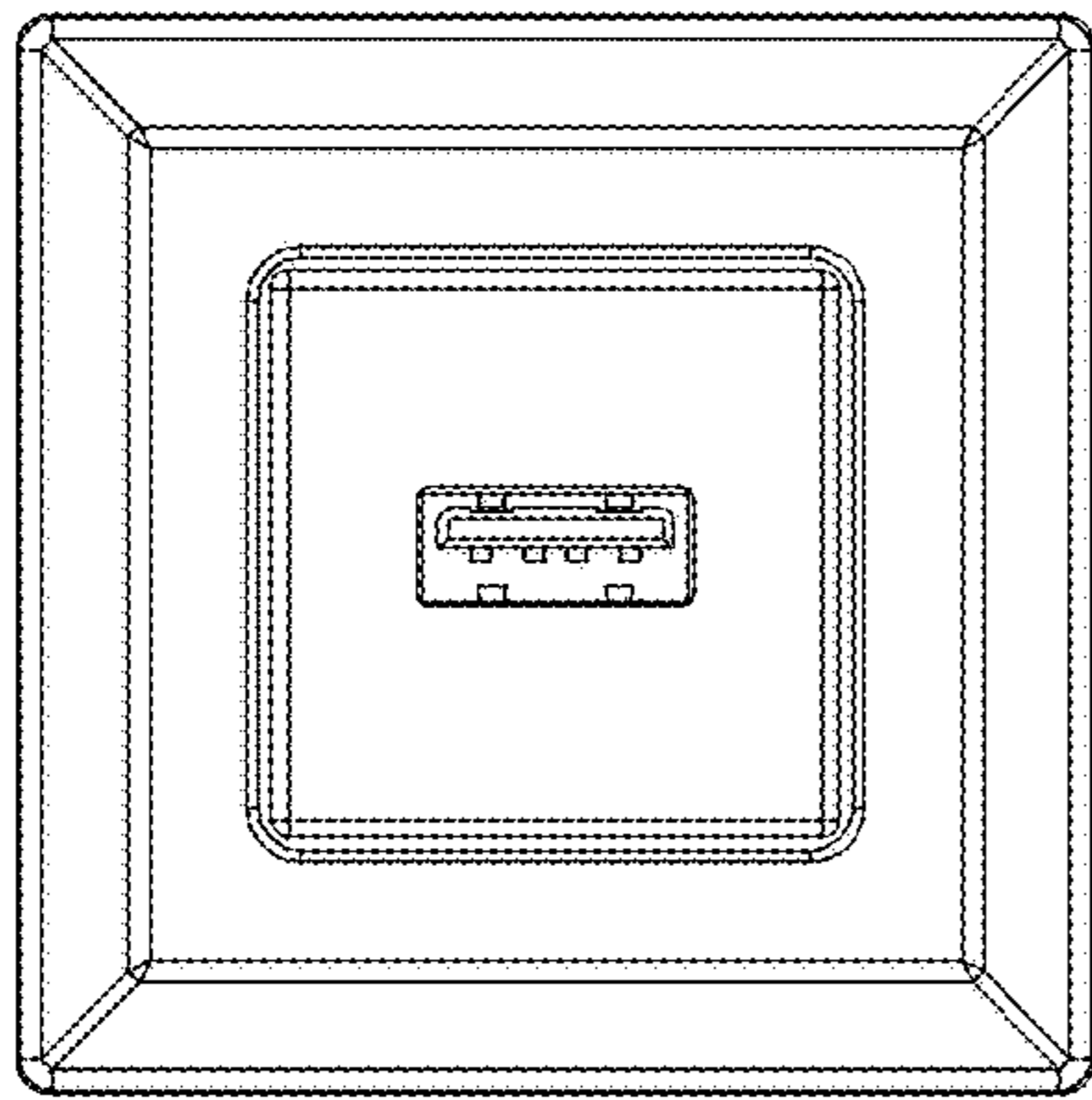


FIG. 3

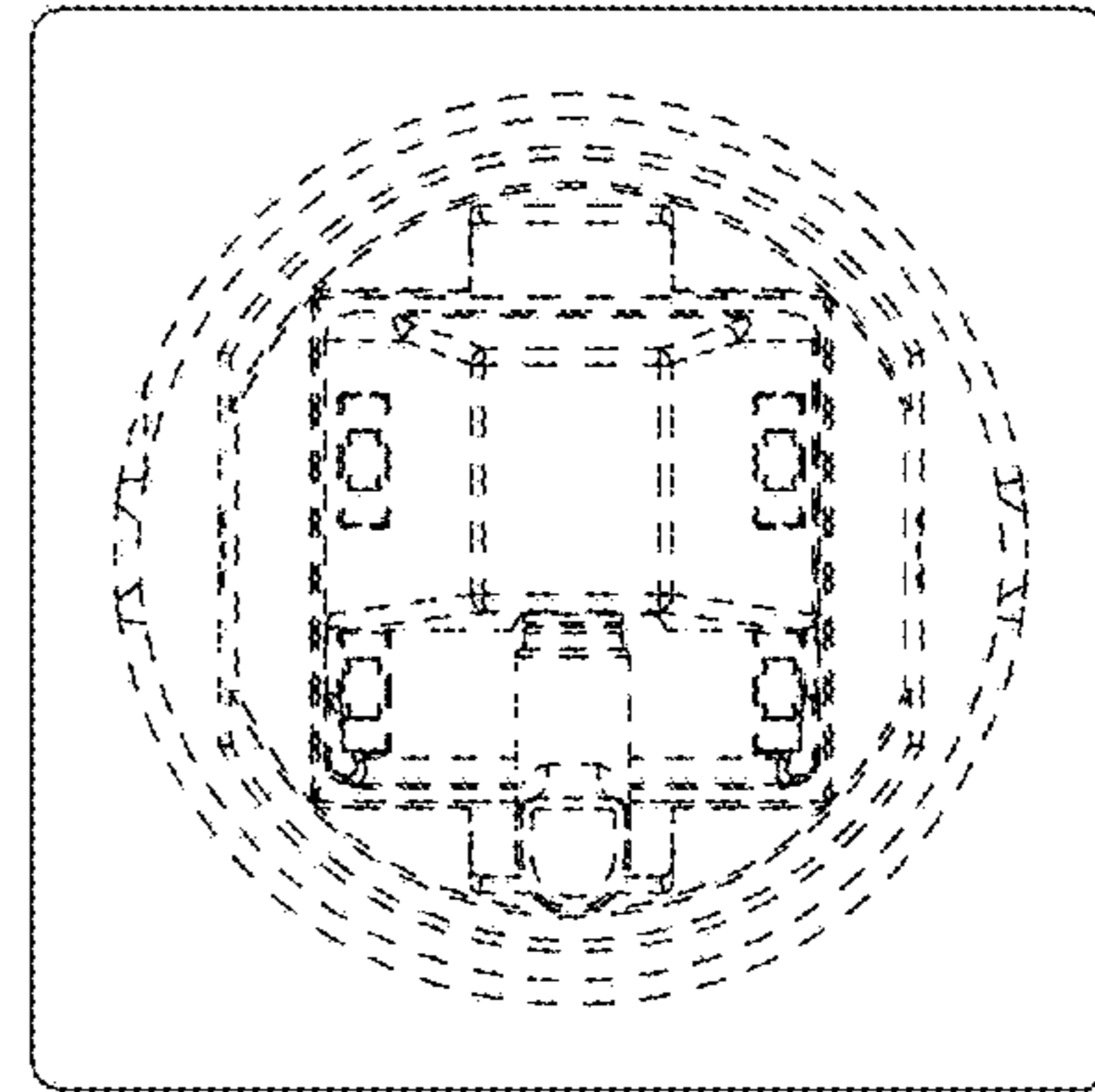


FIG. 4

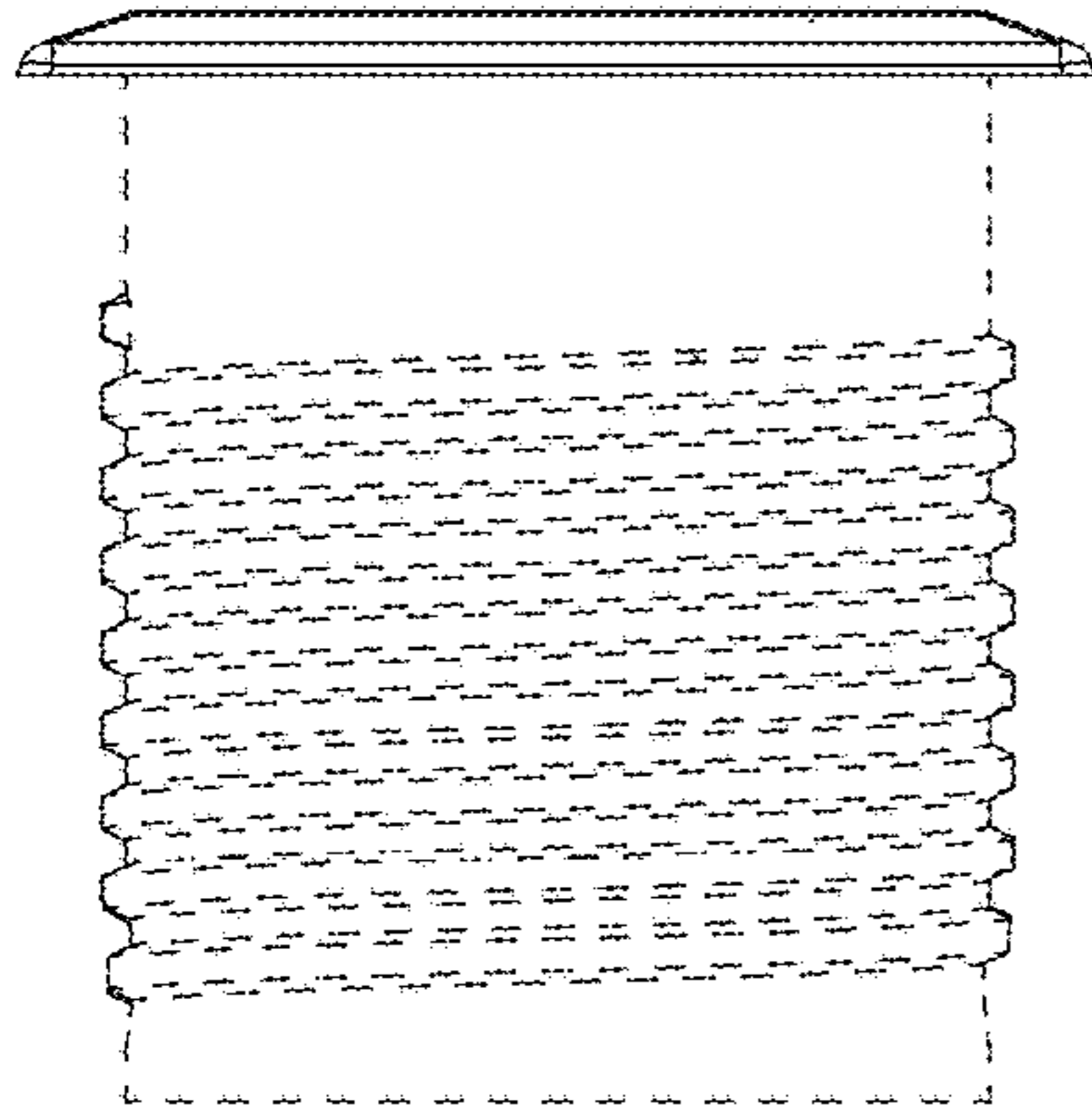


FIG. 5

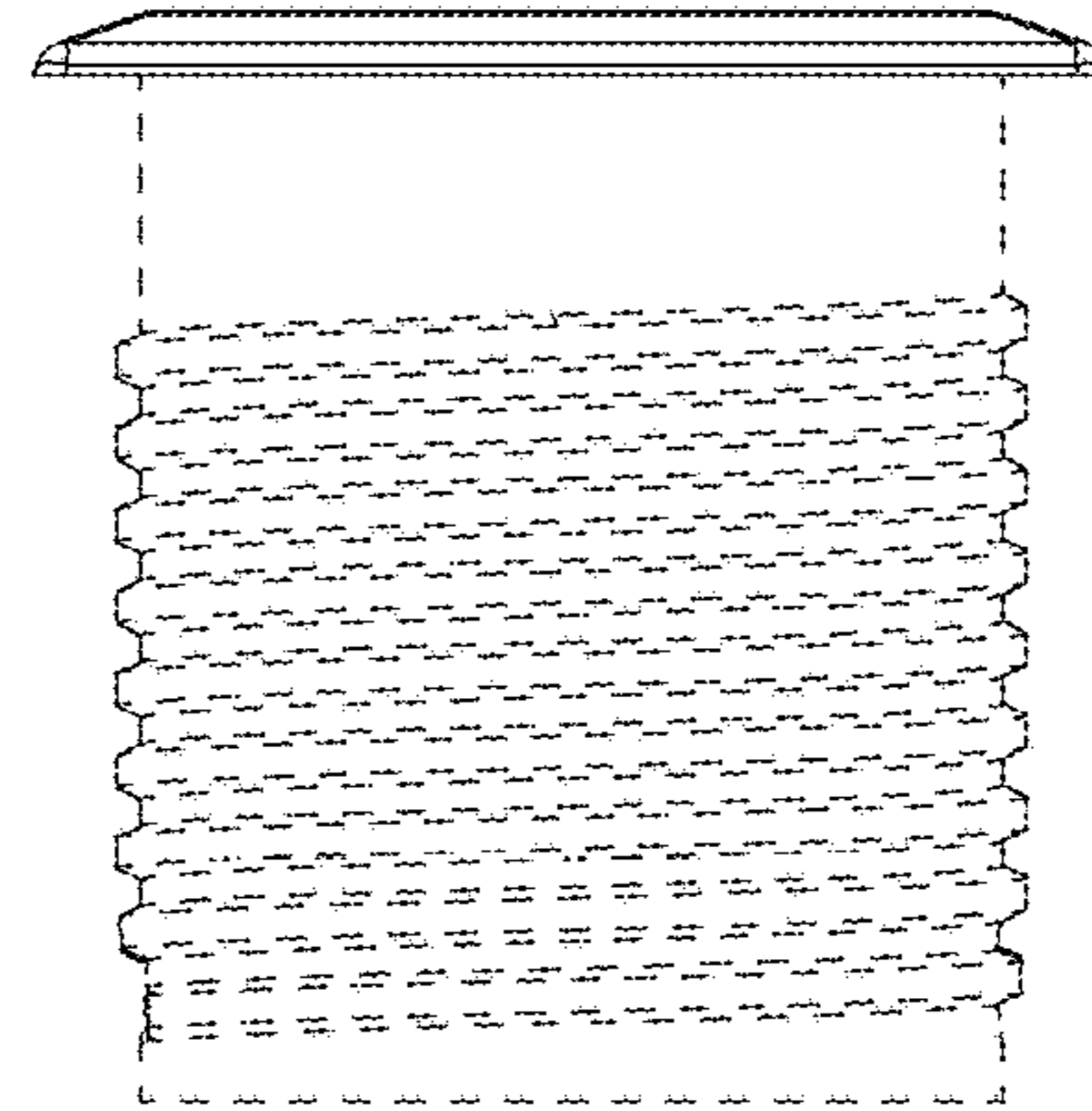


FIG. 6

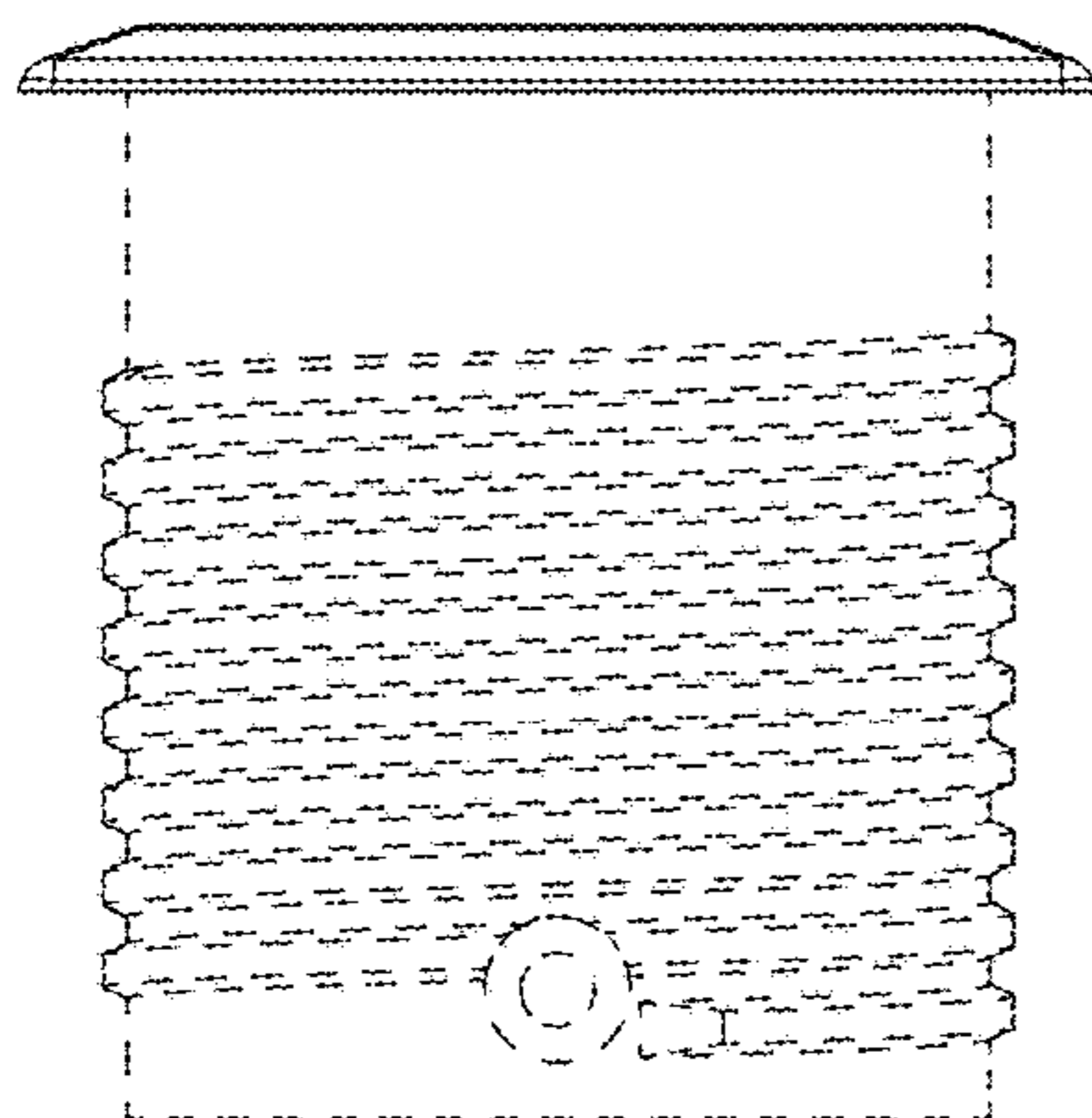


FIG. 7

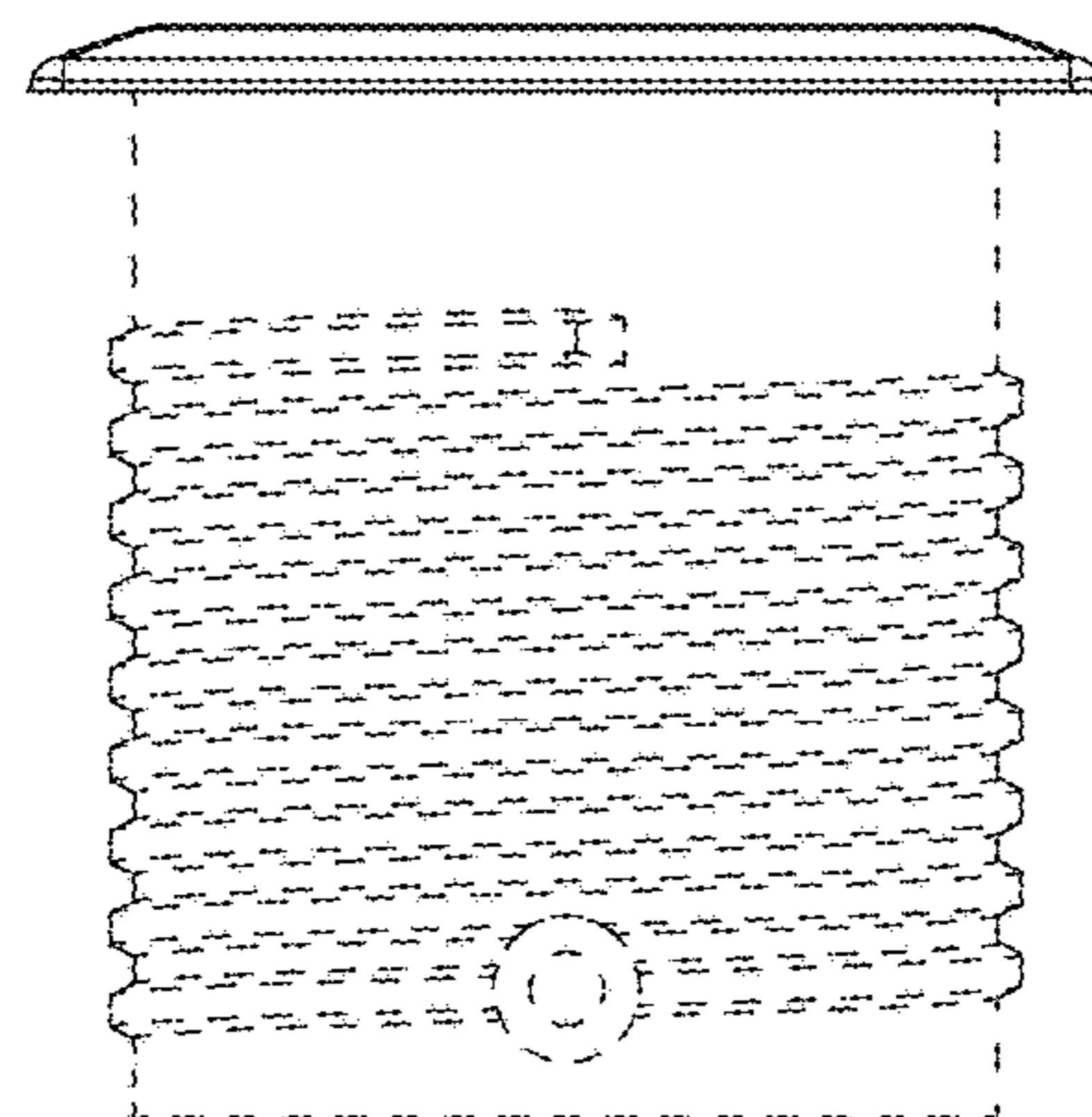


FIG. 8

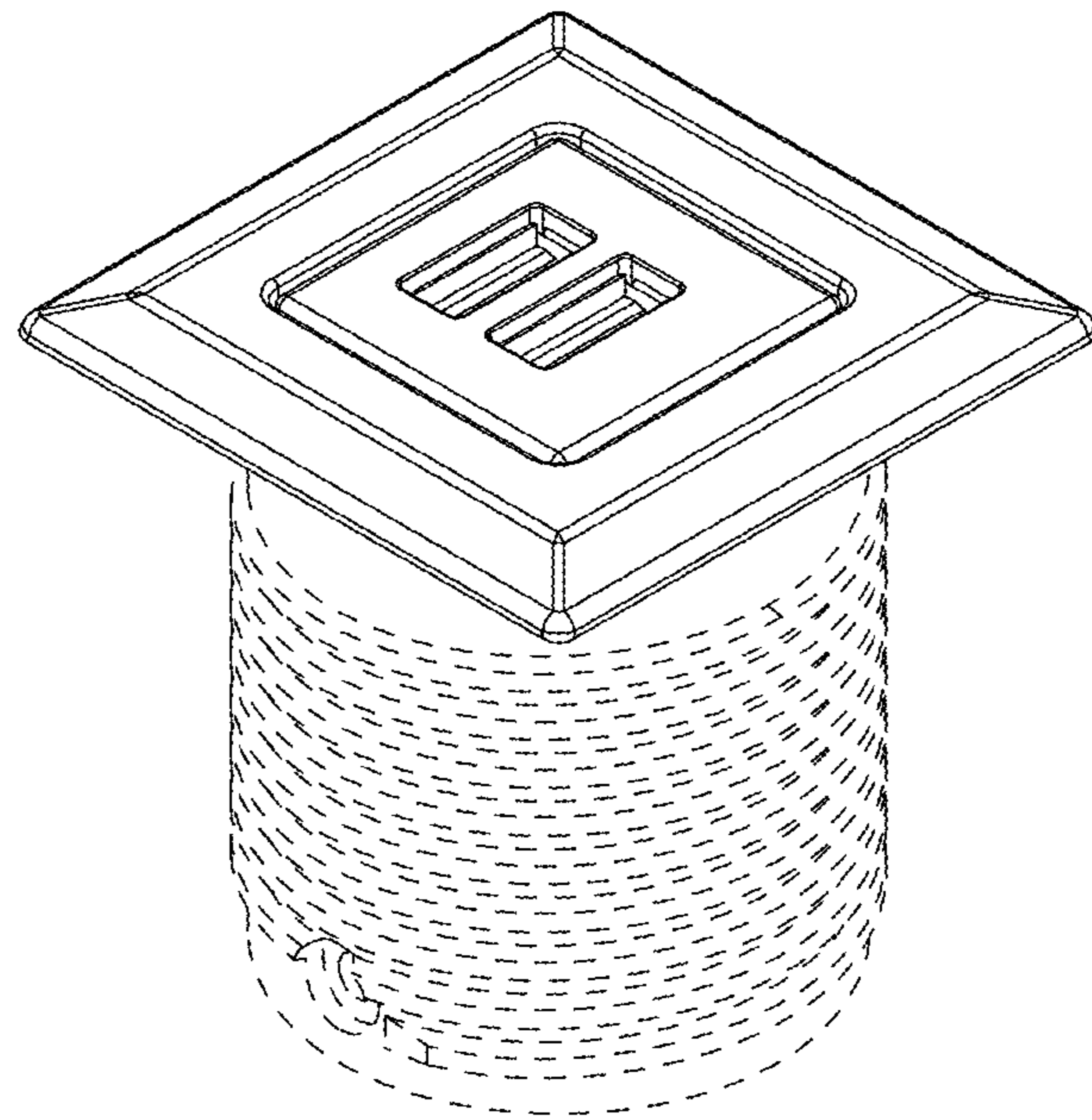


FIG. 9

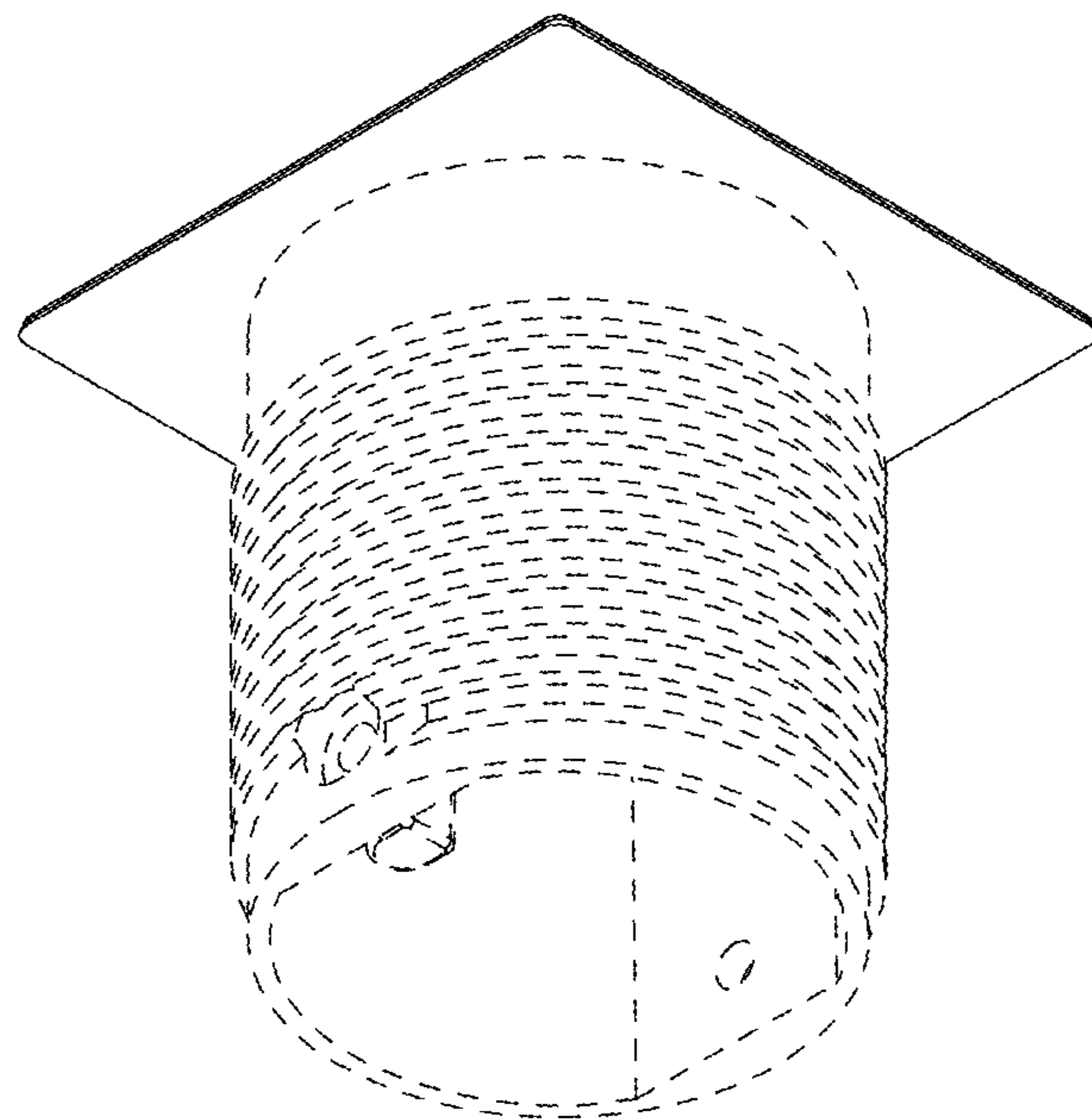


FIG. 10

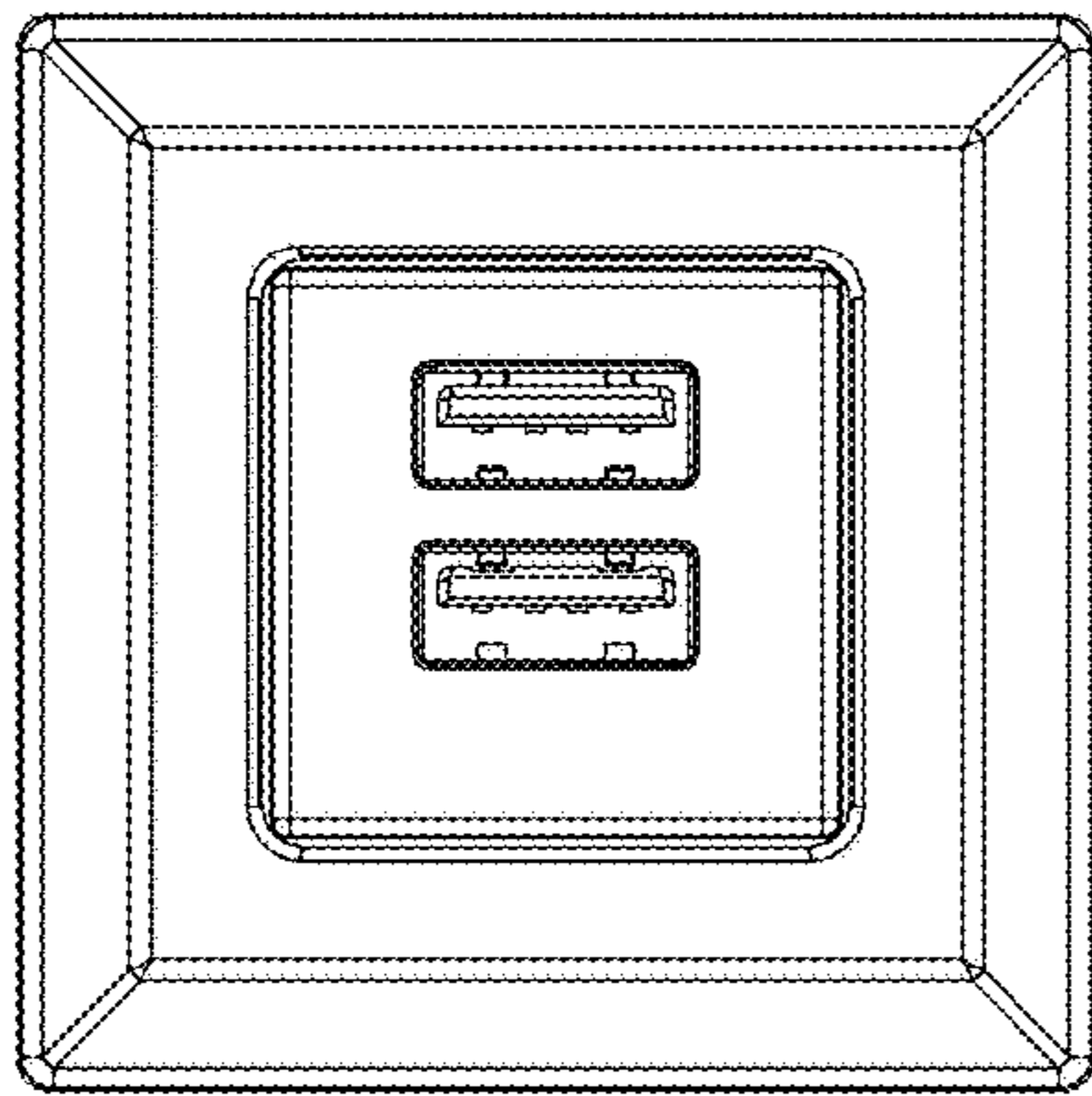


FIG. 11

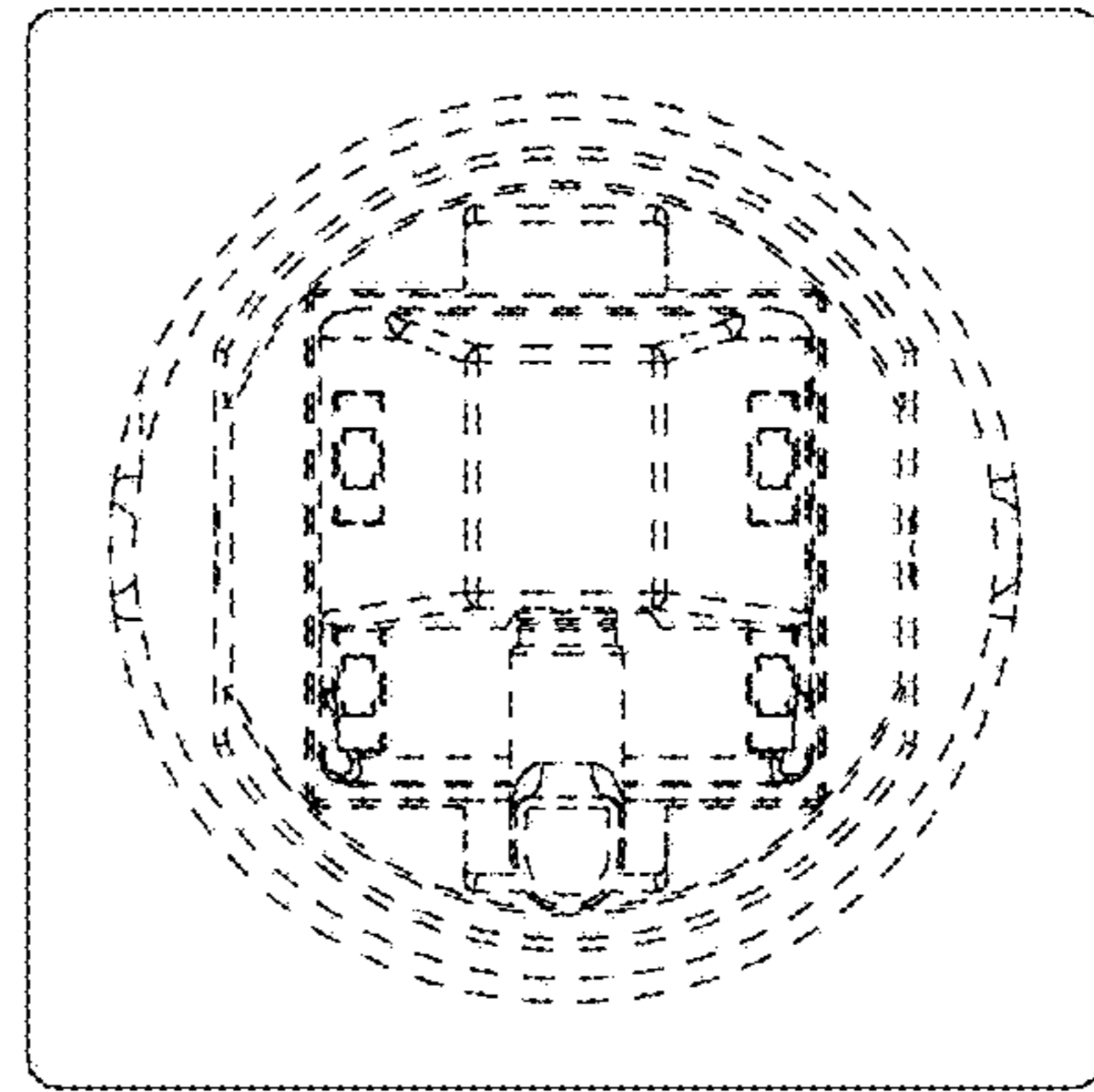


FIG. 12

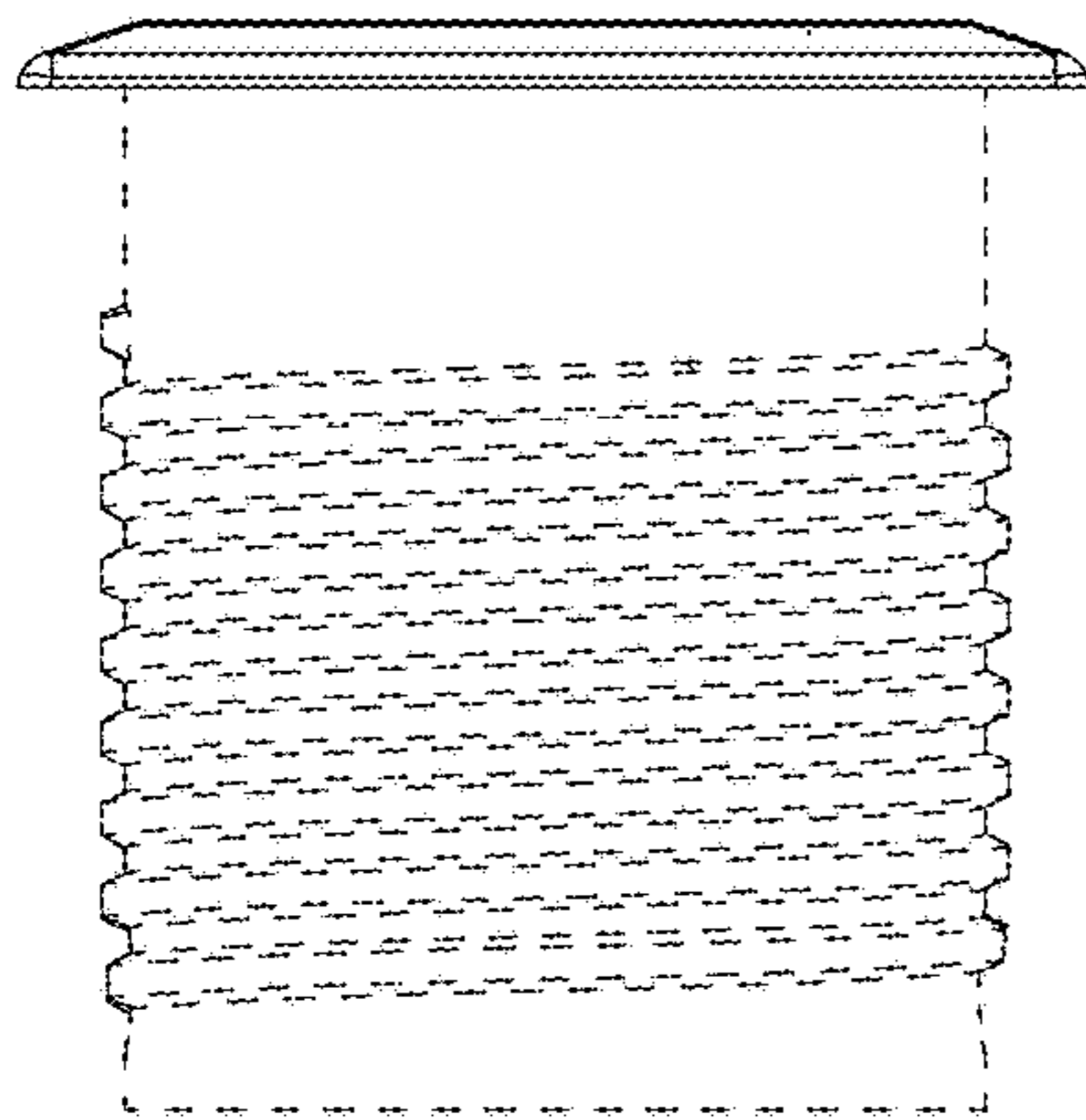


FIG. 13

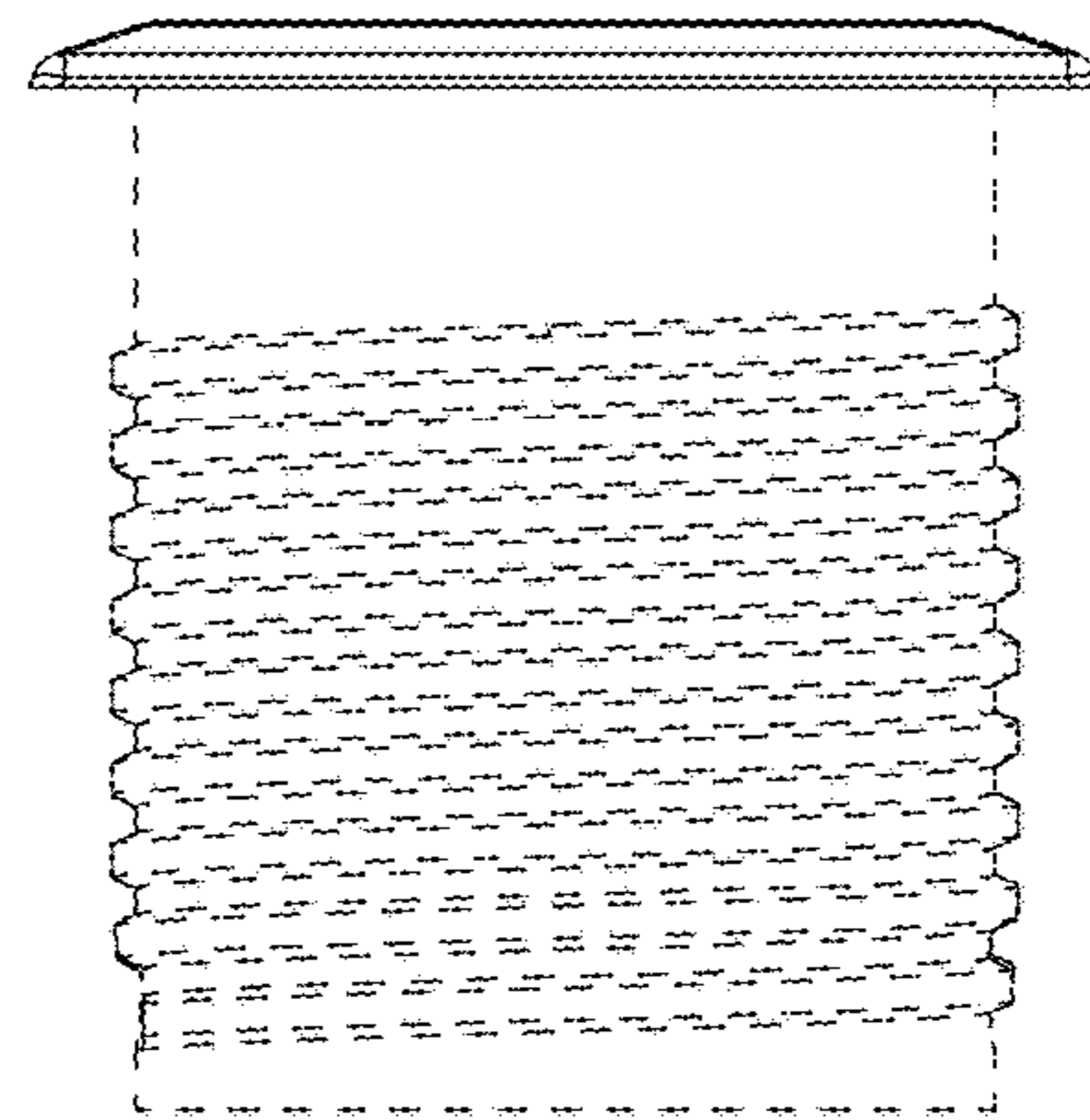


FIG. 14

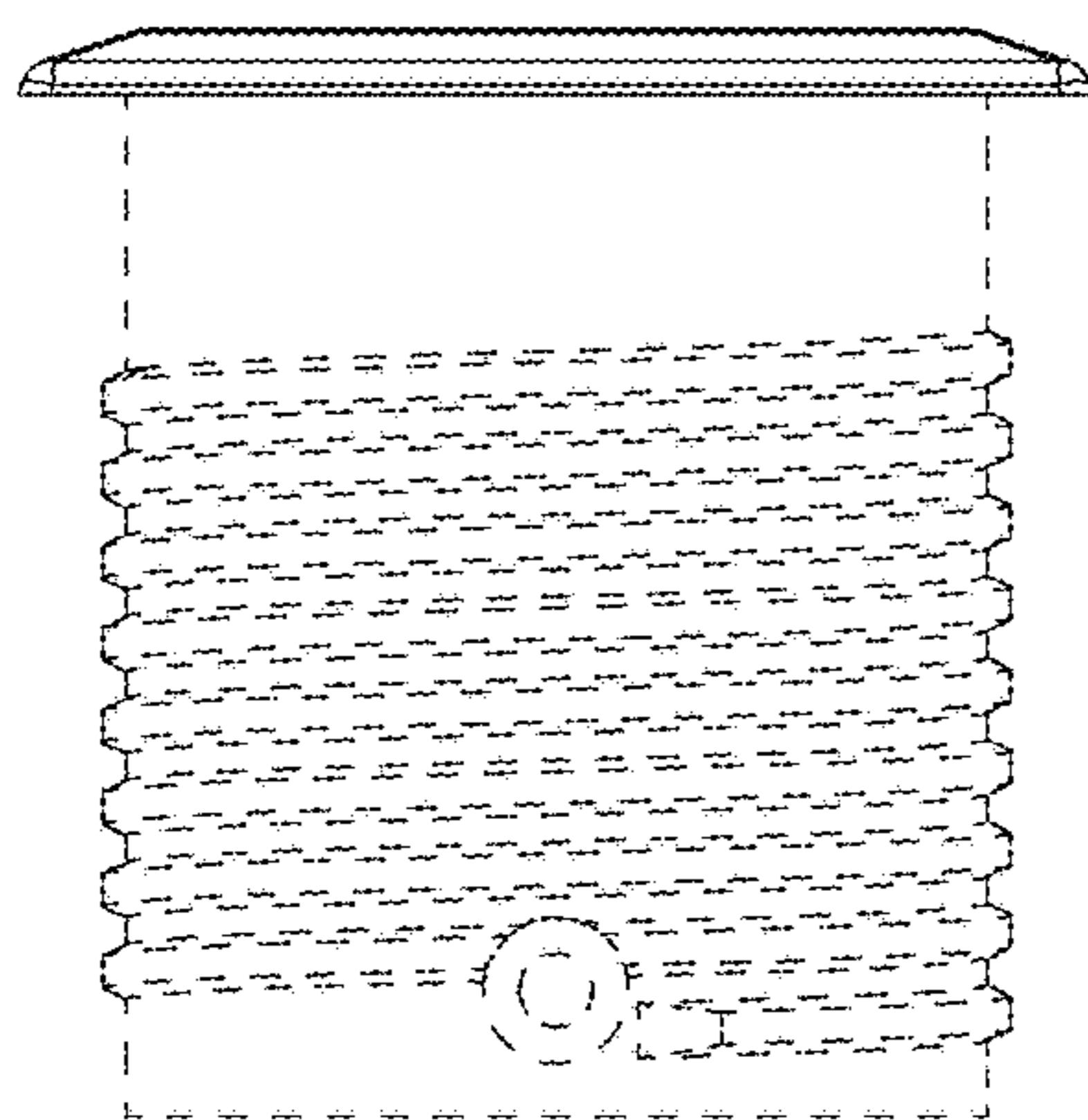


FIG. 15

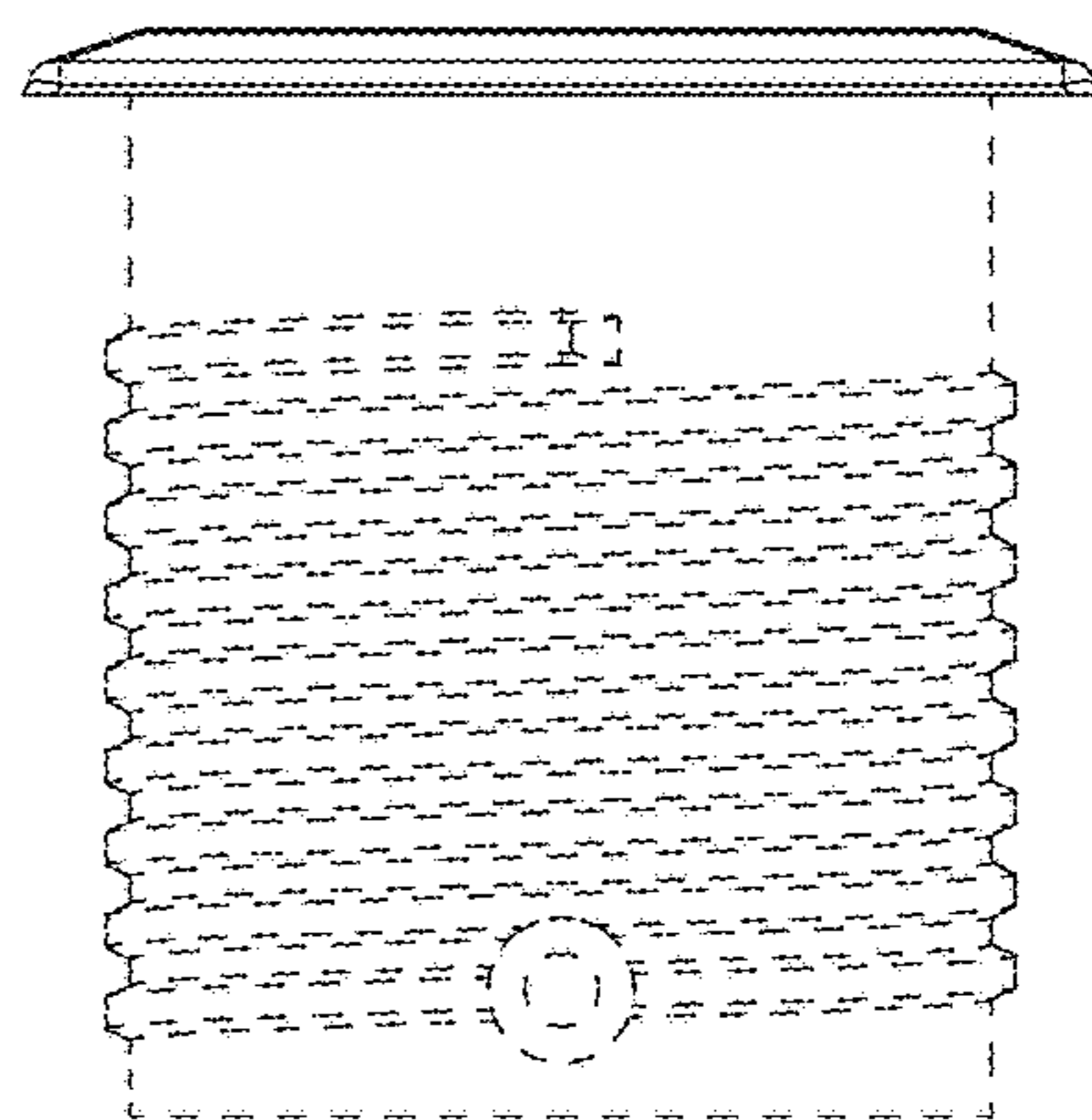


FIG. 16