



US00D807296S

(12) **United States Design Patent**
Gorin et al.

(10) **Patent No.:** **US D807,296 S**
(45) **Date of Patent:** **** Jan. 9, 2018**

(54) **FACEPLATE WITH A PLUG FOR CHARGING A PORTABLE COMMUNICATIONS DEVICE**

(71) Applicants: **Thomas Michael Gorin**, Atlanta, GA (US); **James Loye Hutchinson**, Dallas, GA (US); **Cassidy Amber Jones**, Mableton, GA (US); **Jeremy Sabri Omess**, Sandy Springs, GA (US); **Nicolas Juan Nuñez**, Suwanee, GA (US); **Hagan McBride**, Duluth, GA (US)

(72) Inventors: **Thomas Michael Gorin**, Atlanta, GA (US); **James Loye Hutchinson**, Dallas, GA (US); **Cassidy Amber Jones**, Mableton, GA (US); **Jeremy Sabri Omess**, Sandy Springs, GA (US); **Nicolas Juan Nuñez**, Suwanee, GA (US); **Hagan McBride**, Duluth, GA (US)

(73) Assignee: **DATA:COMM ELECTRONICS, INC.**, Norcross, GA (US)

(**) Term: **15 Years**

(21) Appl. No.: **29/563,313**

(22) Filed: **May 4, 2016**

(51) **LOC (11) Cl.** **13-03**

(52) **U.S. Cl.**
USPC **D13/139.1**

(58) **Field of Classification Search**
USPC D13/108, 110, 123, 133, 137.1–137.4, D13/138.1–138.2, 139.1–139.8, 152–154, D13/156, 158, 177, 146, 147; D8/350–353, 331; D25/138, 163, 164
CPC H01R 25/00; H01R 25/006; H01R 9/00; H01R 11/00; H01R 3/00; H05K 5/02
See application file for complete search history.

(56) **References Cited**

U.S. PATENT DOCUMENTS

5,562,488 A	10/1996	Neiser et al.	
5,700,158 A	12/1997	Neiser et al.	
5,723,815 A	3/1998	Pena	
D427,887 S *	7/2000	Leopold	D13/154
6,923,675 B2	8/2005	Gorin	
7,000,746 B2	2/2006	Mackin et al.	
7,193,154 B1 *	3/2007	Connelly	H02G 3/14 174/66
D545,272 S *	6/2007	Zhang	D13/139.3
D558,676 S *	1/2008	Fort	D13/139.3
D595,229 S *	6/2009	LaGrotta	D13/137.2
7,857,659 B2	12/2010	Wang et al.	
D742,825 S *	11/2015	Tsou	D13/108
D758,312 S *	6/2016	Lin	D13/137.2
2007/0272532 A1 *	11/2007	Pessina	H02G 3/14 200/333

(Continued)

Primary Examiner — Rosemary K Tarcza

Assistant Examiner — Christy Nemeth

(74) *Attorney, Agent, or Firm* — Thomas | Horstemeyer, LLP

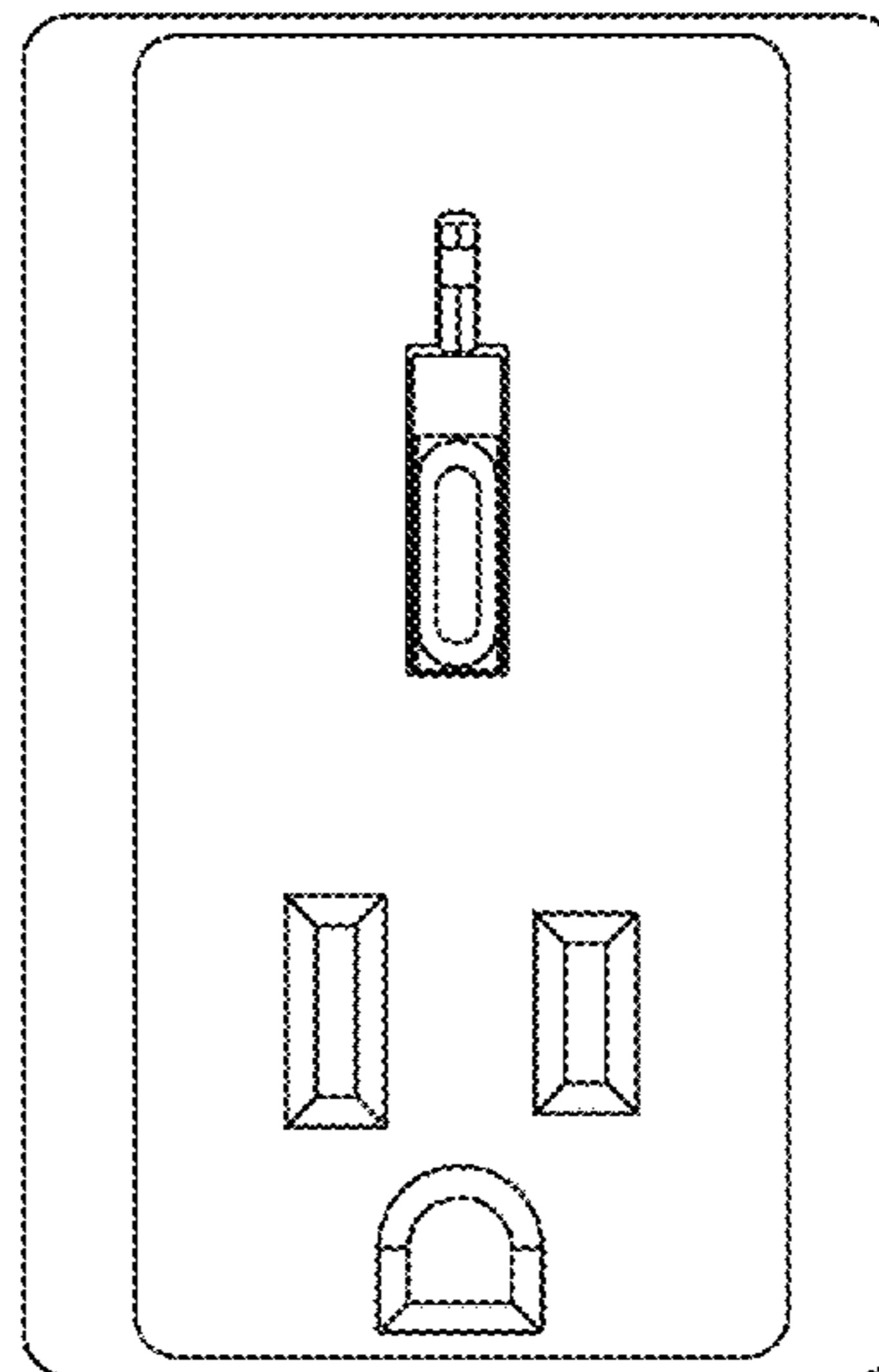
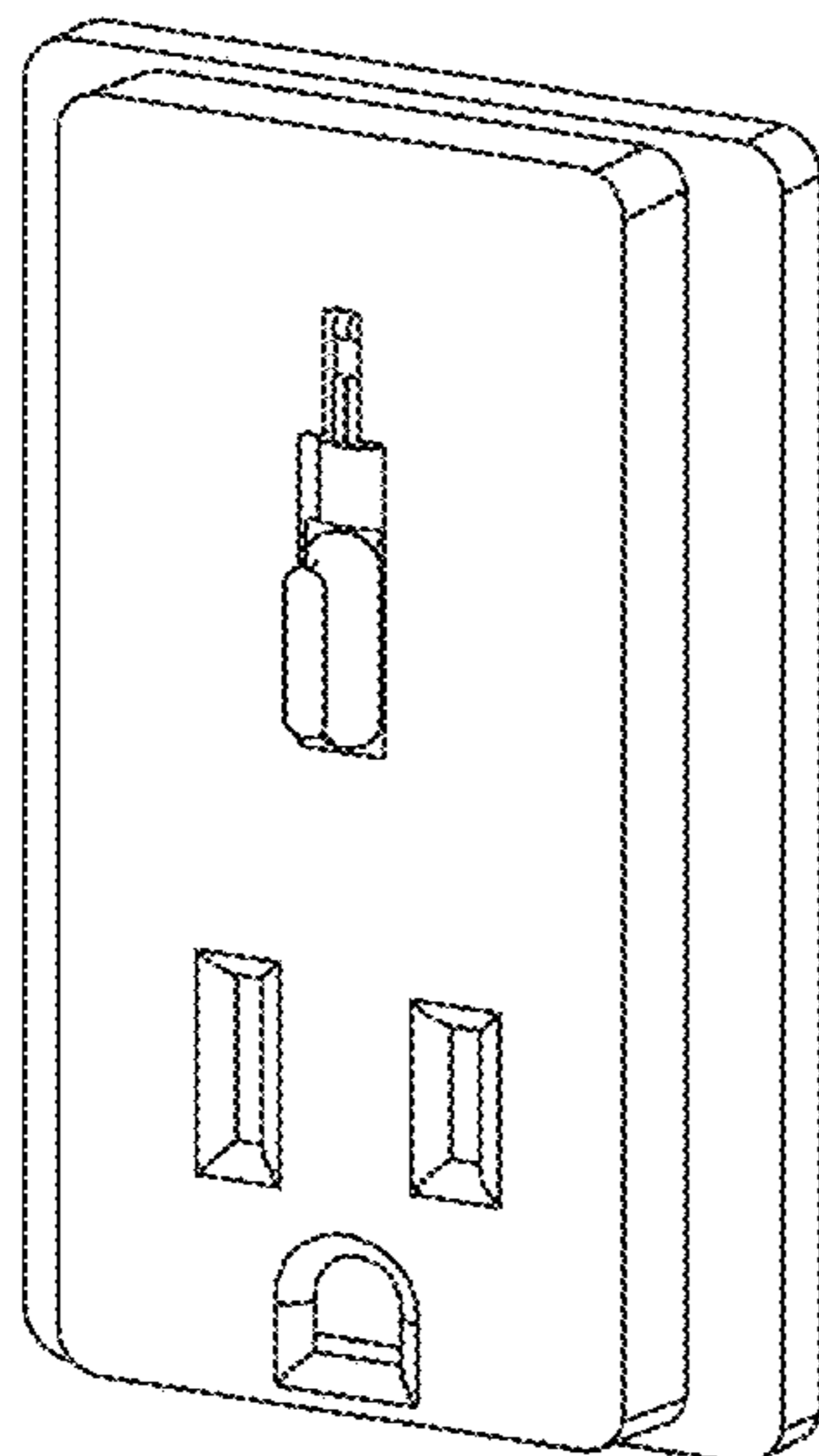
(57) **CLAIM**

The ornamental design for a faceplate with a plug for charging a portable communications device, as shown and described.

DESCRIPTION

FIG. 1 is a front perspective view of a faceplate with a plug for charging a portable communications device;
FIG. 2 is a left side view thereof, the right side being a mirror image;
FIG. 3 is a top view thereof, the bottom view being a mirror image; and,
FIG. 4 is a front elevational view thereof.

1 Claim, 1 Drawing Sheet



(56)

References Cited

U.S. PATENT DOCUMENTS

2013/0244475 A1 * 9/2013 Sayadi H01R 13/72
439/501
2014/0306661 A1 10/2014 Rosenblum et al.

* cited by examiner

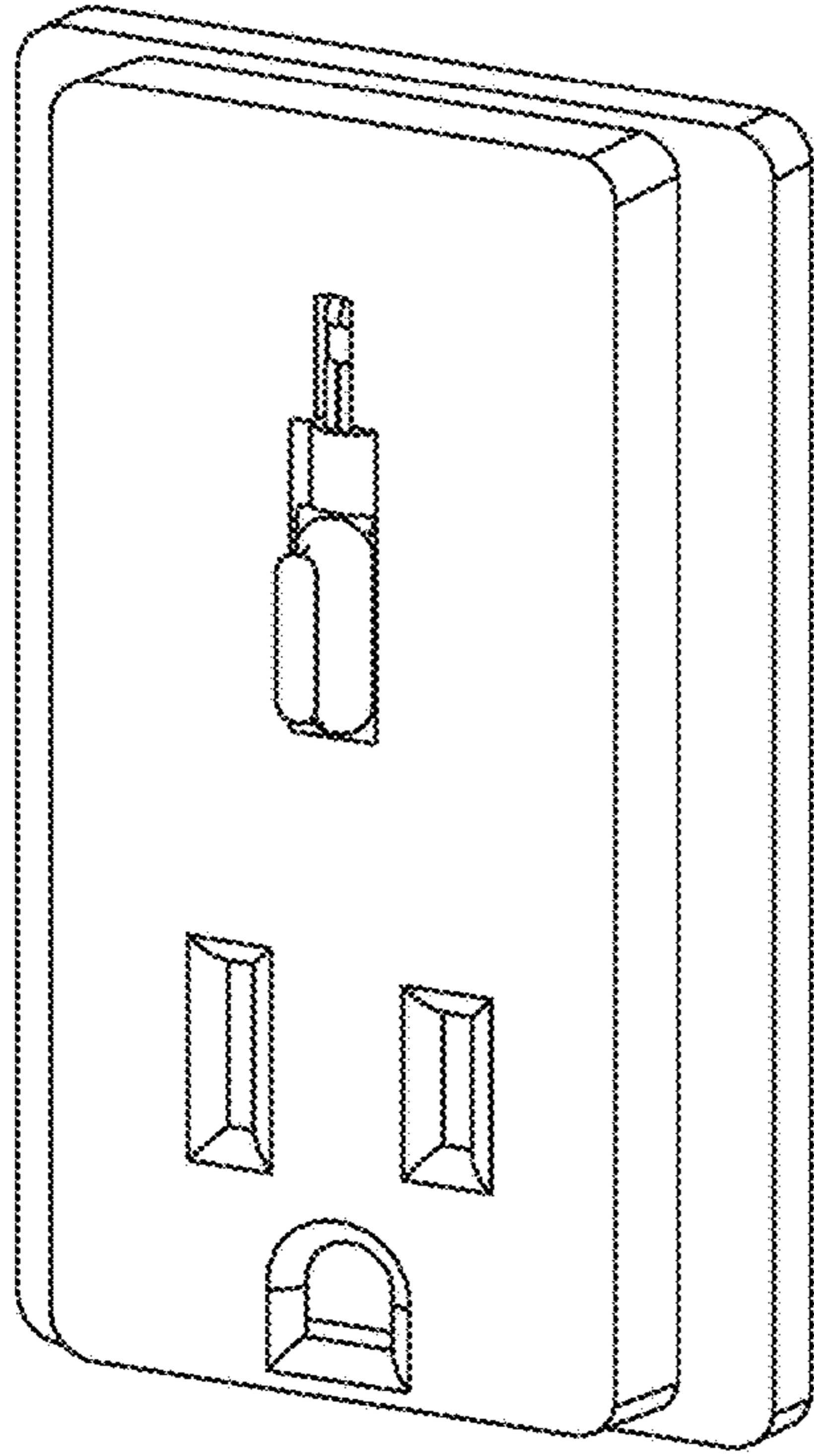


FIG. 1

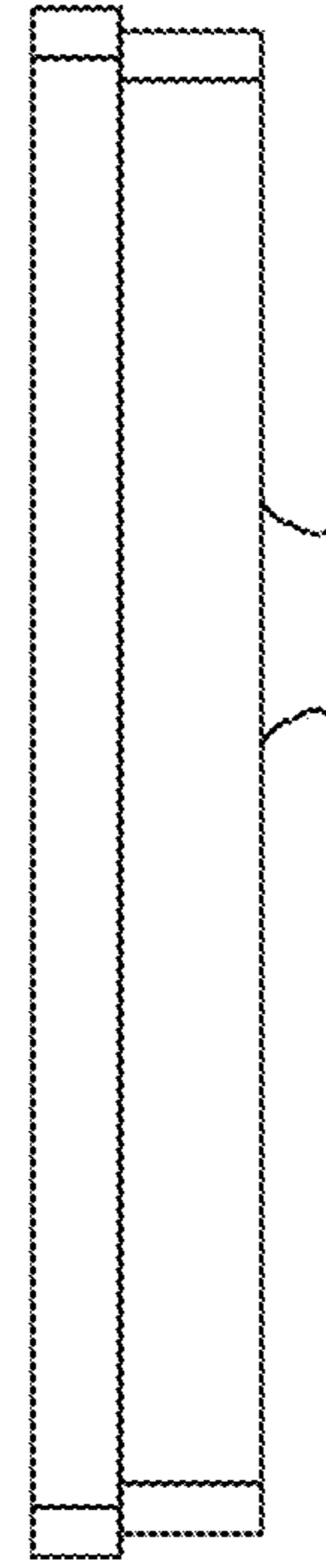


FIG. 2

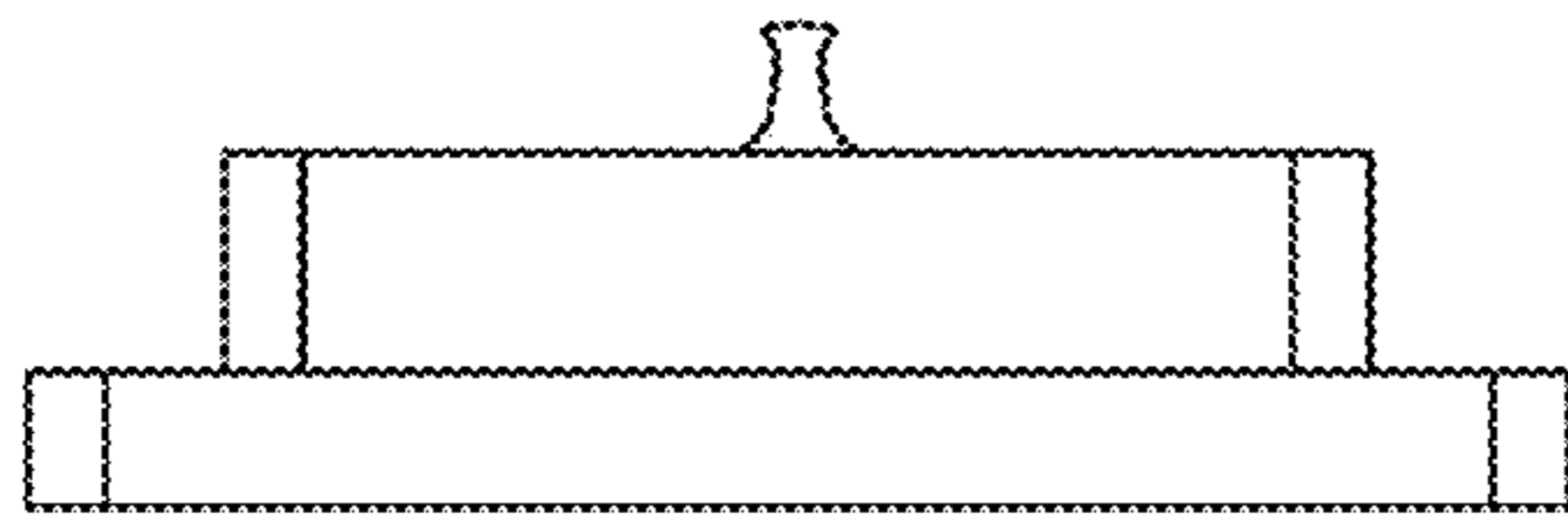


FIG. 3

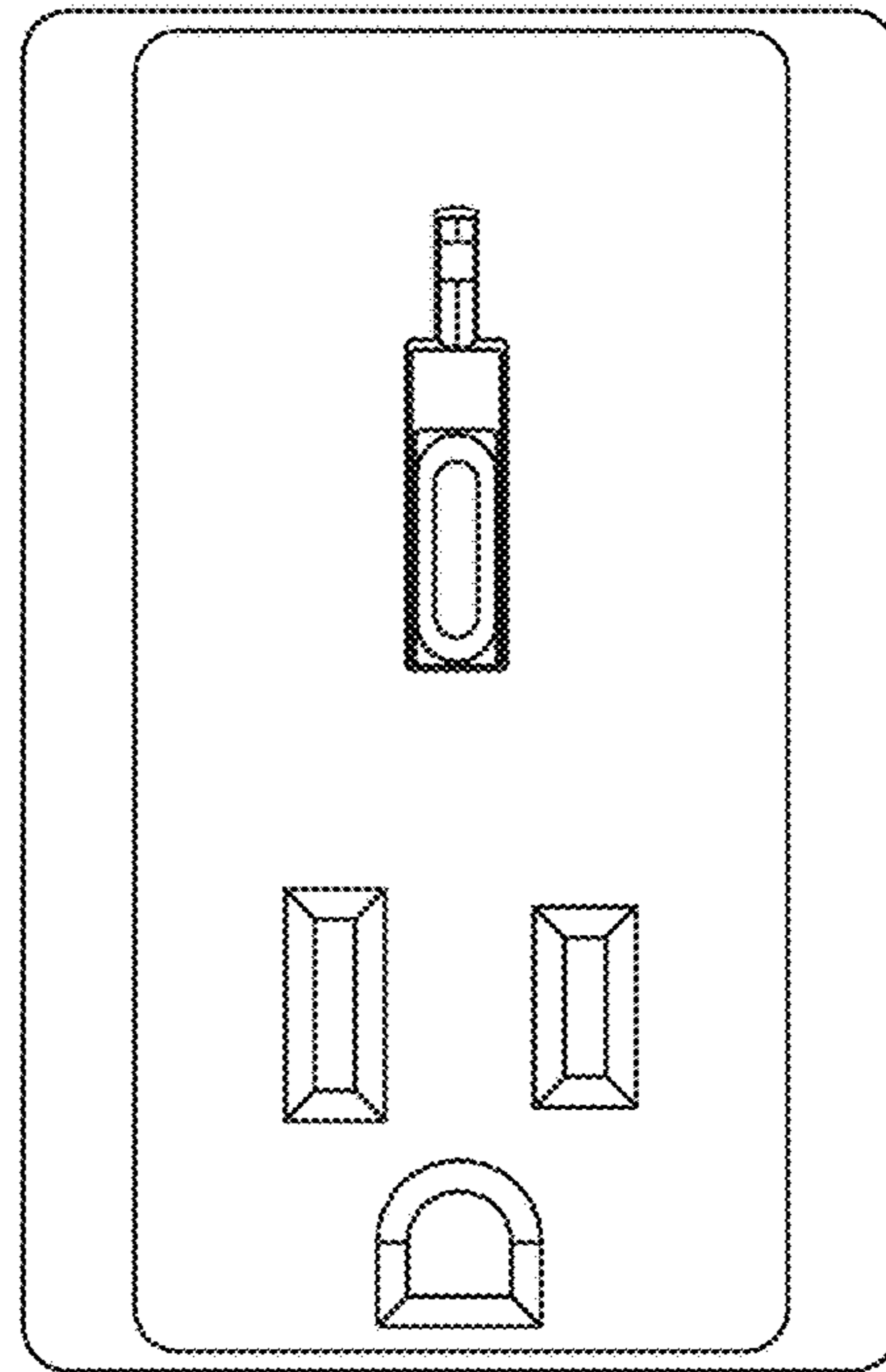


FIG. 4