



US00D807295S

(12) **United States Design Patent**  
**Xu**

(10) **Patent No.:** **US D807,295 S**  
(45) **Date of Patent:** **\*\* Jan. 9, 2018**

(54) **OUTLET ADAPTER**

(71) Applicant: **Guangdong BESTEK E-commerce Co., Ltd.**, Shenzhen (CN)

(72) Inventor: **Xinhua Xu**, Shenzhen (CN)

(73) Assignee: **Guangdong BESTEK E-commerce Co., Ltd.**, Shenzhen (CN)

(\*\*) Term: **15 Years**

(21) Appl. No.: **29/584,757**

(22) Filed: **Nov. 17, 2016**

(51) **LOC (11) Cl.** ..... **13-03**

(52) **U.S. Cl.**  
USPC ..... **D13/137.2**

(58) **Field of Classification Search**  
USPC ..... D13/108-110, 133, 137.1-137.4,  
D13/138.1-138.2, 139.1-139.8, 152-154,  
D13/156, 173, 177, 151, 146, 147, 107;  
D14/433, 435.1, 432; D8/350-353, 331  
CPC .... H01R 25/00; H01R 25/006; H01R 25/003;  
H01R 9/00; H01R 11/00; H01R 13/46;  
H02J 2007/0062  
See application file for complete search history.

(56) **References Cited**

**U.S. PATENT DOCUMENTS**

D432,990 S *	10/2000	Stekelenburg	.....	D13/137.3
D486,450 S *	2/2004	Stekelenburg	.....	D13/137.3
D520,451 S *	5/2006	Stekelenburg	.....	D13/137.3
D561,694 S *	2/2008	Lam	.....	D13/110
D638,355 S *	5/2011	Chen	.....	D13/110
D669,029 S *	10/2012	Huang	.....	D13/110
D713,788 S *	9/2014	Hasegawa	.....	D13/110
D720,290 S *	12/2014	Wu	.....	D13/110
D722,020 S *	2/2015	Benedict	.....	D13/110

D750,022 S *	2/2016	Lin	.....	D13/137.2
D758,312 S *	6/2016	Lin	.....	D13/137.2
D762,572 S *	8/2016	Nazar	.....	D13/108

**OTHER PUBLICATIONS**

Amazon.com: Etekcitey Wireless Remote Control Electrical Outlet Switch. Published Aug. 9, 2012. Retrieved from the internet at <<https://www.amazon.com/Etekcitey-Wireless-Electrical-Household-Appliances/dp/B0087EIDRS>>, Sep. 18, 2017. 1 page\*  
Amazon.com: Ankuoo Neo Smart Plug. Published Sep. 3, 2014. Retrieved from the internet at <<https://www.amazon.com/Ankuoo-Smart-Plug-Wi-Fi-White/dp/B00NAX2GVU/>>, Sep. 18, 2017. 1 page.\*

\* cited by examiner

*Primary Examiner* — Rosemary K Tarcza  
*Assistant Examiner* — Christy Nemeth

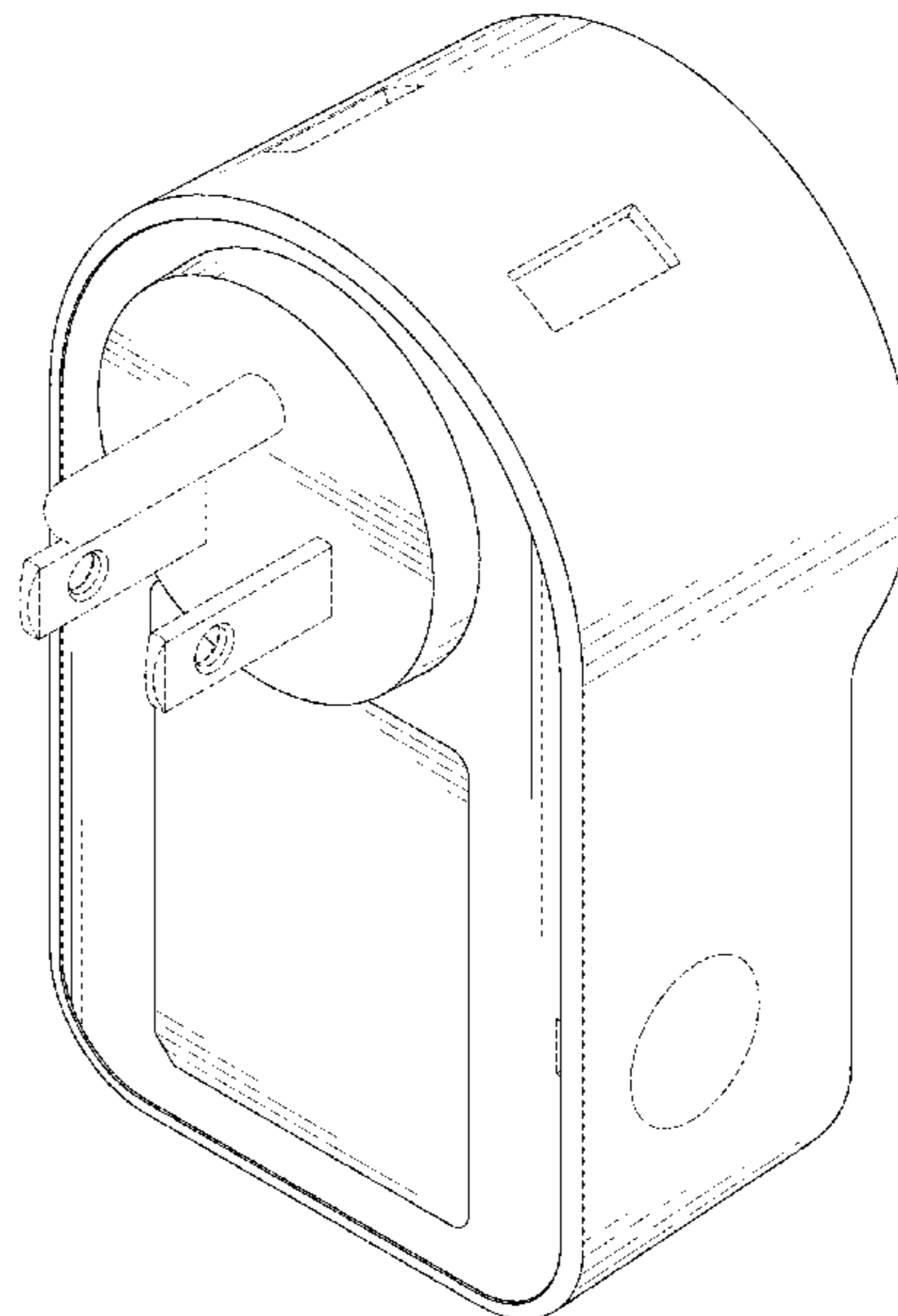
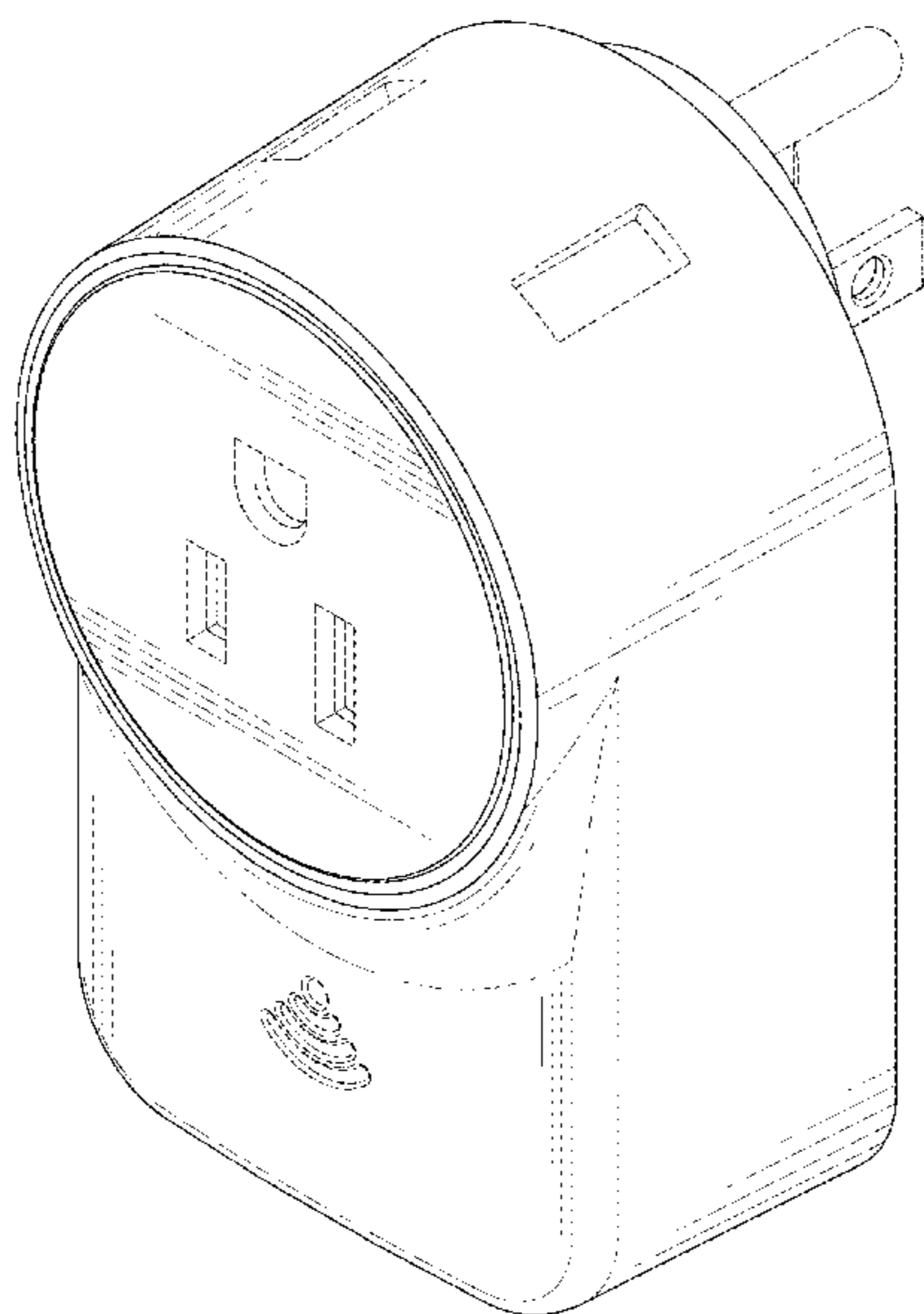
(57) **CLAIM**

The ornamental design for a outlet adapter, as shown and described.

**DESCRIPTION**

FIG. 1 is a front perspective view of an outlet adapter showing my new design;  
FIG. 2 is a rear perspective view thereof;  
FIG. 3 is a front elevational view thereof;  
FIG. 4 is a rear elevational view thereof;  
FIG. 5 is a left side elevational view thereof;  
FIG. 6 is a right side elevational view thereof;  
FIG. 7 is a top plan view thereof; and,  
FIG. 8 is a bottom plan view thereof.  
The broken lines in the drawings are for the purpose of illustrating portions of the outlet adapter that form no part of the claimed design.

**1 Claim, 8 Drawing Sheets**



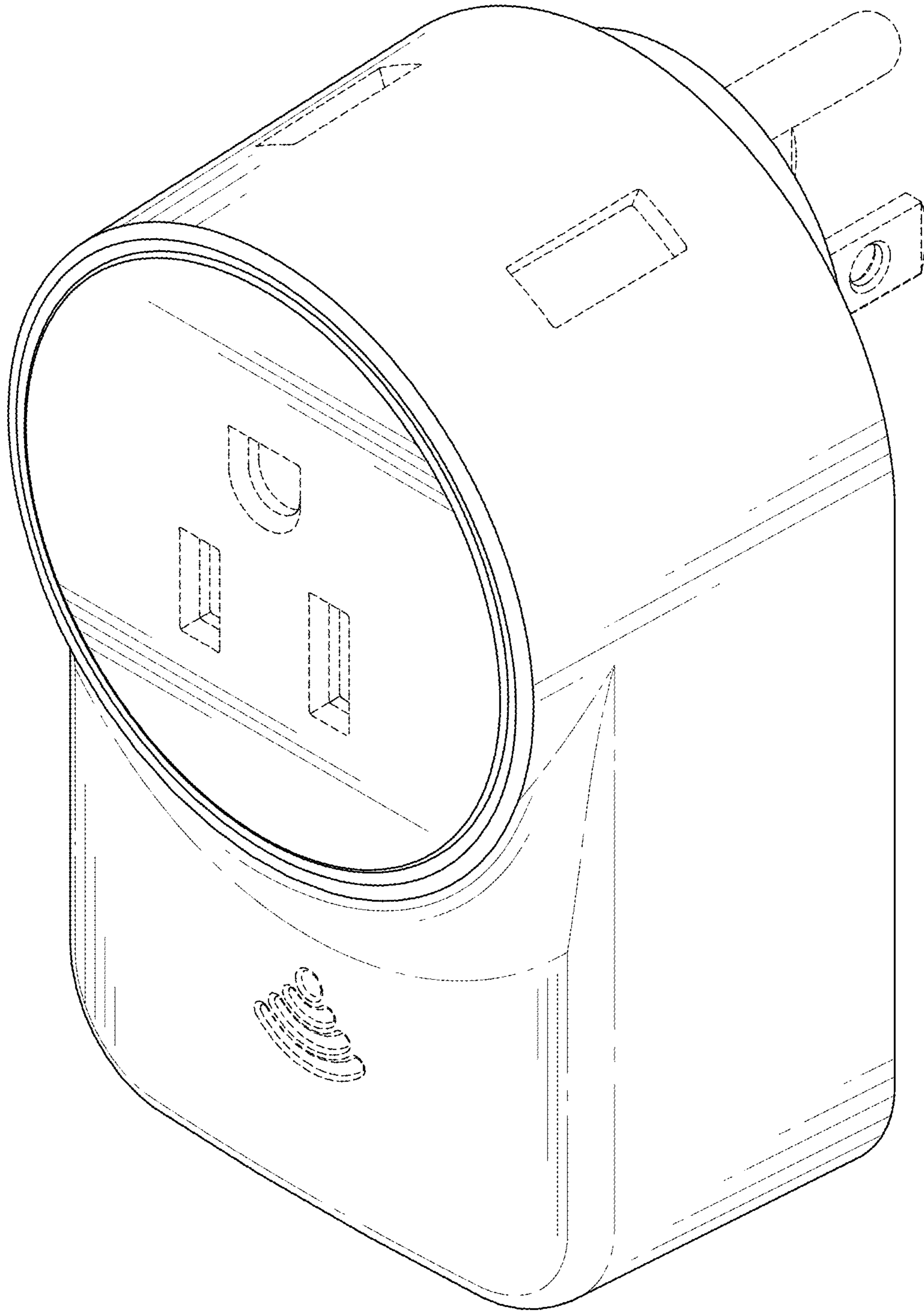


FIG. 1

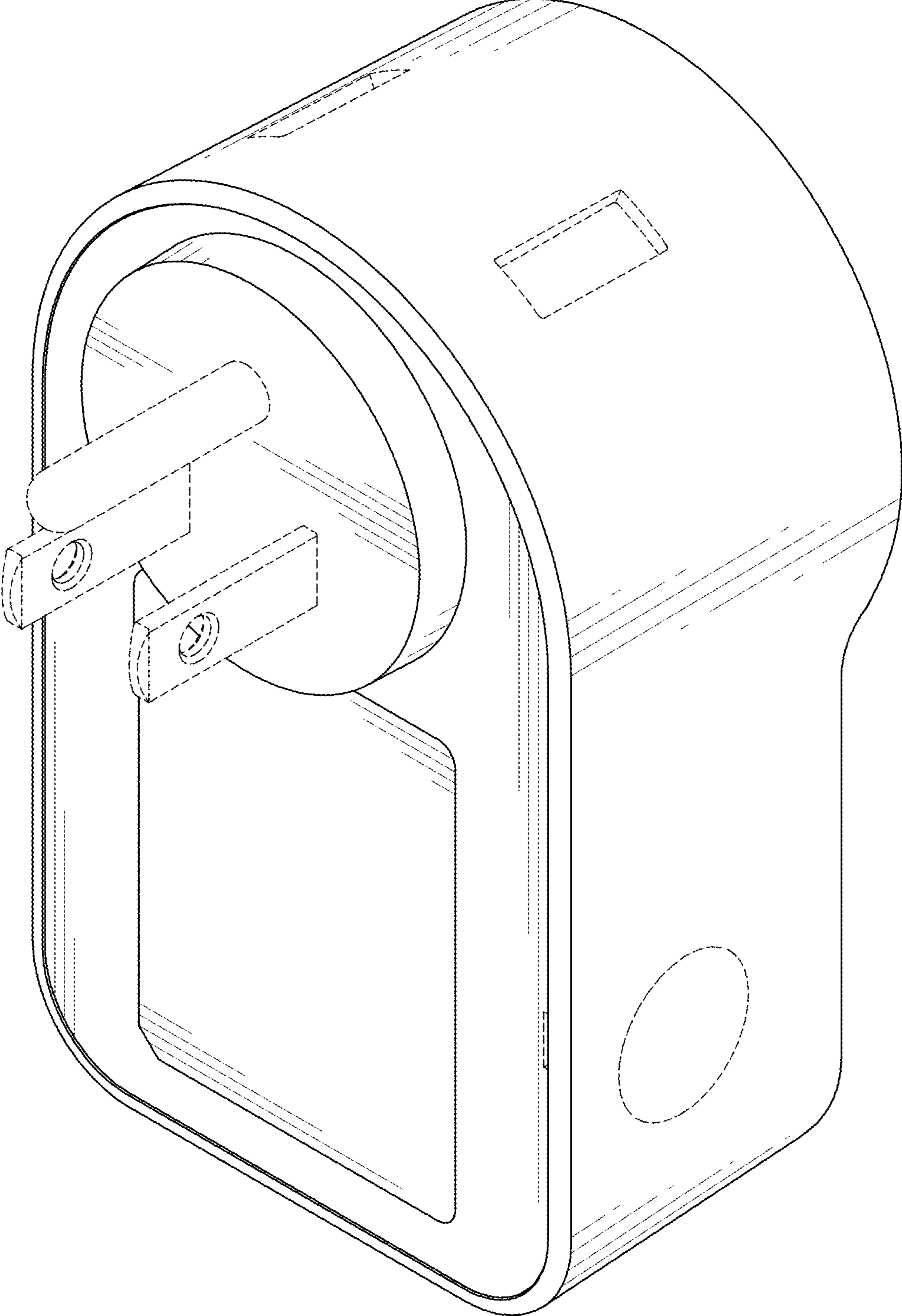


FIG. 2

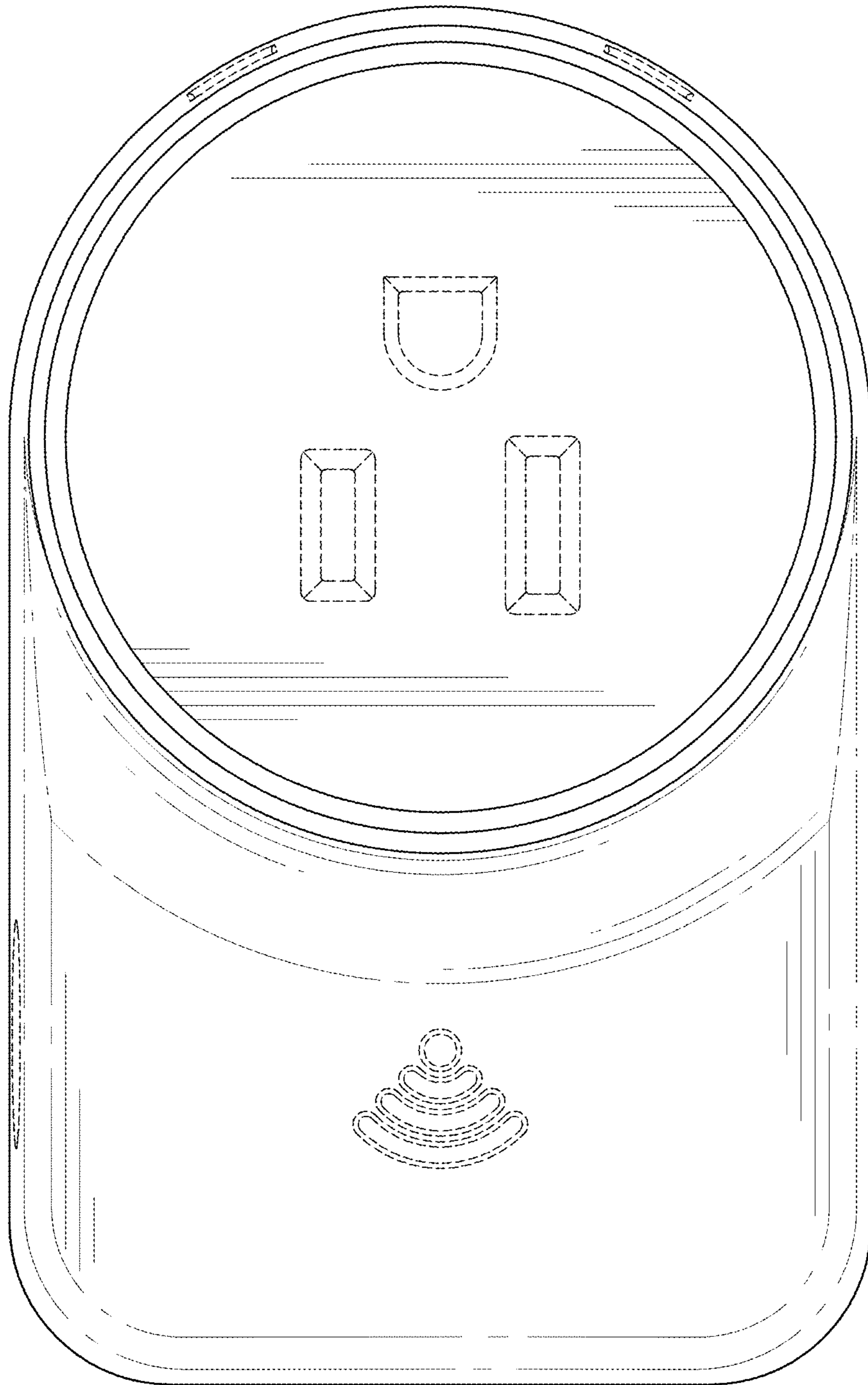


FIG. 3

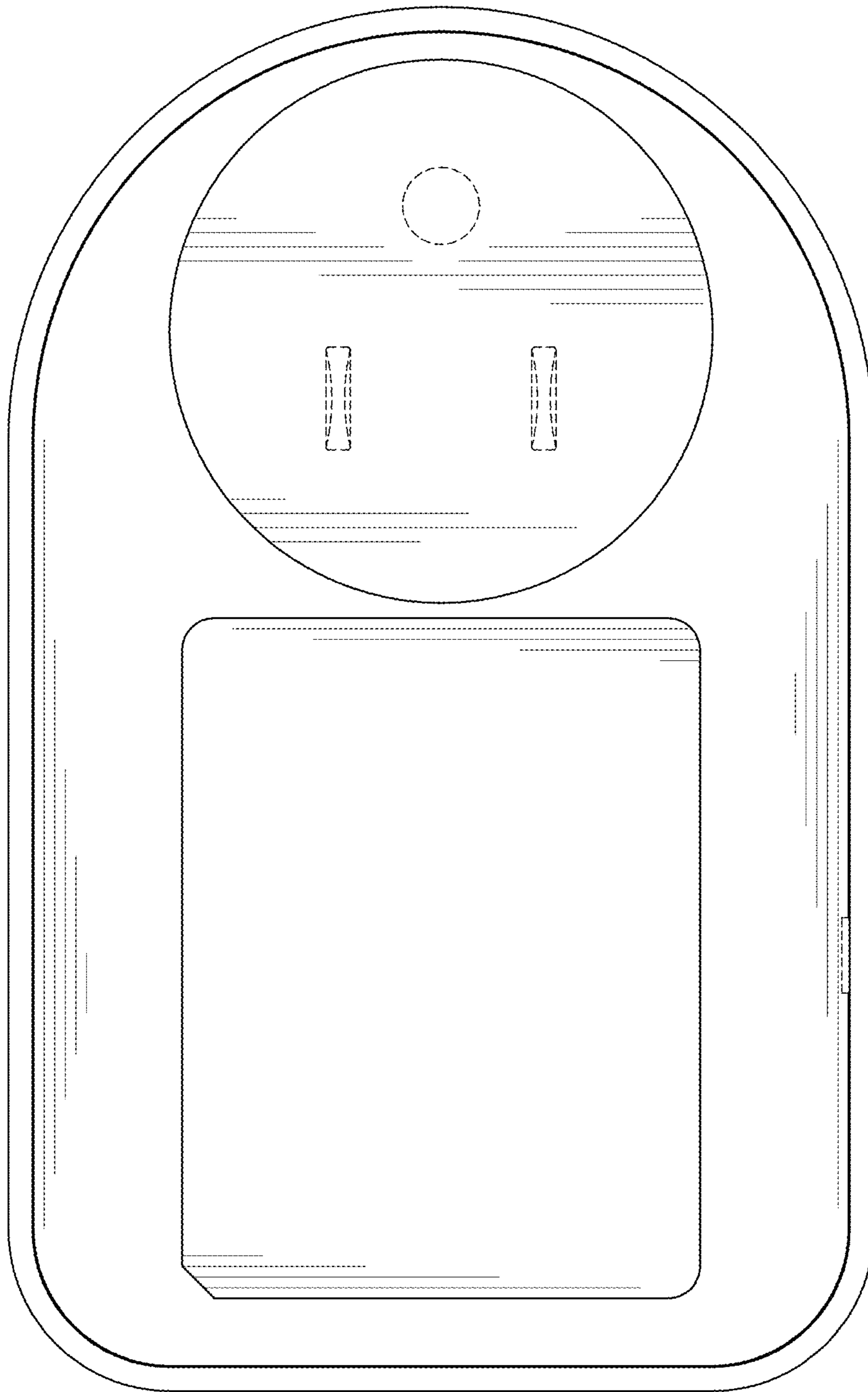


FIG. 4

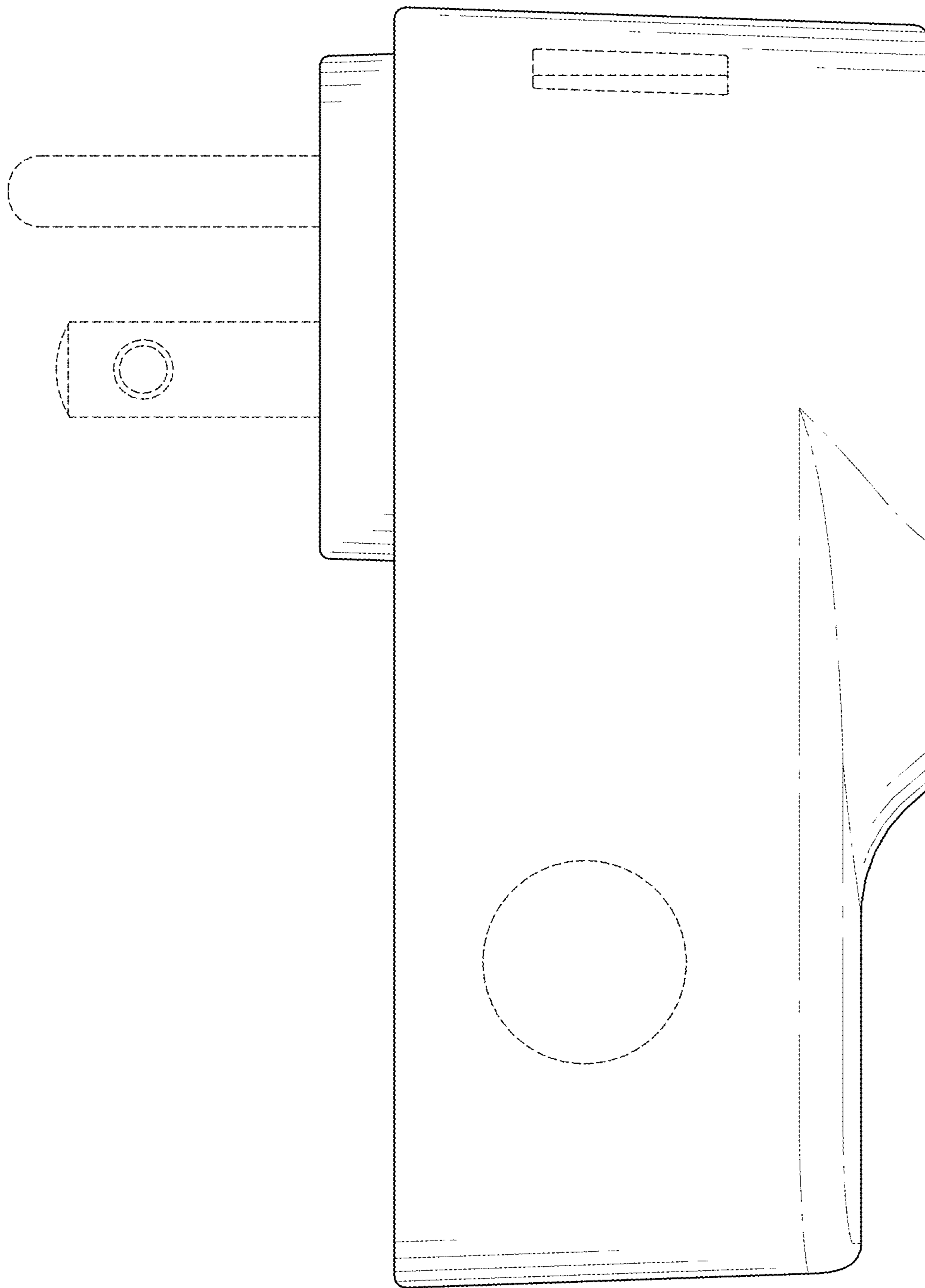


FIG. 5

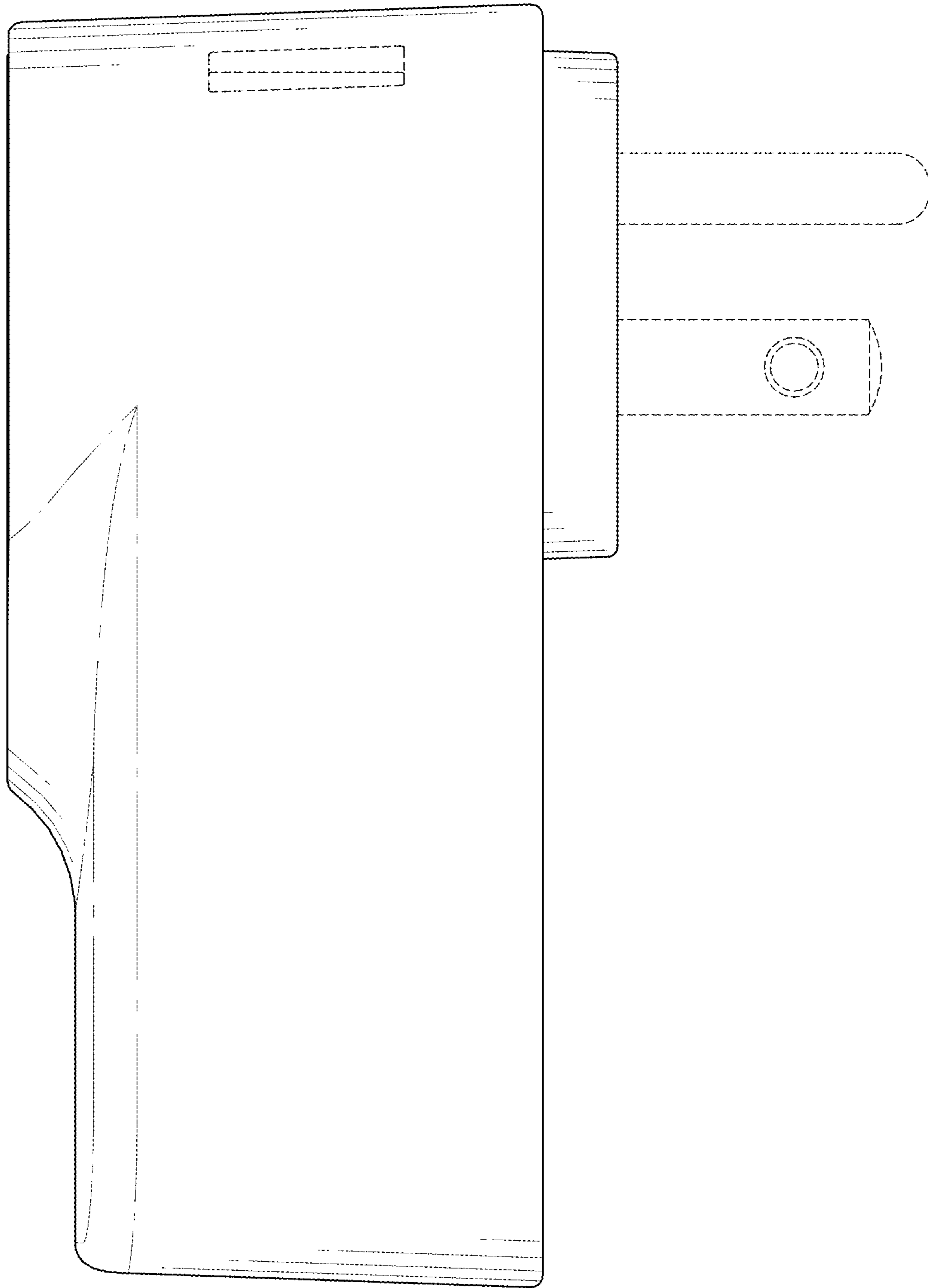


FIG. 6

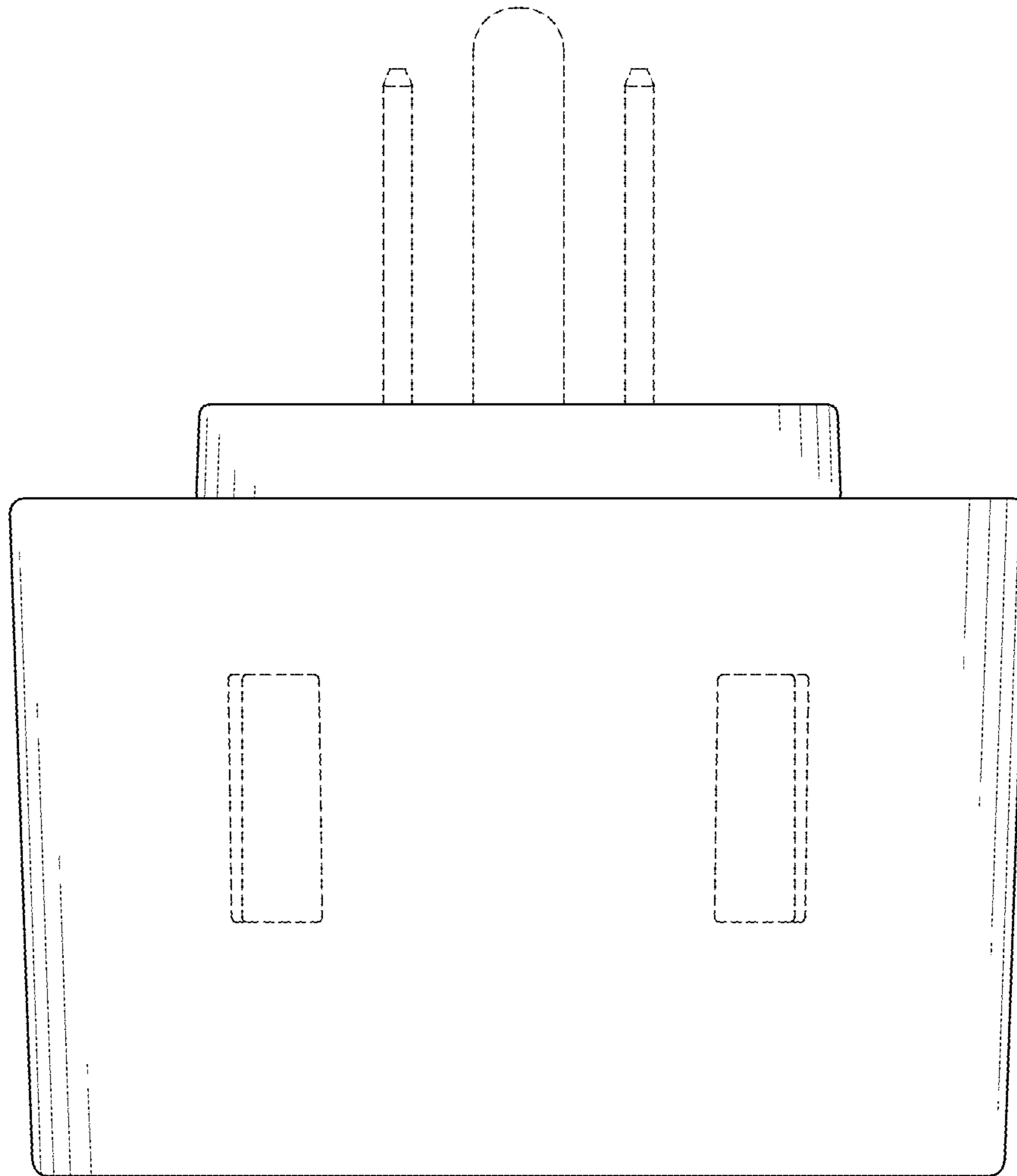


FIG. 7



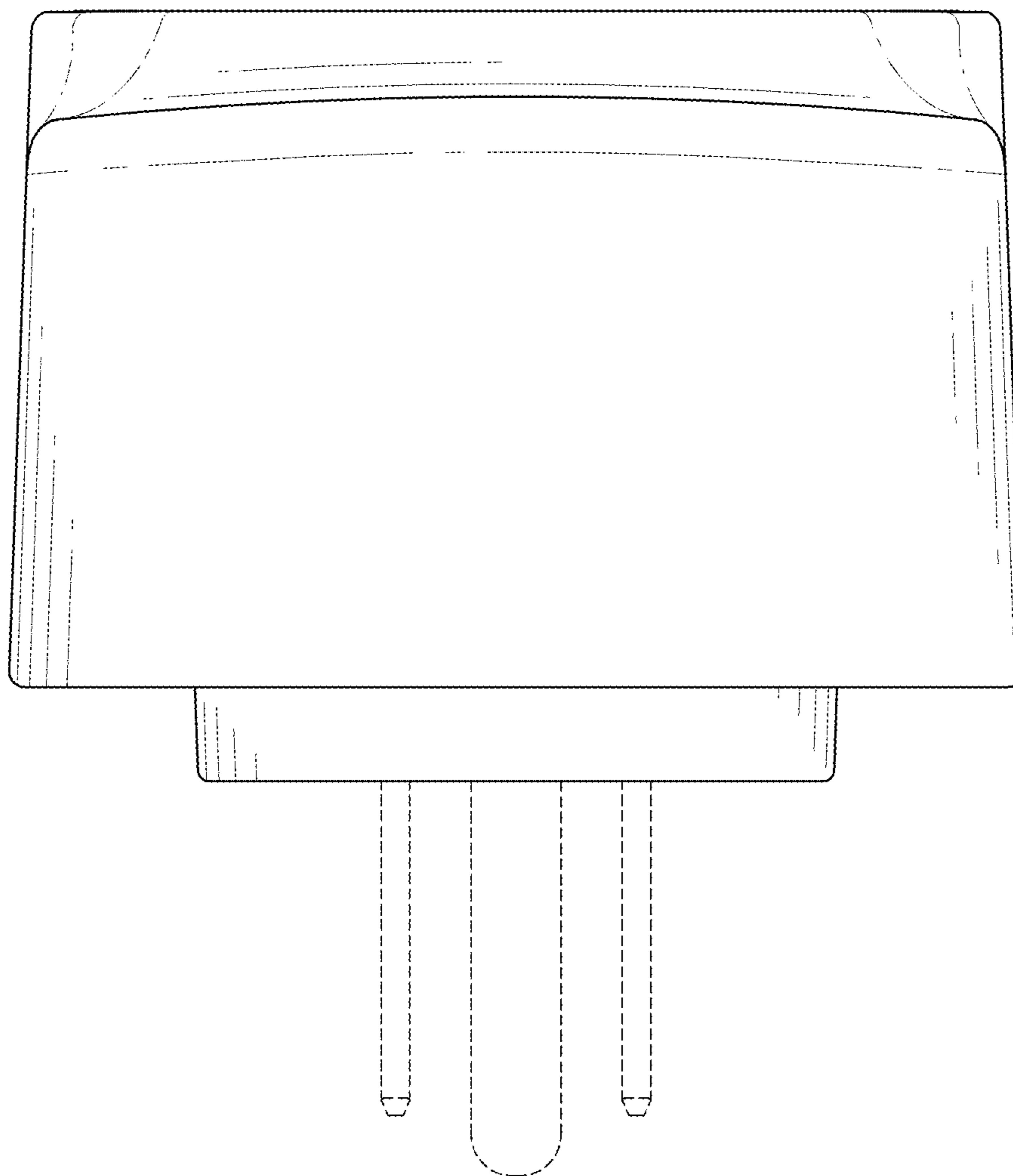


FIG. 8