



US00D807293S

(12) **United States Design Patent**
Schafmeister

(10) **Patent No.:** **US D807,293 S**
(45) **Date of Patent:** **** Jan. 9, 2018**

(54) **CONTACT FOR ELECTRICAL CONNECTOR**

(71) Applicant: **Phoenix Contact GmbH & Co. KG,**
Blomberg (DE)

(72) Inventor: **Arndt Schafmeister,** Doerentrup (DE)

(73) Assignee: **PHOENIX CONTACT GMBH & CO.**
KG, Blomberg (DE)

(**) Term: **15 Years**

(21) Appl. No.: **29/581,547**

(22) Filed: **Oct. 20, 2016**

(30) **Foreign Application Priority Data**

Apr. 25, 2016 (DE) 40 2016 100 536

(51) **LOC (11) Cl.** **13-03**

(52) **U.S. Cl.**
USPC **D13/133; D13/154**

(58) **Field of Classification Search**
USPC D13/101, 110, 118, 120, 123, 133, 134,
D13/146-149, 152-154, 173, 175, 177,
D13/178, 184, 199
CPC . H01R 4/028; H01R 4/24; H01R 4/48; H01R
9/24; H01R 12/00; H01R 12/79; H01R
13/00; H01R 13/02; H01R 13/11; H01R
13/40; H01R 13/533; H01R 24/00; H01R
24/04; H01R 24/20; H01R 24/28

See application file for complete search history.

(56) **References Cited**

U.S. PATENT DOCUMENTS

4,583,812 A * 4/1986 Gross, Jr. H01R 13/18
439/839
4,776,651 A * 10/1988 Paulo H01R 12/585
439/851
5,007,865 A * 4/1991 Jakobeit H01R 13/18
439/839

5,183,421 A * 2/1993 Yin H01R 13/112
439/857
5,266,056 A * 11/1993 Baderschneider ... H01R 13/424
439/745
6,402,571 B1 * 6/2002 Muller H01R 13/18
439/745
D464,323 S * 10/2002 Harasawa D13/133
6,634,911 B1 * 10/2003 Billman H01R 12/716
439/637
D494,545 S * 8/2004 Kuroda D13/154
D516,039 S * 2/2006 Lei D13/154
D560,615 S * 1/2008 Kondas D13/149
7,744,431 B2 * 6/2010 Trout H01R 13/112
439/733.1
D668,621 S * 10/2012 Gieski D13/154
2001/0004568 A1 * 6/2001 Kikuchi H01R 13/112
439/857
2001/0034167 A1 * 10/2001 Ketelsleger H01R 13/11
439/851
2002/0160666 A1 * 10/2002 Sato H01R 4/48
439/773

(Continued)

Primary Examiner — Thomas Johannes

Assistant Examiner — Shawn T Gingrich

(74) *Attorney, Agent, or Firm* — Leydig, Voit & Mayer,
Ltd.

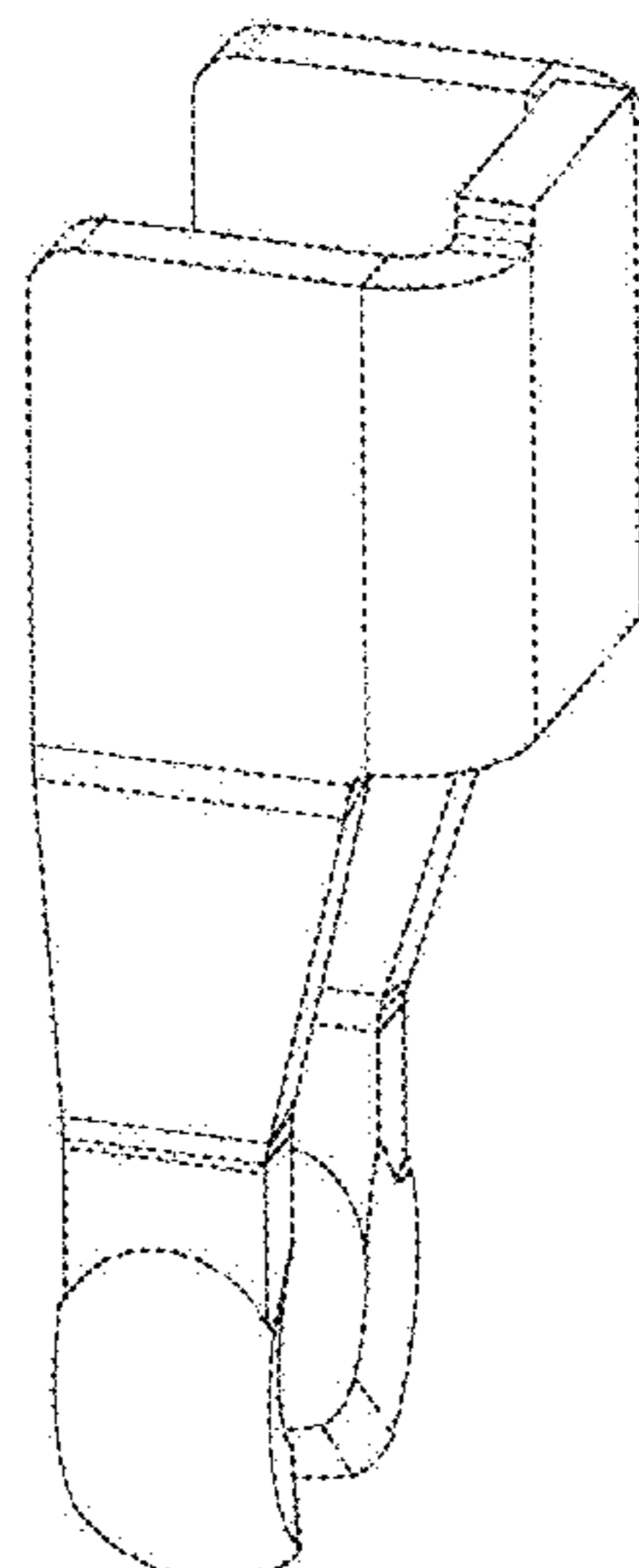
(57) **CLAIM**

The ornamental design for a contact for electrical connector,
as shown and described.

DESCRIPTION

FIG. 1 is a top right front perspective view of the contact for
electrical connector showing my new design;
FIG. 2 is a front elevational view thereof;
FIG. 3 is an enlarged top plan view thereof;
FIG. 4 is an enlarged bottom plan view thereof;
FIG. 5 is a rear elevational view thereof;
FIG. 6 is a left side elevational view thereof; and,
FIG. 7 is a right side elevational view thereof.

1 Claim, 7 Drawing Sheets



(56)

References Cited

U.S. PATENT DOCUMENTS

2003/0171040	A1 *	9/2003	Lei	H01R 13/193 439/752.5
2003/0186576	A1 *	10/2003	Lin	H01R 13/112 439/342
2004/0102106	A1 *	5/2004	Okita	H01R 13/193 439/884
2009/0088016	A1 *	4/2009	Liao	H05K 3/3426 439/357
2013/0078874	A1 *	3/2013	Itou	H01R 13/20 439/852
2013/0090025	A1 *	4/2013	Trout	H01R 4/028 439/884
2016/0006192	A1 *	1/2016	Leibold	H01R 12/724 439/660

* cited by examiner

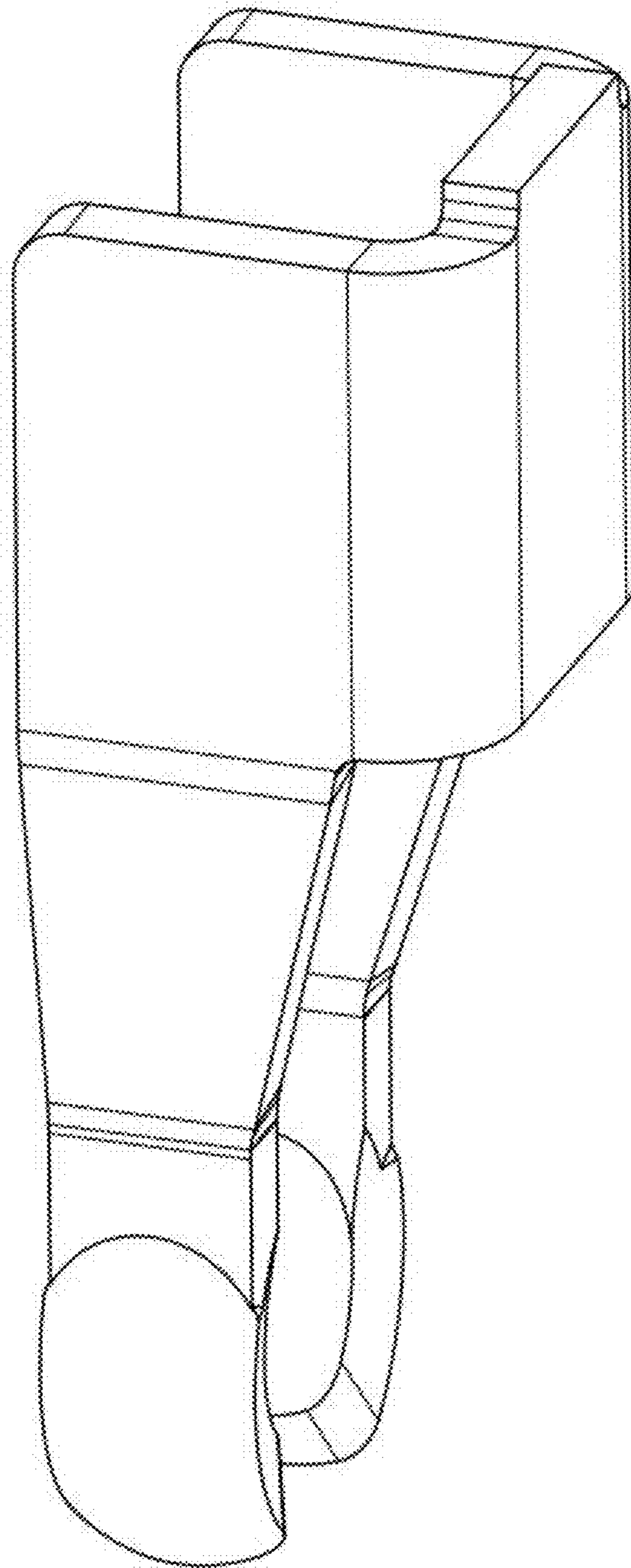


Fig. 1

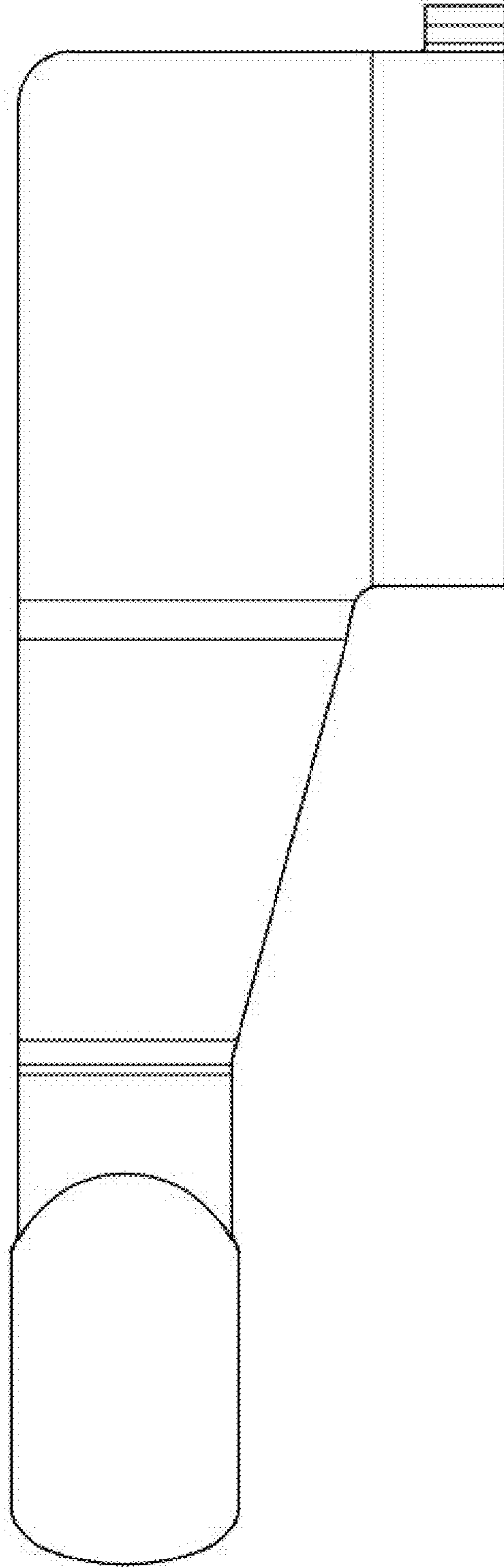


Fig. 2

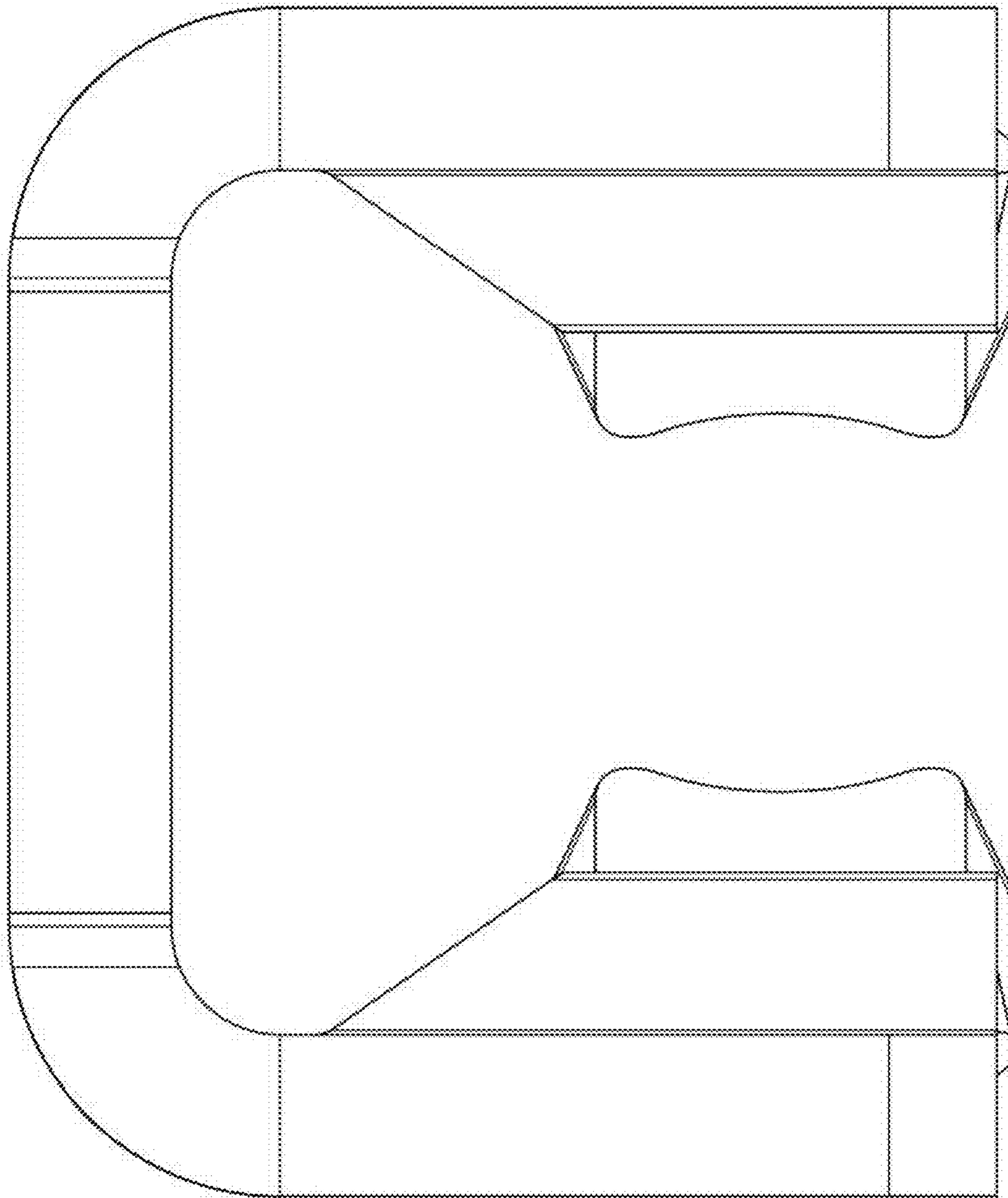


Fig. 3

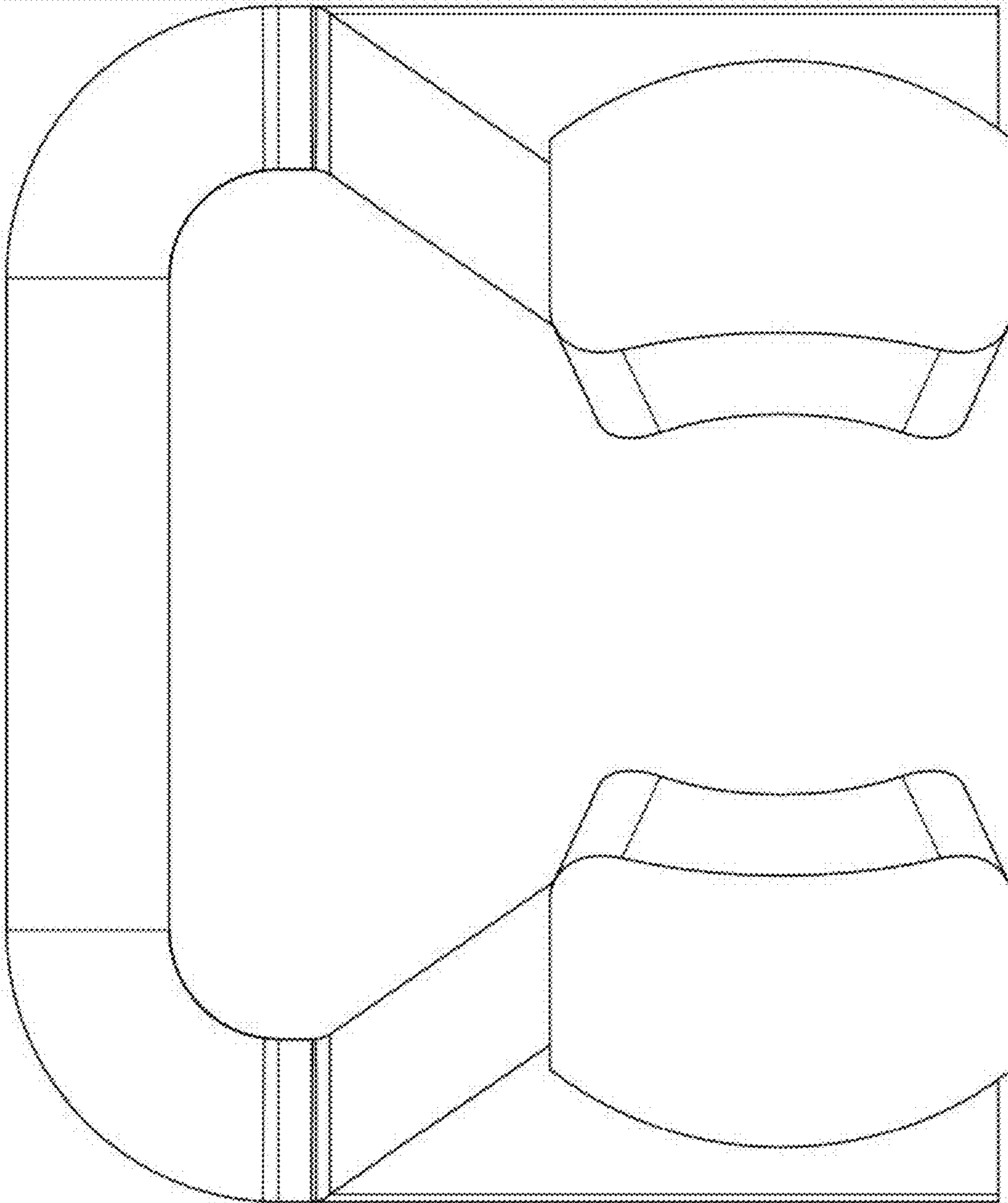


Fig. 4

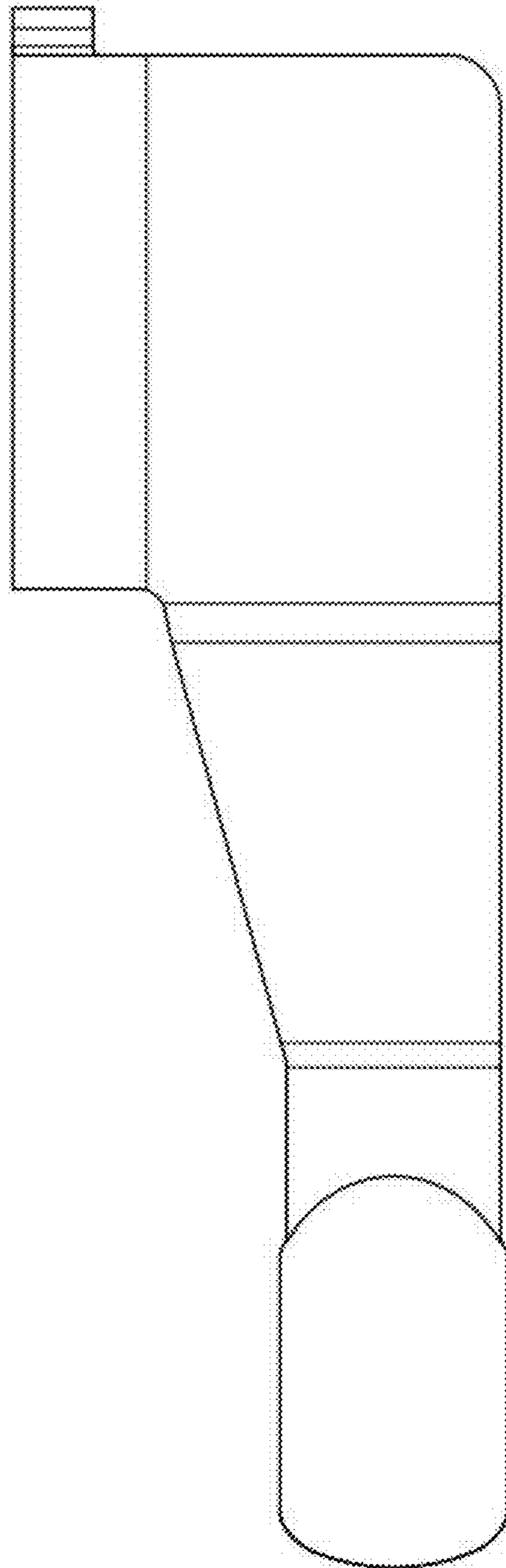


Fig. 5

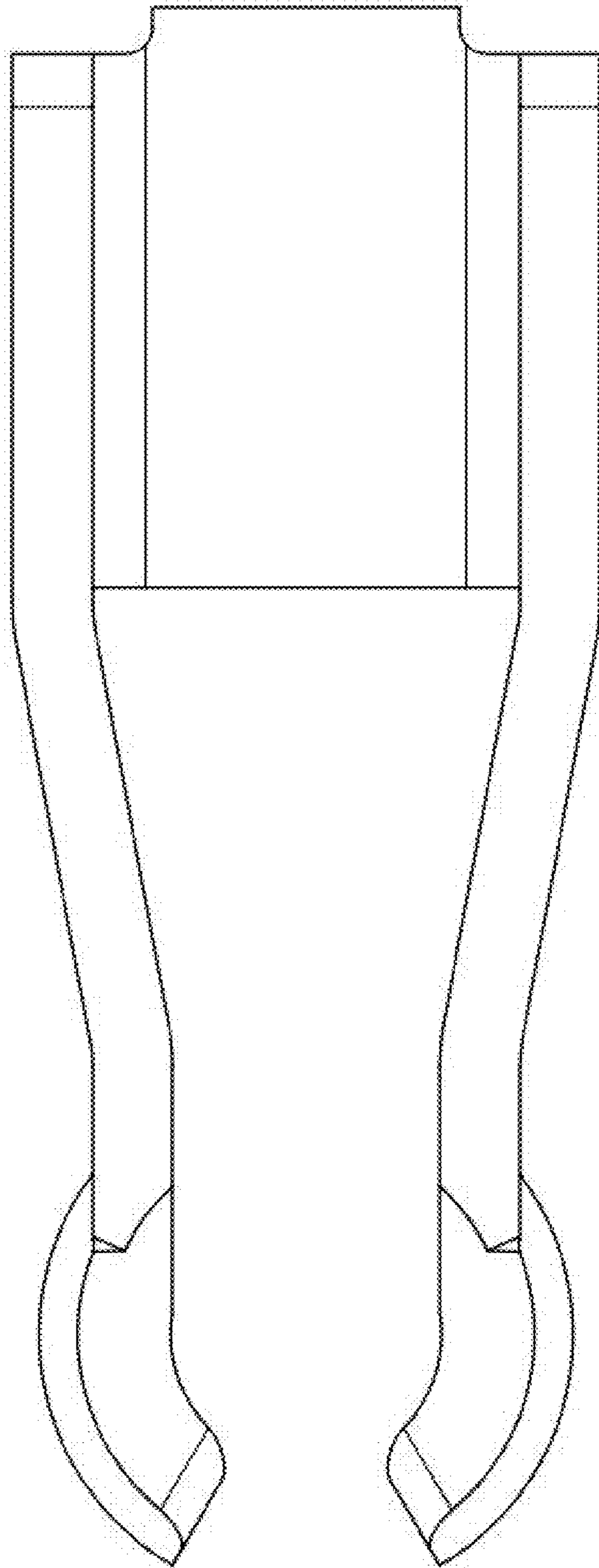


Fig. 6

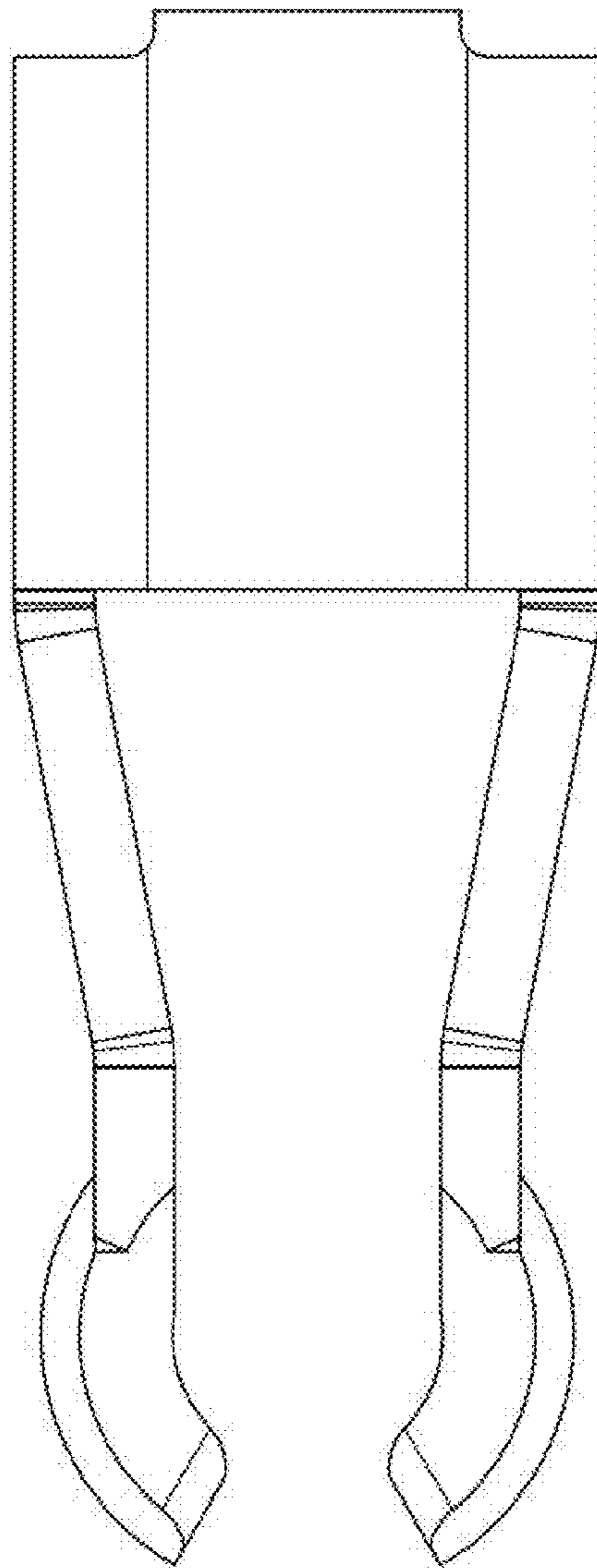


Fig. 7