



US00D807291S

(12) **United States Design Patent** (10) **Patent No.:** **US D807,291 S**  
**Juds et al.** (45) **Date of Patent:** **\*\* Jan. 9, 2018**

(54) **BATTERY VENT ADAPTER**

(56) **References Cited**

(71) Applicant: **Johnson Controls Technology Company**, Holland, MI (US)  
(72) Inventors: **Jeffrey H. Juds**, Waukesha, WI (US); **Joseph E. Liedhegner**, Wauwatosa, WI (US)  
(73) Assignee: **Johnson Controls Technology Company**, Milwaukee, WI (US)  
(\*\*) Term: **15 Years**

U.S. PATENT DOCUMENTS

D250,531 S *	12/1978	Demetreon .....	D13/120
D290,597 S *	6/1987	Sherman .....	D13/120
4,740,178 A *	4/1988	Badenhorst .....	H01R 11/287 439/142
D316,398 S *	4/1991	Hill .....	D13/120
5,620,338 A *	4/1997	Stephens .....	H01R 11/281 439/522
D380,730 S *	7/1997	Green .....	D13/120
D485,235 S *	1/2004	Liang .....	D13/120
6,932,650 B1 *	8/2005	Freitag .....	H01R 11/287 337/188

(21) Appl. No.: **29/591,068**

\* cited by examiner

(22) Filed: **Jan. 16, 2017**

*Primary Examiner* — Derrick Holland

**Related U.S. Application Data**

(74) *Attorney, Agent, or Firm* — Fletcher Yoder P.C.

(60) Continuation of application No. 29/564,421, filed on May 12, 2016, now Pat. No. Des. 779,427, which is a division of application No. 29/497,629, filed on Jul. 25, 2014, now Pat. No. Des. 760,650, which is a continuation-in-part of application No. 14/337,479, filed on Jul. 22, 2014.

(57) **CLAIM**

We claim the ornamental design for a battery vent adapter, as shown and described.

(51) **LOC (11) Cl.** ..... **13-02**

**DESCRIPTION**

(52) **U.S. Cl.** ..... **D13/110; D13/120**

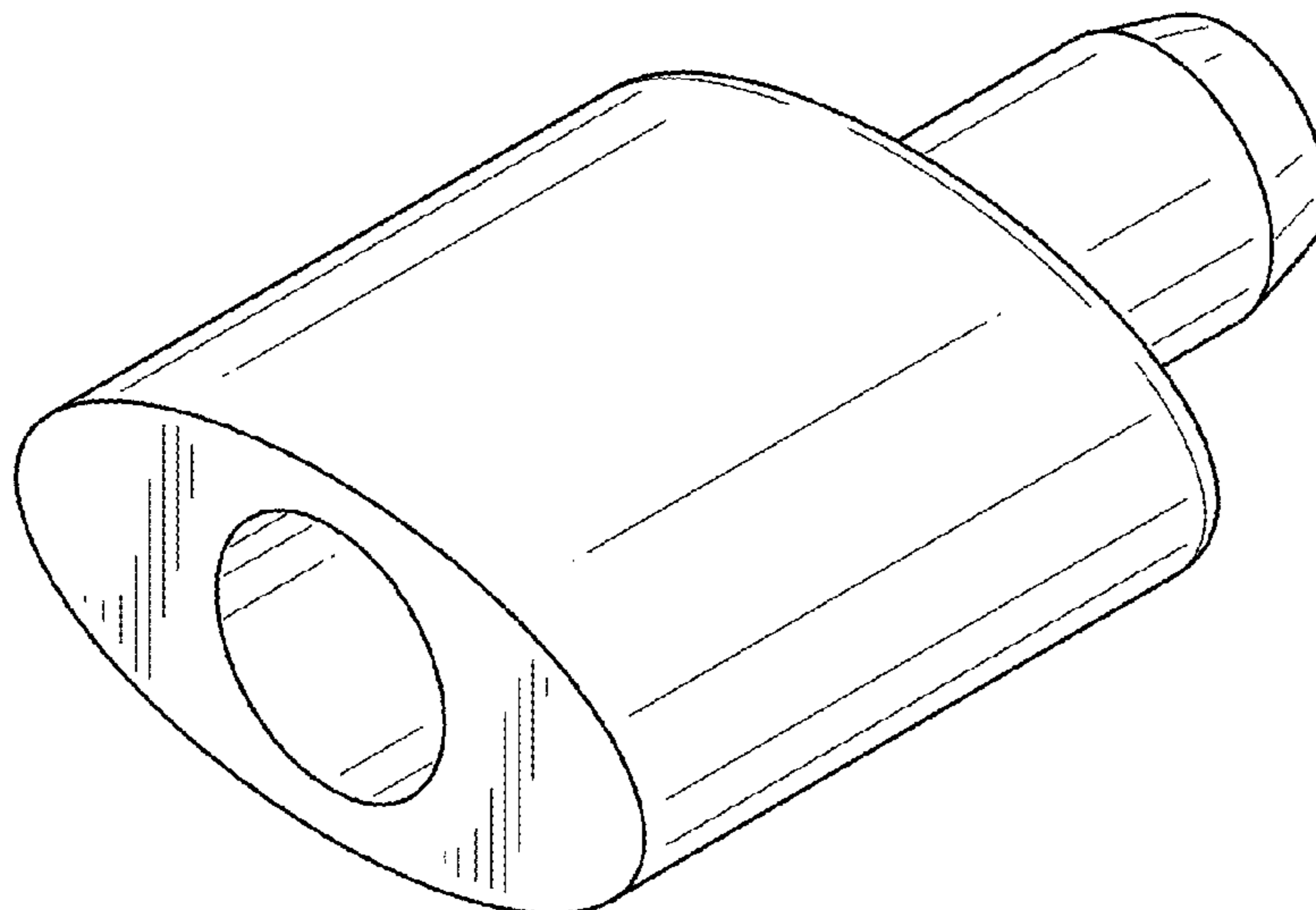
(58) **Field of Classification Search**

USPC ..... D13/101, 110, 119, 120, 184, 199; D15/199; 439/620.26, 754, 761, 763, 764  
CPC ..... H01R 11/00; H01R 11/28; H01R 11/32; H01R 11/281; H01R 11/284; H01R 11/286; H01R 11/287; H01R 13/68; H01R 13/115; H01R 31/02; Y10S 439/907

FIG. 1 is a perspective view of a battery vent adapter showing our new design;  
FIG. 2 is a top view thereof, the bottom view being a mirror image;  
FIG. 3 is a right side elevation view thereof, the left side being a mirror image;  
FIG. 4 is a front elevation view thereof; and,  
FIG. 5 is a back elevation view thereof.

See application file for complete search history.

**1 Claim, 2 Drawing Sheets**



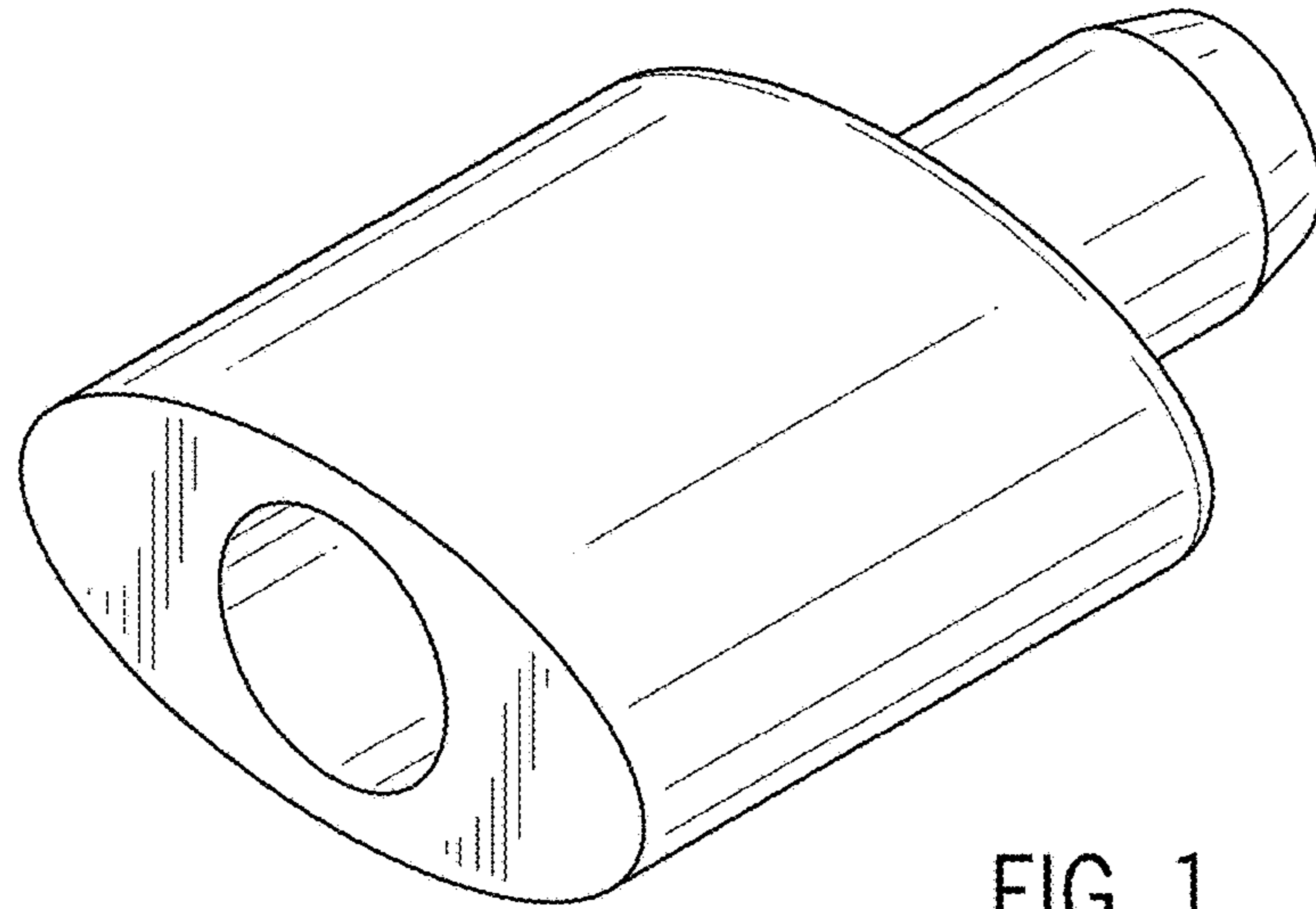


FIG. 1

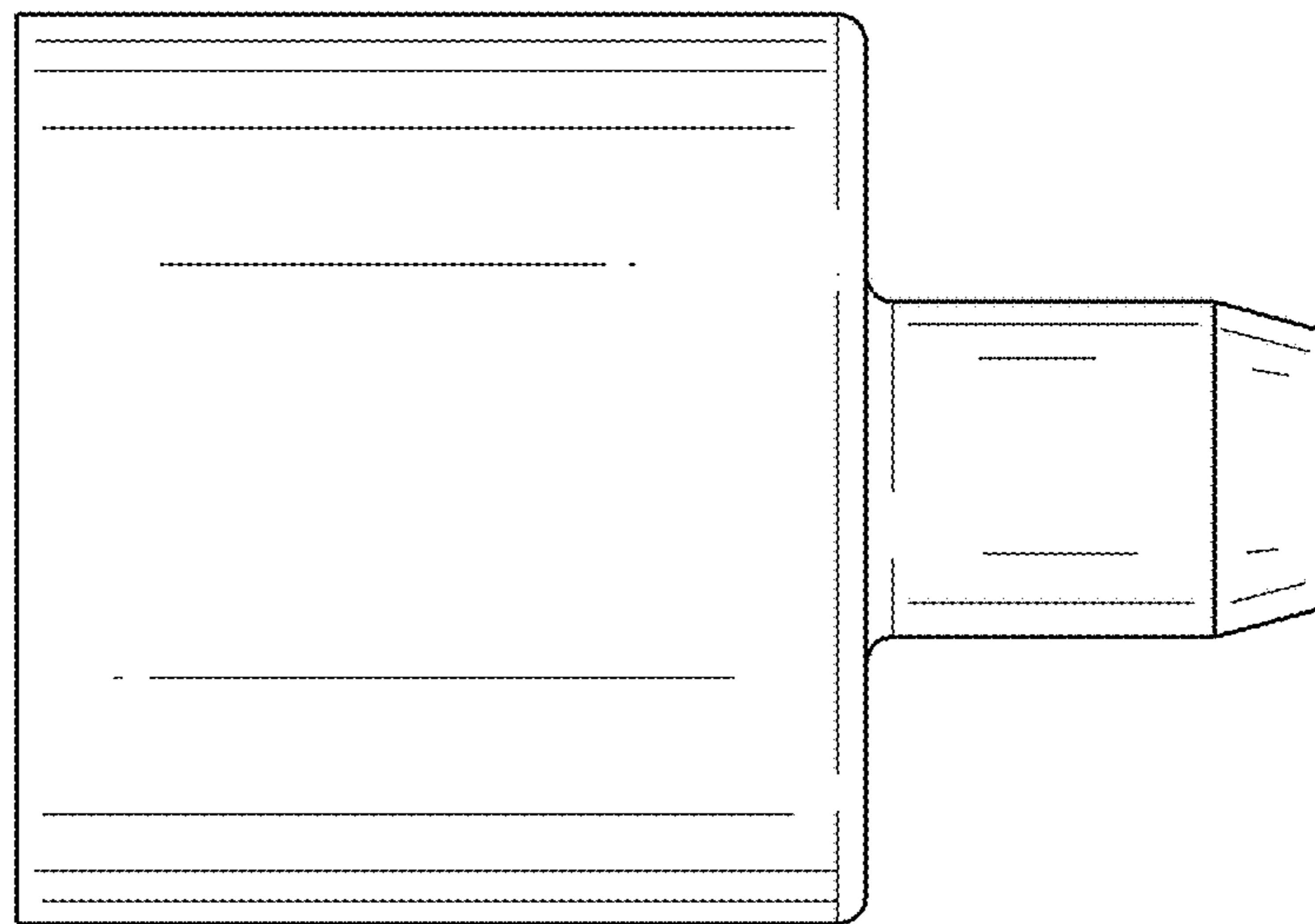


FIG. 2

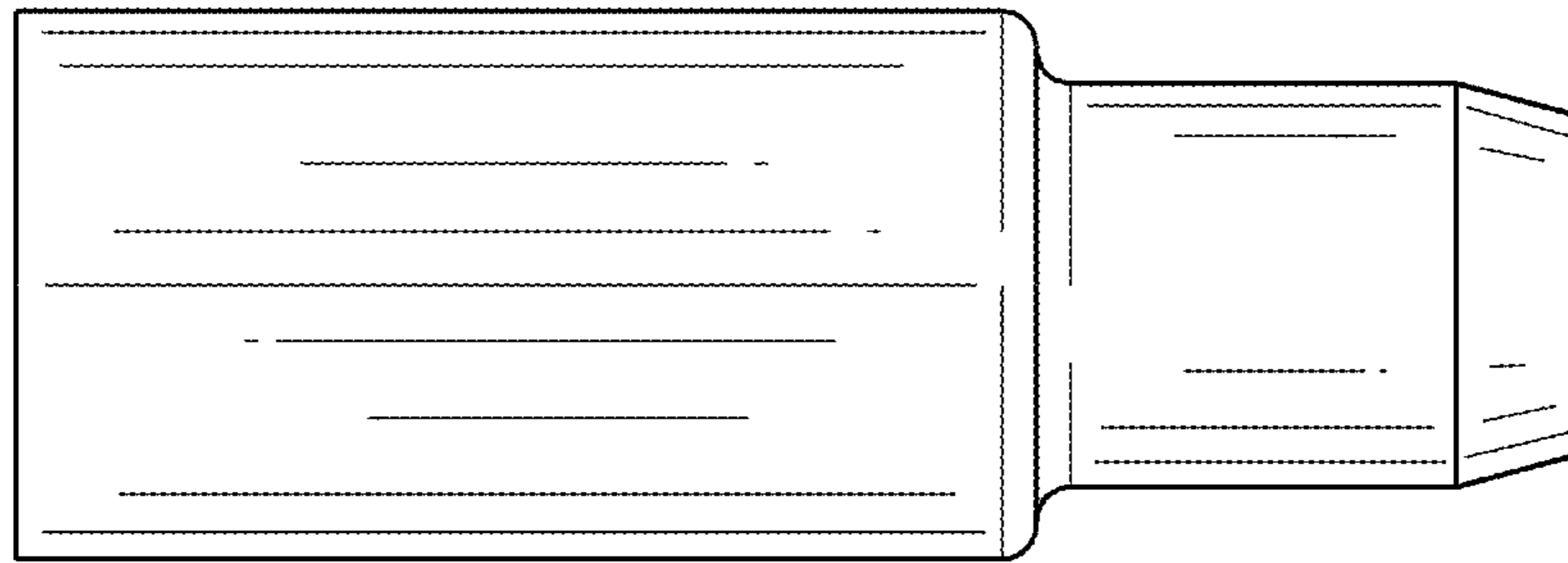


FIG. 3

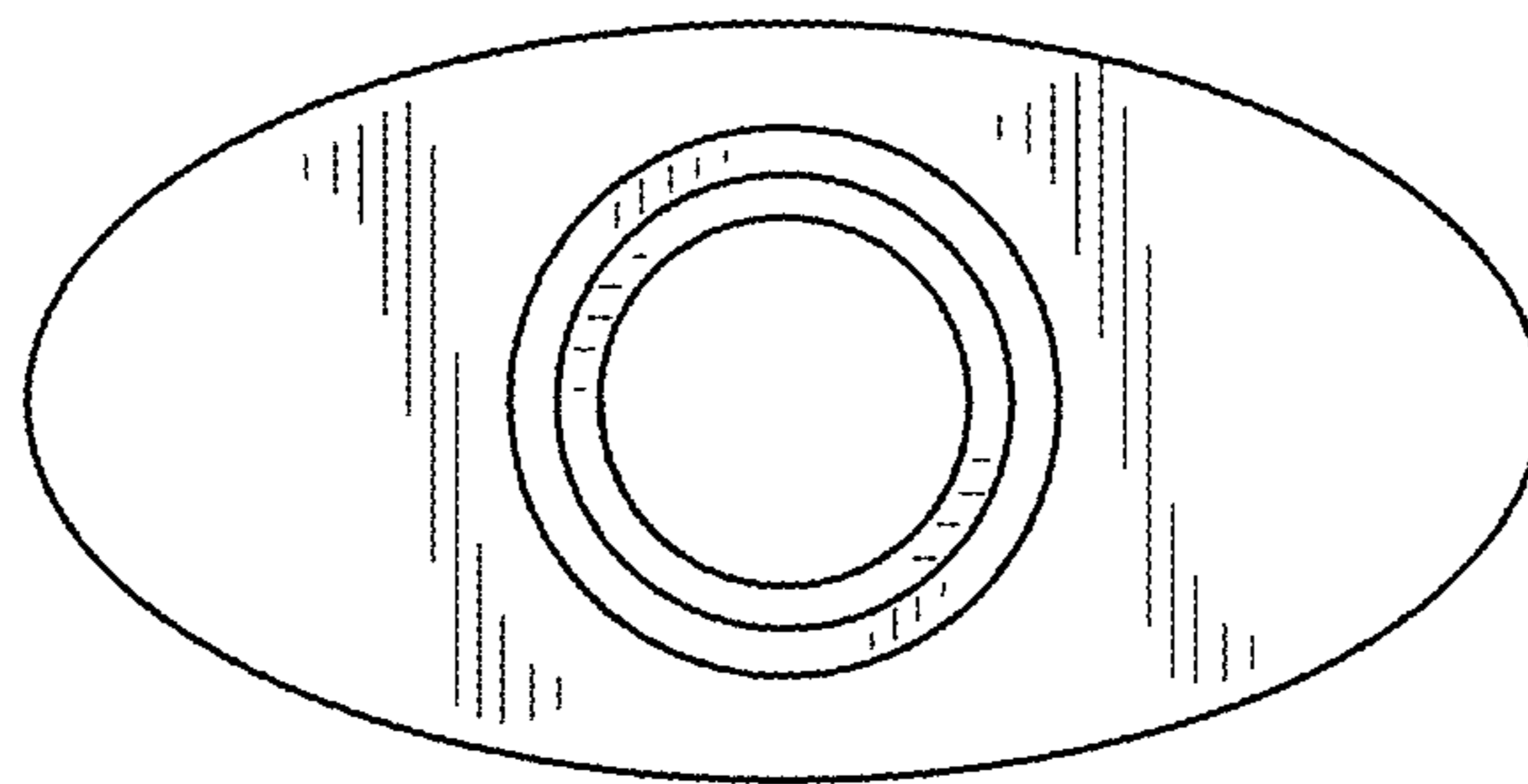


FIG. 4

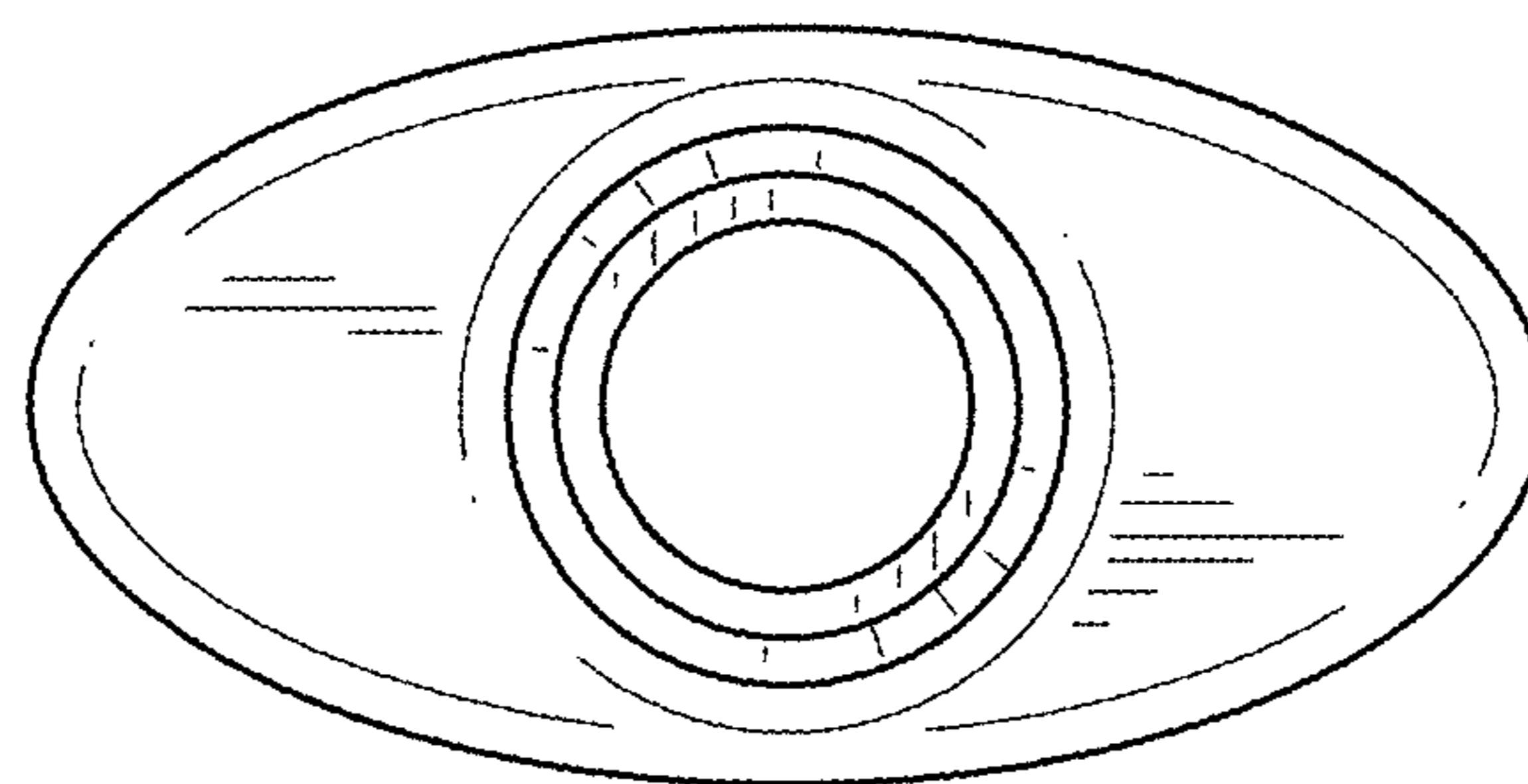


FIG. 5