



US00D807290S

(12) **United States Design Patent**  
**Liao**

(10) **Patent No.:** **US D807,290 S**

(45) **Date of Patent:** **\*\* Jan. 9, 2018**

(54) **MULTI-FUNCTION CONNECTOR**

(71) Applicant: **Zhuowen Liao**, Shenzhen (CN)

(72) Inventor: **Zhuowen Liao**, Shenzhen (CN)

(\*\*) Term: **14 Years**

(21) Appl. No.: **29/523,756**

(22) Filed: **Apr. 14, 2015**

(30) **Foreign Application Priority Data**

Mar. 30, 2015 (CN) ..... 2015 3 0079266

(51) **LOC (11) Cl.** ..... **13-02**

(52) **U.S. Cl.**  
USPC ..... **D13/110**

(58) **Field of Classification Search**  
USPC ..... D13/110, 101, 107, 108, 118, 133,  
D13/137.1-137.4, 138.1, 138.2, 139.1,  
D13/146, 147, 199; 174/54, 59, 61, 66;  
307/11, 17, 22, 150; 320/107, 111, 112,  
320/113, 114, 115; 362/640, 641, 642;  
363/142, 146; 439/105, 106, 131, 146,  
439/171, 172, 222, 518, 626, 628, 638,  
439/640, 653; D14/432, 433, 242, 356,  
D14/357, 358  
CPC ..... H01R 4/66; H01R 13/44; H01R 13/4534;  
H01R 13/639; H01R 13/6633; H01R  
13/6658; H01R 27/00; H01R 27/02;  
H01R 29/00; H01R 31/06; H02M 1/10;  
H01H 13/50

See application file for complete search history.

(56) **References Cited**

U.S. PATENT DOCUMENTS

D484,853	S *	1/2004	Alviar	.....	D13/110
D496,629	S *	9/2004	Hriscu	.....	D13/110
D538,222	S *	3/2007	Curello	.....	D13/103
D654,867	S *	2/2012	Huppe	.....	D13/110
D684,976	S *	6/2013	Akana	.....	D14/433
D714,731	S *	10/2014	Lee	.....	D13/147
D722,952	S *	2/2015	Hu	.....	D13/103
2010/0151723	A1 *	6/2010	Su	.....	H01R 13/6658 439/505
2015/0155726	A1 *	6/2015	Duan	.....	H01H 13/50 320/113

\* cited by examiner

*Primary Examiner* — Derrick Holland

(74) *Attorney, Agent, or Firm* — Roger H. Chu

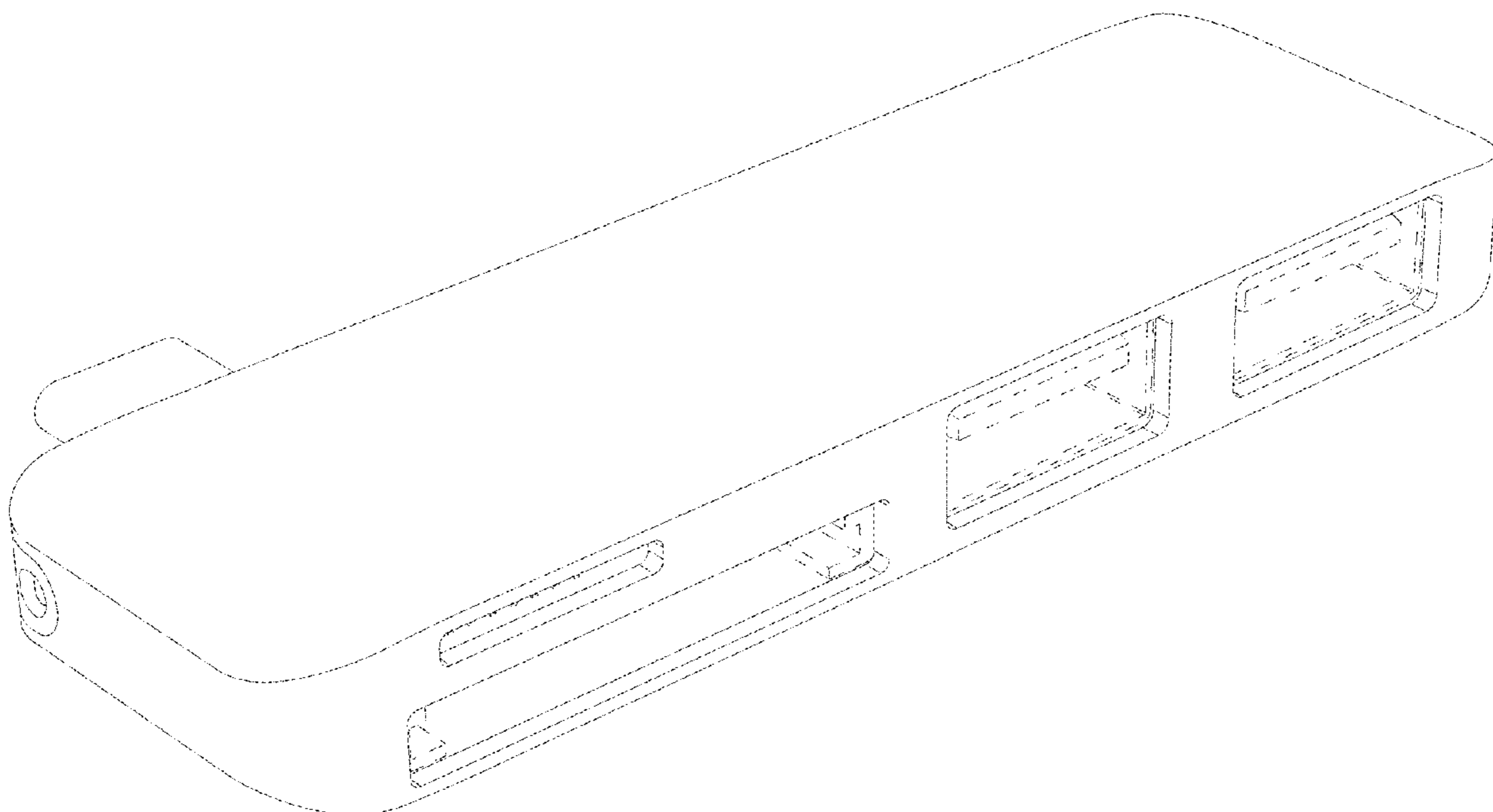
(57) **CLAIM**

The ornamental design for a multi-function connector, as shown and described.

**DESCRIPTION**

FIG. 1 is a perspective view of a multi-function connector showing my design;  
FIG. 2 is a front side view thereof;  
FIG. 3 is a rear side view thereof;  
FIG. 4 is a top view thereof, the top and bottom views being mirror images to each other; and,  
FIG. 5 is a side view thereof, left and right side views being mirror images to each other.  
The broken lines shown represent unclaimed subject matter and form no part of the claimed design.

**1 Claim, 5 Drawing Sheets**



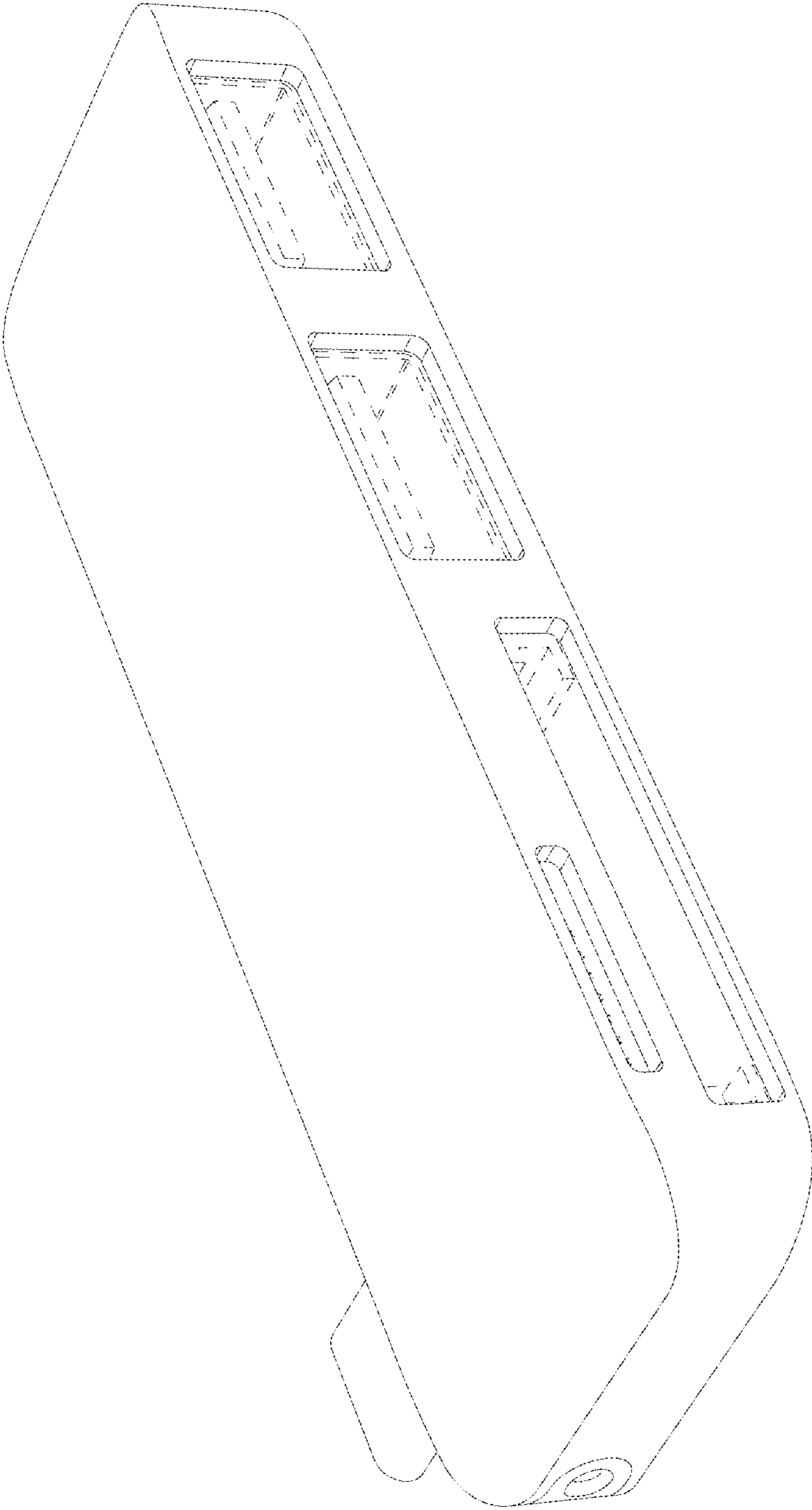


Fig. 1

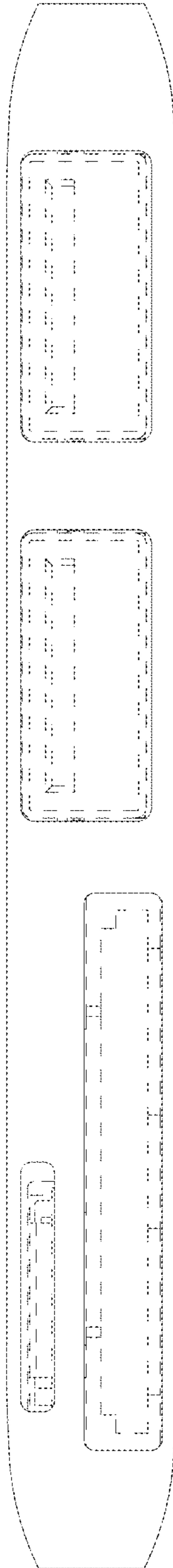


Fig. 2

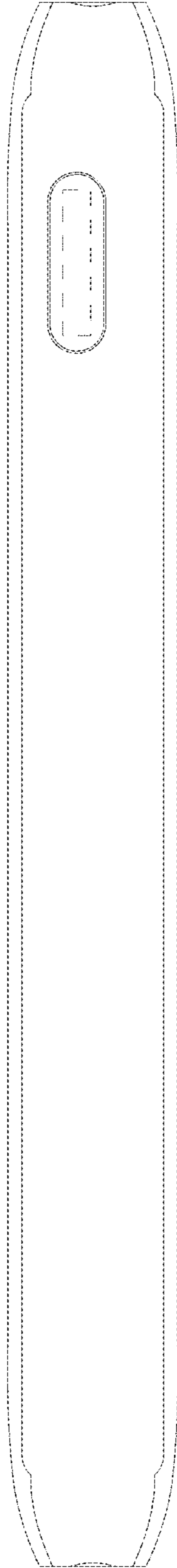


Fig. 3



Fig. 4

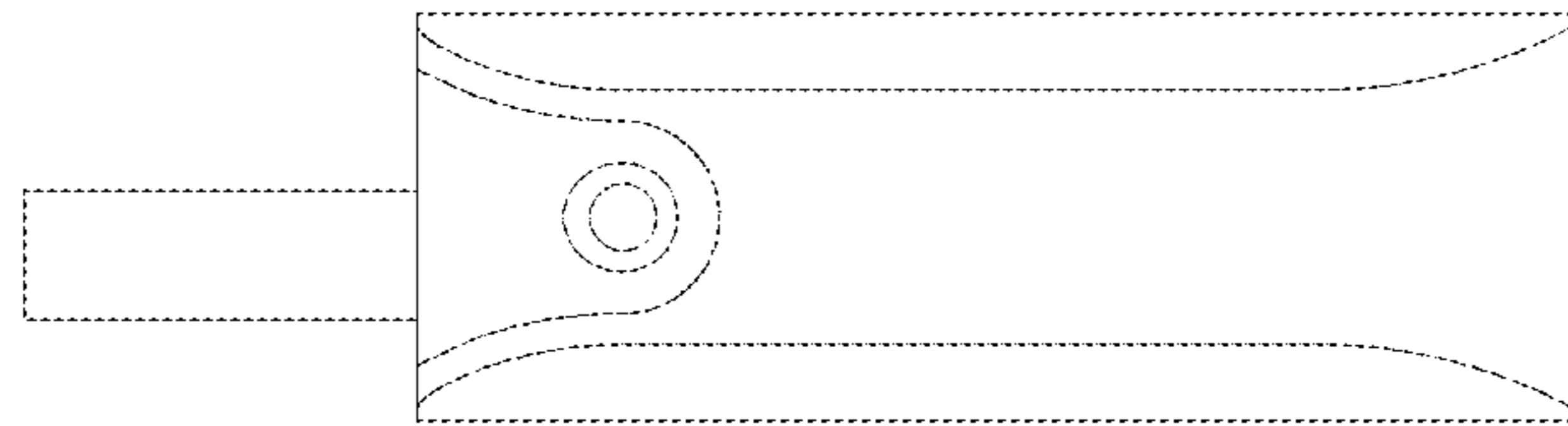


Fig. 5