



US00D807289S

(12) **United States Design Patent**
Wang

(10) **Patent No.:** **US D807,289 S**
(45) **Date of Patent:** **** Jan. 9, 2018**

(54) **CAR CHARGER**

(71) Applicant: **Superior Communications, Inc.**,
Irwindale, CA (US)

(72) Inventor: **Szuchi Wang**, New Taipei (TW)

(73) Assignee: **SUPERIOR COMMUNICATIONS, INC.**,
Irwindale, CA (US)

(**) Term: **15 Years**

(21) Appl. No.: **29/576,712**

(22) Filed: **Sep. 6, 2016**

(51) **LOC (11) Cl.** **13-02**

(52) **U.S. Cl.**
USPC **D13/107; D13/144**

(58) **Field of Classification Search**
USPC D13/102-110, 118-119, 184, 199, 144;
D14/251, 253, 432, 434, 155
CPC Y02E 60/12; Y02T 90/14; Y02T 90/122;
Y02T 90/128; Y02T 90/163; H02J 7/025;
H02J 7/0042; H02J 7/0044; H02J 7/0045;
H02J 7/0003; H02J 7/0054; H02J 7/0055;
H02J 7/0057; H01F 38/14; H01R
13/6675; H01R 13/70; H01R 13/71;
H01R 13/66; H01R 2201/26; H01M
2/1022; H01M 2/1055; H01M 10/44;
H01M 10/46; H01M 10/425; H05K 11/02
See application file for complete search history.

(56) **References Cited**

U.S. PATENT DOCUMENTS

D614,136 S * 4/2010 Chyan D13/144
D615,043 S * 5/2010 Tang D13/144

D655,247 S * 3/2012 Fitch D13/144
D655,676 S * 3/2012 Au D13/144
D673,504 S * 1/2013 Esses D13/144
D711,830 S * 8/2014 Liu D13/144
D714,223 S * 9/2014 Huang D13/144
D719,916 S * 12/2014 Cheng D13/144
D723,466 S * 3/2015 Wang D13/110
D743,885 S * 11/2015 Nazar D13/108
D747,681 S * 1/2016 Lee D13/108
D750,565 S * 3/2016 Venida D13/144
D778,822 S * 2/2017 Broadhurst, IV D13/107

* cited by examiner

Primary Examiner — Rosemary K Tarcaza
Assistant Examiner — Alison M Ofstun
(74) *Attorney, Agent, or Firm* — Snell & Wilmer L.L.P.

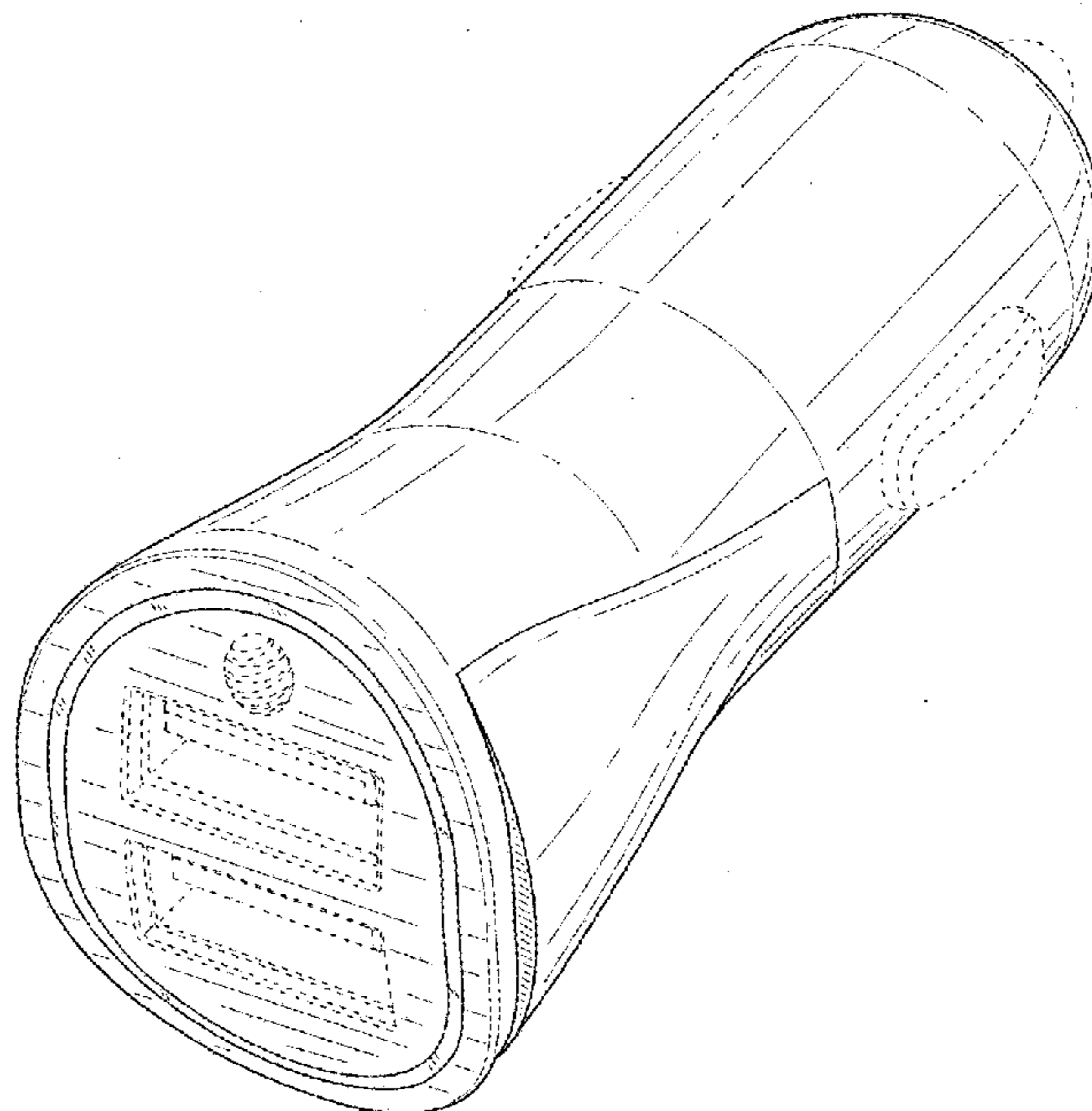
(57) **CLAIM**

I claim the ornamental design for a car charger, as shown and described.

DESCRIPTION

FIG. 1 is a front perspective view of a car charger, showing my new design;
FIG. 2 is a front view thereof;
FIG. 3 is a rear view thereof;
FIG. 4 is a right side view thereof;
FIG. 5 is a left side view thereof;
FIG. 6 is a top view thereof; and,
FIG. 7 is a bottom view thereof.
The broken lines in the FIGURES represent portions of the article which form no part of the claimed design.

1 Claim, 6 Drawing Sheets



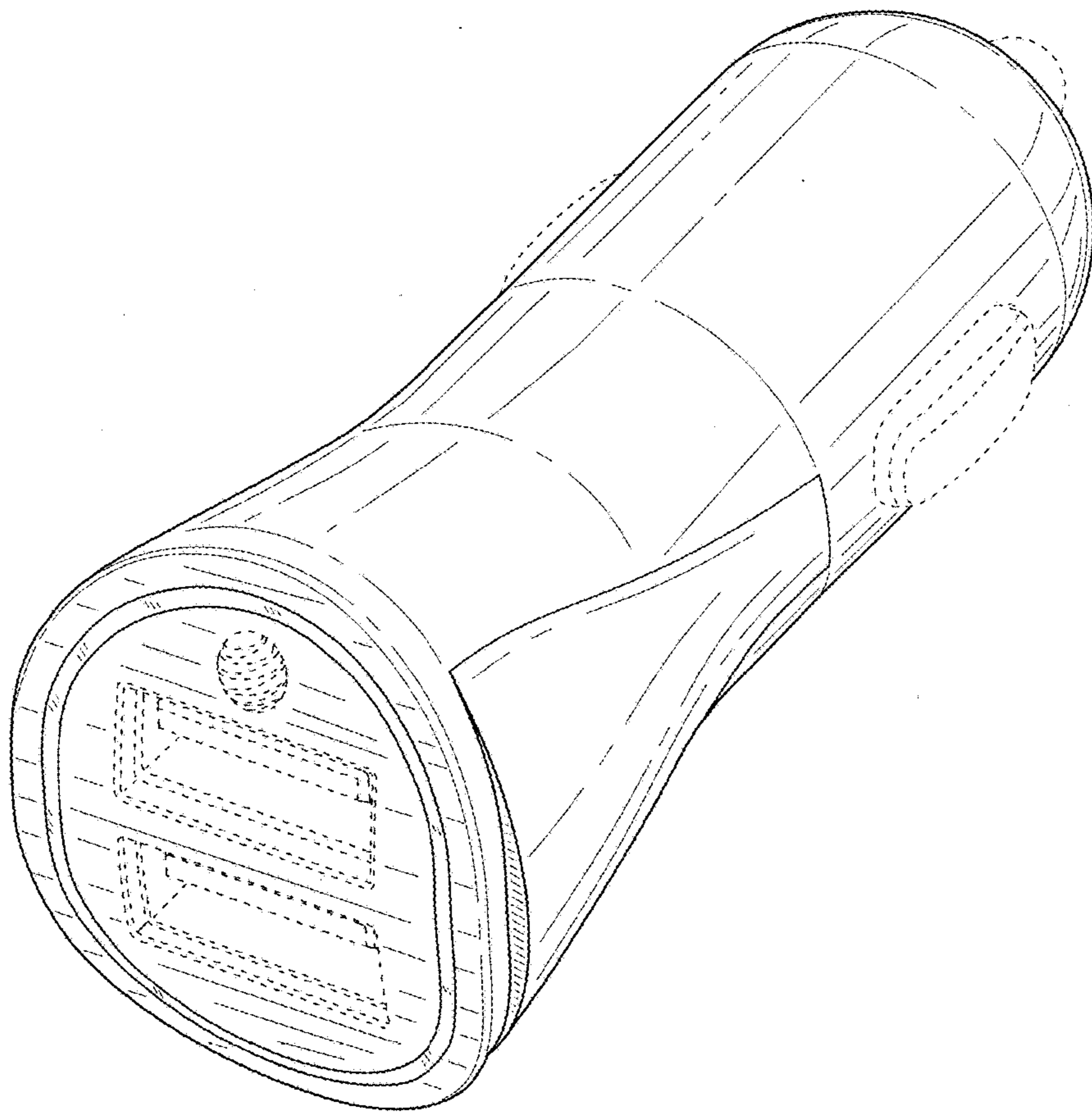


FIG. 1

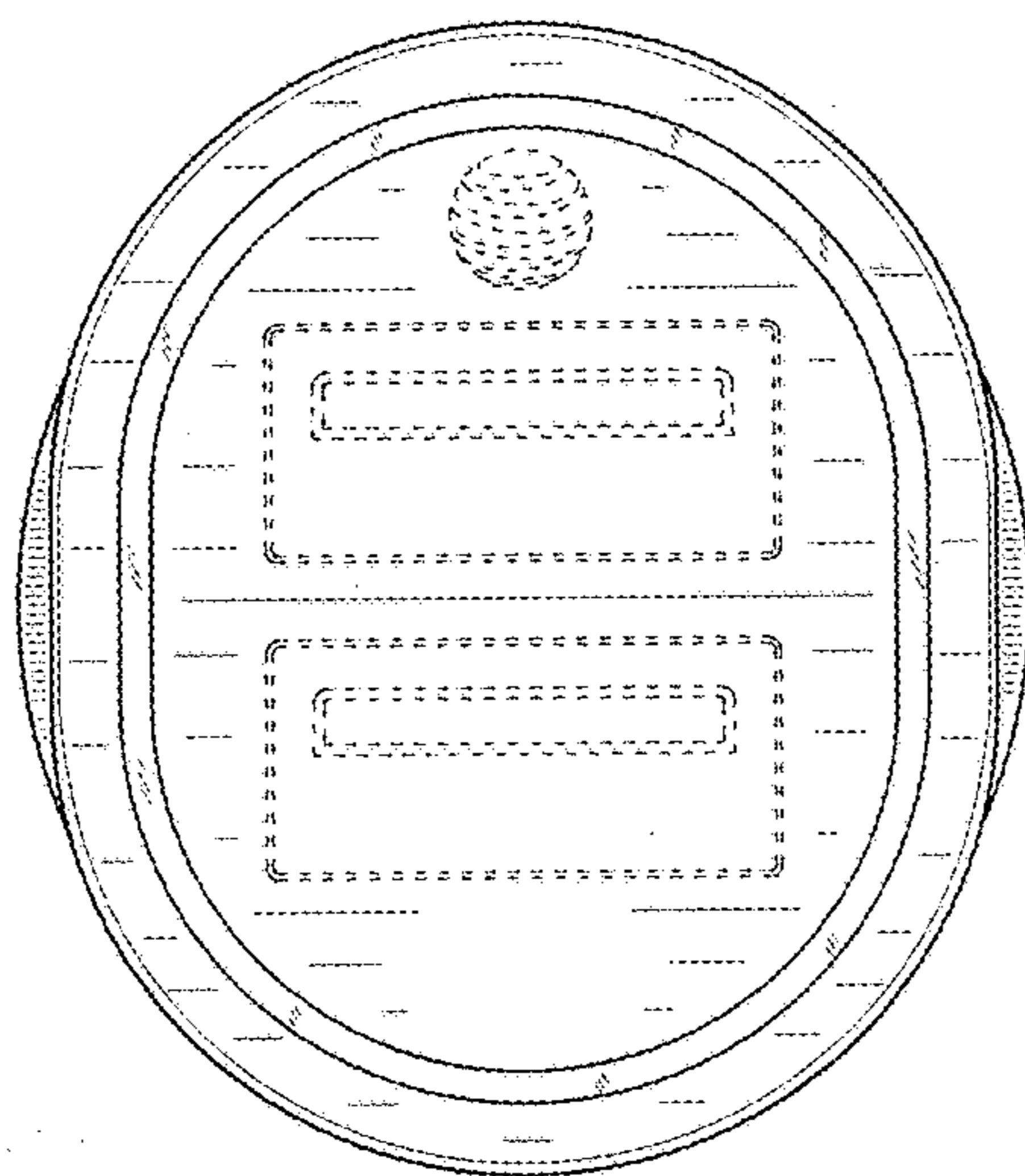


FIG. 2

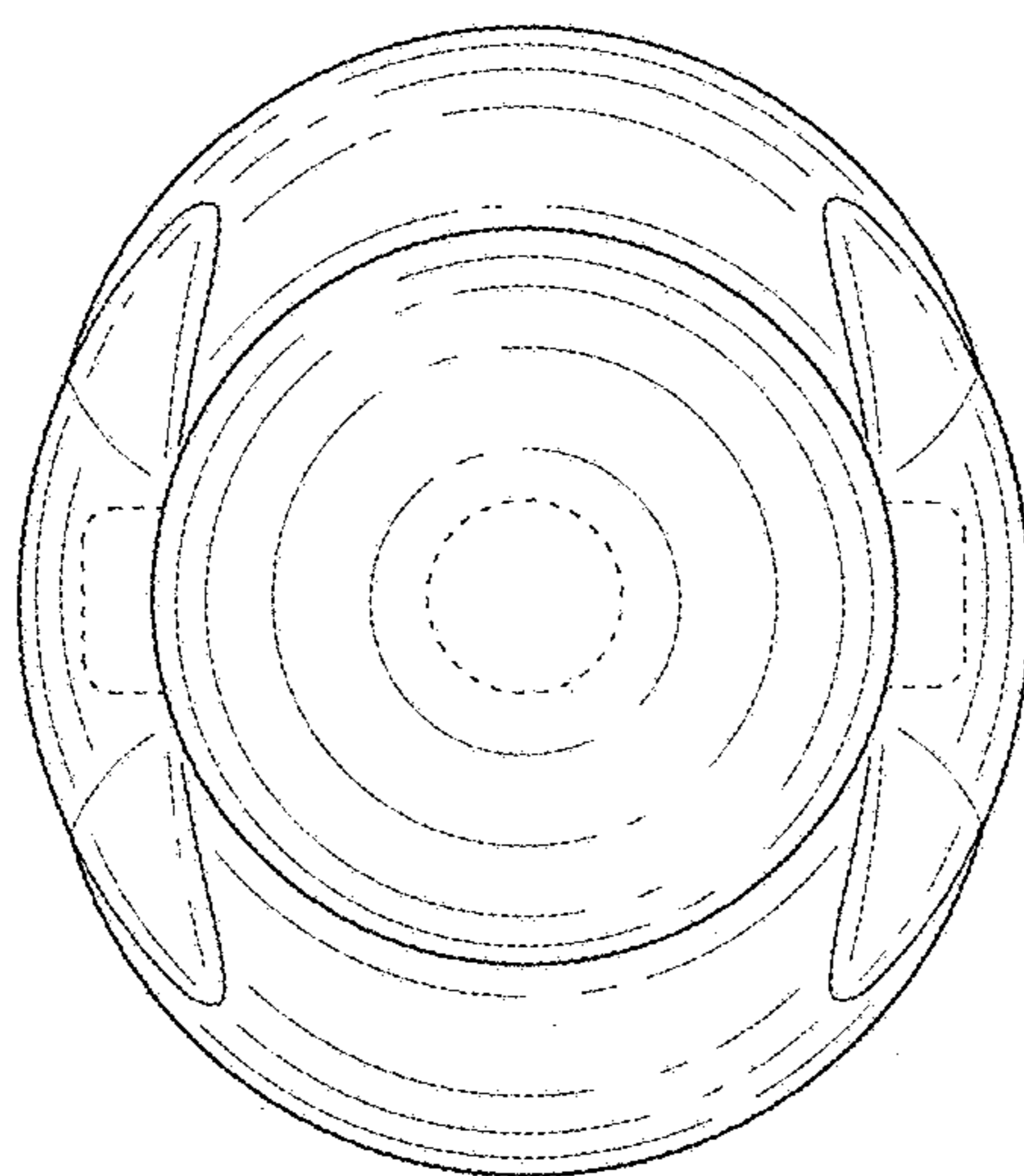


FIG. 3

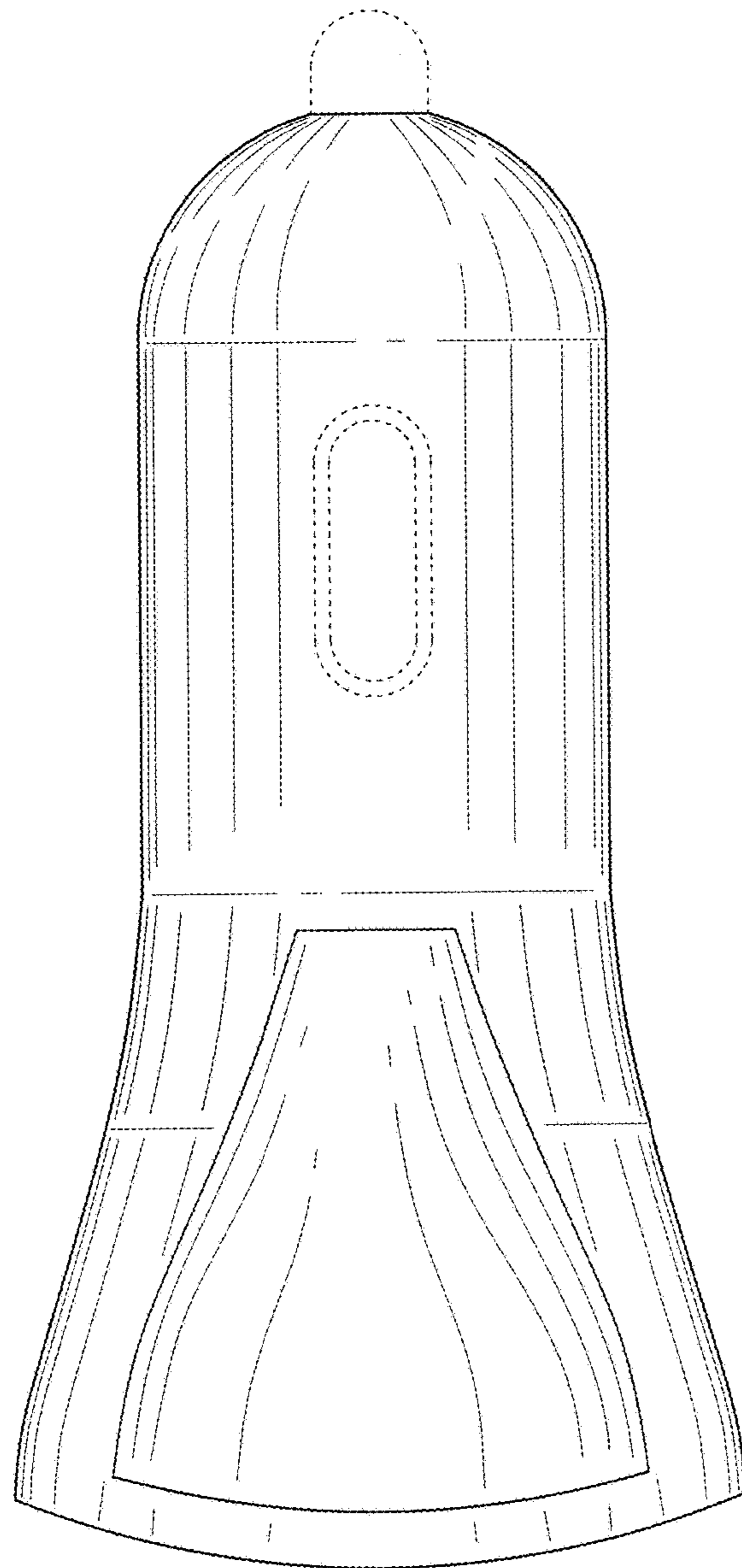


FIG. 4

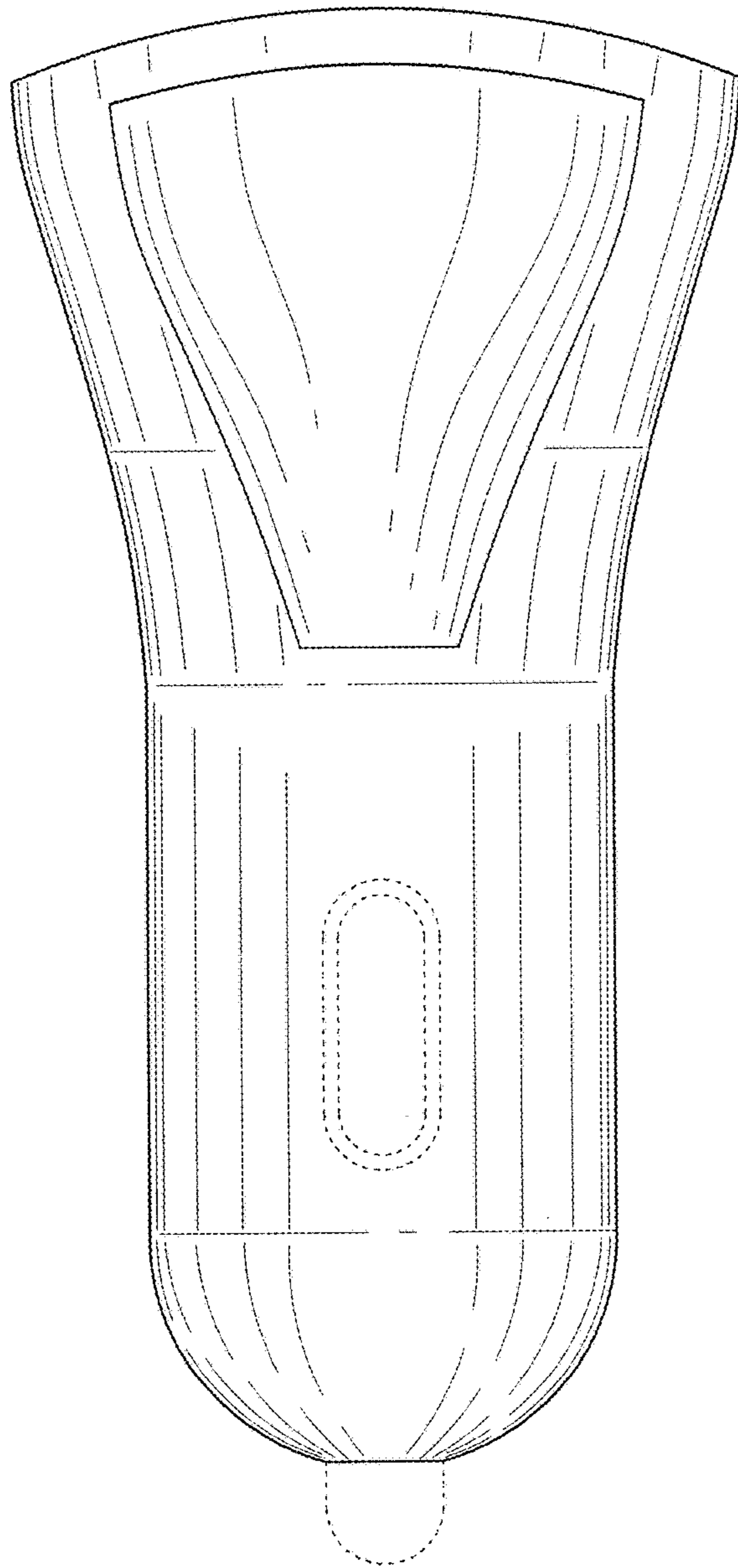


FIG. 5

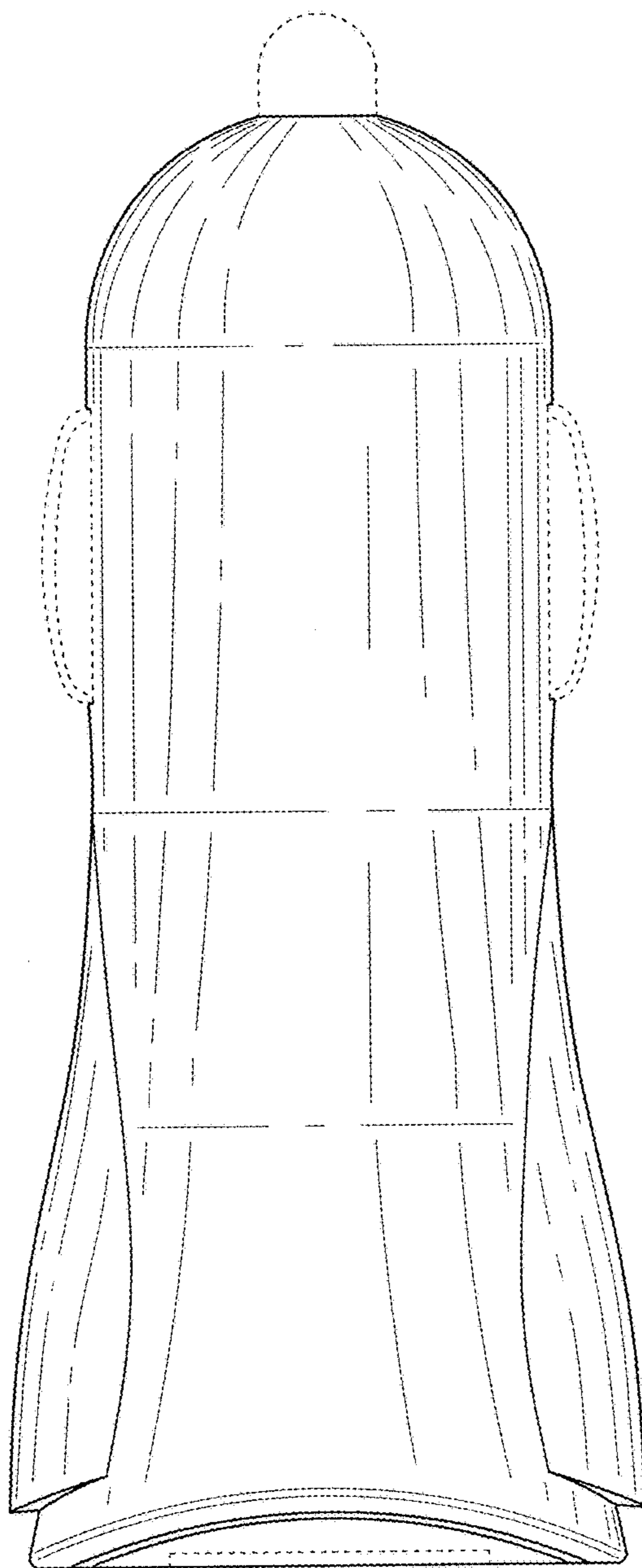


FIG. 6

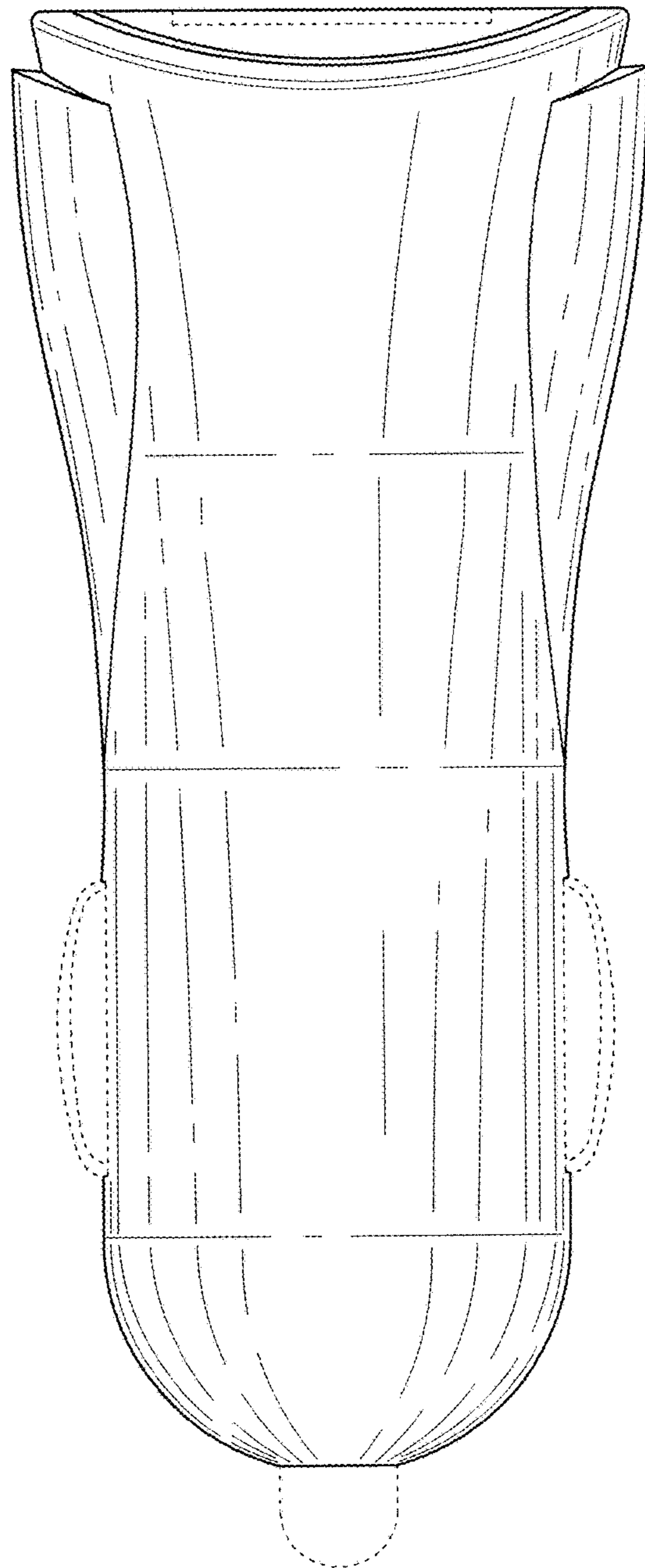


FIG. 7