



US00D807288S

(12) **United States Design Patent**  
**Kim et al.**

(10) **Patent No.:** **US D807,288 S**  
(45) **Date of Patent:** **\*\* Jan. 9, 2018**

(54) **CHARGER**

(71) Applicant: **SAMSUNG ELECTRONICS CO., LTD.**, Suwon-si (KR)

(72) Inventors: **Dowon Kim**, Suwon-si (KR); **Jaehyun Park**, Pyeongtaek-si (KR); **Keumsu Song**, Seoul (KR); **Youngho Ryu**, Jeju-si (KR)

(73) Assignee: **SAMSUNG ELECTRONICS CO., LTD.**, Gyeonggi-Do (KR)

(\*\*) Term: **15 Years**

(21) Appl. No.: **29/552,486**

(22) Filed: **Jan. 22, 2016**

(30) **Foreign Application Priority Data**

Jul. 23, 2015 (KR) ..... 30-2015-0037291

(51) **LOC (11) Cl.** ..... **13-02**

(52) **U.S. Cl.**  
USPC ..... **D13/107**

(58) **Field of Classification Search**  
USPC ..... D13/107-110, 118-119, 184; D14/251, D14/253, 432, 434  
CPC ..... Y02E 60/12; Y02T 90/14; Y02T 90/122; Y02T 90/128; Y02T 90/163; H02J 7/025; H02J 7/0042; H02J 7/0044; H02J 7/0045; H02J 7/0003; H01F 38/14; H01R 13/6675; H01M 2/1022; H01M 2/1055; H01M 10/44; H01M 10/46; H01M 10/425; B60L 11/182

See application file for complete search history.

(56) **References Cited**

**U.S. PATENT DOCUMENTS**

D221,081 S \* 7/1971 Kahn ..... D13/110  
D300,678 S \* 4/1989 Barrault ..... D13/108

D508,458 S \* 8/2005 Solland ..... D13/108  
D512,372 S \* 12/2005 Sakai ..... D13/108  
D516,023 S \* 2/2006 Quinn ..... D13/108  
D516,025 S \* 2/2006 Quinn ..... D13/108  
D527,704 S \* 9/2006 Rodarte ..... D13/108  
D627,718 S \* 11/2010 Houghton ..... D13/108  
D659,093 S \* 5/2012 Schmid ..... D13/108  
D678,193 S \* 3/2013 Siminoff ..... D13/108  
D680,541 S \* 4/2013 Lee ..... D14/217  
D683,311 S \* 5/2013 Siminoff ..... D13/108  
D717,244 S 11/2014 Reishus et al.  
D722,959 S 2/2015 Bulgarov et al.

(Continued)

**FOREIGN PATENT DOCUMENTS**

KR 300706286 8/2013  
KR 300768552 10/2014

**OTHER PUBLICATIONS**

PowerbyProxi, (Copyright 2016), p. 1, Retrieved from the Internet Jan. 22, 2016, <URL:http://www.ciokorea.com/news/21154>.

*Primary Examiner* — Rosemary K Tarcza

(74) *Attorney, Agent, or Firm* — Cantor Colburn LLP

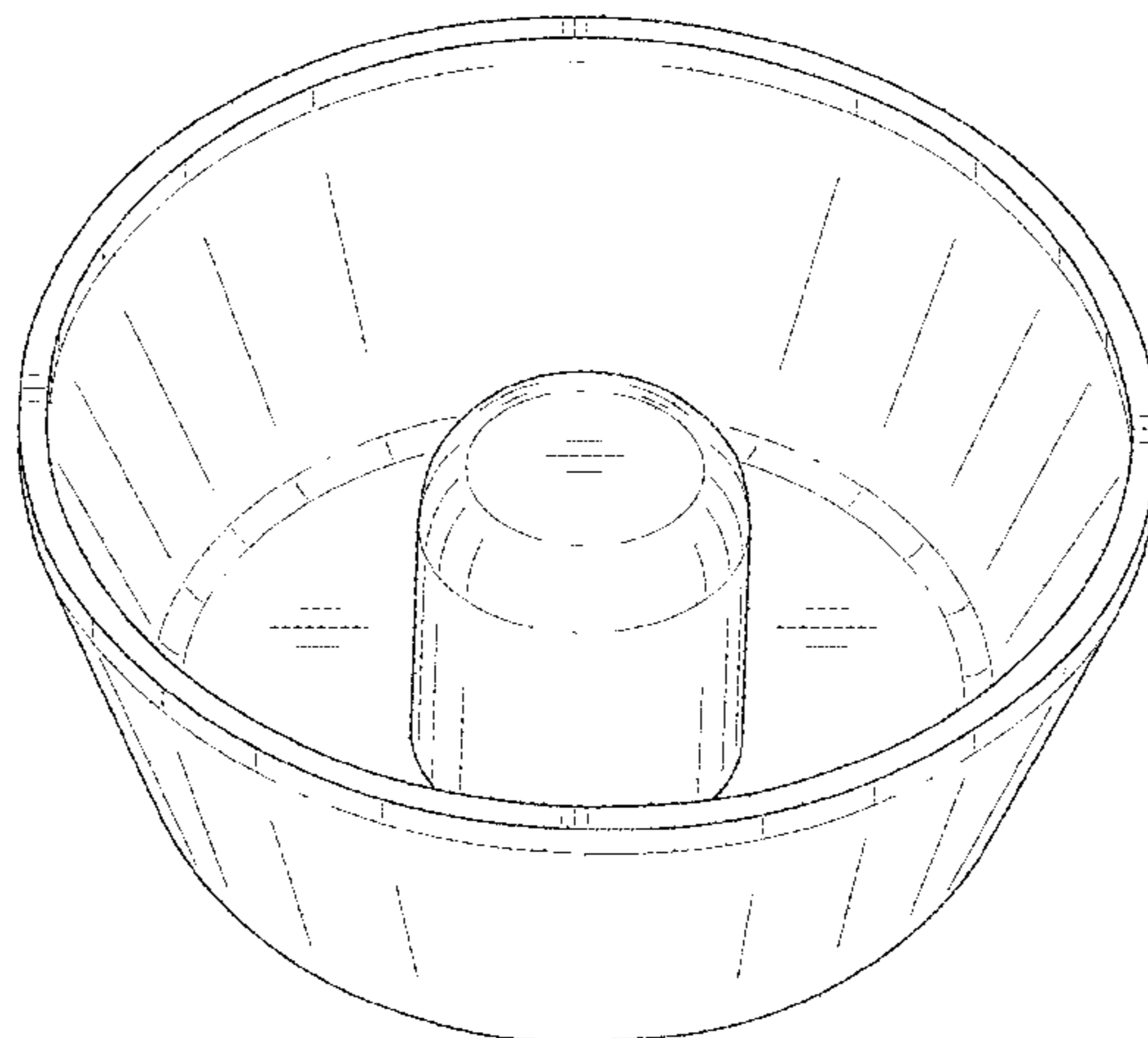
(57) **CLAIM**

The ornamental design for a charger, as shown and described.

**DESCRIPTION**

FIG. 1 is a perspective view of a charger, showing our new design;  
FIG. 2 is a front view thereof;  
FIG. 3 is a rear view thereof;  
FIG. 4 is a side view thereof;  
FIG. 5 is another side view thereof;  
FIG. 6 is a top view thereof;  
FIG. 7 is a bottom view thereof; and,  
FIG. 8 is a cross-sectional view taken along 8-8 of FIG. 6.

**1 Claim, 8 Drawing Sheets**



(56)

**References Cited**

U.S. PATENT DOCUMENTS

D730,826 S *	6/2015	Moanack .....	D13/110
D740,750 S *	10/2015	Mayden .....	D13/108
D749,504 S *	2/2016	Jeong .....	D13/108
D795,183 S *	8/2017	Akana .....	D13/108
D797,042 S *	9/2017	Miller .....	D13/107
2017/0093198 A1 *	3/2017	Graham .....	H02J 7/025

\* cited by examiner

FIG. 1

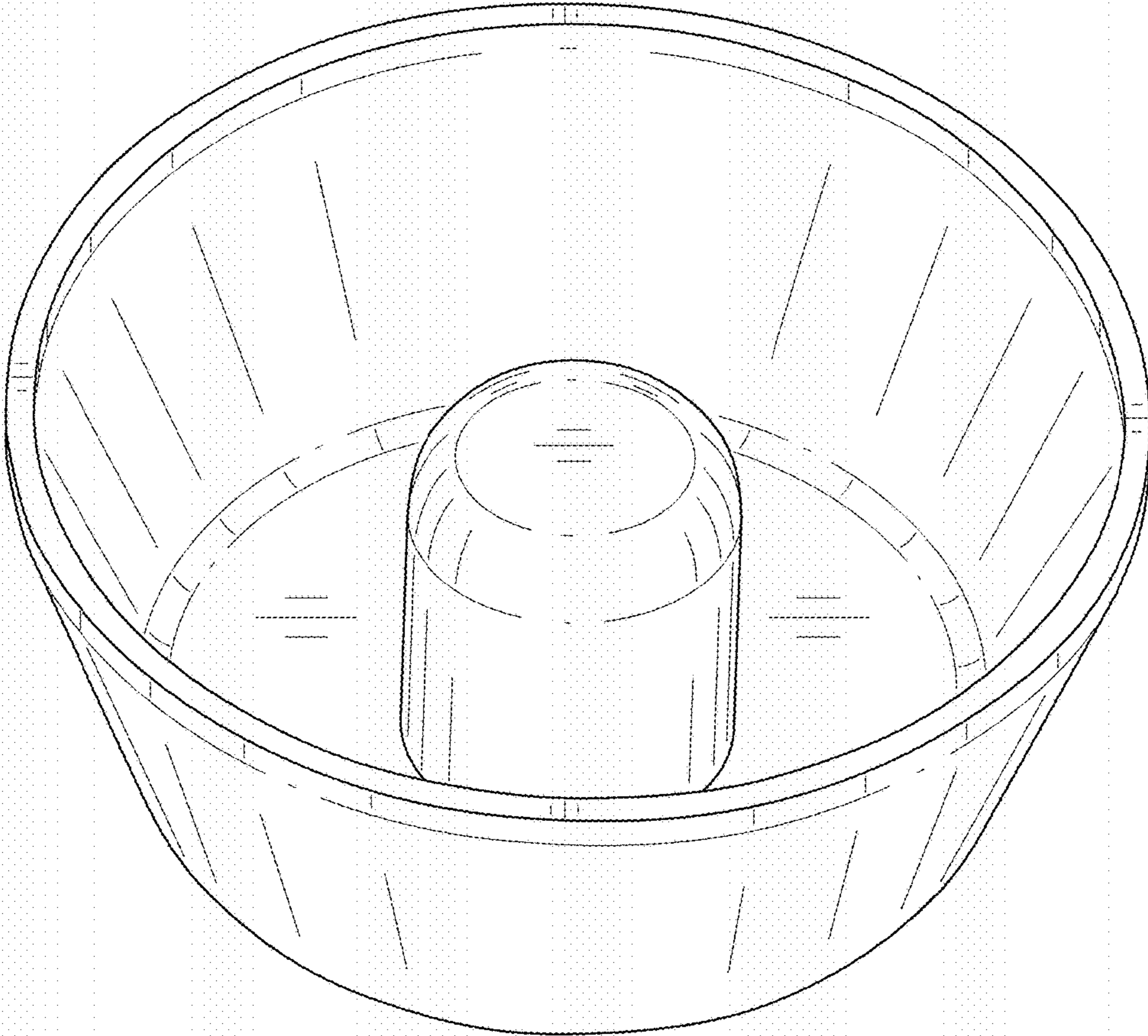


FIG. 2

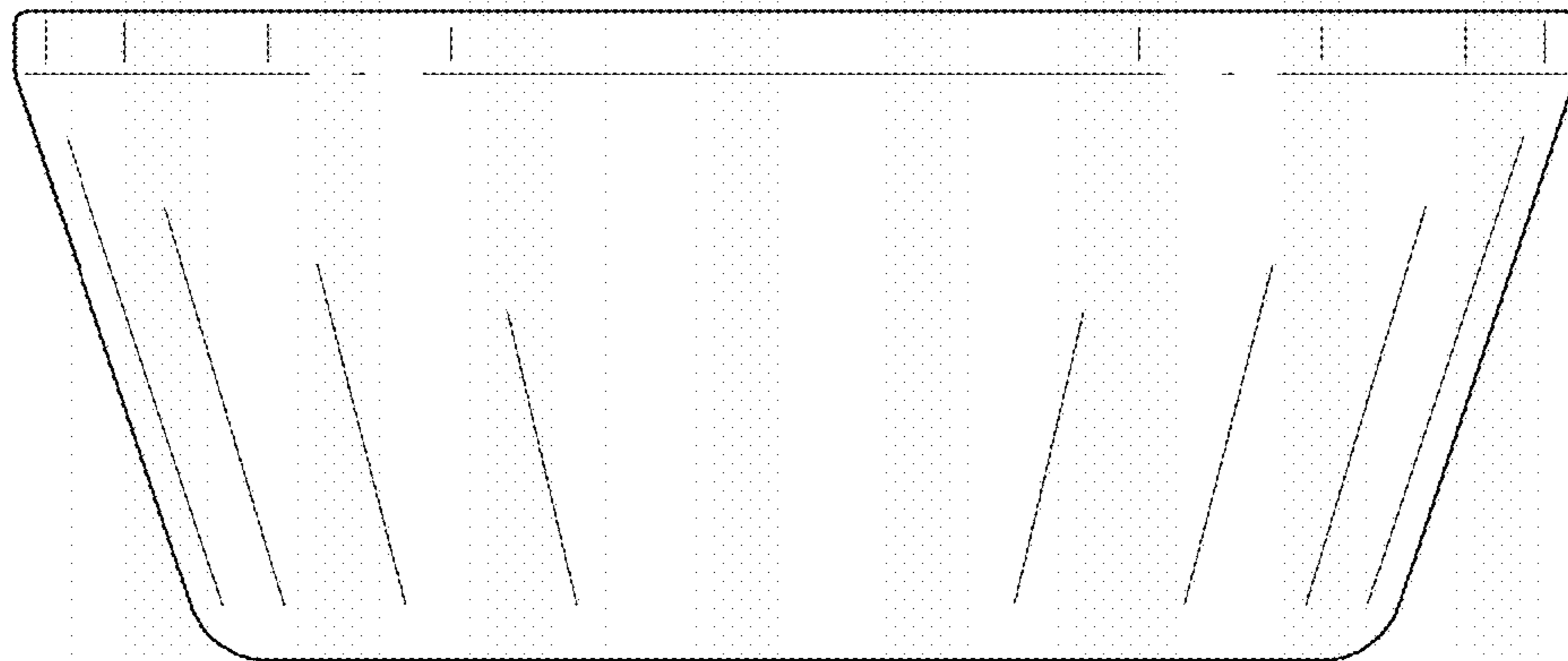


FIG. 3

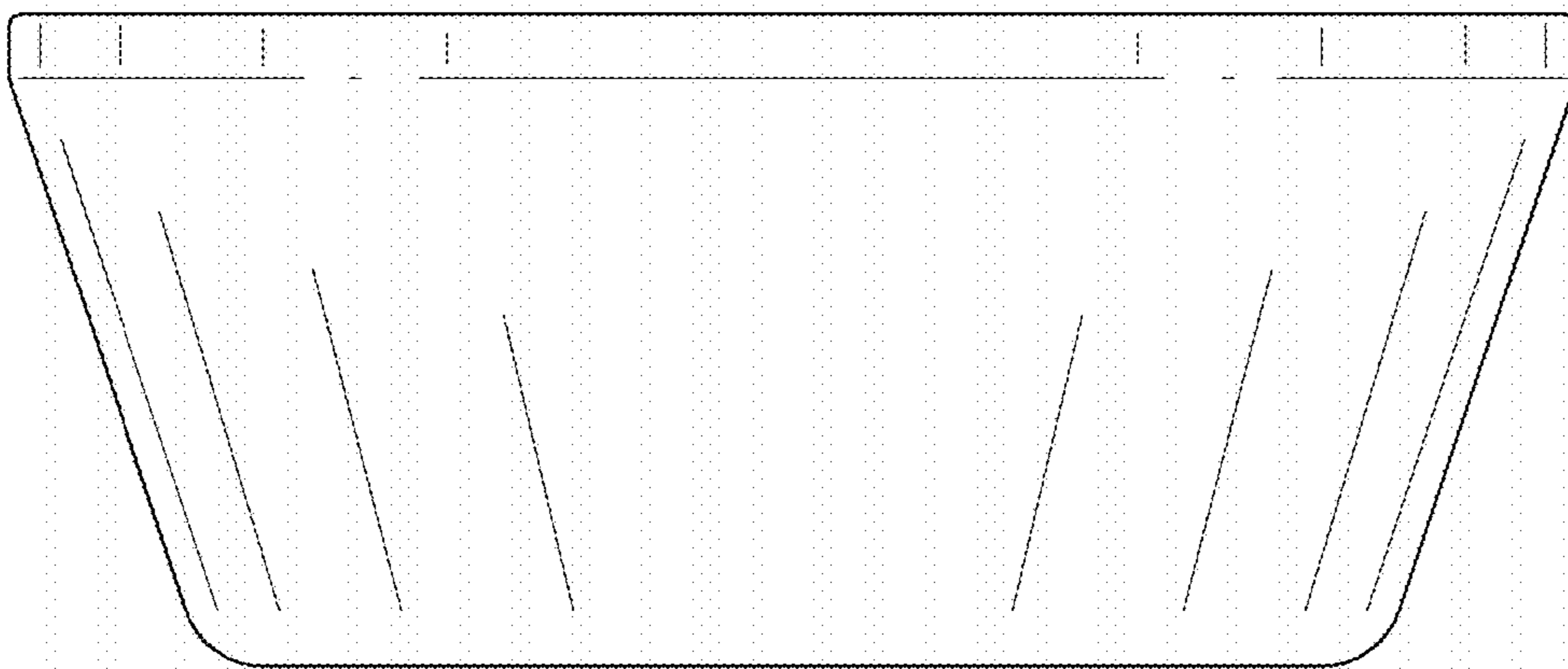


FIG. 4

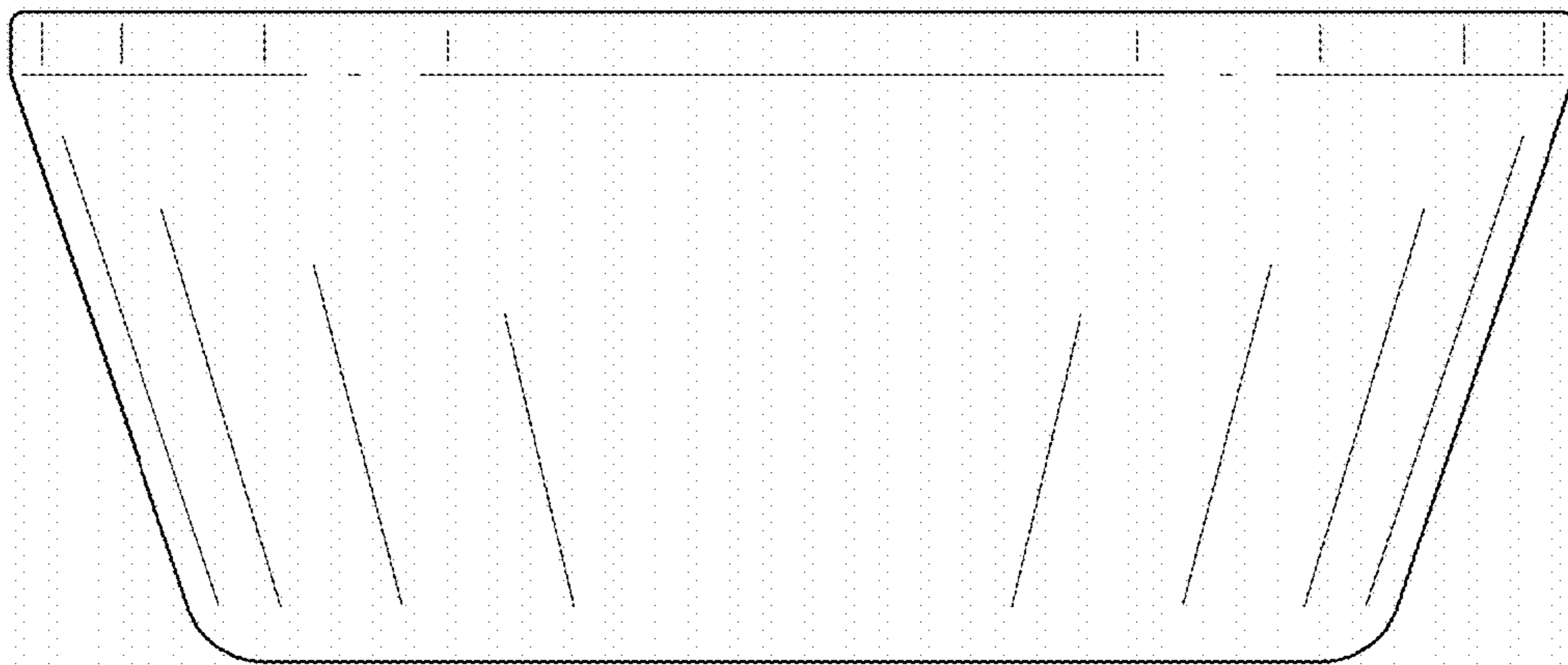


FIG. 5

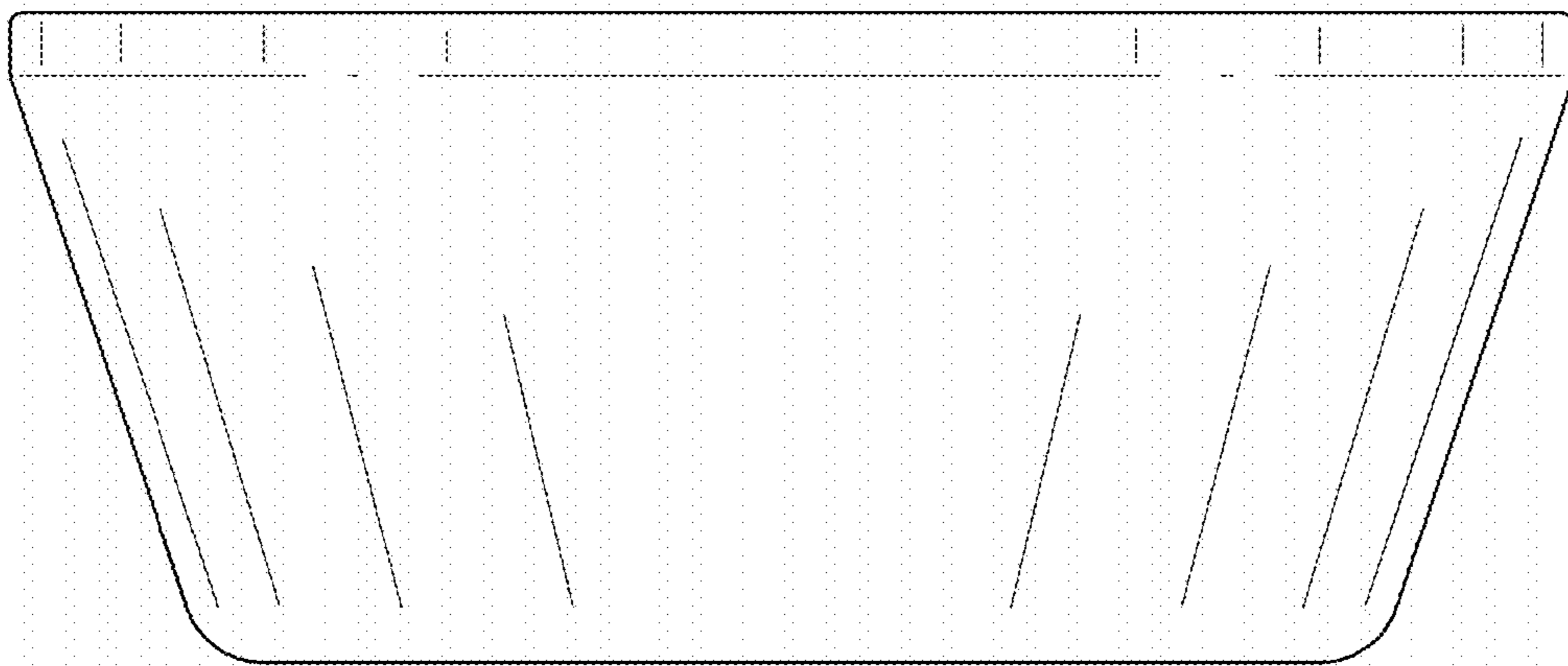


FIG. 6

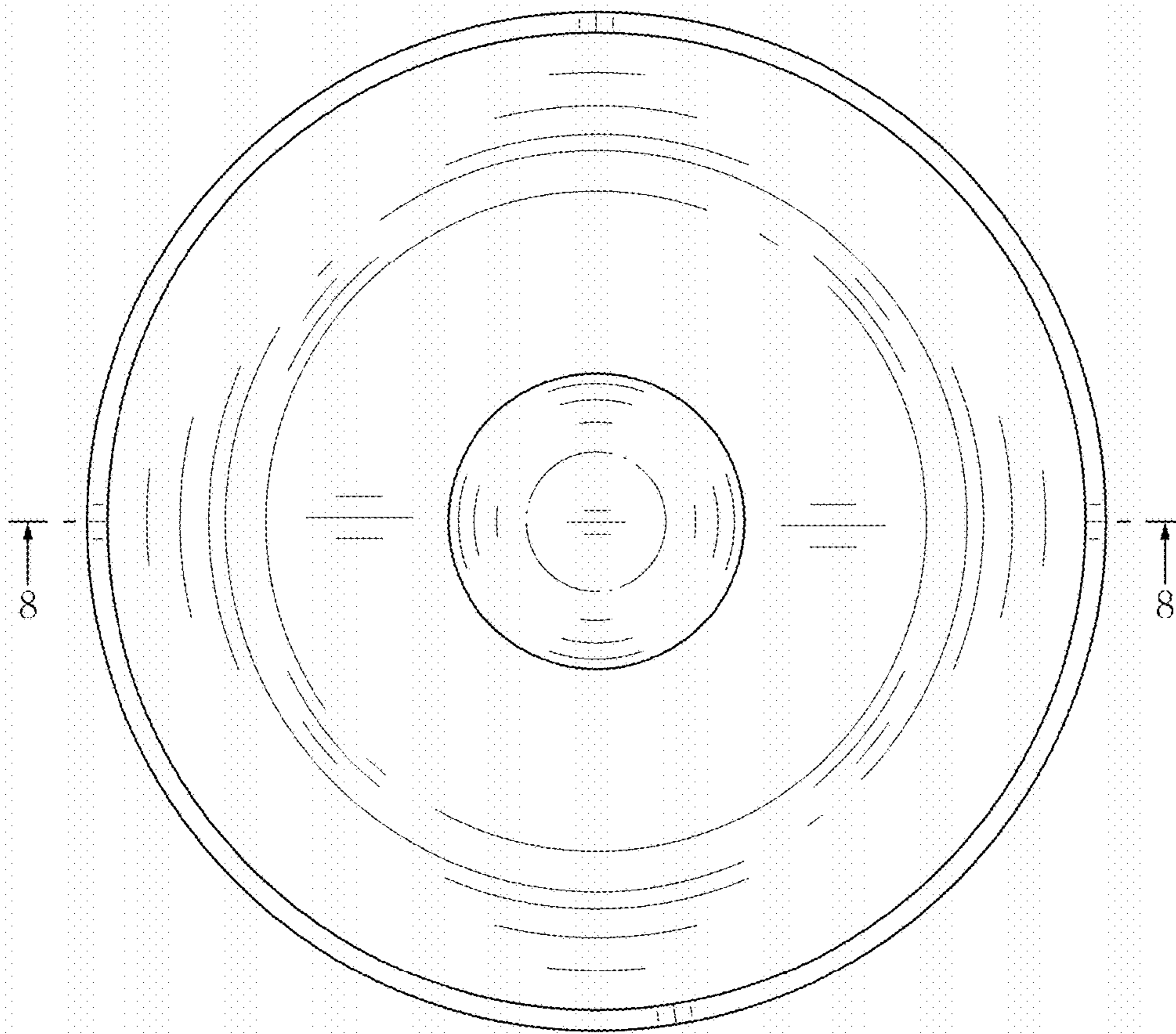




FIG. 7

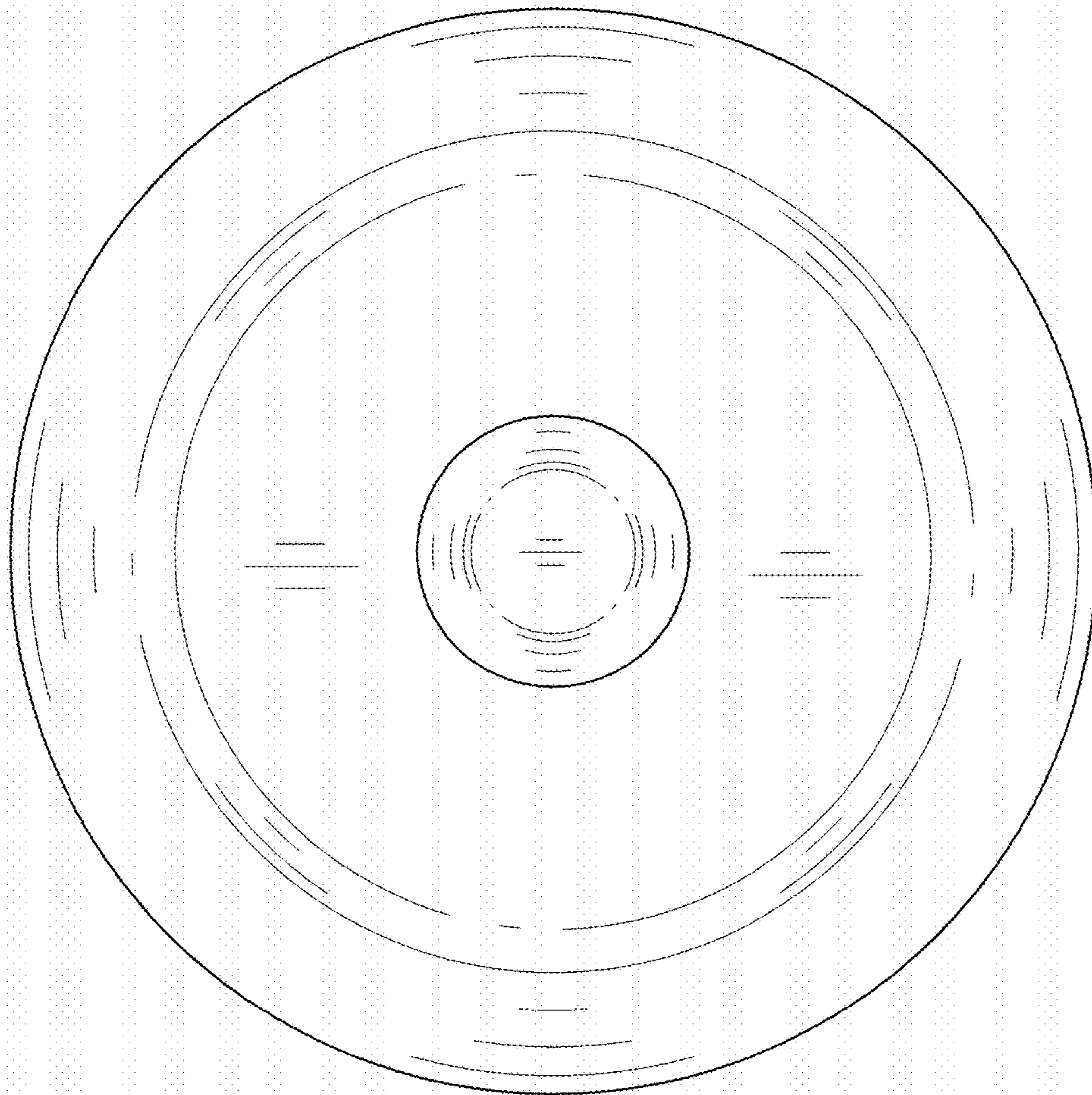


FIG. 8

