



US00D807285S

(12) **United States Design Patent**
Krantz et al.

(10) **Patent No.:** **US D807,285 S**
(45) **Date of Patent:** **** Jan. 9, 2018**

(54) **SOLAR PANEL**

- (71) Applicant: **Goal Zero LLC**, Bluffdale, UT (US)
- (72) Inventors: **Norman L. Krantz**, Draper, UT (US);
Henry J. Howell, Herriman, UT (US);
Fred Lillywhite, Cottonwood Heights,
UT (US)
- (73) Assignee: **Goal Zero LLC**, Bluffdale, UT (US)
- (**) Term: **15 Years**

(21) Appl. No.: **29/535,211**

(22) Filed: **Aug. 4, 2015**

(51) **LOC (11) Cl.** **13-02**

(52) **U.S. Cl.**
USPC **D13/102**

(58) **Field of Classification Search**
USPC D13/102, 103, 104, 107, 110, 119, 199;
136/244, 245, 251, 146, 158, 291;
323/906; 126/569, 571, 600, 621, 622,
126/680, 906
CPC Y02E 10/50; Y02E 10/544; H01L 31/042;
H01L 25/04
See application file for complete search history.

(56) **References Cited**

U.S. PATENT DOCUMENTS

D567,170 S *	4/2008	Chung	D13/102
D599,286 S	9/2009	Horito et al.		
D625,251 S	10/2010	Workman et al.		
D628,534 S *	12/2010	Daniel	D13/102
D630,162 S *	1/2011	Bullen	D13/102
D630,578 S *	1/2011	Ekmekdje	D13/102
D652,376 S *	1/2012	Nomi	D13/102
D674,746 S *	1/2013	Zhang	D13/102
D687,767 S *	8/2013	Nook	D13/102
D689,016 S *	9/2013	Nook	D13/102
D689,817 S *	9/2013	Sun	D13/102
D690,260 S *	9/2013	Nook	D13/102
D693,291 S *	11/2013	Hsieh	D13/102

(Continued)

OTHER PUBLICATIONS

U.S. Appl. No. 13/111,442, filed Dec. 1, 2011, Workman et al.
(Continued)

Primary Examiner — Derrick Holland
Assistant Examiner — Jennifer O King
(74) *Attorney, Agent, or Firm* — Foley & Lardner LLP

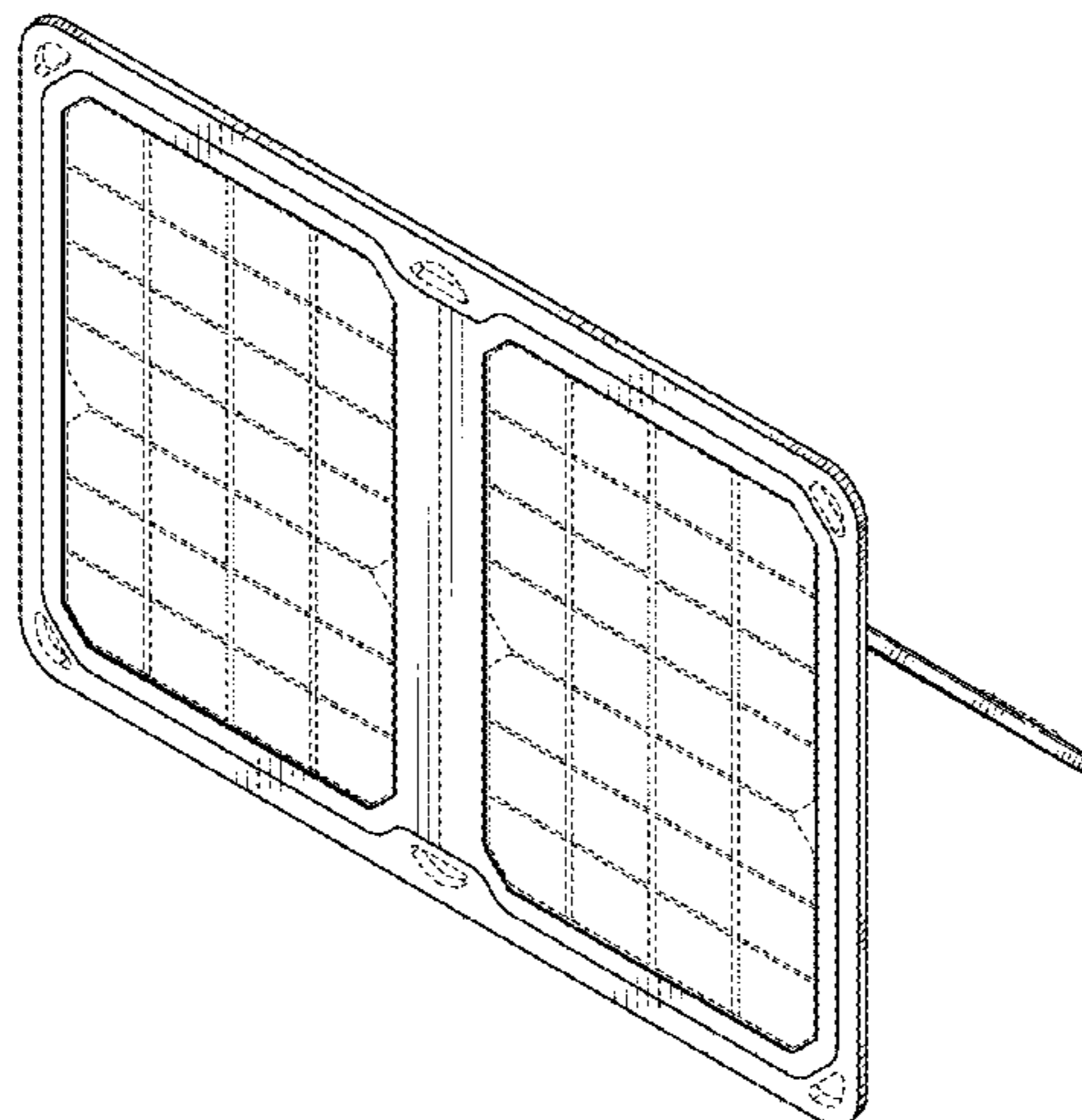
(57) **CLAIM**

We claim the ornamental design for a solar panel, as shown and described.

DESCRIPTION

FIG. 1 is a front perspective view of a first embodiment of the claimed design;
FIG. 2 is a front view of the embodiment of FIG. 1;
FIG. 3 is a rear view of the embodiment of FIG. 1;
FIG. 4 is a left side view of the embodiment of FIG. 1;
FIG. 5 is a right side view of the embodiment of FIG. 1;
FIG. 6 is a top view of the embodiment of FIG. 1;
FIG. 7 is a bottom view of the embodiment of FIG. 1;
FIG. 8 is a front perspective view of the embodiment of FIG. 1 in another configuration;
FIG. 9 is a front view of the embodiment of FIG. 8;
FIG. 10 is a rear view of the embodiment of FIG. 8;
FIG. 11 is a left side view of the embodiment of FIG. 8;
FIG. 12 is a right side view of the embodiment of FIG. 8;
FIG. 13 is a top view of the embodiment of FIG. 8; and,
FIG. 14 is a bottom view of the embodiment of FIG. 8.
The ornamental design which is claimed is shown in solid lines in the figures. The broken line showing of the solar panel is for illustrative purposes only and forms no part of the claimed design. Broken lines formed by equal length dashes show unclaimed portions of the design. The broken lines shown represent unclaimed subject matter and form no part of the claimed design.

1 Claim, 12 Drawing Sheets



(56)

References Cited

U.S. PATENT DOCUMENTS

D697,023 S * 1/2014 Fallon D13/102
D697,864 S * 1/2014 McGrath D13/102
D701,488 S * 3/2014 Lim D13/102
D717,987 S 11/2014 Prommel et al.
D723,205 S 2/2015 Prommel et al.
D724,012 S * 3/2015 Zhan D13/102
D729,156 S * 5/2015 Nook D13/102
D731,408 S * 6/2015 Ko D13/102
D734,248 S * 7/2015 Nook D13/102
2003/0034062 A1* 2/2003 Stern H01L 31/048
136/244
2011/0162690 A1 7/2011 Workman et al.

OTHER PUBLICATIONS

U.S. Appl. No. 14/096,837, filed Jun. 12, 2014, Goal Zero LLC.
U.S. Appl. No. 14/191,070, filed Aug. 28, 2014, Goal Zero LLC
U.S. Appl. No. 12/945,583, filed Nov. 12, 2010, Workman et al.
U.S. Appl. No. 61/262,796, filed Nov. 19, 2009, Workman et al.
U.S. Appl. No. 61/335,463, filed Jan. 6, 2010, Workman et al.
U.S. Appl. No. 62/201,062, filed Aug. 4, 2015, Goal Zero LLC.
U.S. Appl. No. 62/201,100, filed Aug. 4, 2015, Goal Zero LLC.

* cited by examiner

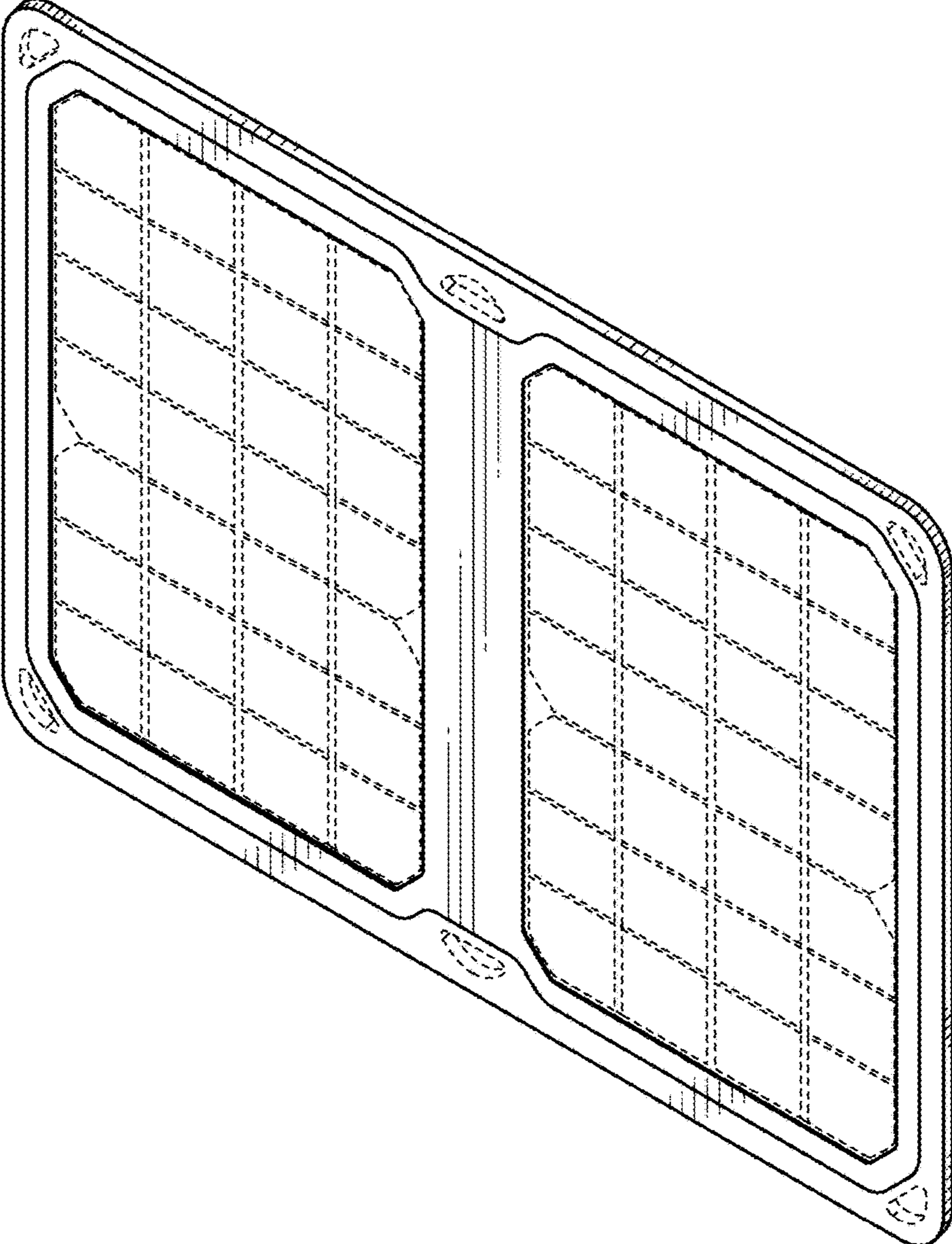


FIG. 1

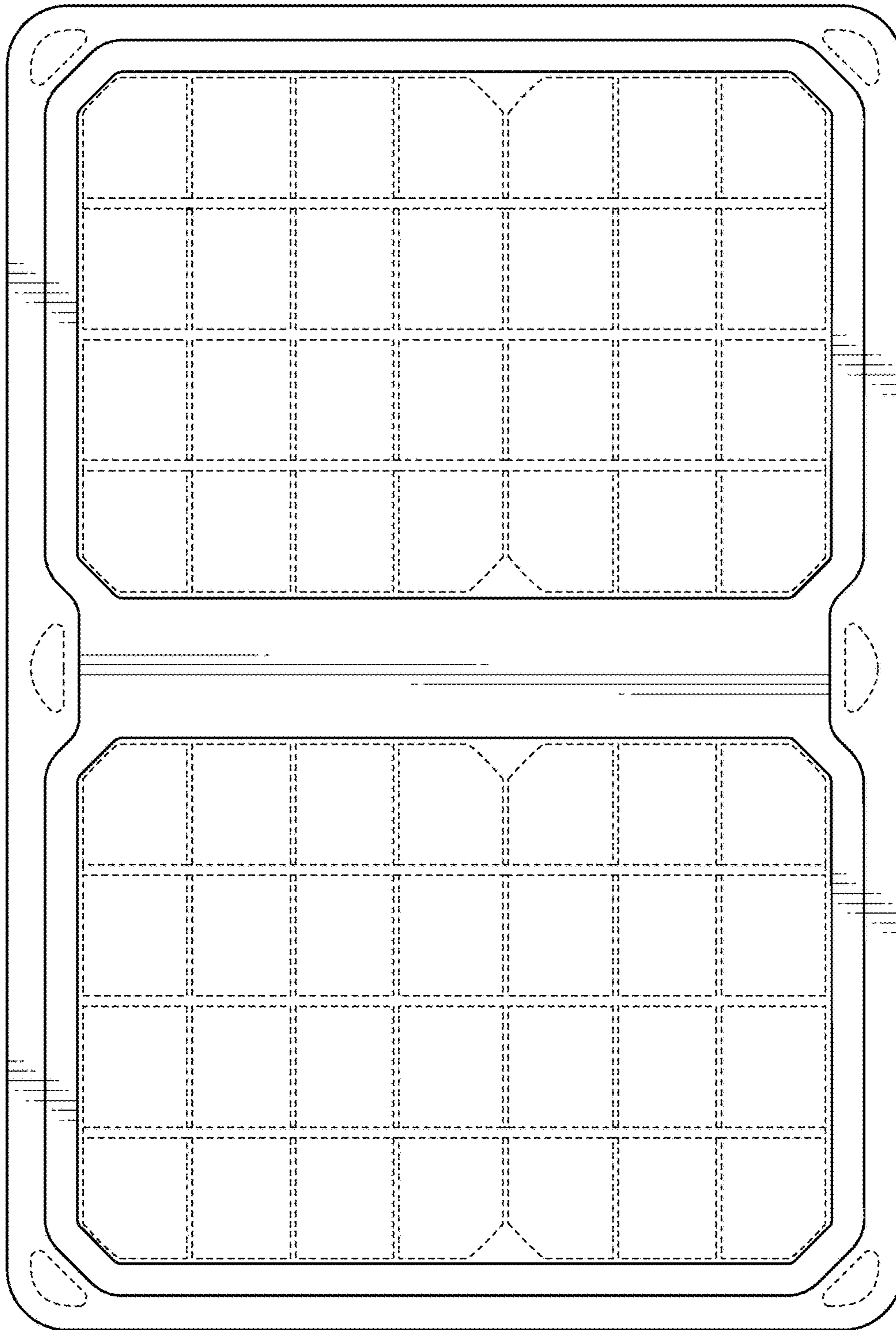


FIG. 2

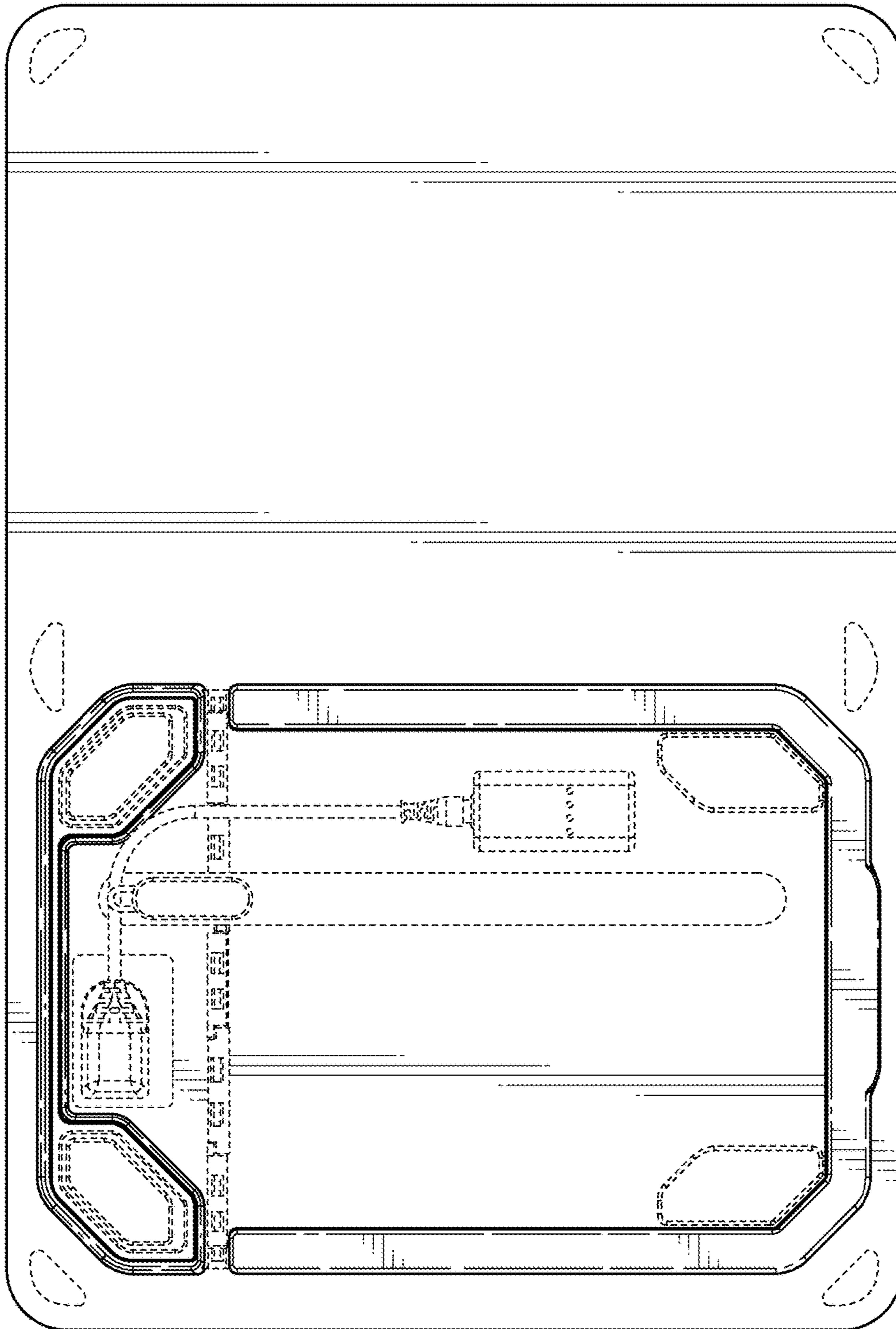


FIG. 3

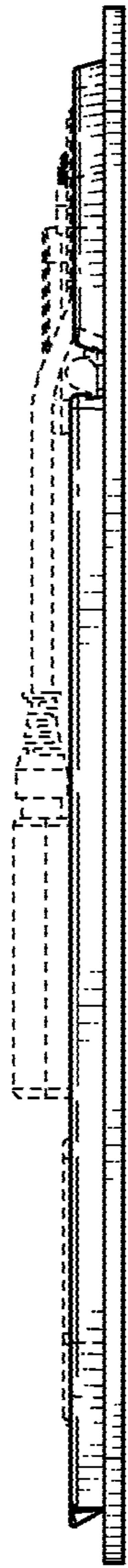


FIG. 4



FIG. 5

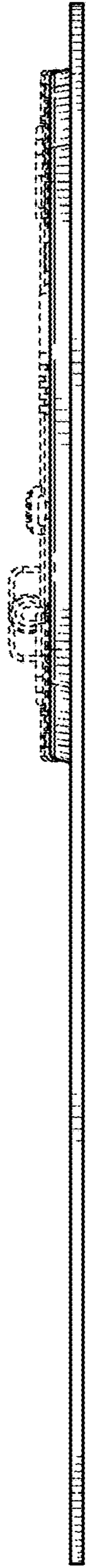


FIG. 6

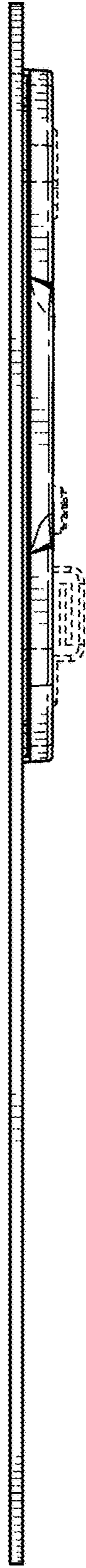


FIG. 7

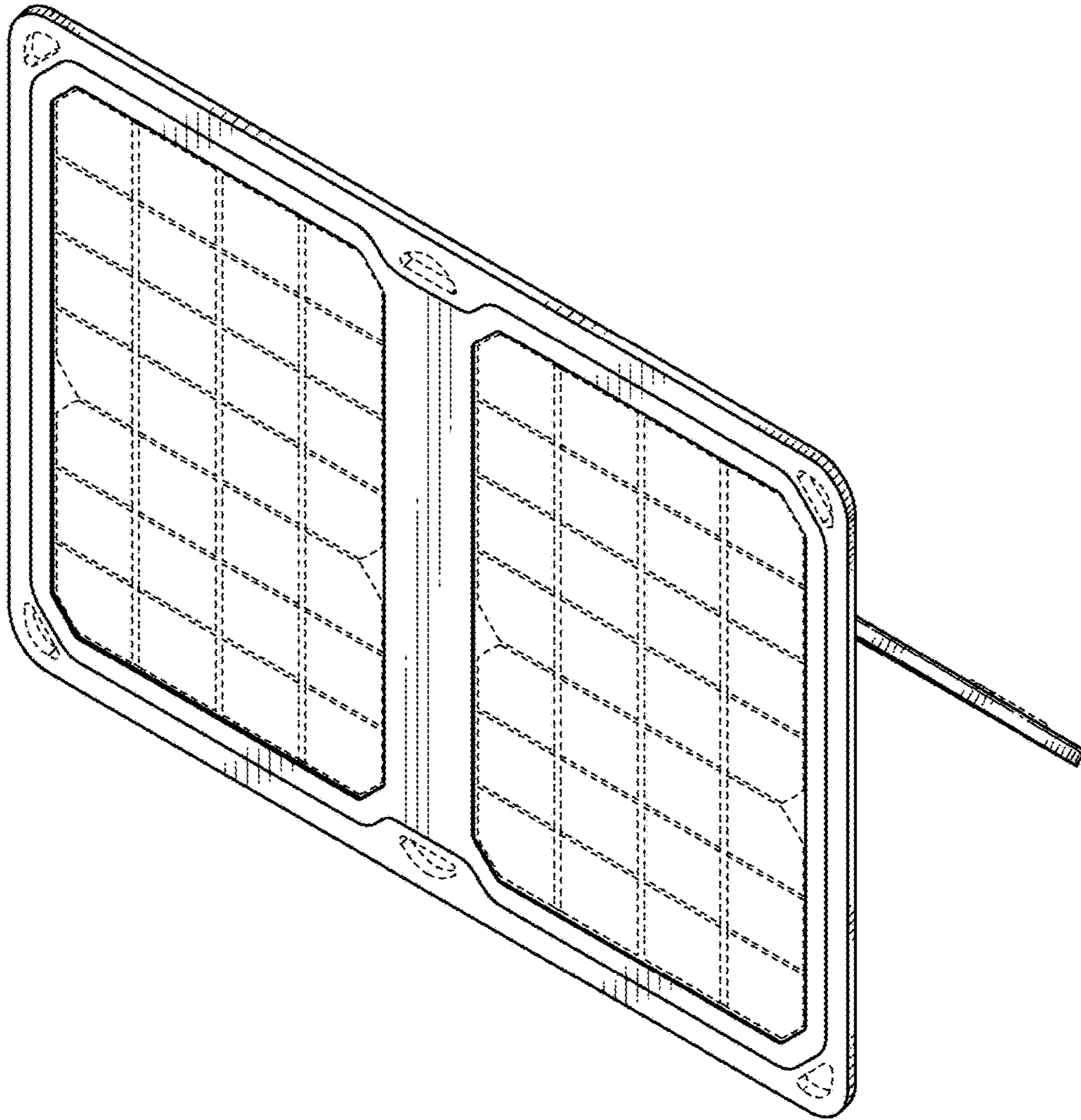


FIG. 8

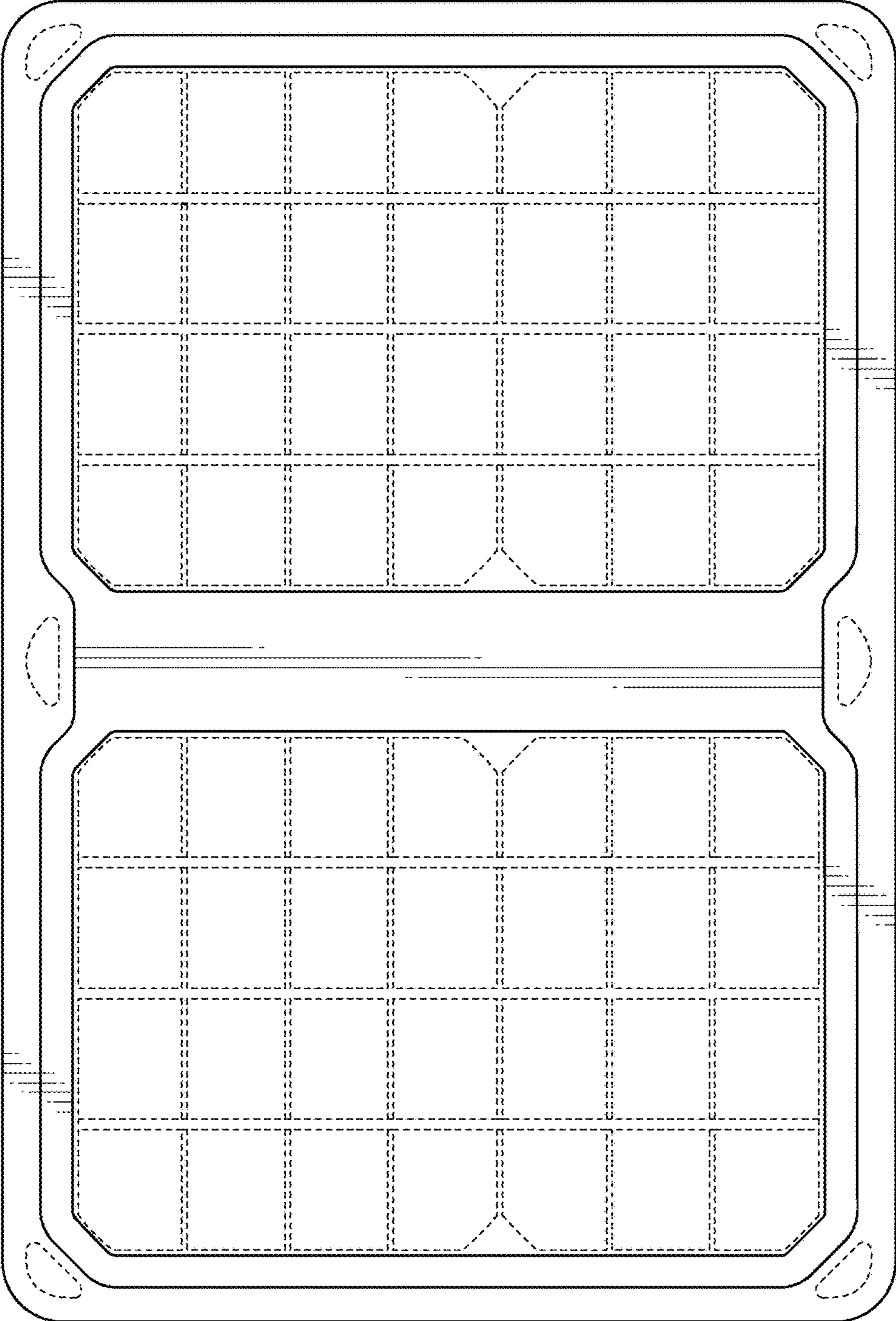


FIG. 9

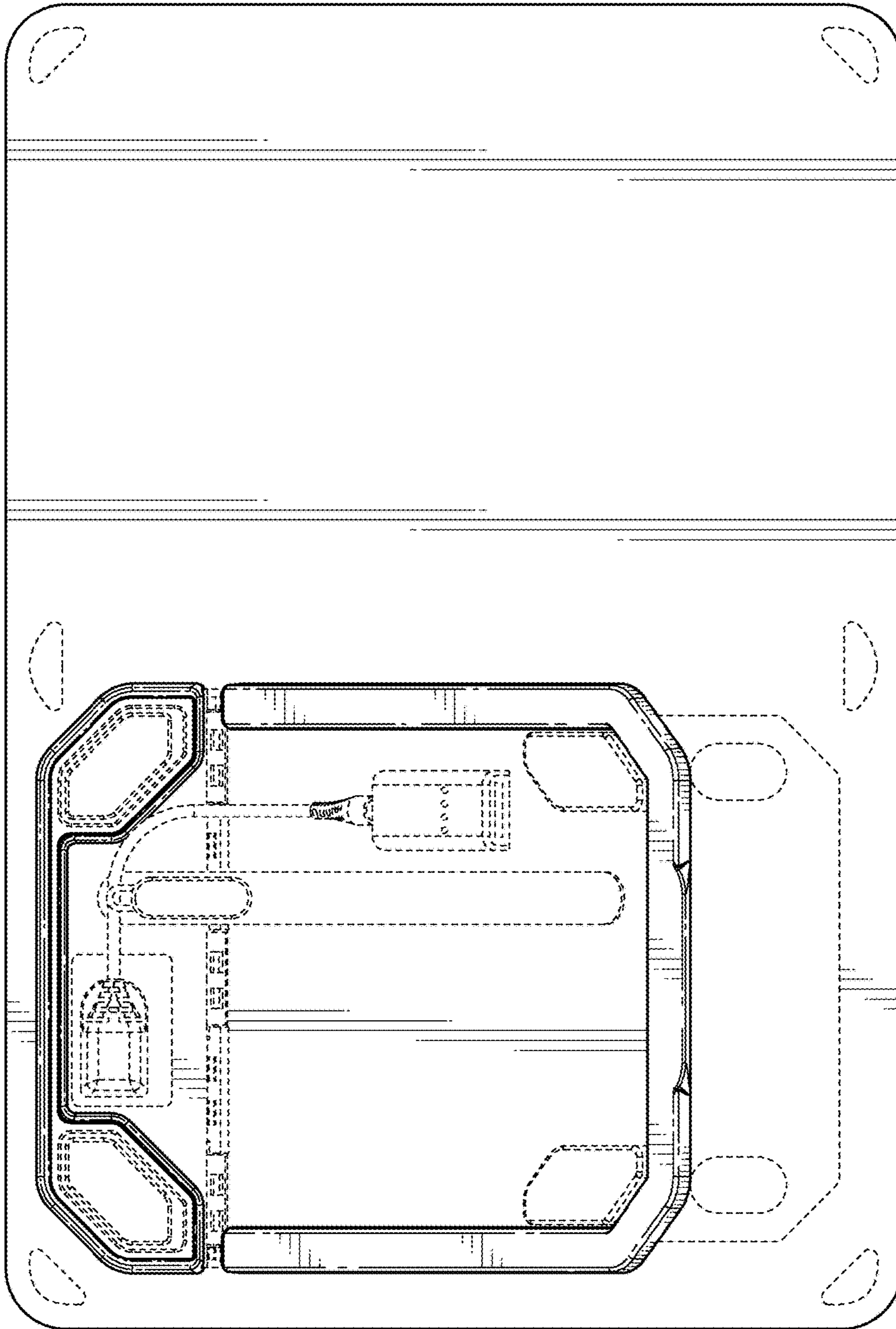


FIG. 10

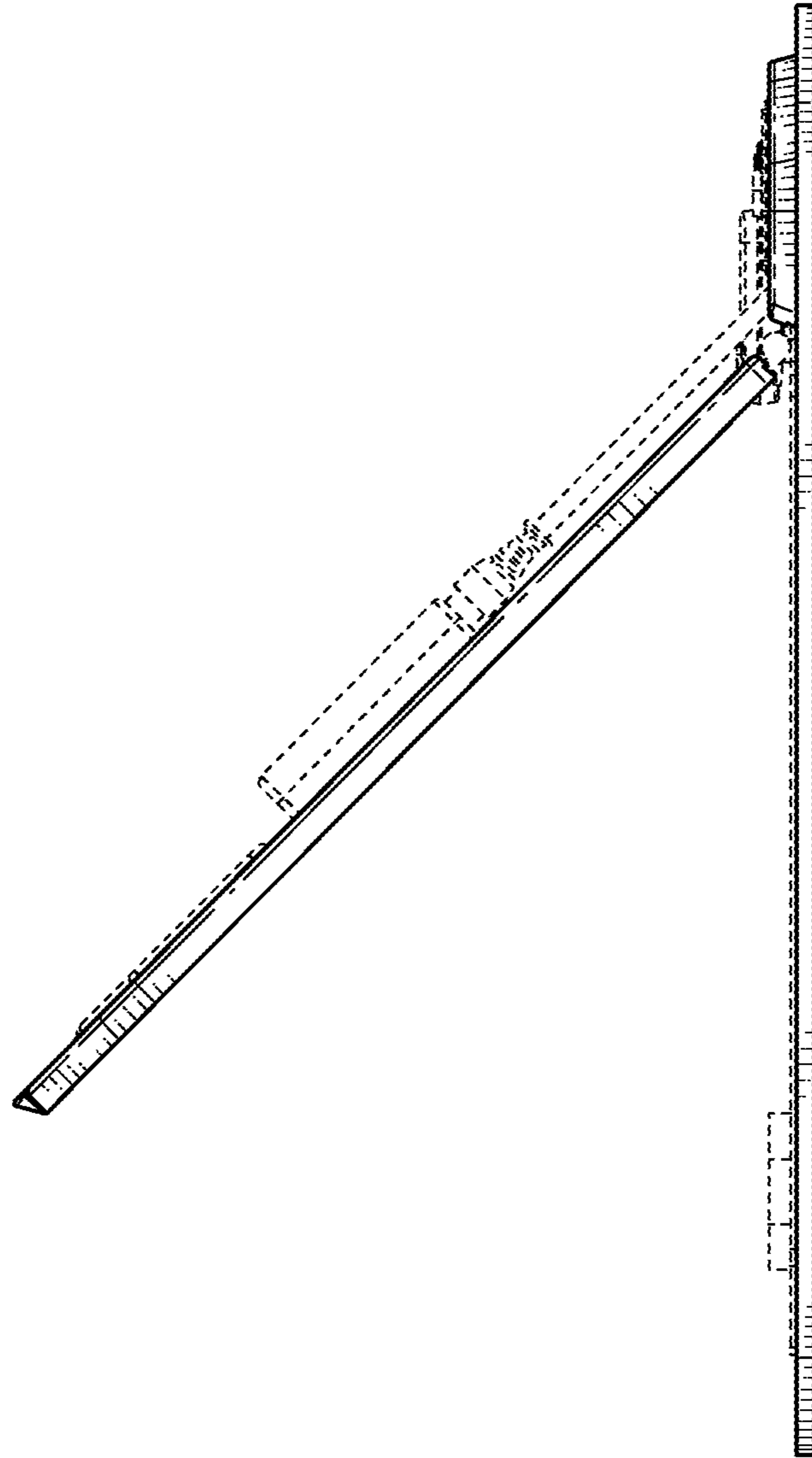


FIG. 11

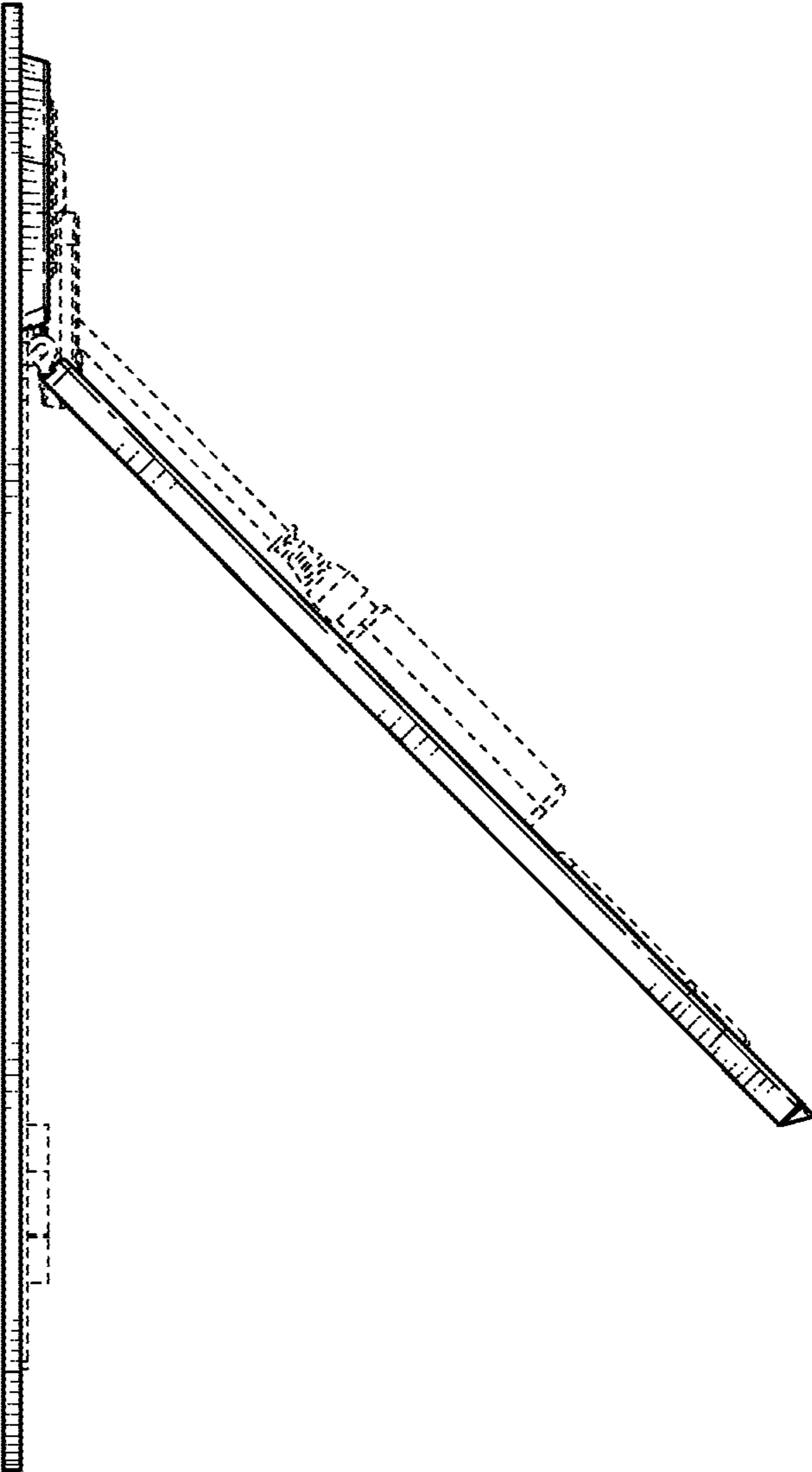


FIG. 12

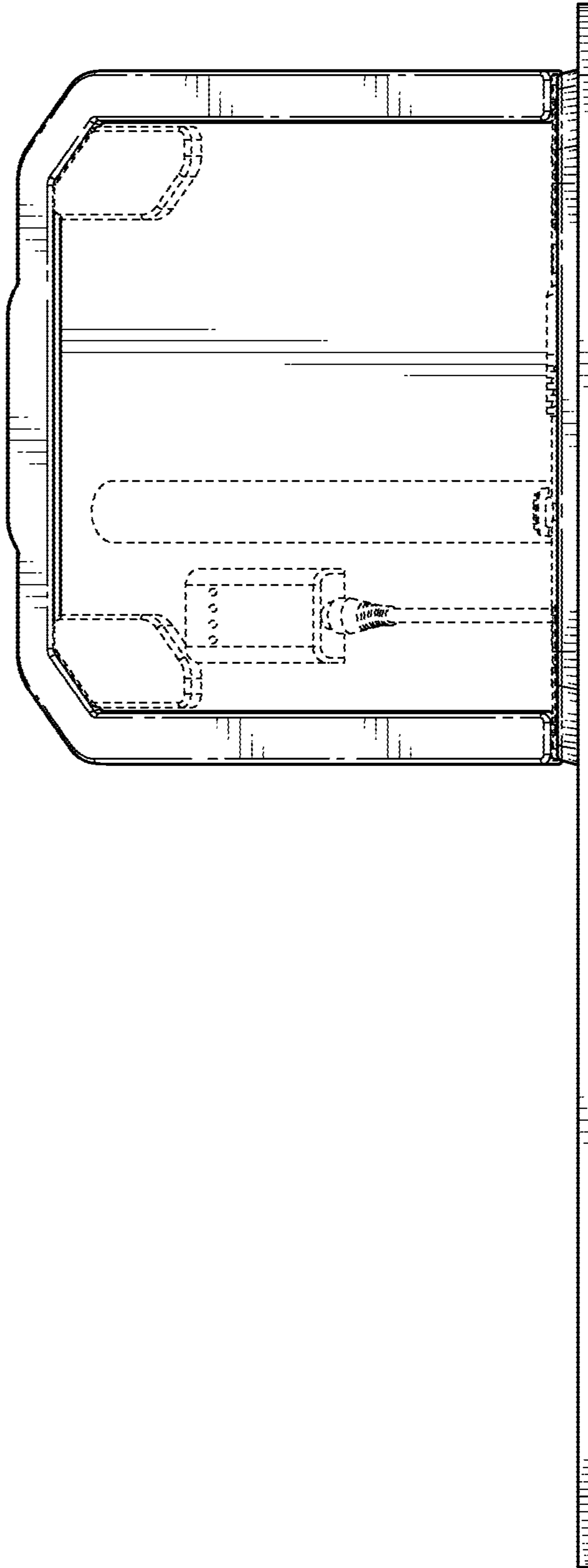


FIG. 13

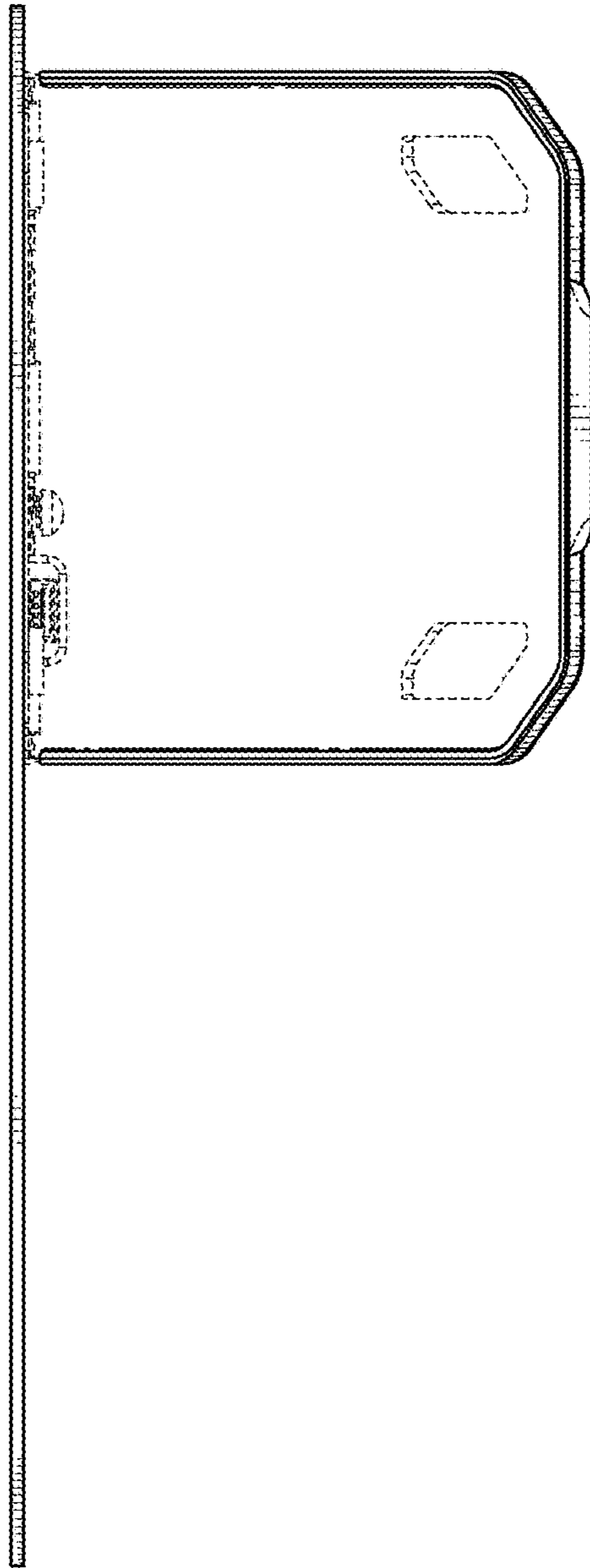


FIG. 14