



US00D807277S

(12) **United States Design Patent**
Lee et al.

(10) **Patent No.:** **US D807,277 S**
(45) **Date of Patent:** **** Jan. 9, 2018**

(54) **AUTOMOTIVE CENTER FASCIA**

FOREIGN PATENT DOCUMENTS

(71) Applicant: **SAMSUNG DISPLAY CO., LTD.**,
Yongin-si, Gyeonggi-do (KR)

KR 10-2014-0058309 A 5/2014

Primary Examiner — Katrina A Betton

(72) Inventors: **Jae-Won Lee**, Hwaseong-si (KR); **Jong Sung Bae**, Hwaseong-si (KR); **Mu Gyeom Kim**, Hwaseong-si (KR); **Kyoung-Eun Lee**, Seoul (KR); **Myoung Jin Lee**, Seoul (KR)

(74) *Attorney, Agent, or Firm* — Lewis Roca Rothgerber Christie LLP

(73) Assignee: **Samsung Display Co., Ltd.**, Yongin-si (KR)

(57) **CLAIM**

The ornamental design for an automotive center fascia, as shown and described.

(**) Term: **15 Years**

DESCRIPTION

(21) Appl. No.: **29/539,562**

FIG. 1 is a perspective view of a first embodiment of an automotive center fascia;

(22) Filed: **Sep. 15, 2015**

FIG. 2 is a front view of the first embodiment;

(30) **Foreign Application Priority Data**

Mar. 16, 2015 (KR) 30-2015-0013206

FIG. 3 is a rear view of the first embodiment;

(51) **LOC (11) Cl.** **12-16**

FIG. 4 is a left-side view of the first embodiment;

(52) **U.S. Cl.**

USPC **D12/415**

FIG. 5 is a right-side view of the first embodiment;

(58) **Field of Classification Search**

USPC D12/415, 416-420, 400, 191, 106, 195, D12/345, 96, 99

FIG. 6 is a top view of the first embodiment;

CPC ... B60R 7/06; B60R 11/02; B60R 2011/0005; B60R 2011/0012; A61L 9/04

FIG. 7 is a bottom view of the first embodiment;

See application file for complete search history.

FIG. 8 is a perspective view of the first embodiment of the automotive center fascia with an image, such as icons, displayed thereon, the image forming no part of the claimed design;

(56) **References Cited**

U.S. PATENT DOCUMENTS

D764,386 S * 8/2016 Ahn D12/419
D767,470 S * 9/2016 Klabunde D12/415
D770,361 S * 11/2016 Chan D12/419
D783,505 S * 4/2017 Neal D12/400
D784,909 S * 4/2017 Lee D12/419
D786,171 S * 5/2017 Smallhorn D12/345

FIG. 9 is a perspective view of a second embodiment of an automotive center fascia;

FIG. 10 is a front view of the second embodiment;

FIG. 11 is a rear view of the second embodiment;

FIG. 12 is a left-side view of the second embodiment;

FIG. 13 is a right-side view of the second embodiment;

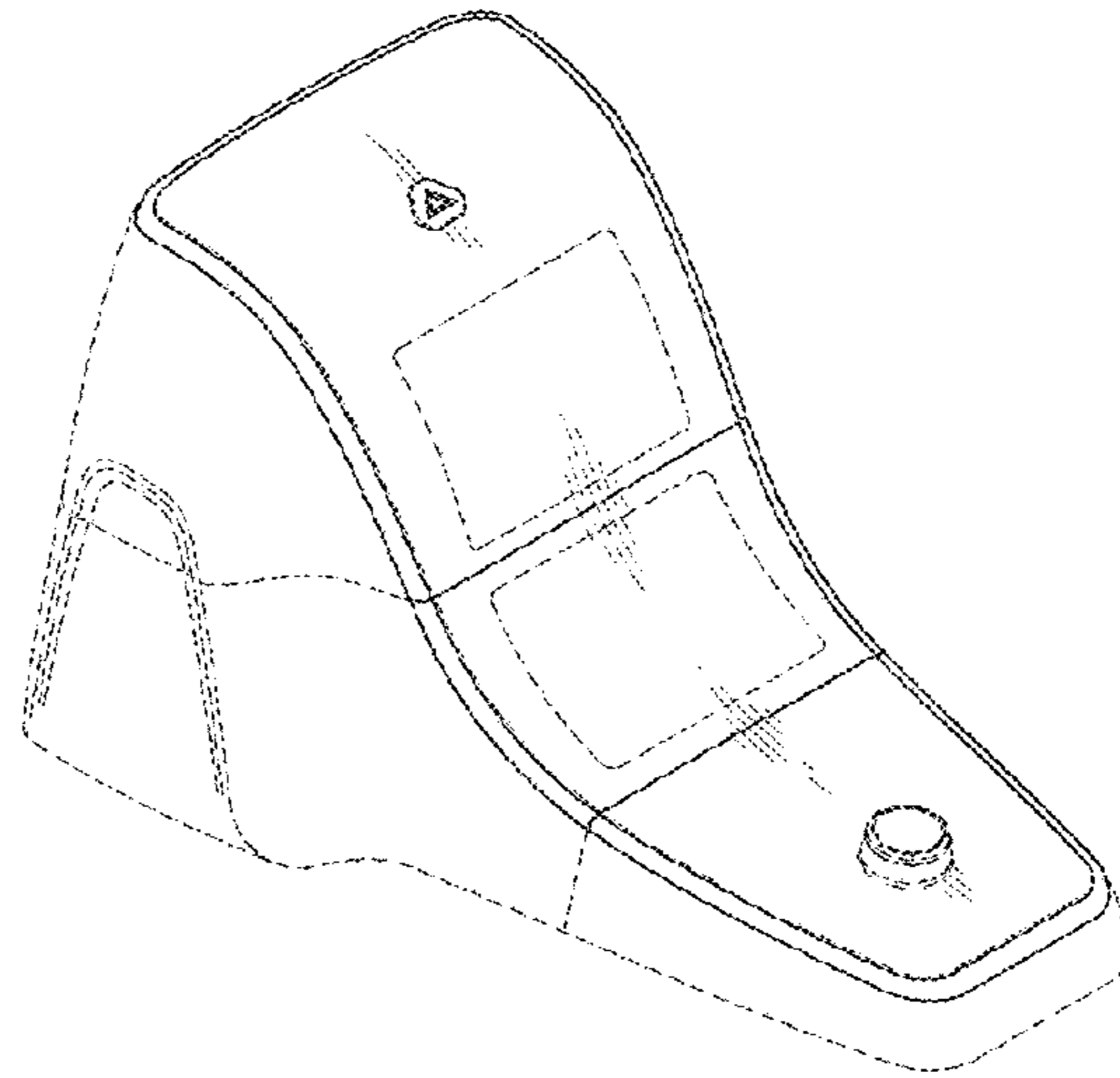
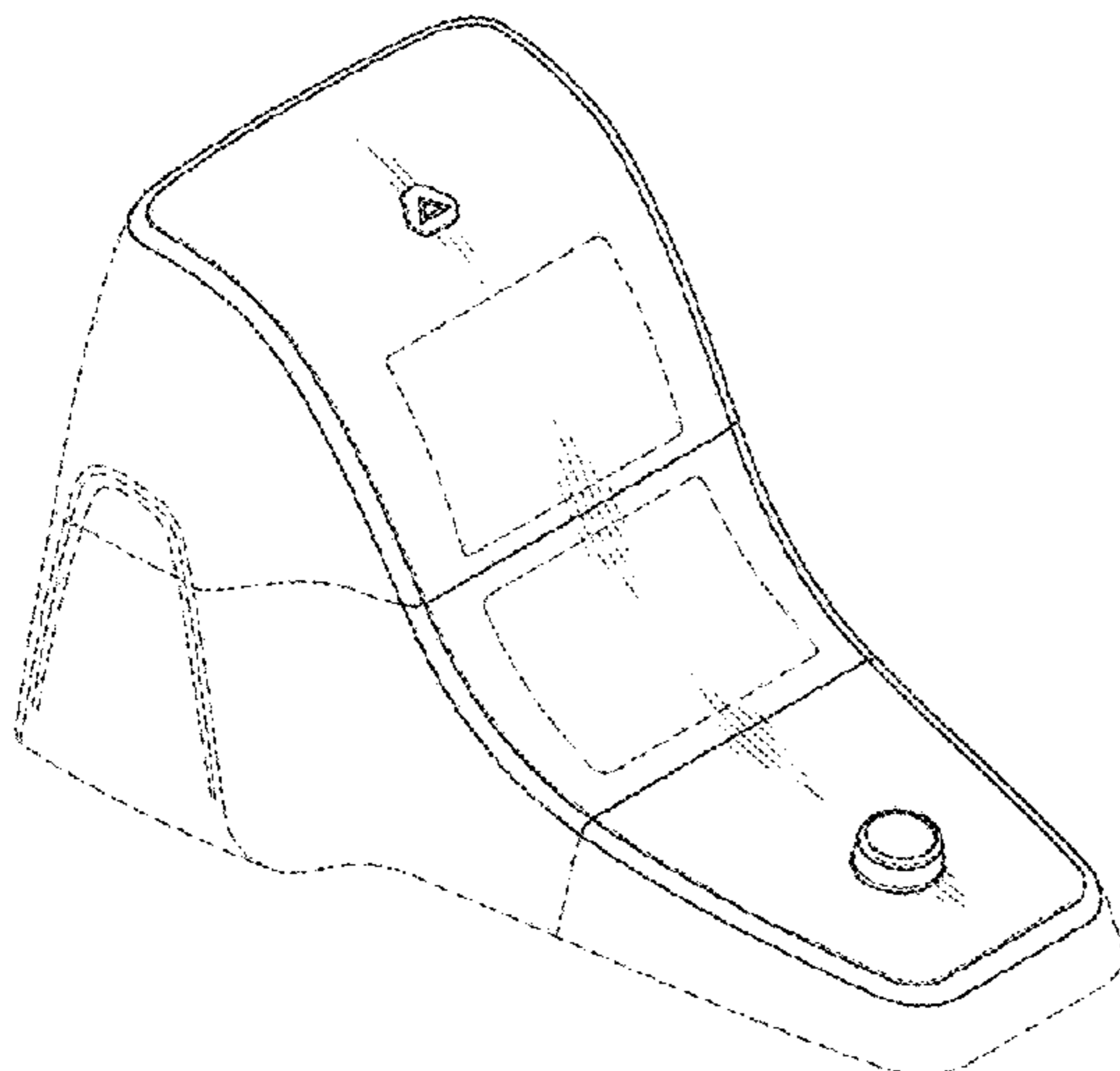
FIG. 14 is a top view of the second embodiment;

FIG. 15 is a bottom view of the second embodiment; and,

FIG. 16 is a perspective view of the second embodiment of the automotive center fascia with an image, such as icons, displayed thereon, the image forming no part of the claimed design.

The broken lines shown in the drawings illustrate portions of the automotive center fascia that form no part of the claimed design.

1 Claim, 16 Drawing Sheets



(56)

References Cited

U.S. PATENT DOCUMENTS

D786,770 S * 5/2017 Smallhorn D12/345
D787,420 S * 5/2017 Smallhorn D12/345
D787,423 S * 5/2017 Lin D12/415

* cited by examiner

FIG. 1

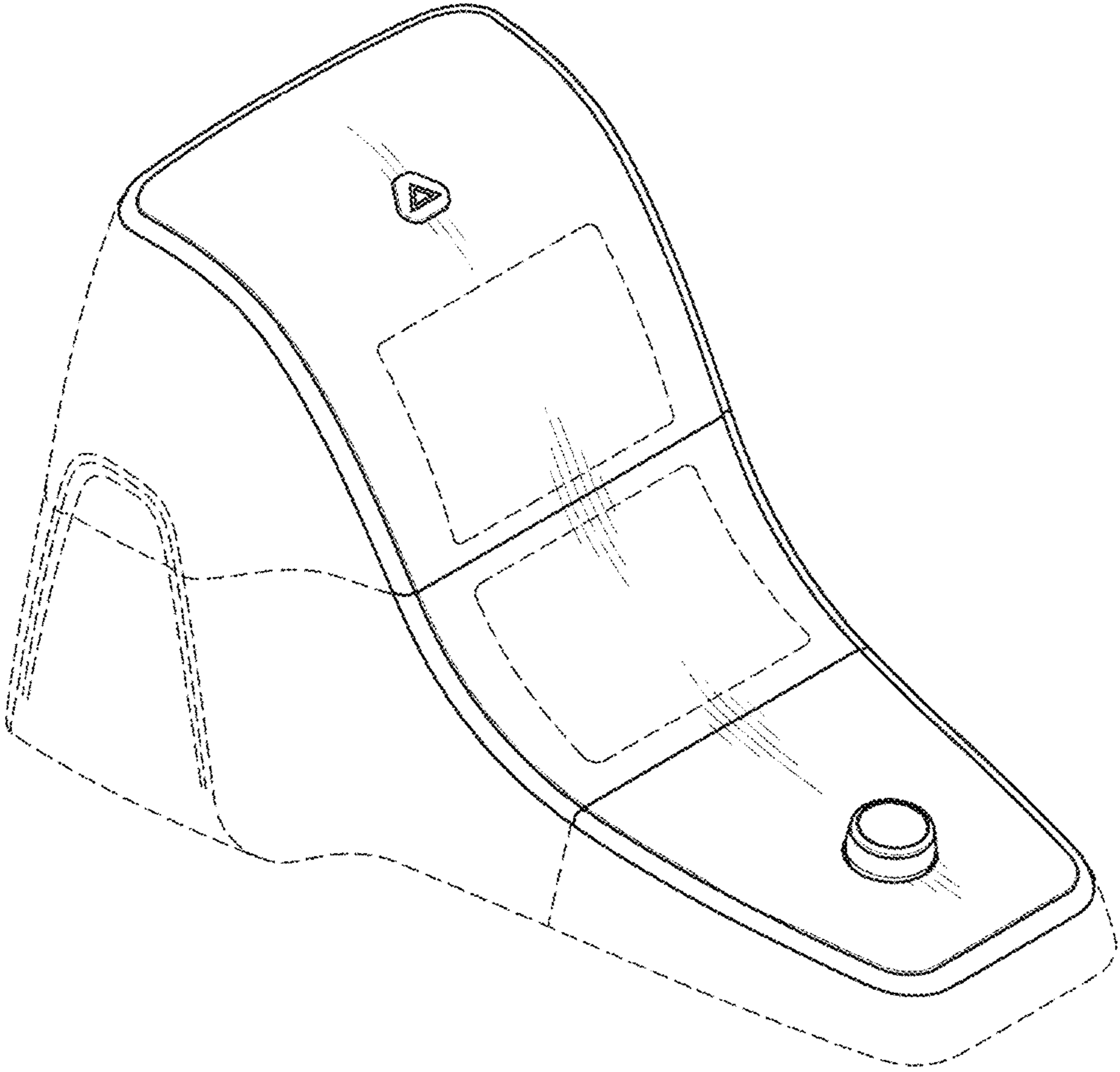


FIG. 2

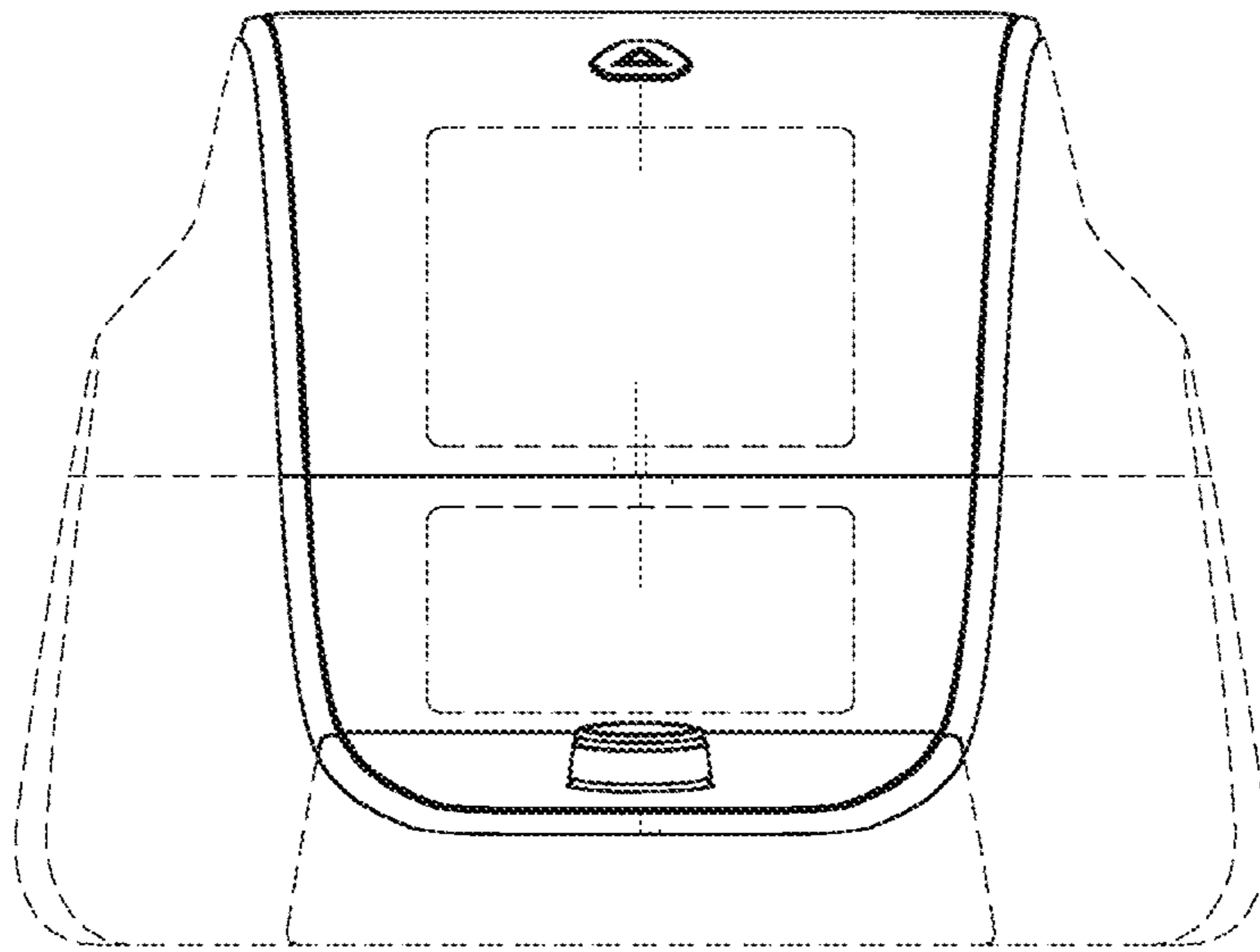


FIG. 3

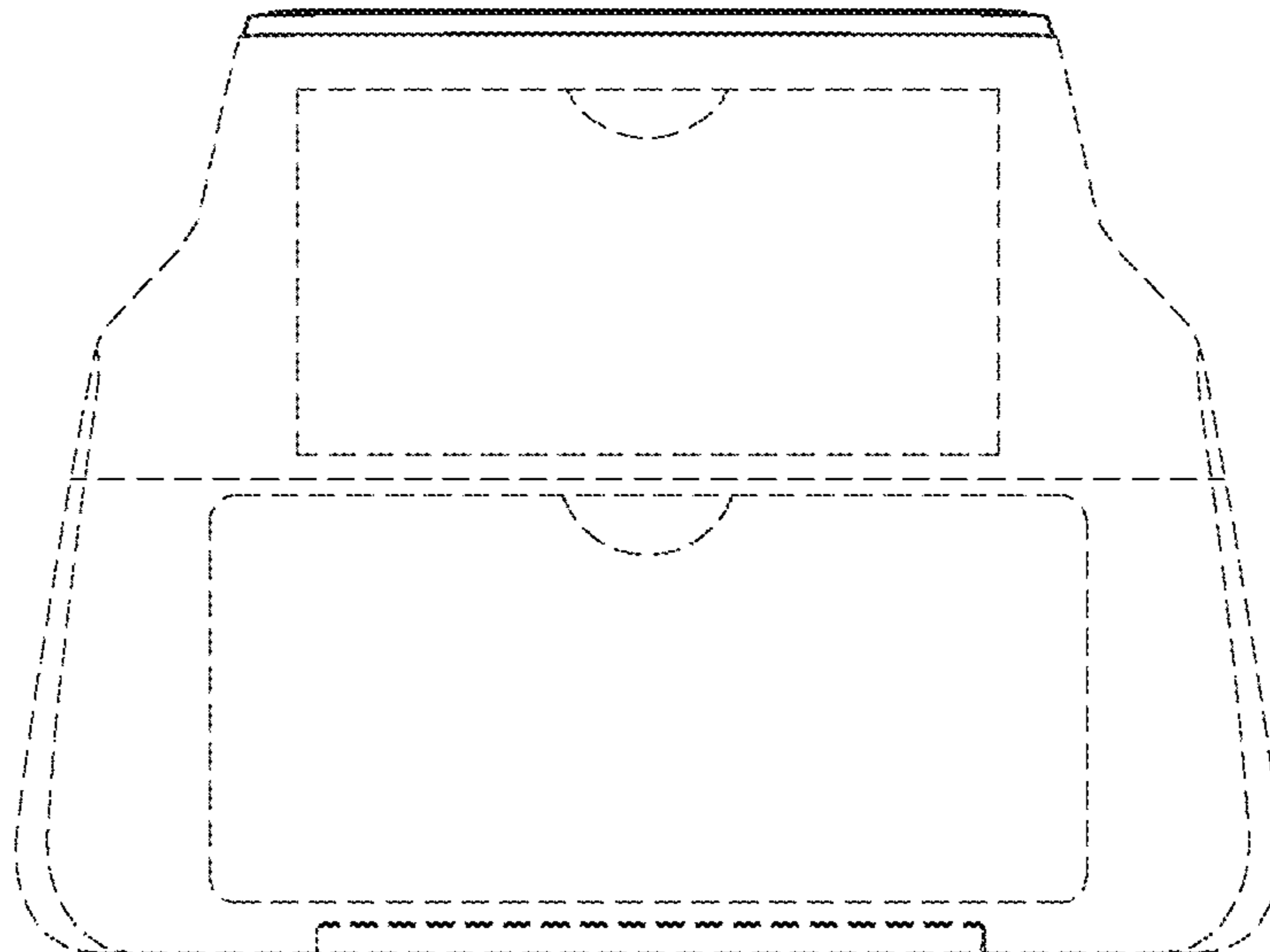


FIG. 4

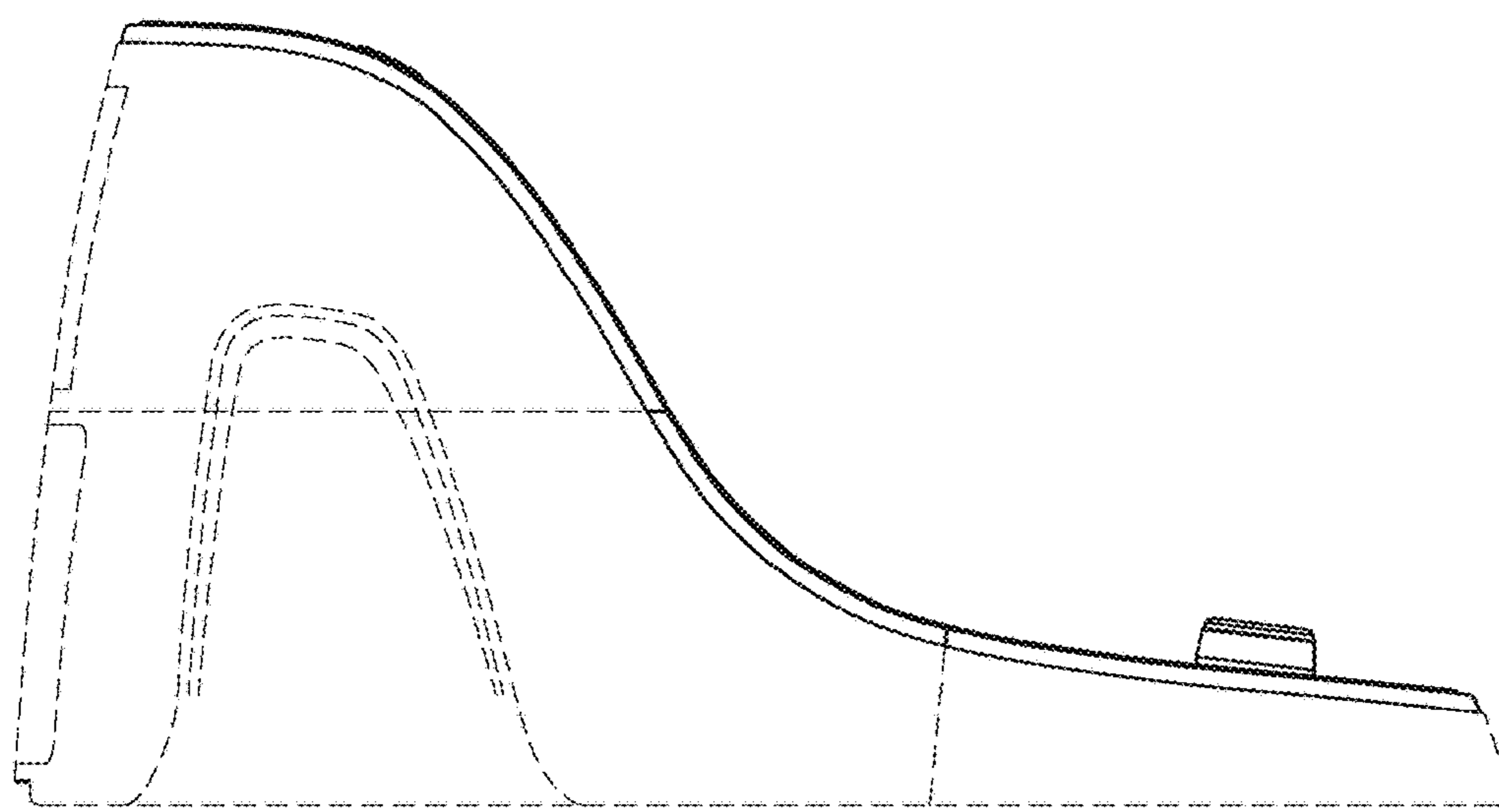


FIG. 5

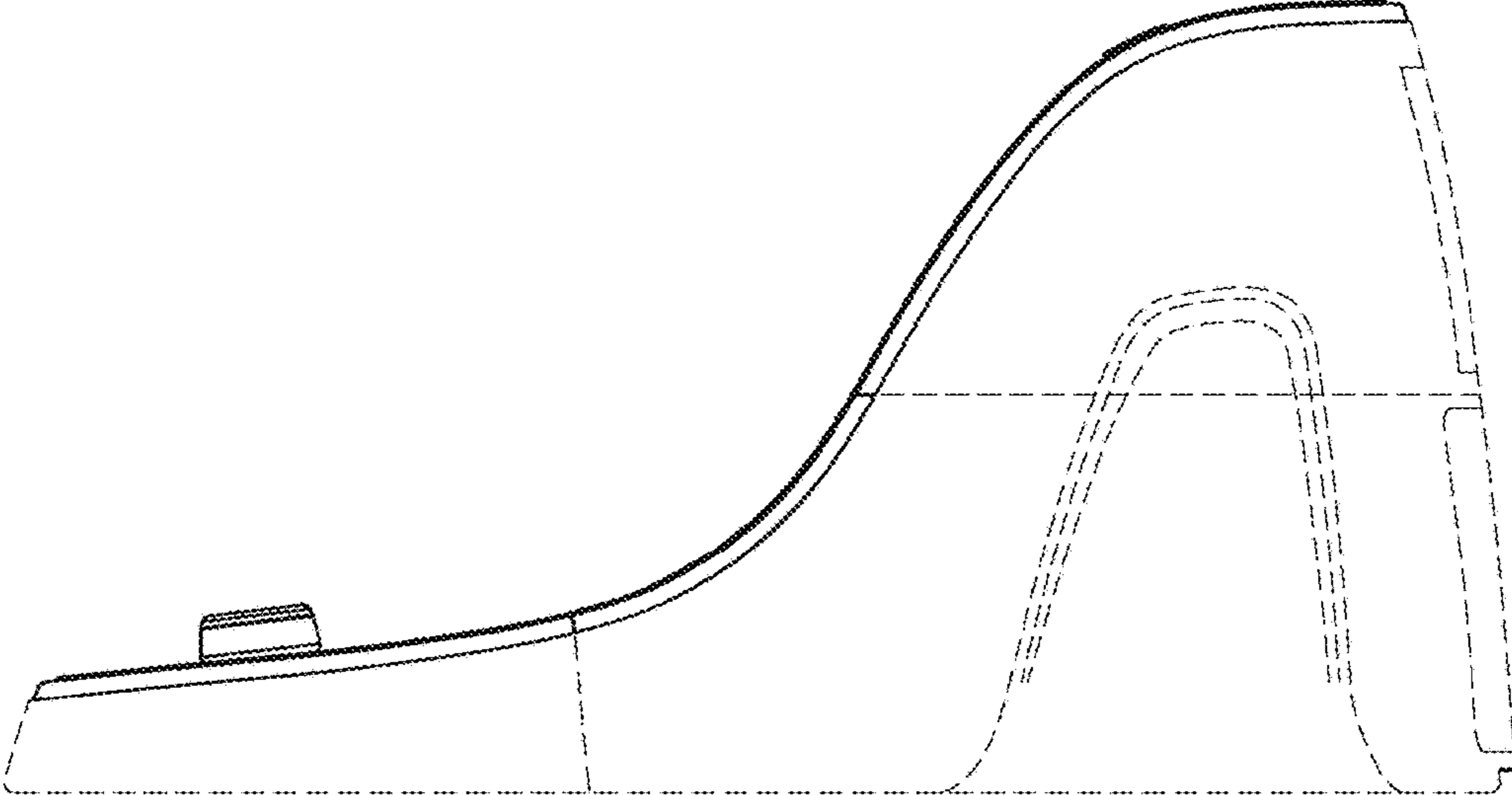


FIG. 6

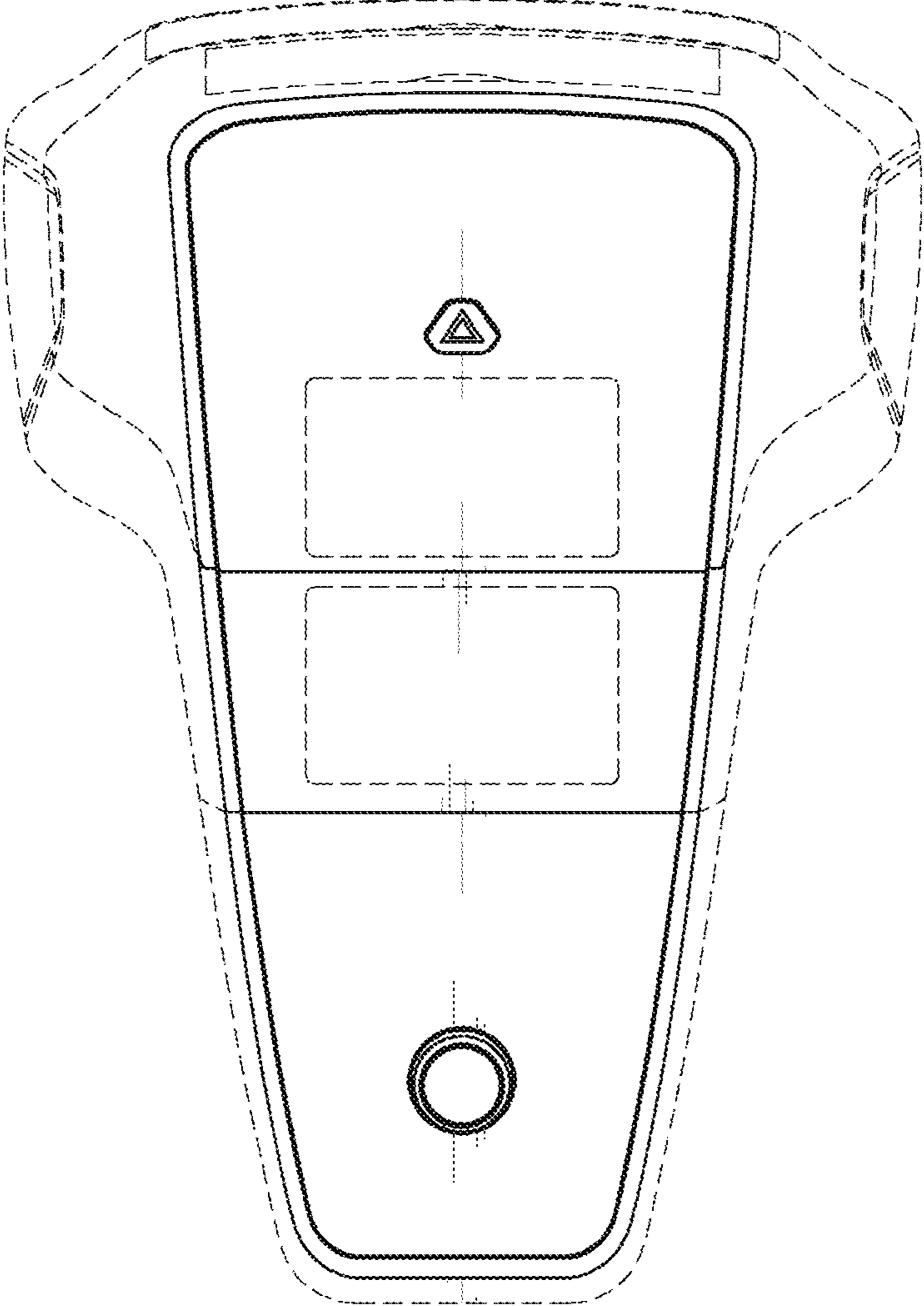


FIG. 7

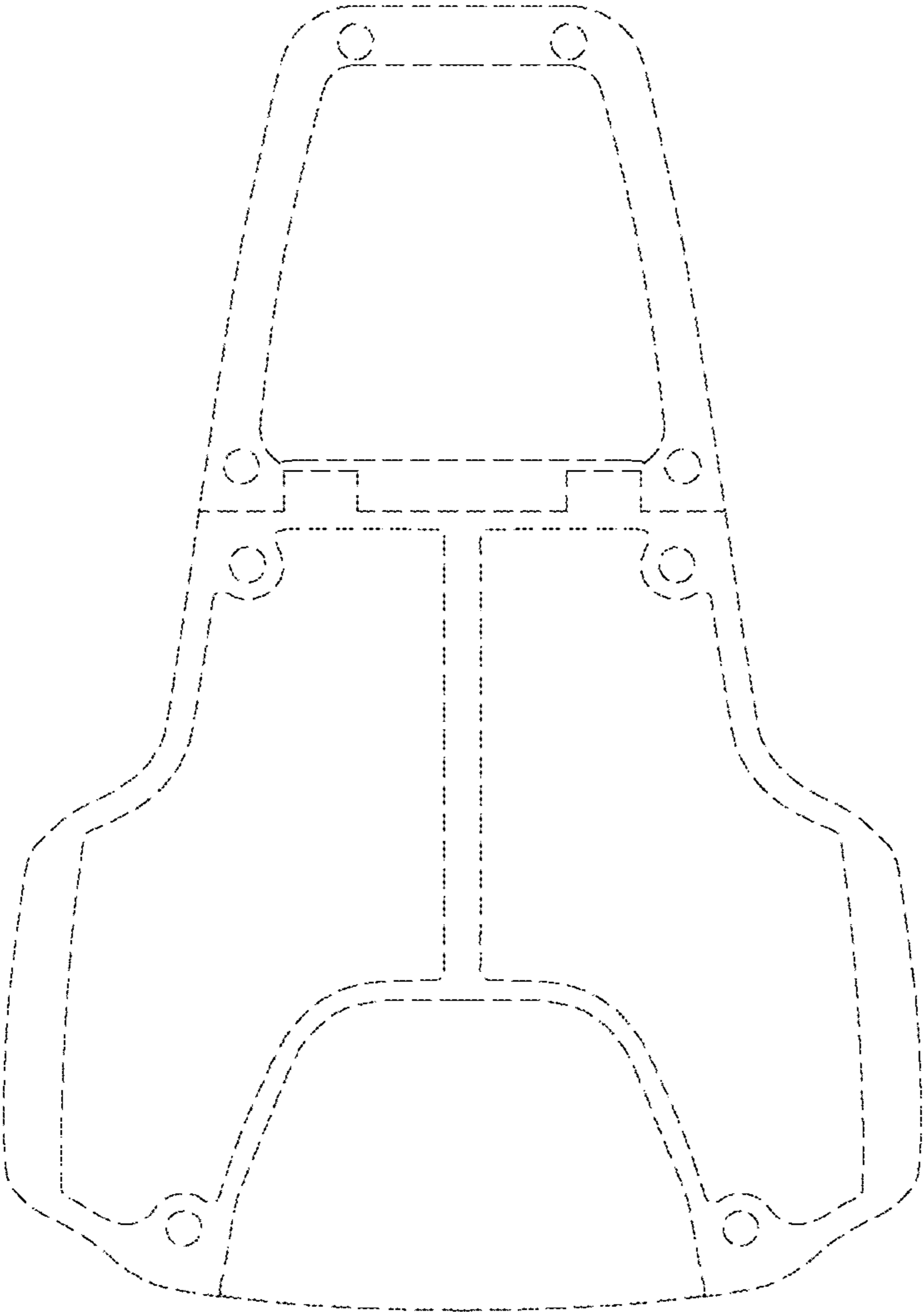


FIG. 8

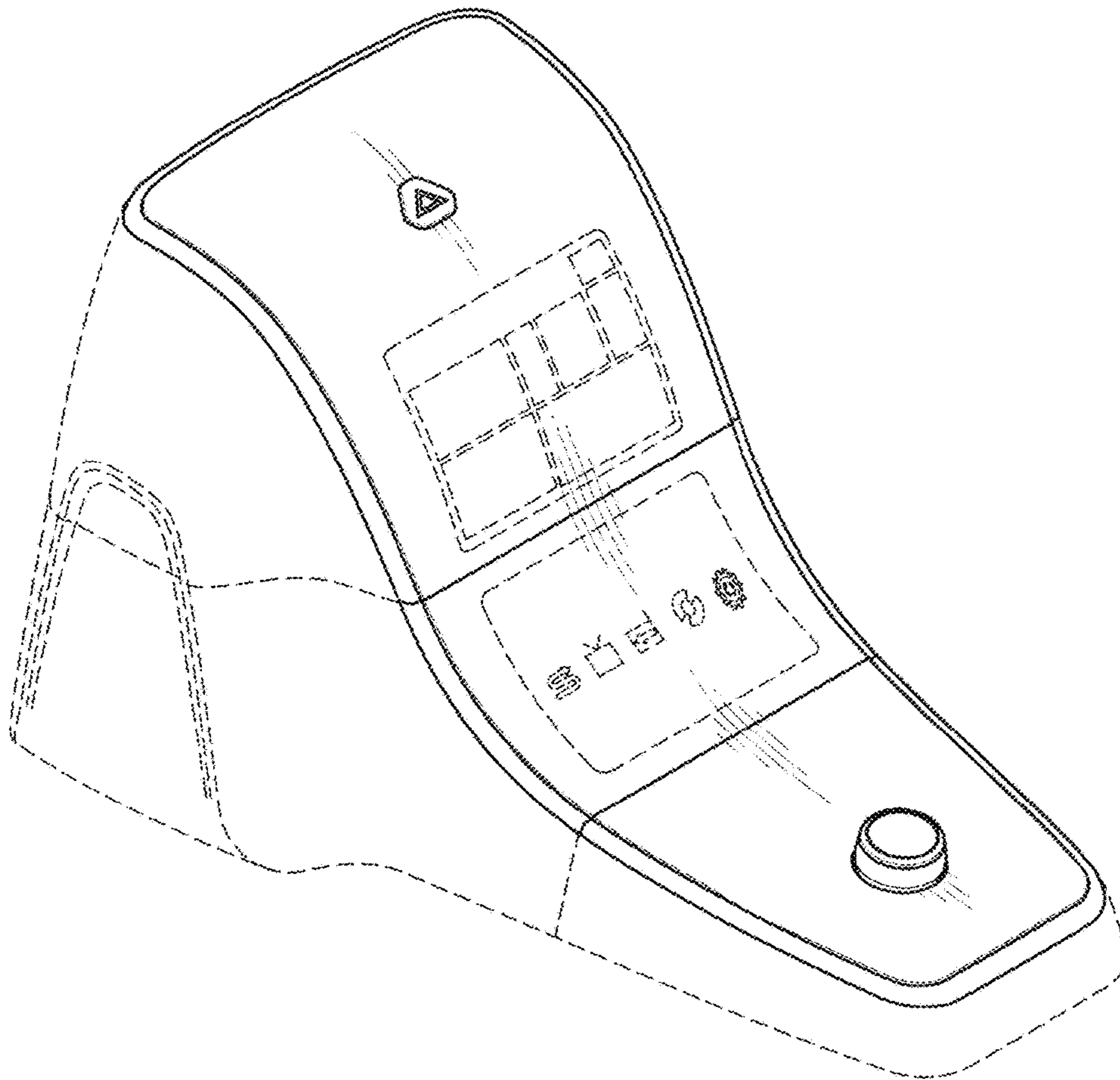


FIG. 9

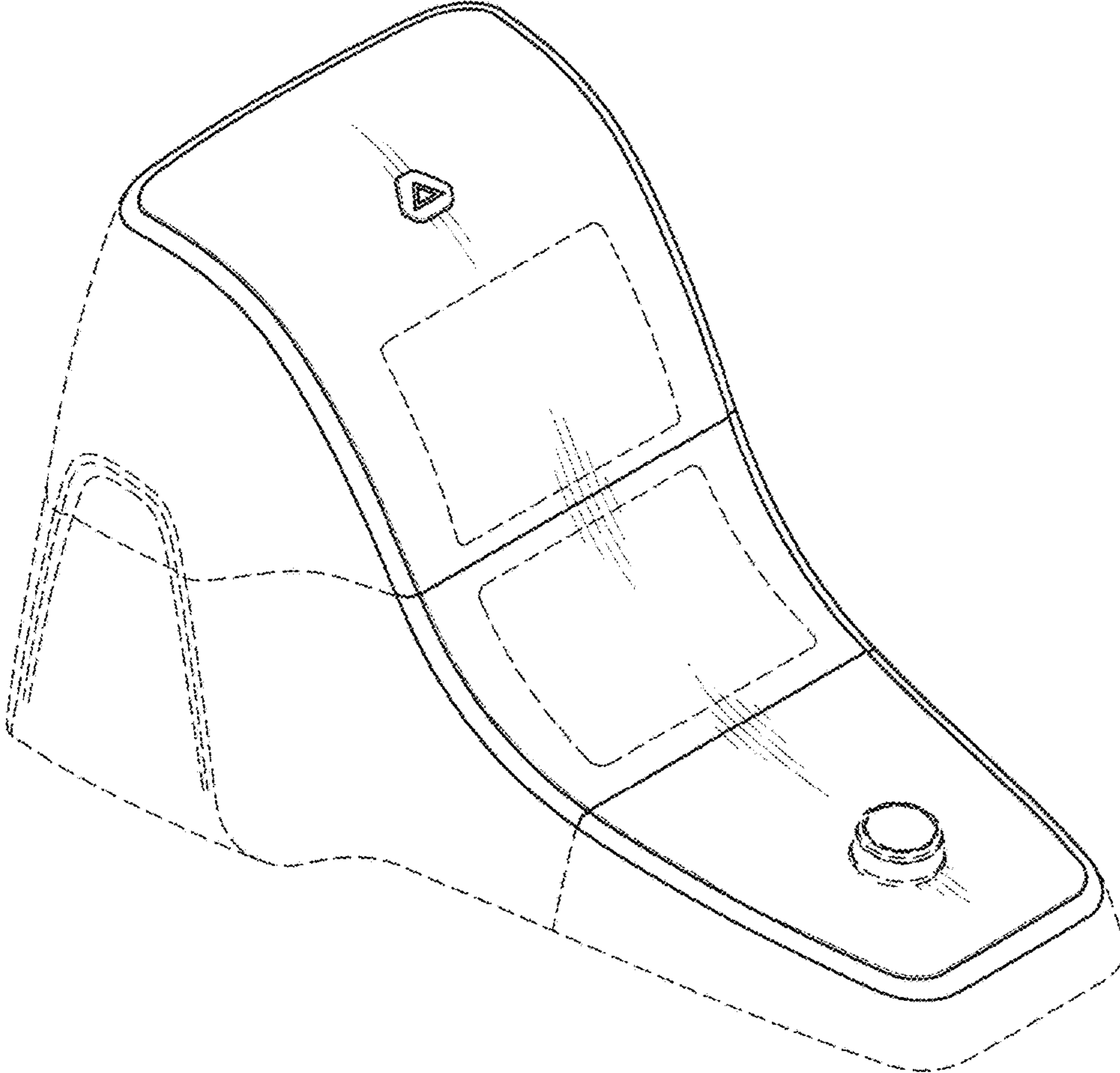


FIG. 10

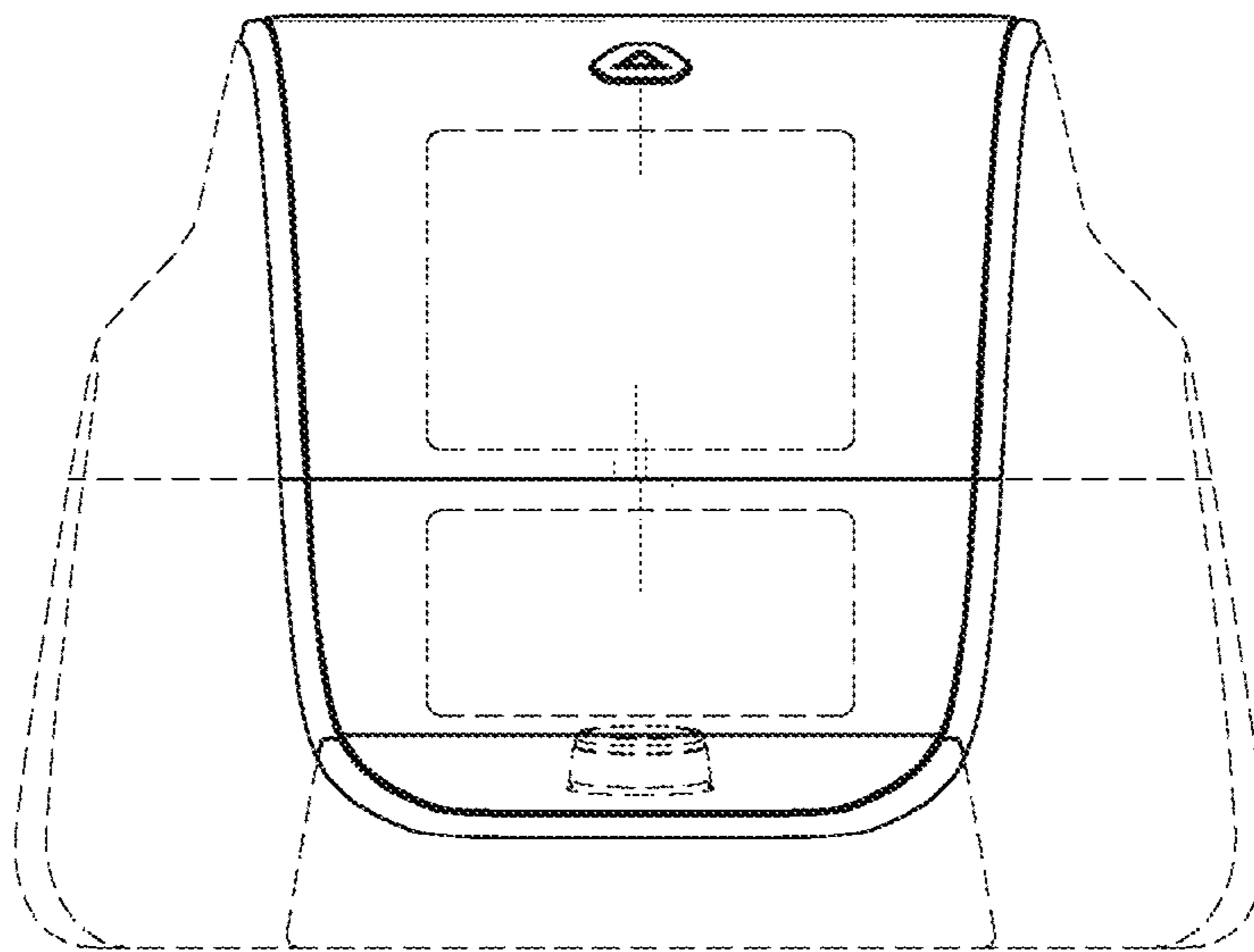


FIG. 11

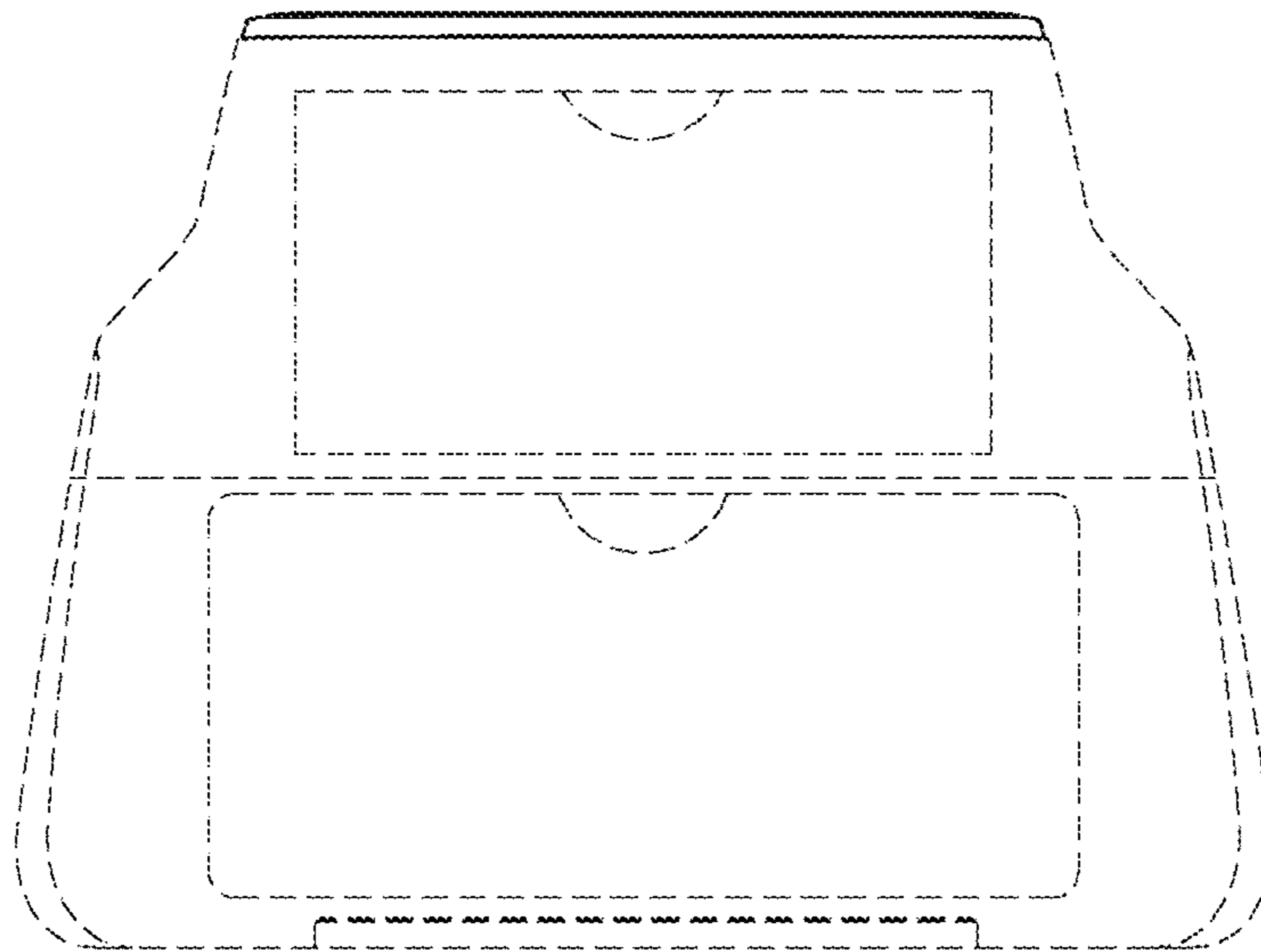


FIG. 12

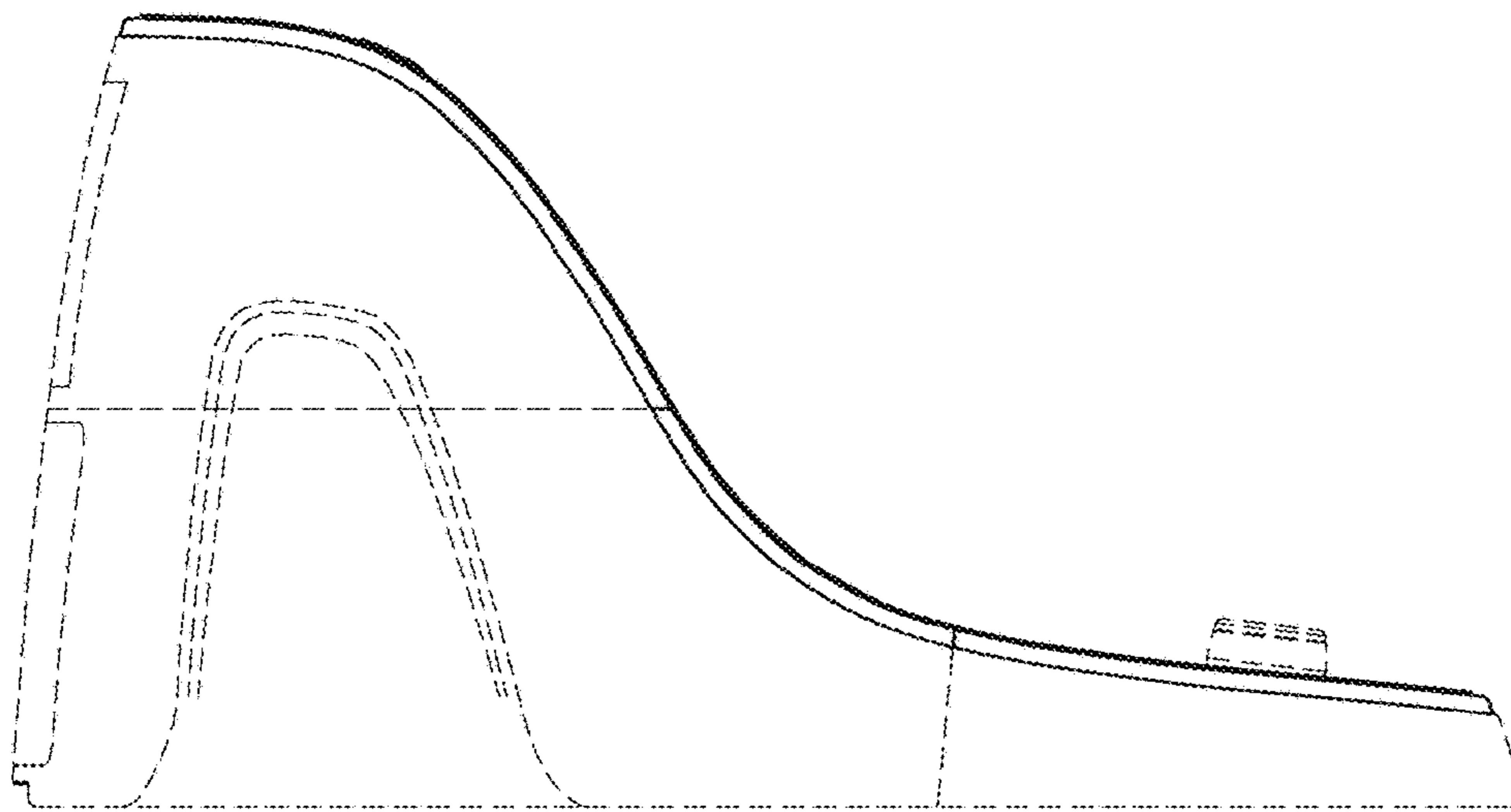


FIG. 13

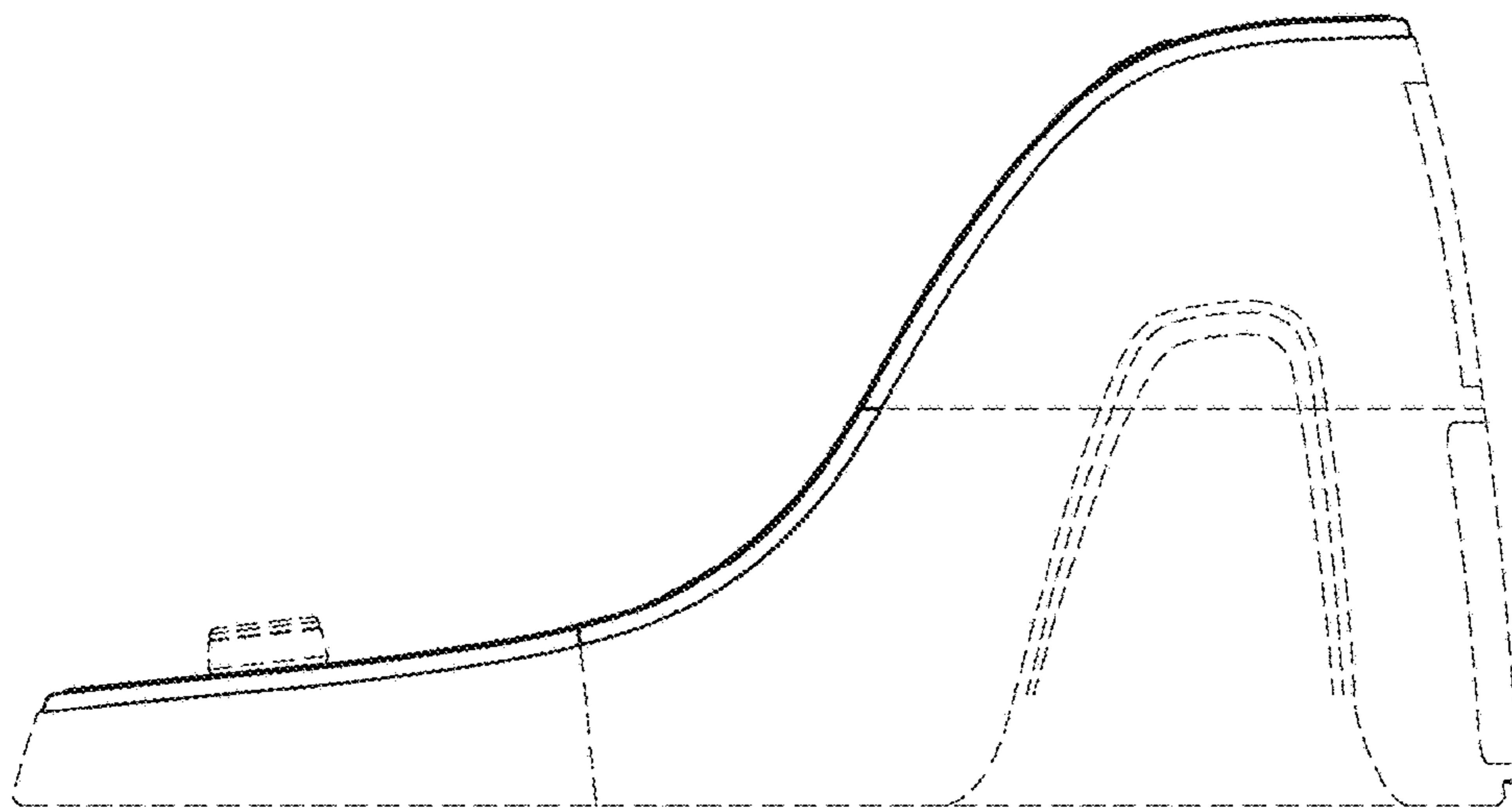


FIG. 14

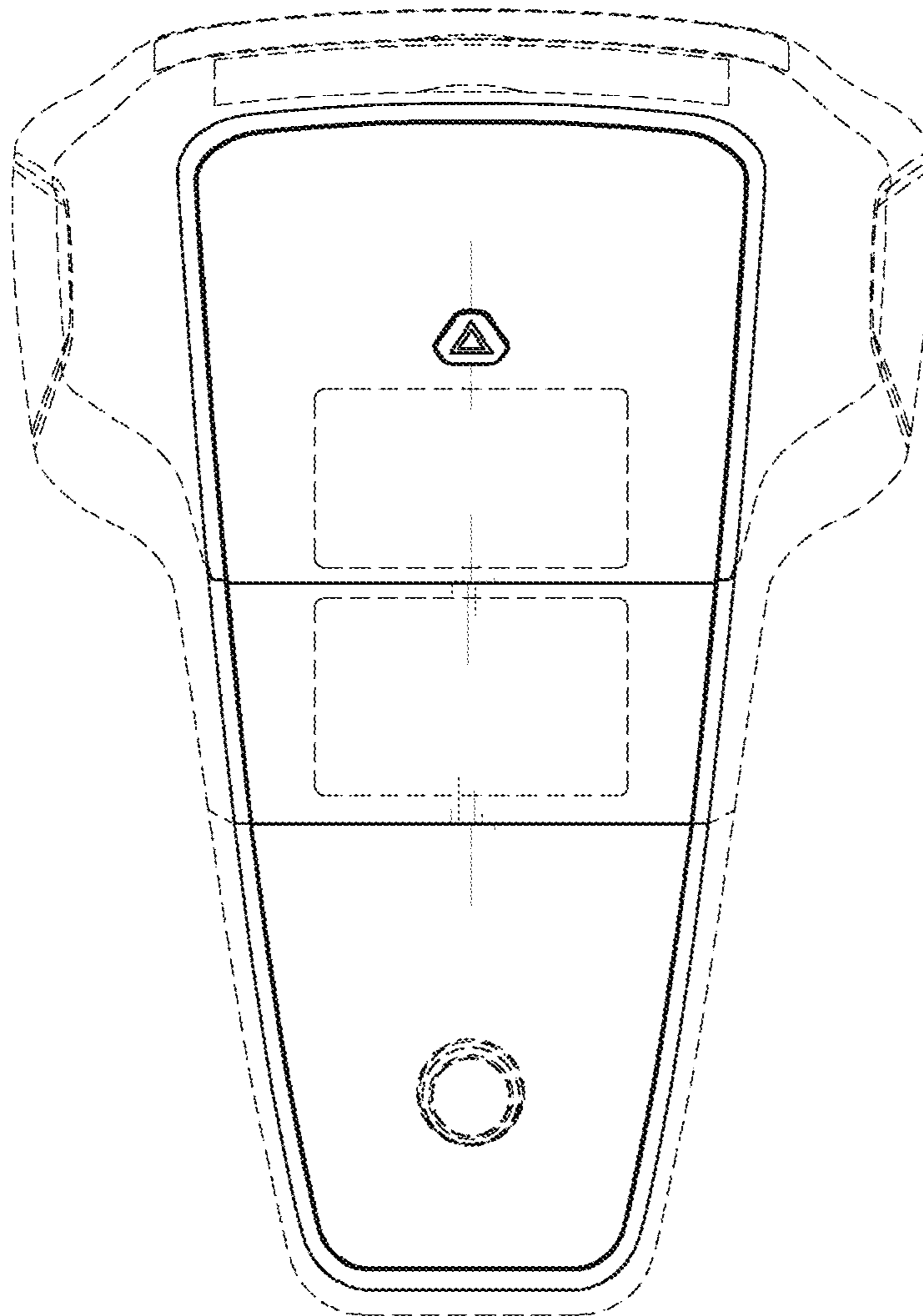


FIG. 15

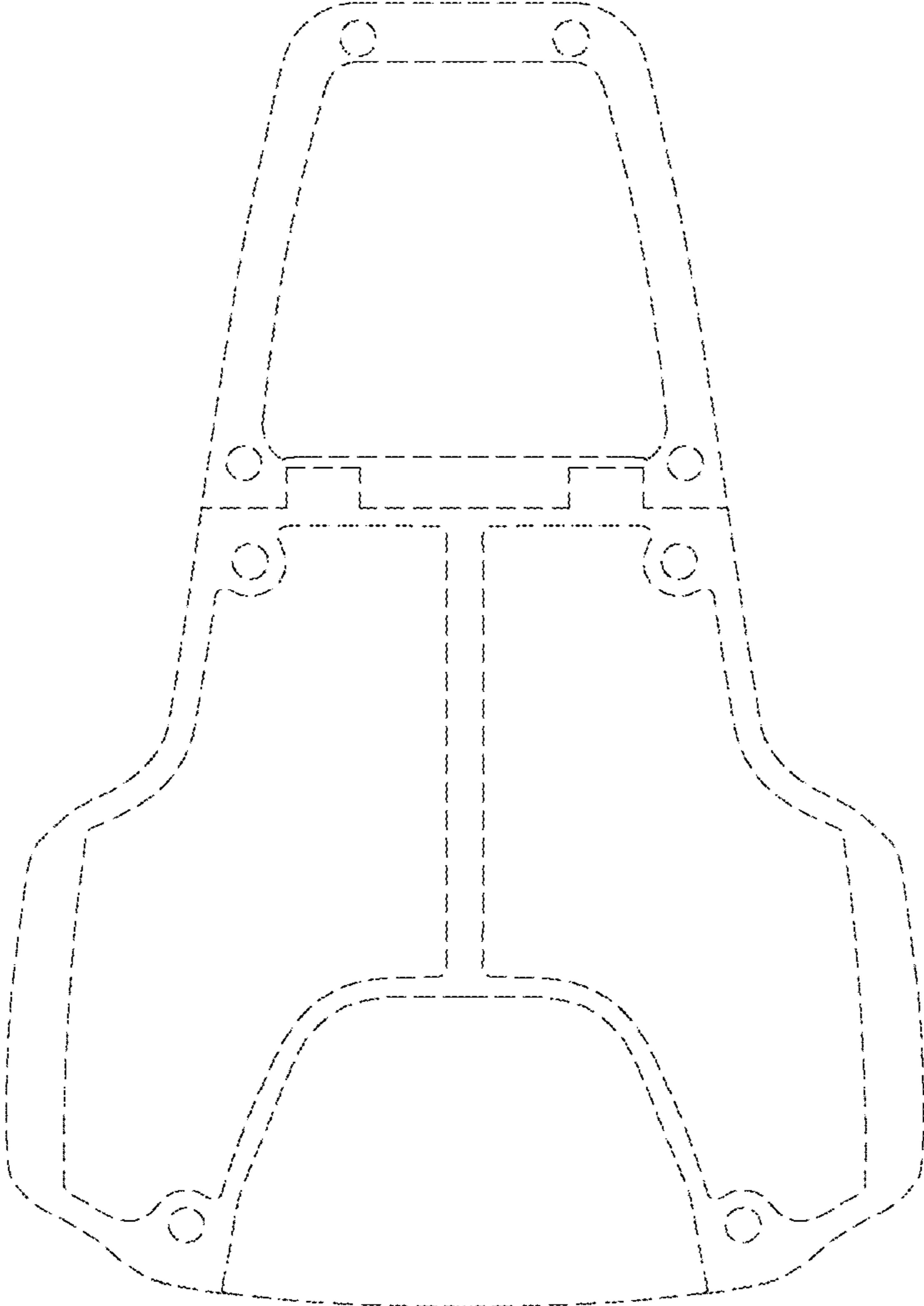


FIG. 16

