



US00D807276S

(12) **United States Design Patent**  
**Aden**

(10) **Patent No.:** **US D807,276 S**  
(45) **Date of Patent:** **\*\* Jan. 9, 2018**

(54) **MOTORIZED VEHICLE ROOF ACCESSORY RACK**

(71) Applicant: **Christopher Benjamin Thomas Aden**,  
Frisco, CO (US)

(72) Inventor: **Christopher Benjamin Thomas Aden**,  
Frisco, CO (US)

(\*\*) Term: **15 Years**

(21) Appl. No.: **29/574,788**

(22) Filed: **Aug. 18, 2016**

(51) **LOC (11) Cl.** ..... **12-16**

(52) **U.S. Cl.**  
USPC ..... **D12/412**

(58) **Field of Classification Search**  
USPC ..... D12/412, 406, 413, 414, 414.1;  
D3/304-306; D6/552  
CPC ..... B60R 9/04; B60R 9/045; B60R 9/048  
See application file for complete search history.

(56) **References Cited**

**U.S. PATENT DOCUMENTS**

D765,577 S \* 9/2016 Kmita ..... D12/412  
D772,139 S \* 11/2016 Hill ..... D12/412  
D772,783 S \* 11/2016 Schleef ..... D12/412  
D793,946 S \* 8/2017 Badillo ..... D12/412

D793,947 S \* 8/2017 Badillo ..... D12/412  
2015/0053732 A1 \* 2/2015 Wang ..... B60R 9/045  
224/318  
2016/0243994 A1 \* 8/2016 Kmita ..... B60R 9/052  
2016/0257259 A1 \* 9/2016 Perry ..... B60R 9/04  
2017/0072865 A1 \* 3/2017 Pagel ..... B60R 9/045  
2017/0144609 A1 \* 5/2017 Poudrier ..... B60R 9/045  
2017/0203697 A1 \* 7/2017 Badillo ..... B60R 9/045

\* cited by examiner

*Primary Examiner* — Katrina A Betton  
(74) *Attorney, Agent, or Firm* — RG Patent Consulting,  
LLC; Rachel Gilboy

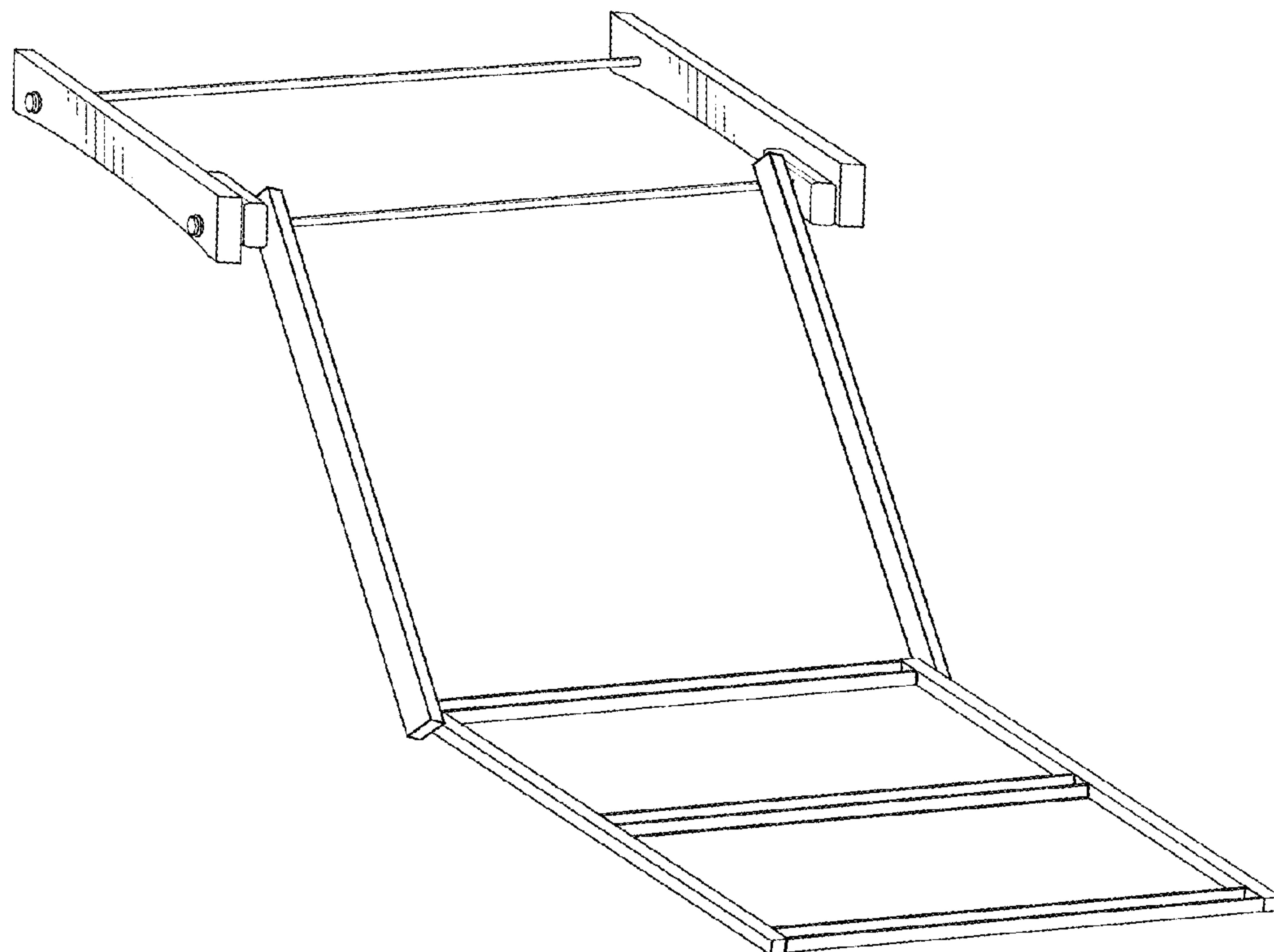
(57) **CLAIM**

The ornamental design for a motorized vehicle roof accessory rack, as shown and described.

**DESCRIPTION**

FIG. 1 is a perspective view of the motorized vehicle roof accessory rack in an extended position, showing my new design;  
FIG. 2 is a perspective view of the motorized vehicle roof accessory rack thereof, with the accessory rack in an alternate position;  
FIG. 3 is a front elevation view thereof;  
FIG. 4 is a rear elevation view thereof;  
FIG. 5 is a right elevation view thereof;  
FIG. 6 is a left elevation view thereof;  
FIG. 7 is a top plan view thereof; and,  
FIG. 8 is a bottom plan view thereof.

**1 Claim, 8 Drawing Sheets**



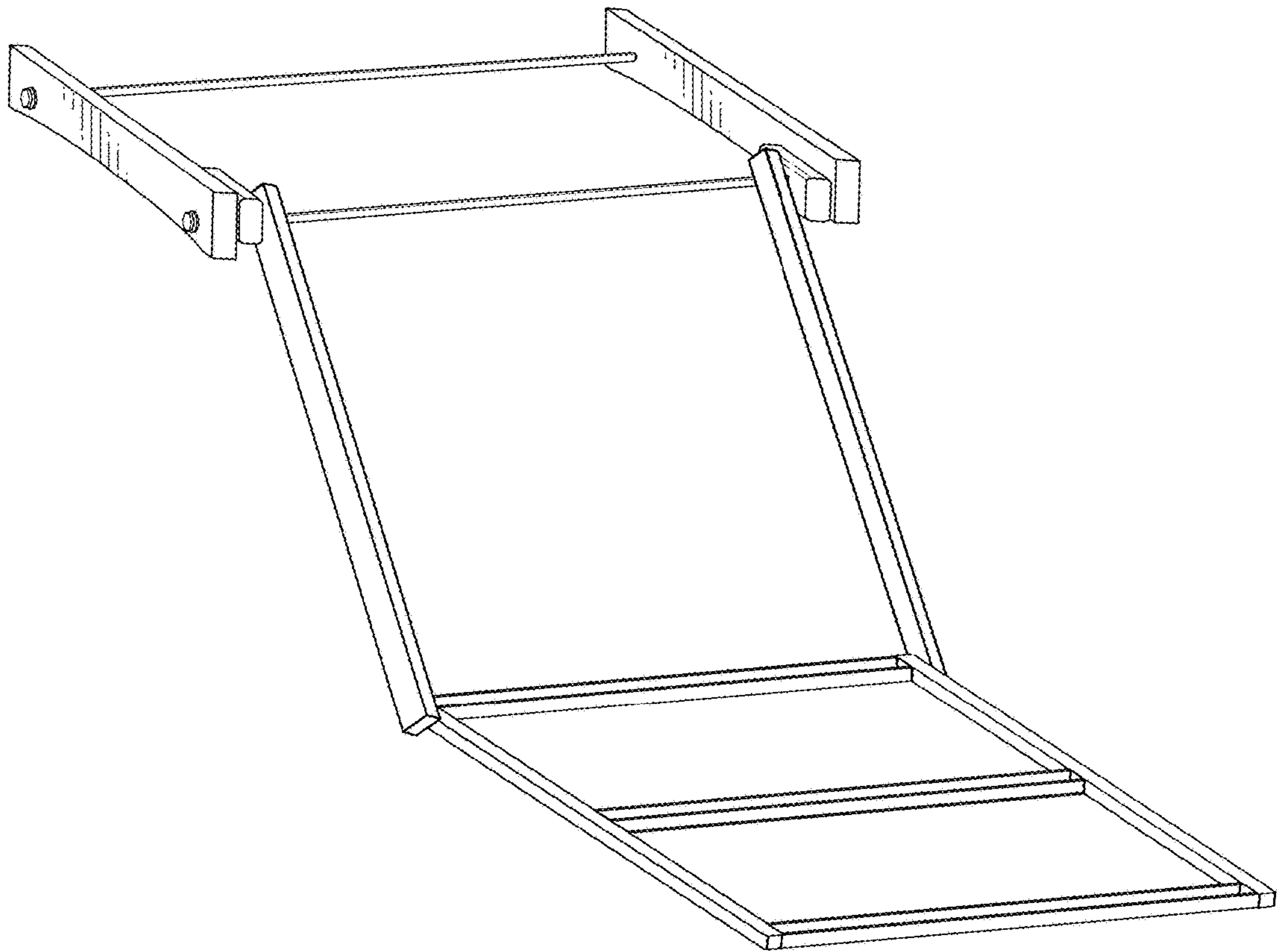


FIG. 1

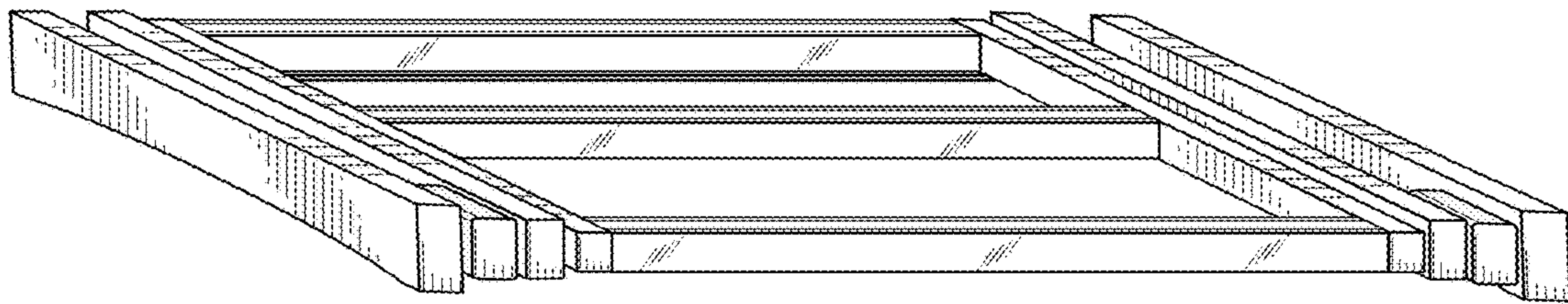


FIG. 2



FIG. 3

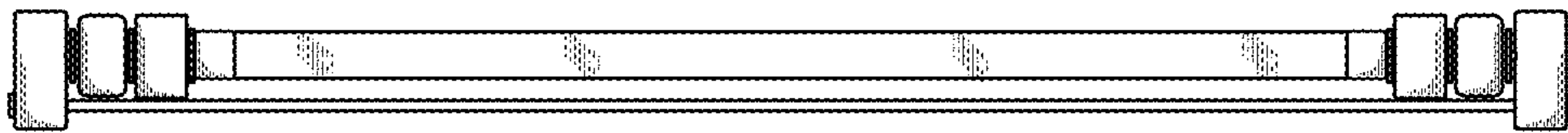


FIG. 4



FIG. 5

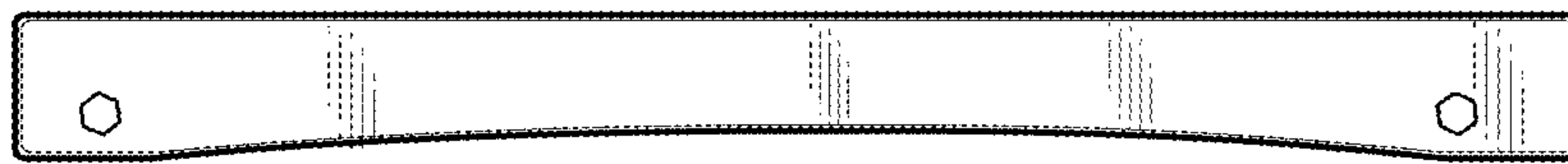


FIG. 6

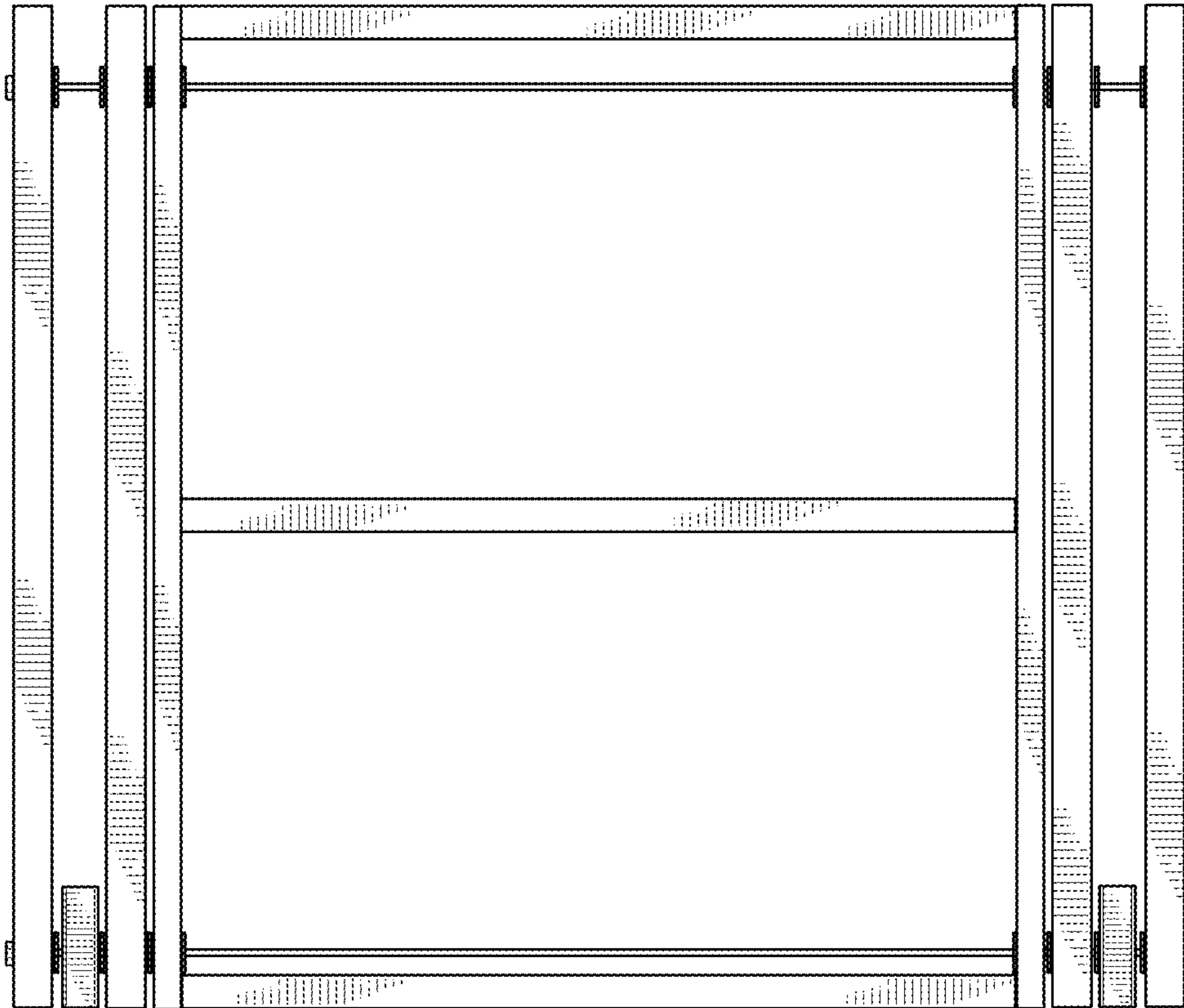


FIG. 7



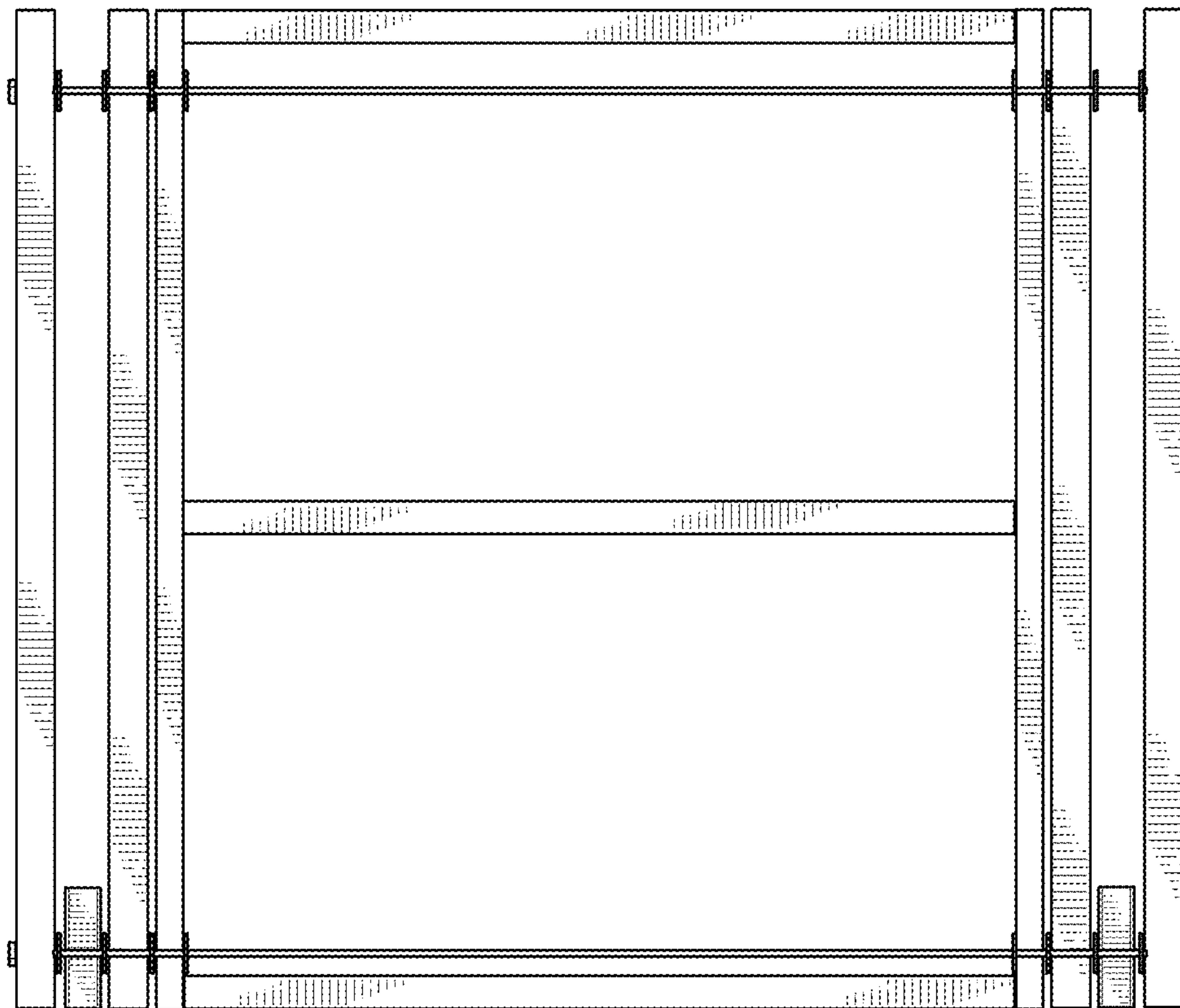


FIG. 8