

US00D807275S

(12) **United States Design Patent** (10) **Patent No.:** **US D807,275 S**
Bennett (45) **Date of Patent:** **** Jan. 9, 2018**

(54) **CARGO COMPARTMENT COVER FOR A VEHICLE**

(71) Applicant: **Omix-Ada, Inc.**, Suwanee, GA (US)

(72) Inventor: **Patrick W. Bennett**, Gainesville, GA (US)

(73) Assignee: **Omix-ADA, Inc.**, Swuanee, GA (US)

(**) Term: **15 Years**

(21) Appl. No.: **29/553,133**

(22) Filed: **Jan. 28, 2016**

(51) **LOC (11) Cl.** **12-16**

(52) **U.S. Cl.**
USPC **D12/401**

(58) **Field of Classification Search**
USPC D12/401-405
CPC B60J 11/08; B60J 11/06; A47C 31/10
See application file for complete search history.

(56) **References Cited**

U.S. PATENT DOCUMENTS

- | | | | |
|---------------|---------|-----------------|-------------------------|
| 4,765,671 A | 8/1988 | Allen | |
| 4,789,574 A | 12/1988 | Selvey | |
| D301,025 S | 5/1989 | Reynolds et al. | |
| 4,877,281 A | 10/1989 | Altmann | |
| 4,979,772 A * | 12/1990 | Carey | B60N 2/3011
296/39.1 |
| 5,110,171 A | 5/1992 | Anthony | |
| D333,117 S | 2/1993 | Hamilton | |
| D347,417 S | 5/1994 | Hamilton | |
| 5,322,335 A | 6/1994 | Niemi | |
| D373,986 S | 9/1996 | Hamilton | |
| 5,722,710 A | 3/1998 | Falciani | |
| D404,706 S | 1/1999 | Hamilton | |
| 5,887,301 A * | 3/1999 | Anderson | A45F 4/02
190/107 |
| 6,017,074 A | 1/2000 | Biskup | |
| 6,120,078 A | 9/2000 | Smyl | |

- | | | | |
|----------------|---------|------------------|--------------------------|
| 6,206,443 B1 | 3/2001 | Konop et al. | |
| 7,001,122 B2 | 2/2006 | Bommarito et al. | |
| D537,770 S | 3/2007 | Yamazaki et al. | |
| 7,261,361 B1 * | 8/2007 | Simons | B60R 13/011
296/97.23 |
| D602,839 S * | 10/2009 | Carrow | D12/401 |
| 7,648,187 B2 | 1/2010 | Hoffman et al. | |
| D644,979 S | 9/2011 | Wenrick et al. | |
| 8,348,324 B2 | 1/2013 | Worden | |
| 8,430,441 B2 | 4/2013 | Waterman | |
| 8,596,317 B1 * | 12/2013 | McNulty | B60N 3/046
150/154 |
| 8,840,166 B1 | 9/2014 | Derbes et al. | |

(Continued)

FOREIGN PATENT DOCUMENTS

WO WO 2008/129340 10/2008

Primary Examiner — Katrina Betton

(74) *Attorney, Agent, or Firm* — Womble Bond Dickinson (US) LLP

(57) **CLAIM**

The ornamental design for a cargo compartment cover for a vehicle, as shown and described.

DESCRIPTION

FIG. 1 is a rear perspective view of a cargo compartment cover for a vehicle showing my new design.

FIG. 2 is a top plan view thereof.

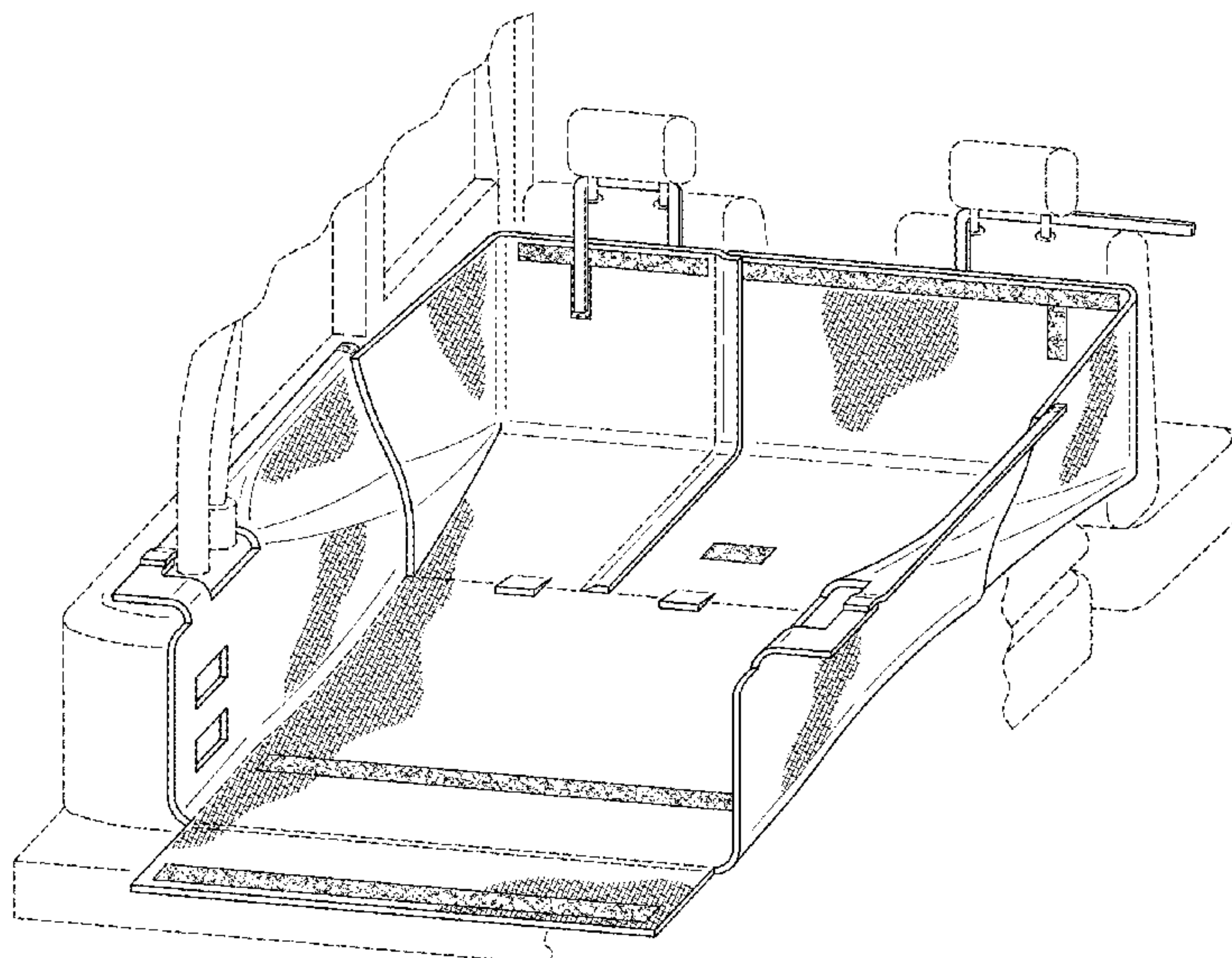
FIG. 3 is a rear elevational view thereof.

FIG. 4 is a rear perspective view thereof showing the seats of the vehicle and the cargo compartment cover in another configuration; and,

FIG. 5 is a rear perspective view thereof showing the seats of the vehicle and the cargo compartment cover in yet another configuration.

The broken lines illustrate portions of the vehicle that form no part of the claimed design.

1 Claim, 3 Drawing Sheets



(56)

References Cited

U.S. PATENT DOCUMENTS

D718,213	S	*	11/2014	Shipman	D12/401
D718,215	S	*	11/2014	Shipman	D12/401
D728,451	S	*	5/2015	Rodriguez	D12/401
D756,858	S	*	5/2016	Malina	D12/167
D768,051	S	*	10/2016	Dandachli	D12/401
2006/0170237	A1		8/2006	McAuliffe		
2008/0185866	A1	*	8/2008	Tarrant	B60N 2/6009 296/97.22

* cited by examiner

FIG. 1

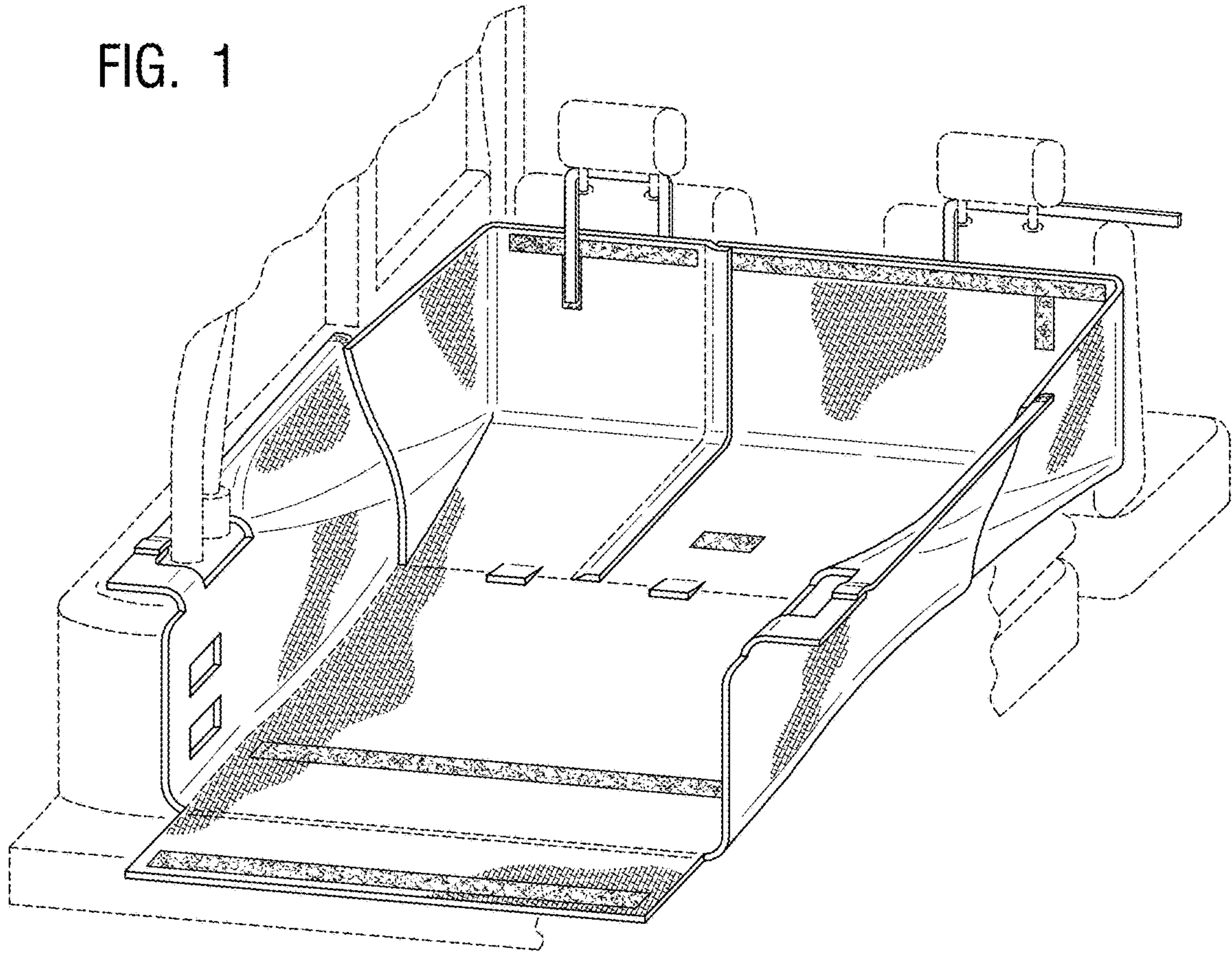


FIG. 2

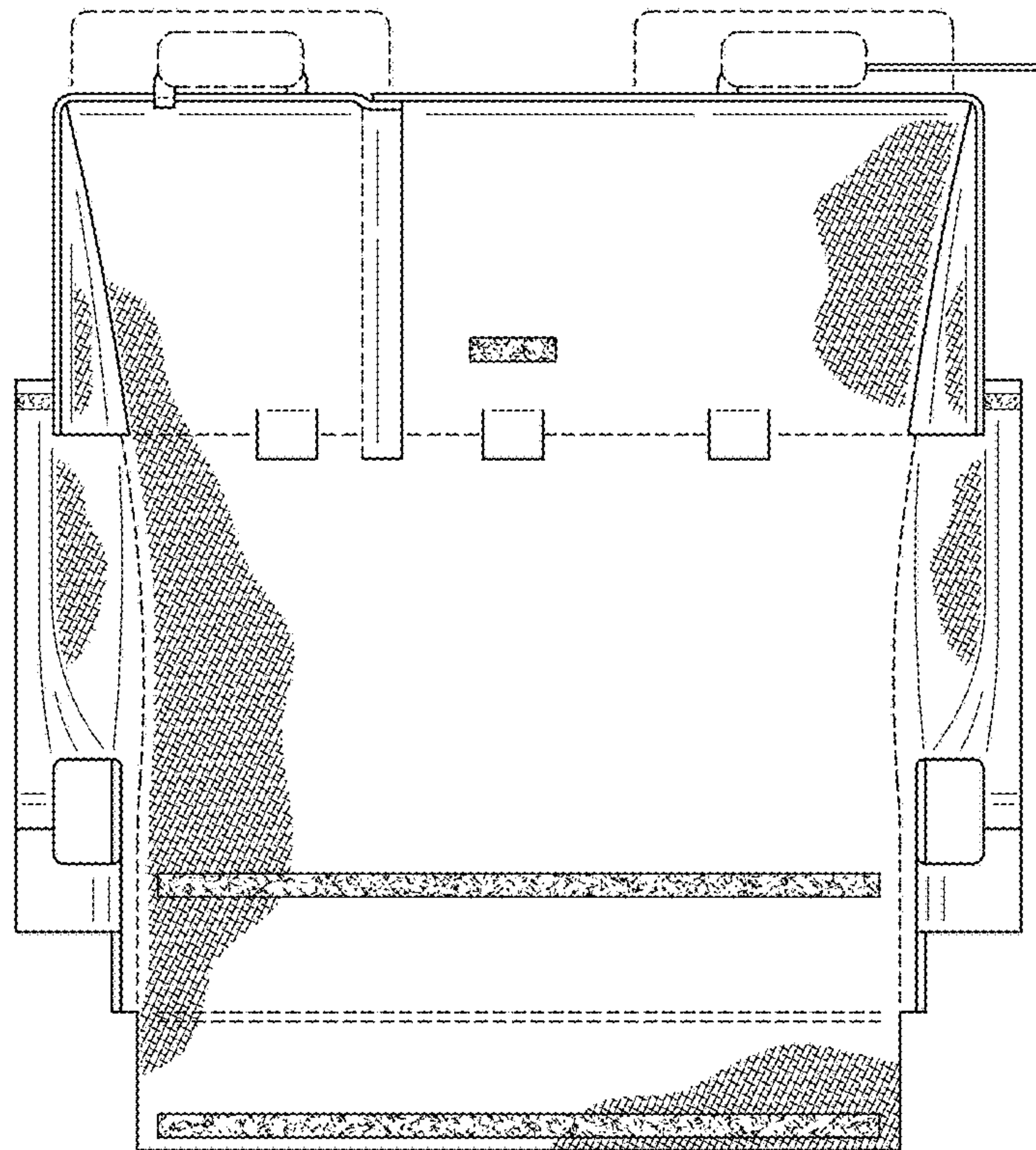


FIG. 3

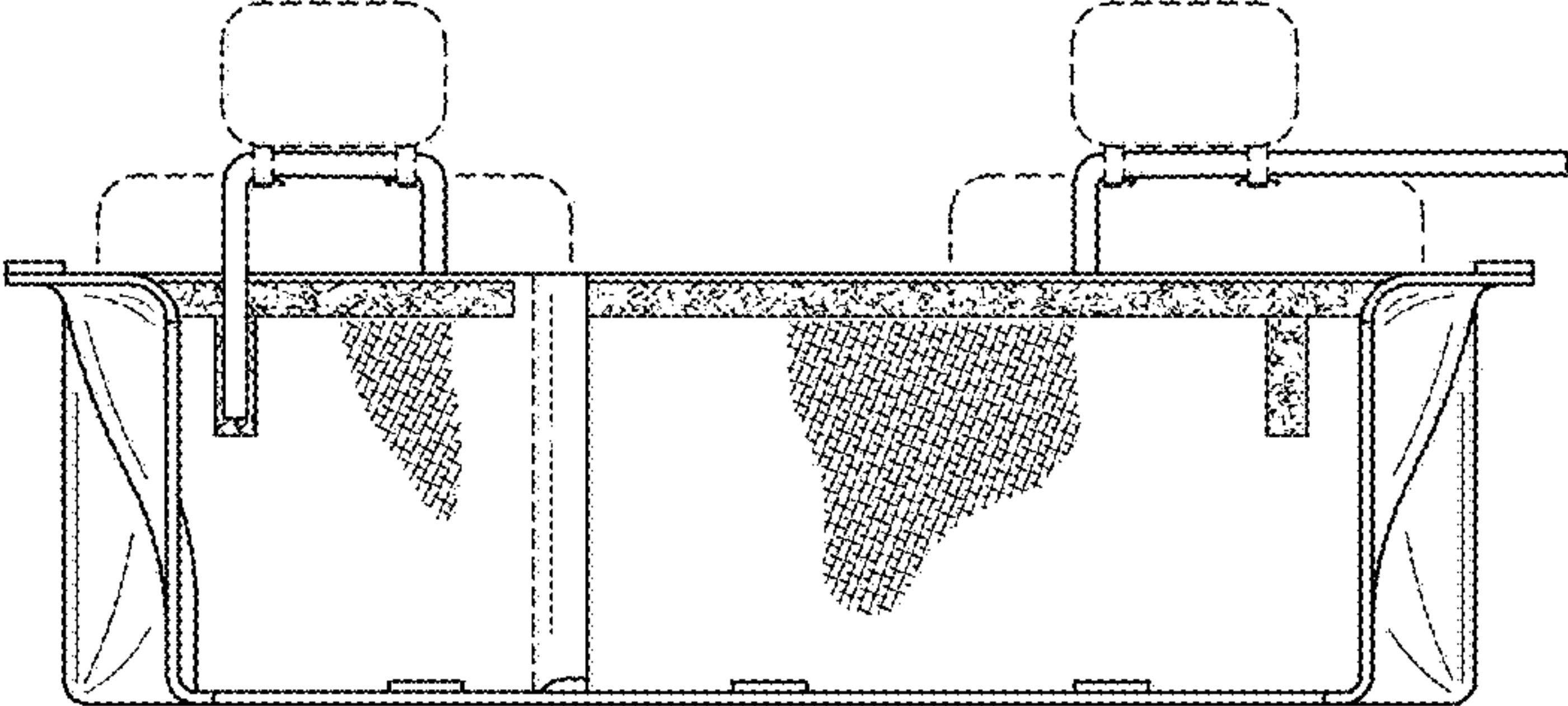


FIG. 4

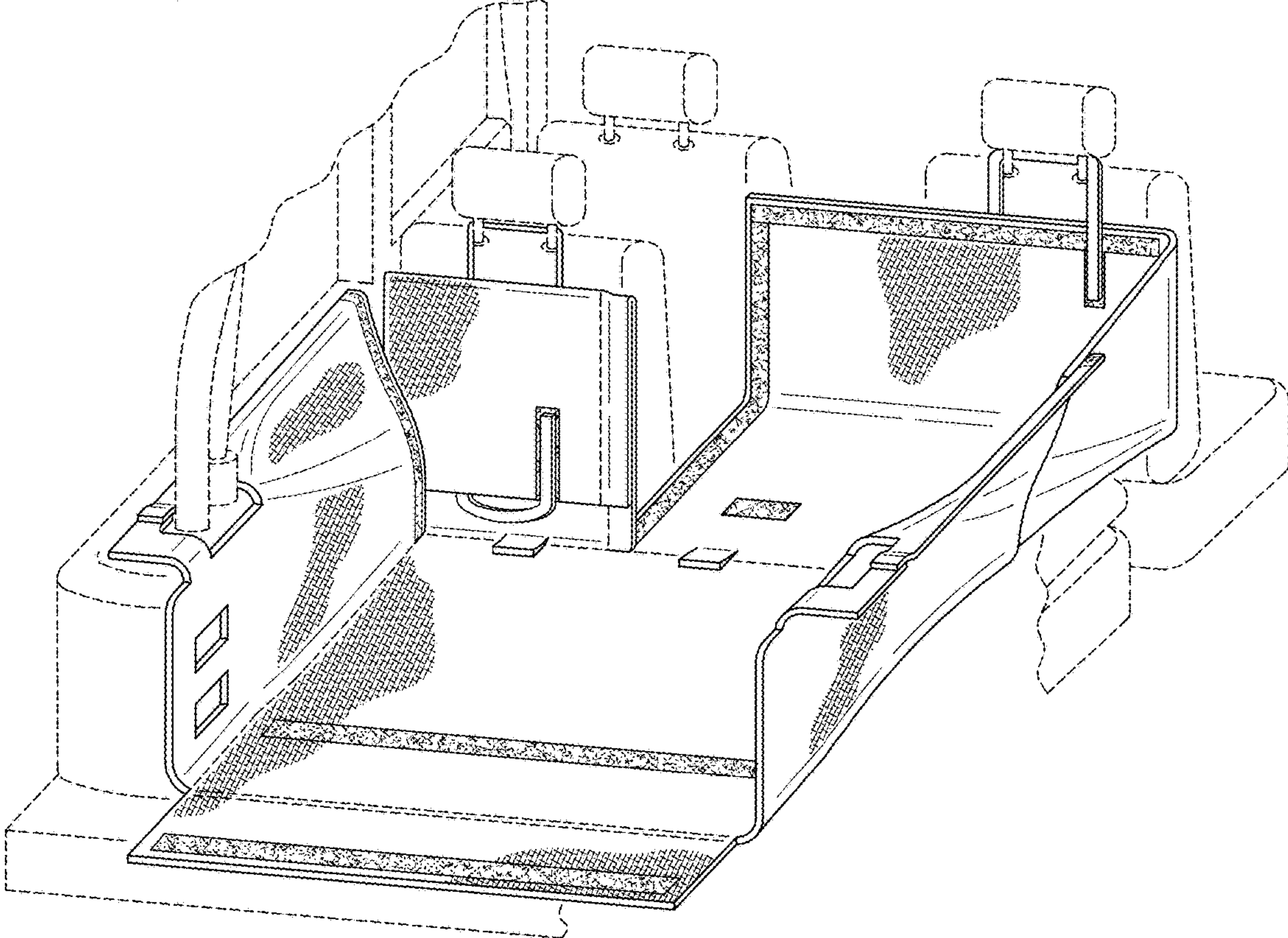


FIG. 5

