



US00D807274S

(12) **United States Design Patent**
DeGiule et al.

(10) **Patent No.:** **US D807,274 S**
(45) **Date of Patent:** **** Jan. 9, 2018**

(54) **TRUNK GUARD**

(71) Applicant: **O’Poc, LLC**, Nassau, NY (US)

(72) Inventors: **Bernhardt DeGiule**, Nassau, NY (US);
Debra DeGiule, Nassau, NY (US)

(73) Assignee: **O’POC, LLC**, Nassau, NY (US)

(**) Term: **15 Years**

(21) Appl. No.: **29/557,794**

(22) Filed: **Mar. 11, 2016**

(51) **LOC (11) Cl.** **12-16**

(52) **U.S. Cl.**
USPC **D12/400**; D12/406

(58) **Field of Classification Search**
USPC D12/107, 110, 114, 115, 117, 126, 400,
D12/401, 404, 415, 423, 179, 406, 407,
D12/412; D25/48.1, 48.3
CPC . B60R 1/025; B60R 1/08; B62H 5/001; B62J
9/006; B65D 43/16; B65D 43/22; B65D
55/02; F21S 48/00; G01S 13/931
See application file for complete search history.

(56) **References Cited**

U.S. PATENT DOCUMENTS

5,090,605	A *	2/1992	Cucheran	B60R 9/04 224/309
5,377,888	A *	1/1995	Baravalle	B60R 9/058 224/309
5,738,258	A *	4/1998	Farrow	B60R 9/08 224/309
6,892,913	B1 *	5/2005	Andersson	B60R 9/10 224/172
7,108,163	B1 *	9/2006	Pedrini	B60R 9/12 224/319
D577,508	S *	9/2008	Derocher	D6/407
D581,858	S *	12/2008	Bogard	D12/401

(Continued)

OTHER PUBLICATIONS

Vw-polo-7-6-rear-bumper-rubber-trim-trunk-shield, image post date Mar. 5, 2016, site visited May 2, 2017, (online), <<https://www>.

tineye.com/search/fdeb58447fc4727b8f648ee480fcea39157db15d/>.*

(Continued)

Primary Examiner — Kevin Rudzinski

Assistant Examiner — Sean D Lough

(74) *Attorney, Agent, or Firm* — Schmeiser, Olsen & Watts, LLP

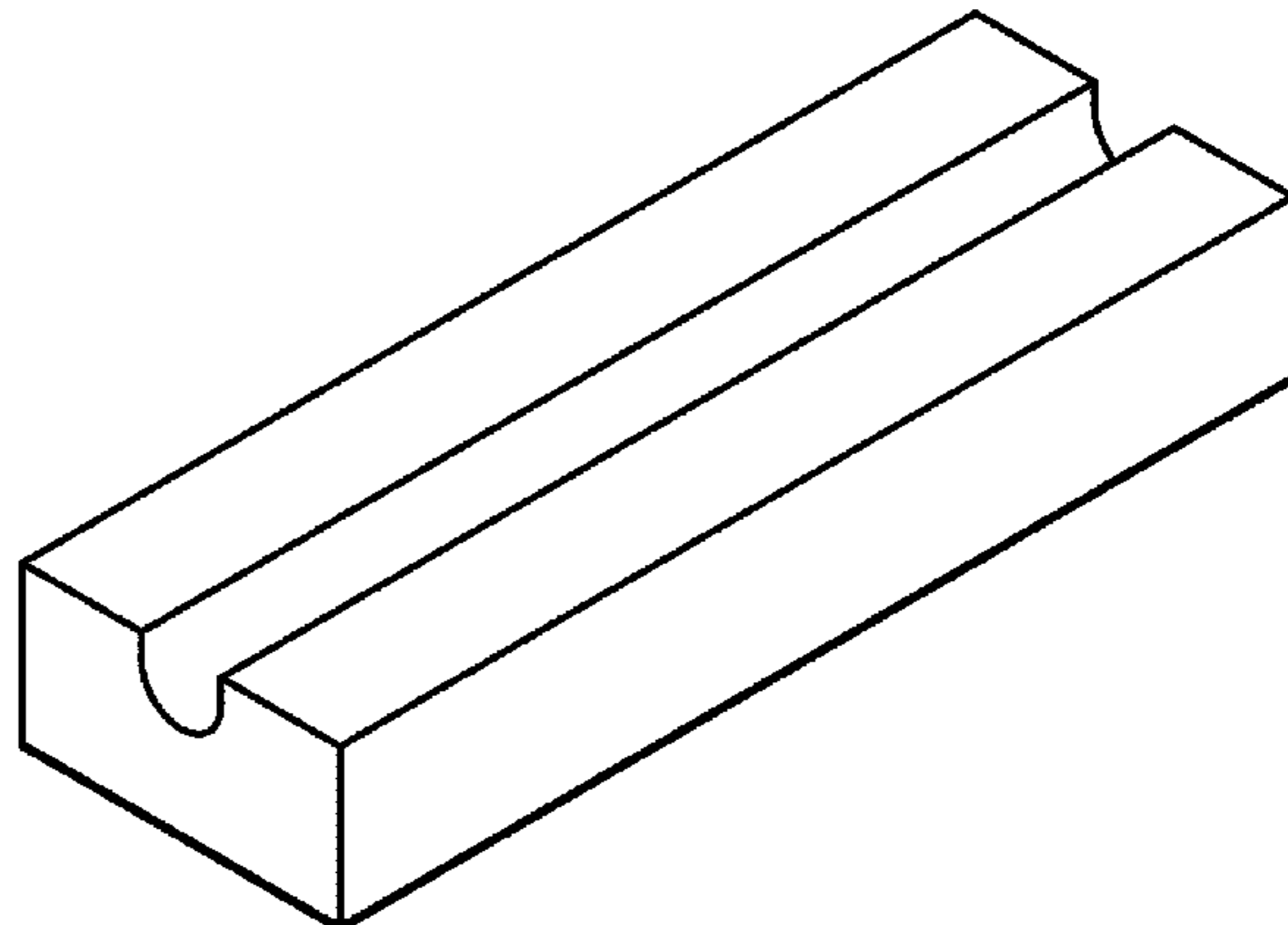
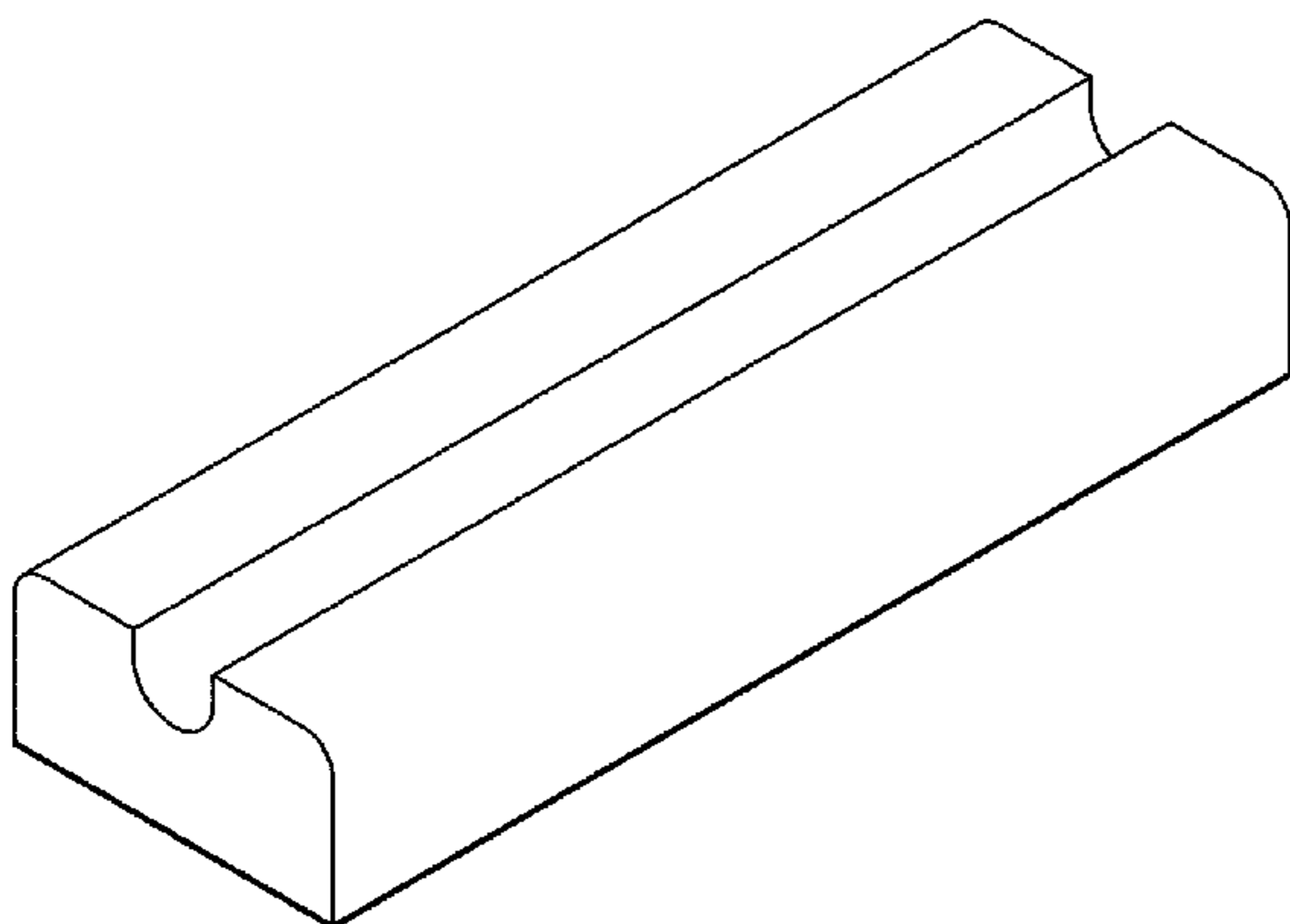
(57) **CLAIM**

I claim the ornamental design for the trunk guard, as shown and described.

DESCRIPTION

FIG. 1 is a perspective view of a first embodiment of a trunk guard, showing our new design;
 FIG. 2 is a top view thereof;
 FIG. 3 is a front view thereof, wherein a rear view is a mirror image of the front view;
 FIG. 4 is a left side view thereof, wherein a right side view is a mirror image of the left side view;
 FIG. 5 is a bottom view thereof;
 FIG. 6 is a perspective view of the trunk guard in position on a trunk of a car receiving a portion of a rack;
 FIG. 7 is a perspective view of a second embodiment of a trunk guard, showing our new design;
 FIG. 8 is a top view thereof;
 FIG. 9 is a front view thereof, wherein a rear view is a mirror image of the front view;
 FIG. 10 is a left side view thereof, wherein a right side view is a mirror image of the left side view;
 FIG. 11 is a bottom view thereof; and,
 FIG. 12 is a perspective view of the trunk guard in position on a trunk of a car receiving a portion of a rack.
 The broken lines in the Figures represent portions and environment of the trunk guard and form no part of the claimed design.

1 Claim, 10 Drawing Sheets



(56)

References Cited

U.S. PATENT DOCUMENTS

D618,157 S * 6/2010 Masters D12/217
 D623,118 S * 9/2010 Lindloff D12/411
 7,857,179 B1 * 12/2010 Allen B60R 9/06
 224/329
 D631,797 S * 2/2011 Britt D12/102
 D637,884 S * 5/2011 Trotta D8/303
 D649,024 S * 11/2011 Takazakura D8/367
 D649,563 S * 11/2011 Doraivelmanimoz D12/203
 D657,958 S * 4/2012 Ehrman D5/56
 D671,882 S * 12/2012 Glasgow D12/401
 D684,918 S * 6/2013 Krusemark D12/415
 D685,304 S * 7/2013 Moore D12/180
 D686,640 S * 7/2013 Reams D15/28
 D687,761 S * 8/2013 Gros D12/401
 8,517,237 B1 * 8/2013 Barber B60R 9/05
 224/316
 D689,425 S * 9/2013 Olson B60R 13/06
 D12/196
 D689,476 S * 9/2013 Alexander D14/209.1
 D690,140 S * 9/2013 Baylar D6/675
 D699,708 S * 2/2014 Files D12/114
 D699,709 S * 2/2014 Files D12/114
 D700,363 S * 2/2014 Schober D25/111
 D703,116 S * 4/2014 DePalma D12/167
 D703,835 S * 4/2014 Schober D25/105
 D705,949 S * 5/2014 Schober D25/105
 8,733,605 B2 * 5/2014 Pedrini B60R 9/06
 224/488
 D707,854 S * 6/2014 Schober D25/111
 D708,558 S * 7/2014 Coombs D12/183
 D708,764 S * 7/2014 Lin D25/110
 D715,791 S * 10/2014 Yu D14/253
 D716,594 S * 11/2014 Black D6/703.2
 D717,783 S * 11/2014 Gelsomini D14/253
 D718,215 S * 11/2014 Shipman D12/401
 D720,206 S * 12/2014 Brennan D8/380
 D721,629 S * 1/2015 Kaufman D12/203
 D722,009 S * 2/2015 Roach D12/414.1
 D722,062 S * 2/2015 Zwerner D14/447
 D724,519 S * 3/2015 Baker D12/401
 D728,244 S * 5/2015 Saavedra D5/60
 D730,146 S * 5/2015 Stewart D8/303
 D732,772 S * 6/2015 Chung D32/25
 D733,035 S * 6/2015 Nositschka D12/404
 D733,494 S * 7/2015 Funnell, II D7/405
 D735,886 S * 8/2015 Walsh D25/48.3
 D735,888 S * 8/2015 Gouge D25/48.3
 D740,964 S * 10/2015 Wysock D25/48.3
 D741,336 S * 10/2015 Miniard D14/447
 D741,504 S * 10/2015 Wysock D25/48.3
 D742,112 S * 11/2015 Heck D3/25
 D743,652 S * 11/2015 Chung D32/25
 D743,654 S * 11/2015 Chung D32/25
 D746,215 S * 12/2015 Leavitt D12/401
 D746,761 S * 1/2016 Cagampang D12/414
 D747,539 S * 1/2016 Santoro D26/120
 D751,327 S * 3/2016 Bender D6/707.19
 D757,299 S * 5/2016 Altieri, Jr. D25/48.8
 D757,688 S * 5/2016 Wise D14/214
 D757,931 S * 5/2016 Pulie D24/118
 9,358,931 B2 * 6/2016 DeGuile B60R 9/00
 D761,175 S * 7/2016 Stoyinov D12/190
 D764,680 S * 8/2016 Kim D25/59
 D764,846 S * 8/2016 Reinhart D6/703
 D766,459 S * 9/2016 Cox D25/48.3
 D774,990 S * 12/2016 Calley D12/126

D774,991 S * 12/2016 Calley D12/126
 D775,739 S * 1/2017 Roze D25/110
 D776,026 S * 1/2017 Ellis D12/181
 D778,419 S * 2/2017 Poindexter D23/365
 D780,336 S * 2/2017 Davis D25/149
 D784,353 S * 4/2017 Brown D14/447
 D784,571 S * 4/2017 Davis D25/149
 D784,876 S * 4/2017 Buxton D12/180
 2006/0196905 A1 * 9/2006 Shaukat B60R 9/04
 224/321
 2008/0156564 A1 * 7/2008 Driessen B62J 7/04
 180/220
 2008/0304170 A1 * 12/2008 Zhao B60R 1/082
 359/864
 2009/0251362 A1 * 10/2009 Margomenos G01S 7/032
 342/175
 2011/0188122 A1 * 8/2011 Habibi B60R 1/08
 359/604
 2012/0130628 A1 * 5/2012 Dintzer G01S 13/52
 701/301
 2013/0077165 A1 * 3/2013 Lin B60R 1/04
 359/489.19
 2013/0112586 A1 * 5/2013 Hawry B65D 25/10
 206/528
 2013/0112588 A1 * 5/2013 Flood A61J 1/03
 206/531
 2013/0223087 A1 * 8/2013 Mueller B60R 13/0243
 362/511
 2014/0083338 A1 * 3/2014 McAlexander E05G 1/02
 109/52
 2014/0139902 A1 * 5/2014 Baumann B60R 1/08
 359/275
 2014/0192547 A1 * 7/2014 Kumar B60Q 1/00
 362/522
 2014/0313100 A1 * 10/2014 Yamamoto C23C 18/2086
 343/872
 2015/0062951 A1 * 3/2015 Nishikawa F21S 48/00
 362/546
 2015/0084803 A1 * 3/2015 Purden H01Q 1/3283
 342/1
 2015/0222023 A1 * 8/2015 Shijo H01Q 13/18
 342/195
 2016/0033632 A1 * 2/2016 Searcy G01S 7/03
 342/153
 2016/0047907 A1 * 2/2016 Izadian G01S 13/931
 342/59
 2016/0076225 A1 * 3/2016 Atkinson E02F 3/432
 701/50
 2016/0116666 A1 * 4/2016 Sato B60Q 1/0041
 362/509
 2016/0238703 A1 * 8/2016 Liu G01S 13/867
 2016/0311600 A1 * 10/2016 Albert B65D 21/0223
 2017/0109943 A1 * 4/2017 Sutton G07C 1/02

OTHER PUBLICATIONS

Slimline II cargo roof rack kit, image post date 2016, site visited May 2, 2017, (online), <<https://www.frontrunneroutfitters.com/en/us/kia-sorento-2016-current-slimline-ii-roof-rail-kit.html>>.*
 Thule Racks For Cars, image post date Jan. 20, 2016, site visited May 2, 2017, (online), <<https://www.tineye.com/search/d425b34fc5f45b299cb5028716b44e49761152c0/>>.*
 Billard-stick-rack-queue-halter-fuer-3, image post date Jan. 11, 2015, site visited May 2, 2017, (online), <<https://www.tineye.com/search/3feb837ff78ca8cc0056dbf4f831678bfa4b611a/>>.*

* cited by examiner

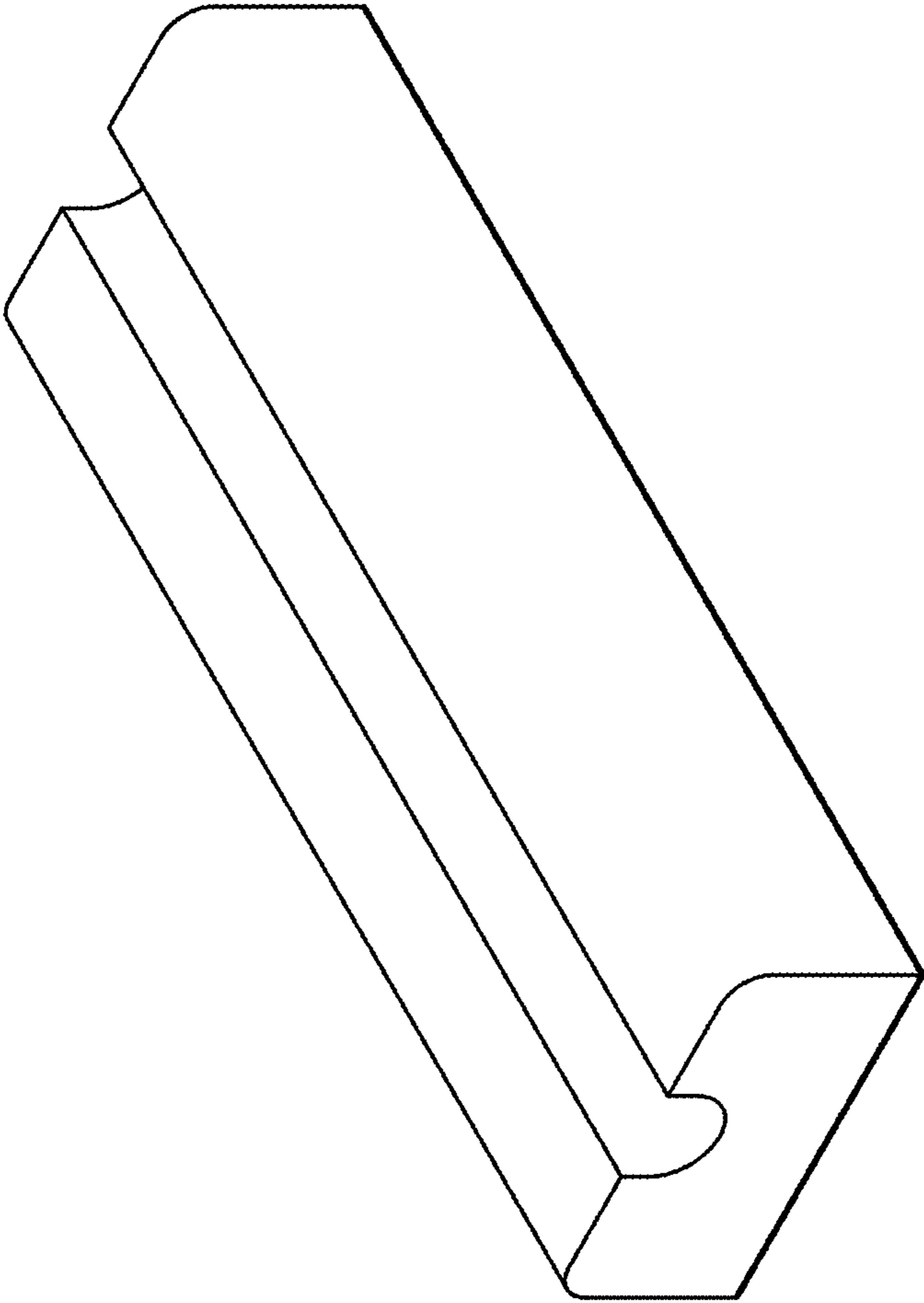


FIG. 1

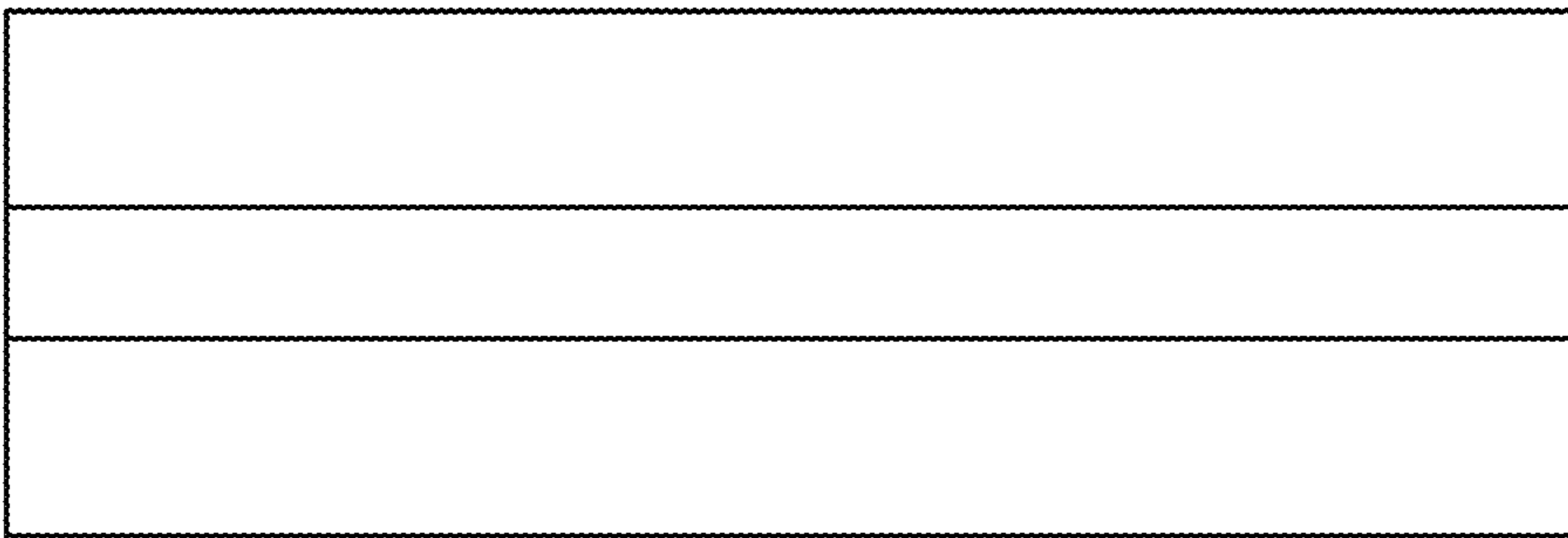


FIG. 2

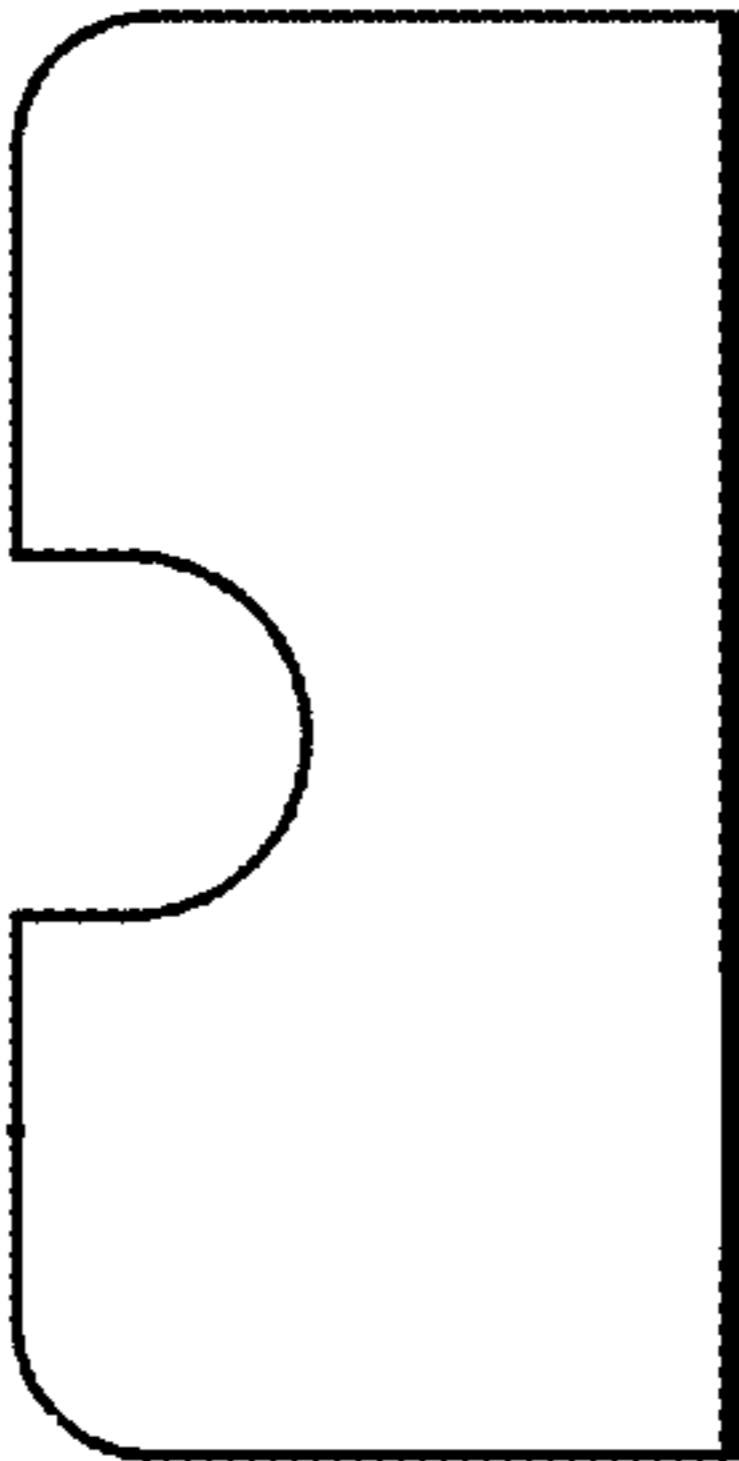


FIG. 3

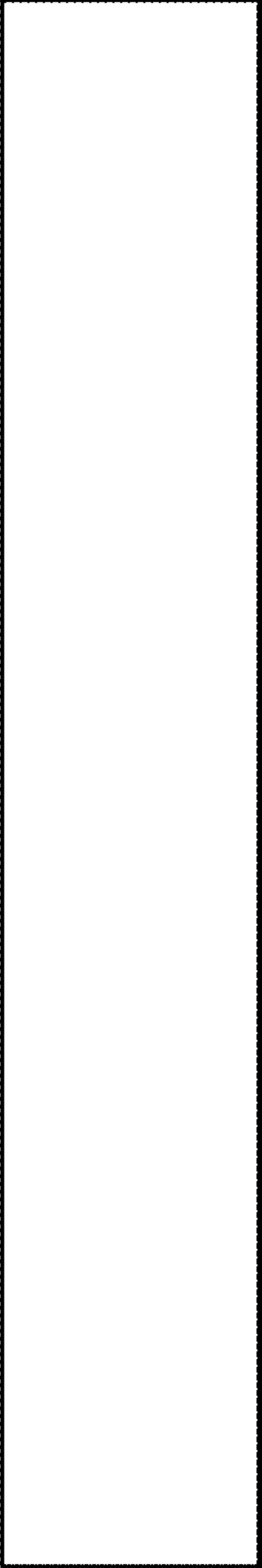


FIG. 4

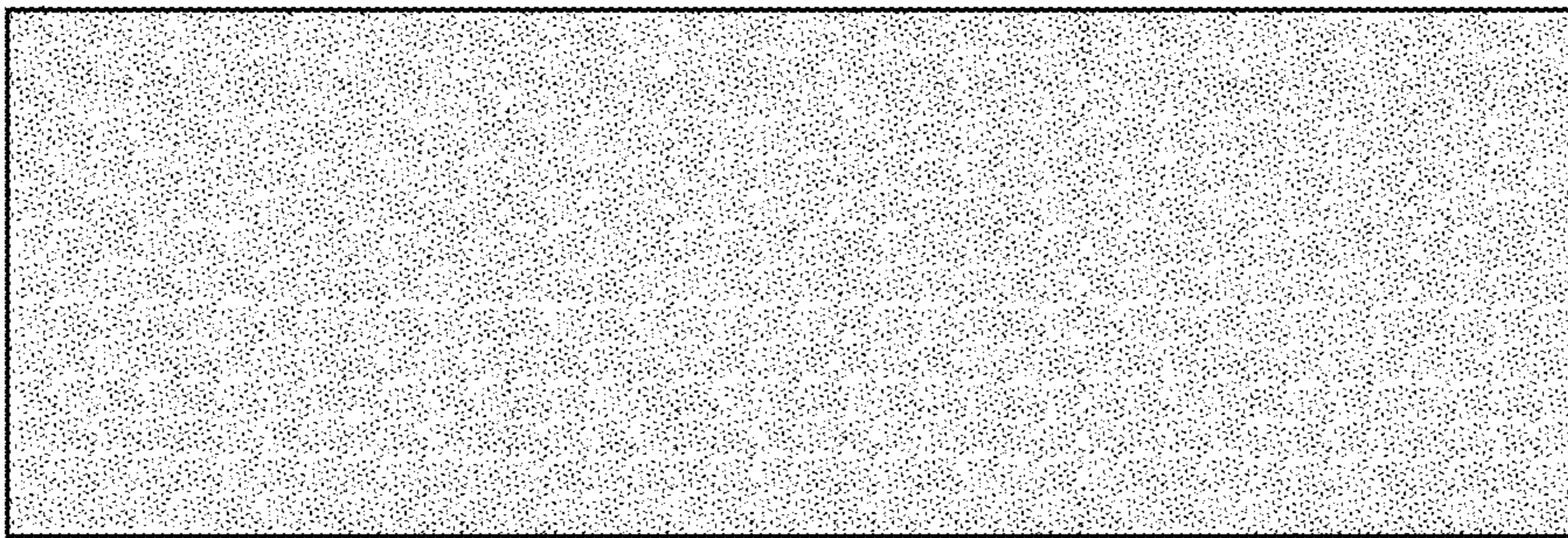


FIG. 5

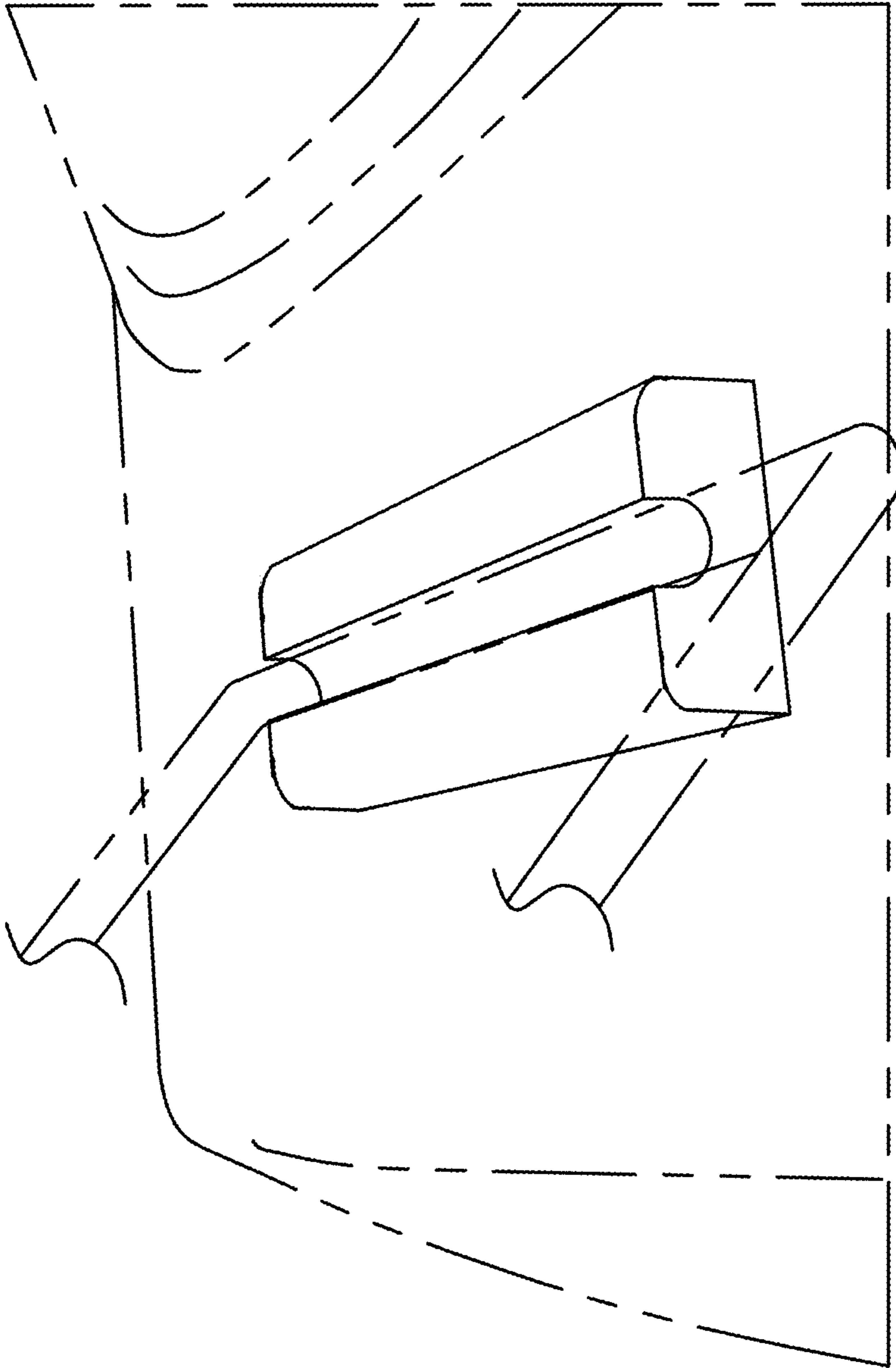


FIG. 6

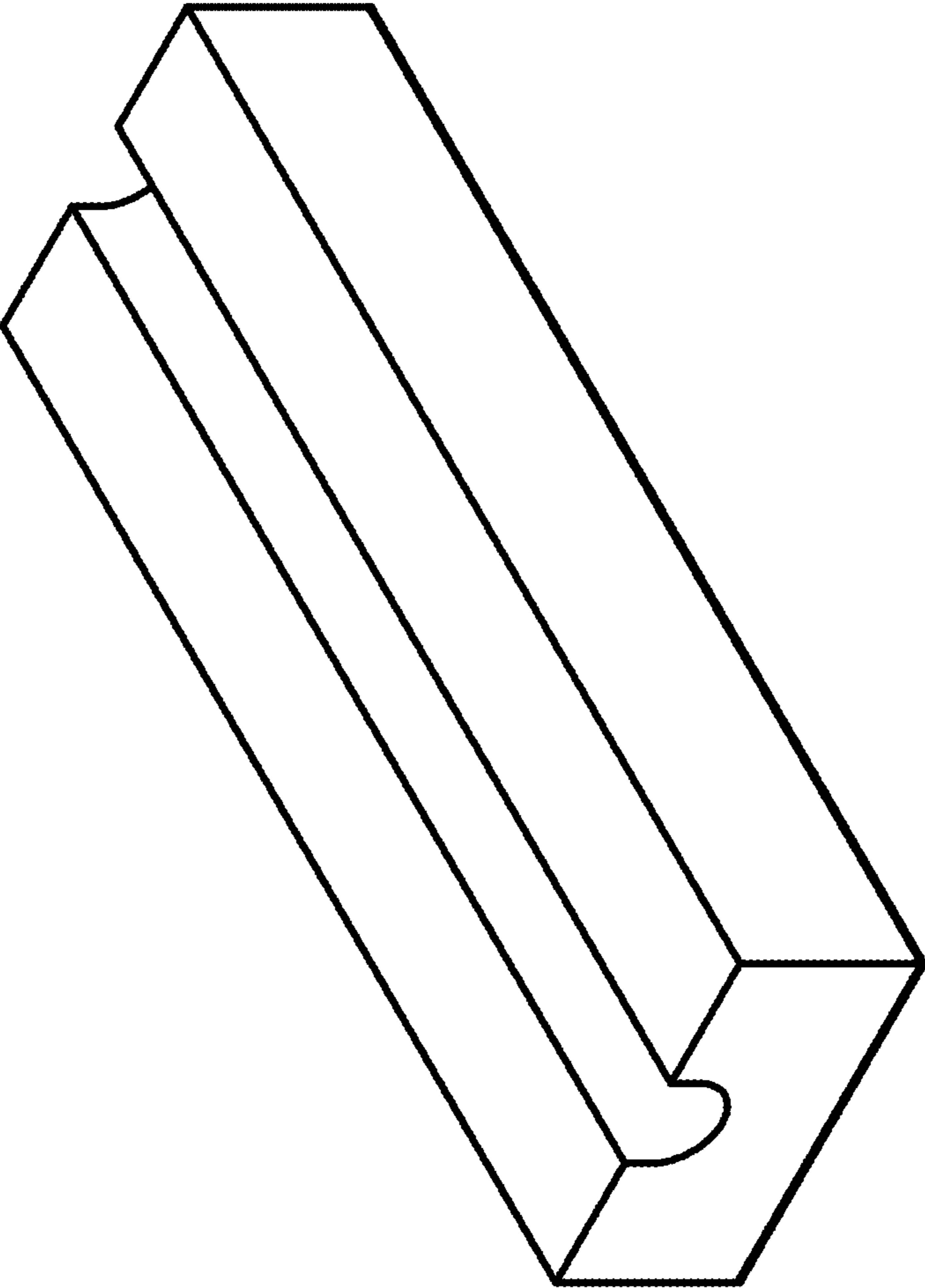


FIG. 7

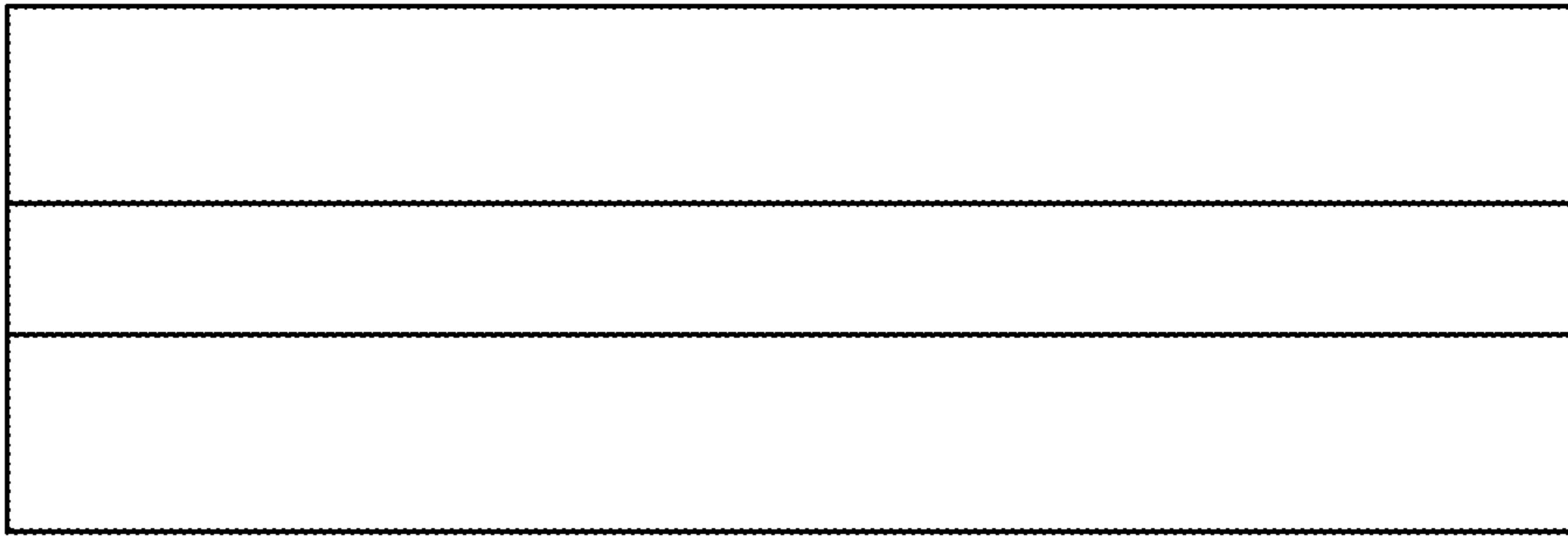


FIG. 8

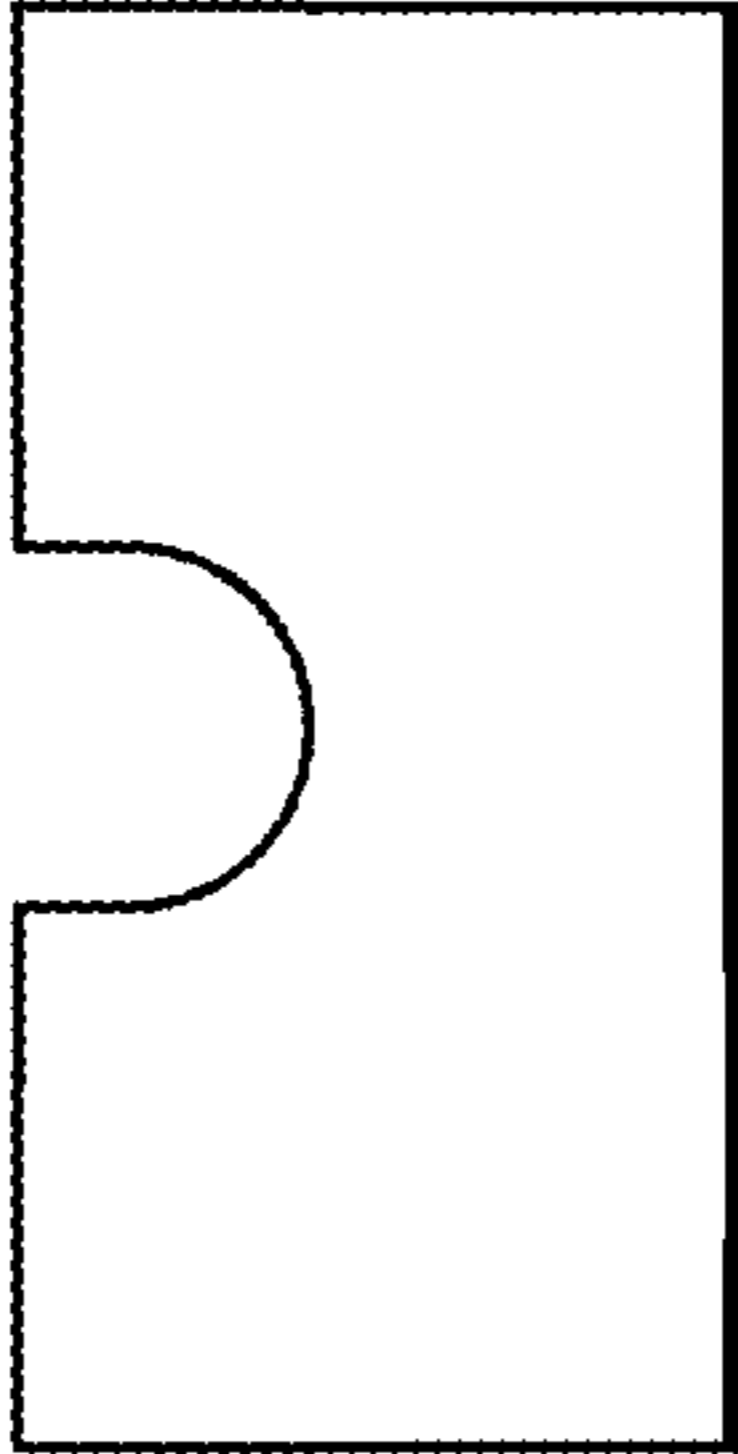


FIG. 9

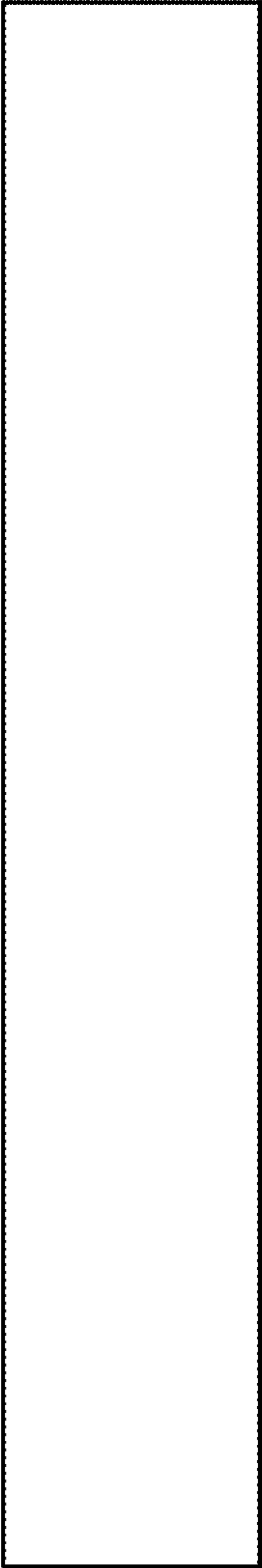


FIG. 10

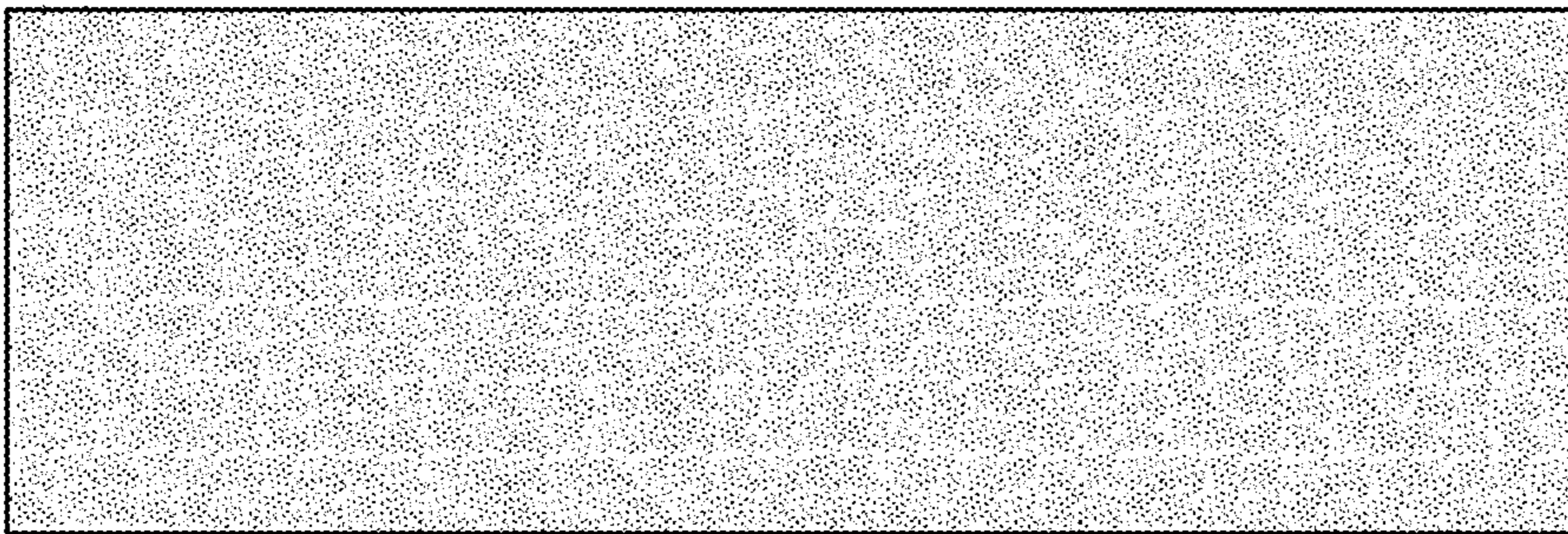


FIG. 11

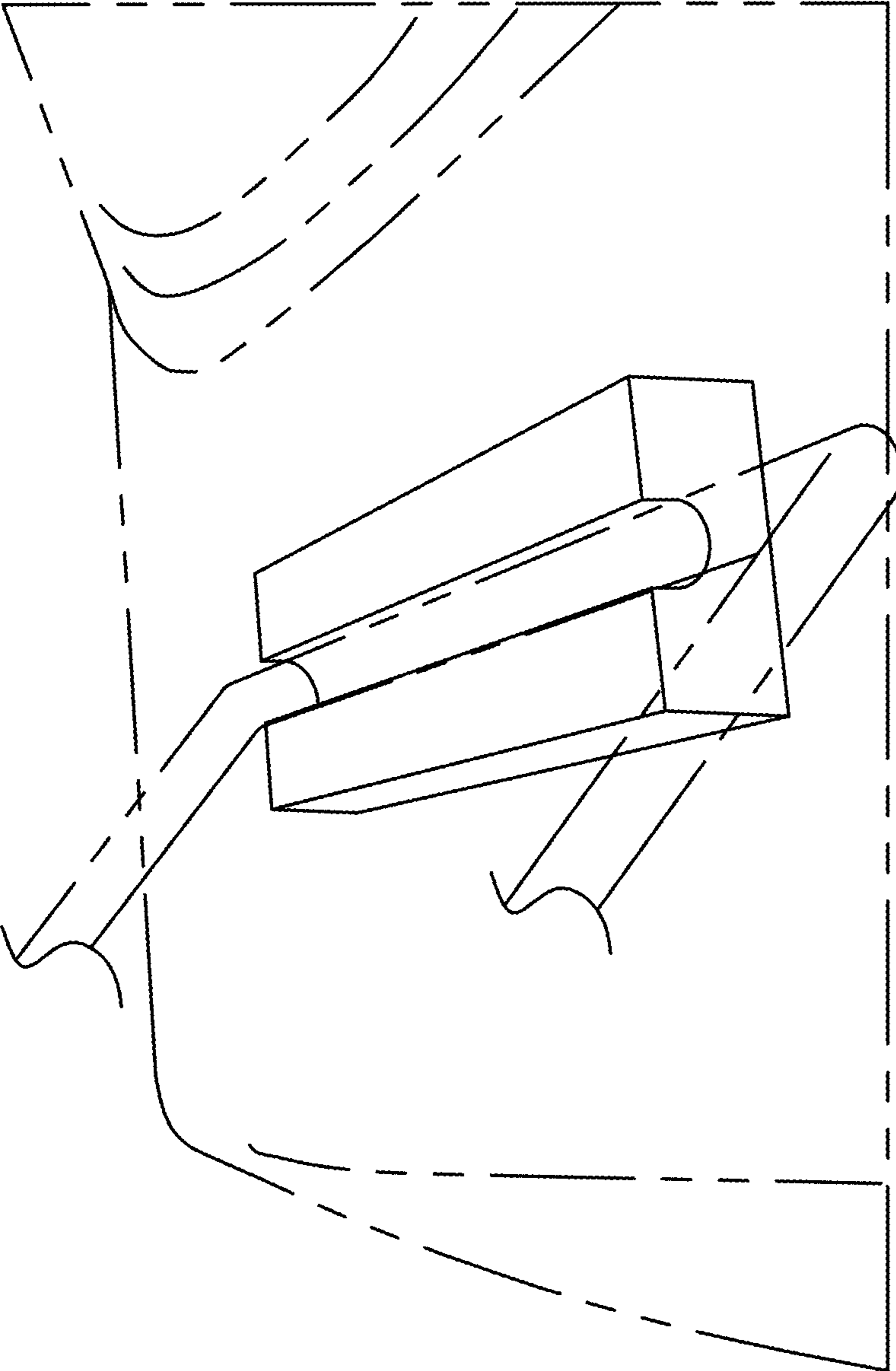


FIG. 12