



US00D807273S

(12) **United States Design Patent**
Koppenwallner

(10) **Patent No.:** **US D807,273 S**

(45) **Date of Patent:** **** Jan. 9, 2018**

(54) **GLIDER**
(71) Applicant: **Johann Schwöllner**, Strasswalchen (AT)
(72) Inventor: **Martin Koppenwallner**, Salzburg (AT)
(73) Assignee: **Johann Schwöllner**, Strasswalchen (AT)

(**) Term: **15 Years**

(21) Appl. No.: **29/561,386**

(22) Filed: **Apr. 15, 2016**

(51) **LOC (11) Cl.** **12-07**

(52) **U.S. Cl.**
USPC **D12/337**

(58) **Field of Classification Search**
USPC D12/16.1, 319–324, 326–345; D21/436,
D21/441, 443, 444, 446, 447, 448, 449,
D21/450, 451, 452, 453
CPC B64C 1/062; B64C 39/024; B64C 27/08;
B64C 29/00; B64C 39/00; B64C 23/00
See application file for complete search history.

(56) **References Cited**

U.S. PATENT DOCUMENTS

D180,297 S *	5/1957	Schmeed	D12/343
D292,909 S *	11/1987	Drake	D12/319
D317,432 S *	6/1991	Cummings	D12/337
D317,897 S *	7/1991	Antonov	D12/319
D392,937 S *	3/1998	Brichard	D12/319
D418,105 S *	12/1999	Margaritoff	D12/319
D446,764 S *	8/2001	Panatov	D12/324
D471,853 S *	3/2003	Lucchesini	D12/319
D516,007 S *	2/2006	Vigneron	D12/319
D596,267 S *	7/2009	Colgren	D12/319

D599,727 S *	9/2009	Couvelaire	D12/343
D628,528 S *	12/2010	Cabezas Carrasco	D12/319
D651,156 S *	12/2011	Gundlach	D12/319
D665,331 S *	8/2012	Sands	D12/319
D690,254 S *	9/2013	Manzhelii	D12/319
D691,547 S *	10/2013	Hall	D12/319
D706,678 S *	6/2014	Earon	D12/16.1
D708,563 S *	7/2014	Colten	D12/319
D717,227 S *	11/2014	Herzberger	D12/324
D725,548 S *	3/2015	Herald	D12/16.1
D725,576 S *	3/2015	Vickers	D12/3
D739,807 S *	9/2015	Strand	D12/324
D760,638 S *	7/2016	Beskar	D12/344
D762,157 S *	7/2016	Faure	D12/342
D763,733 S *	8/2016	Gattelli	D12/16.1

* cited by examiner

Primary Examiner — Robert M Spear

Assistant Examiner — Marissa J Cash

(74) *Attorney, Agent, or Firm* — HoustonHogle LLP

(57) **CLAIM**

The ornamental design for a glider, as shown and described.

DESCRIPTION

FIG. 1 is a top perspective view of a glider showing my new design;

FIG. 2 is a bottom perspective view thereof;

FIG. 3 is a front elevation view thereof;

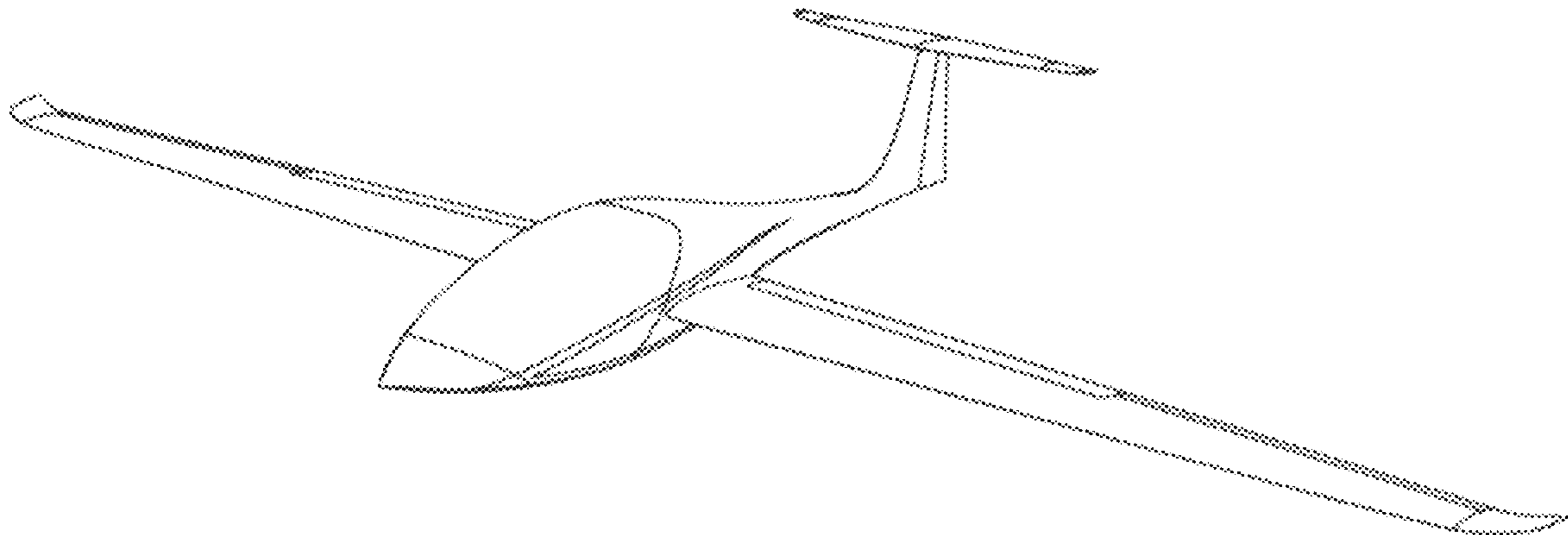
FIG. 4 is a top elevation view thereof;

FIG. 5 is a left side elevation view thereof, the right side elevation view being a mirror image of that shown;

FIG. 6 is a rear elevation view thereof; and,

FIG. 7 is a partial front elevation view thereof.

1 Claim, 7 Drawing Sheets



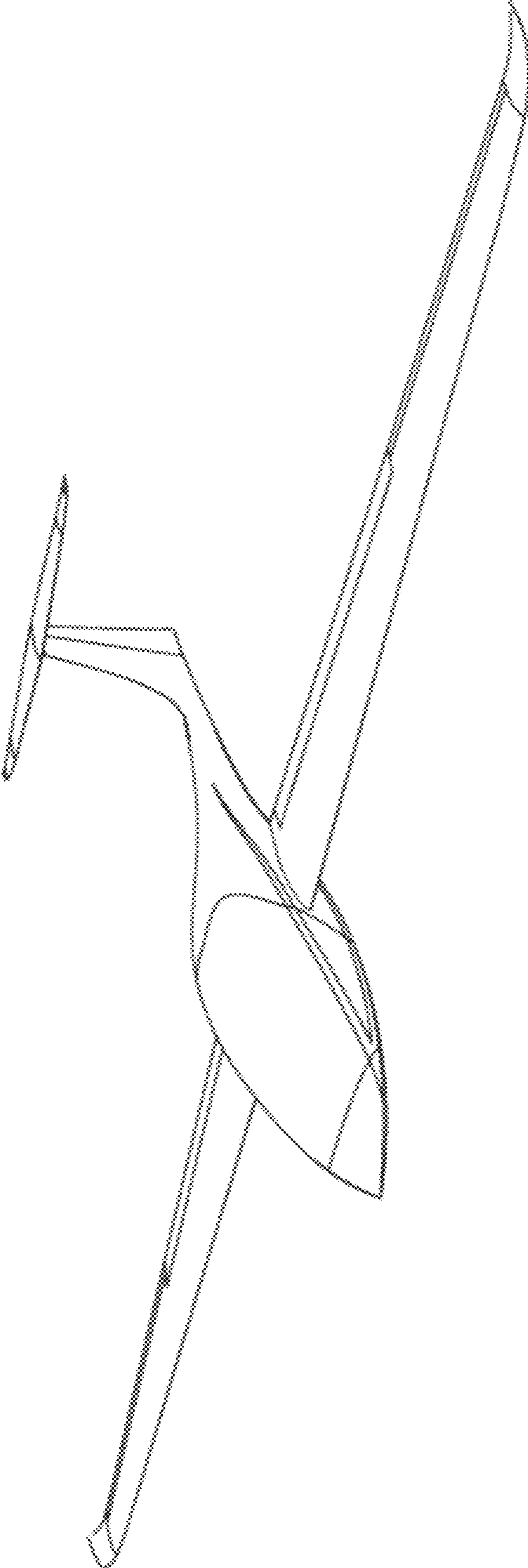


FIG. 1

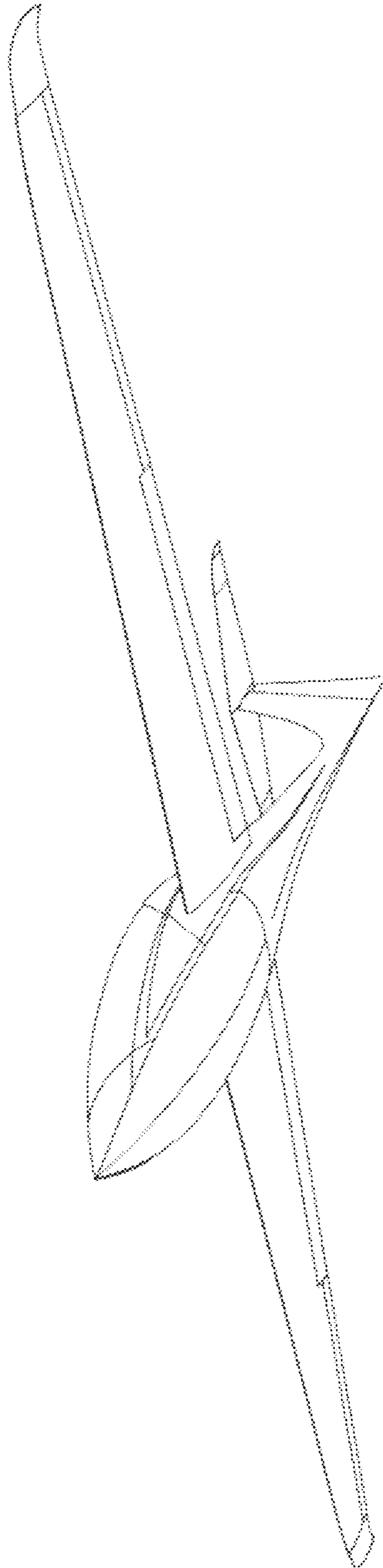


FIG. 2

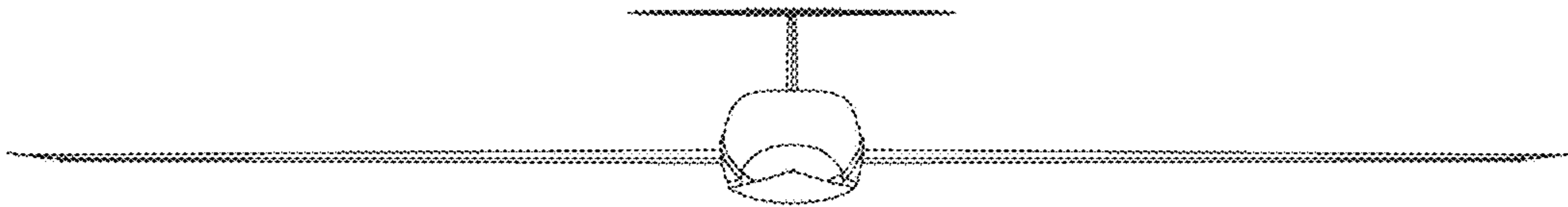


FIG. 3

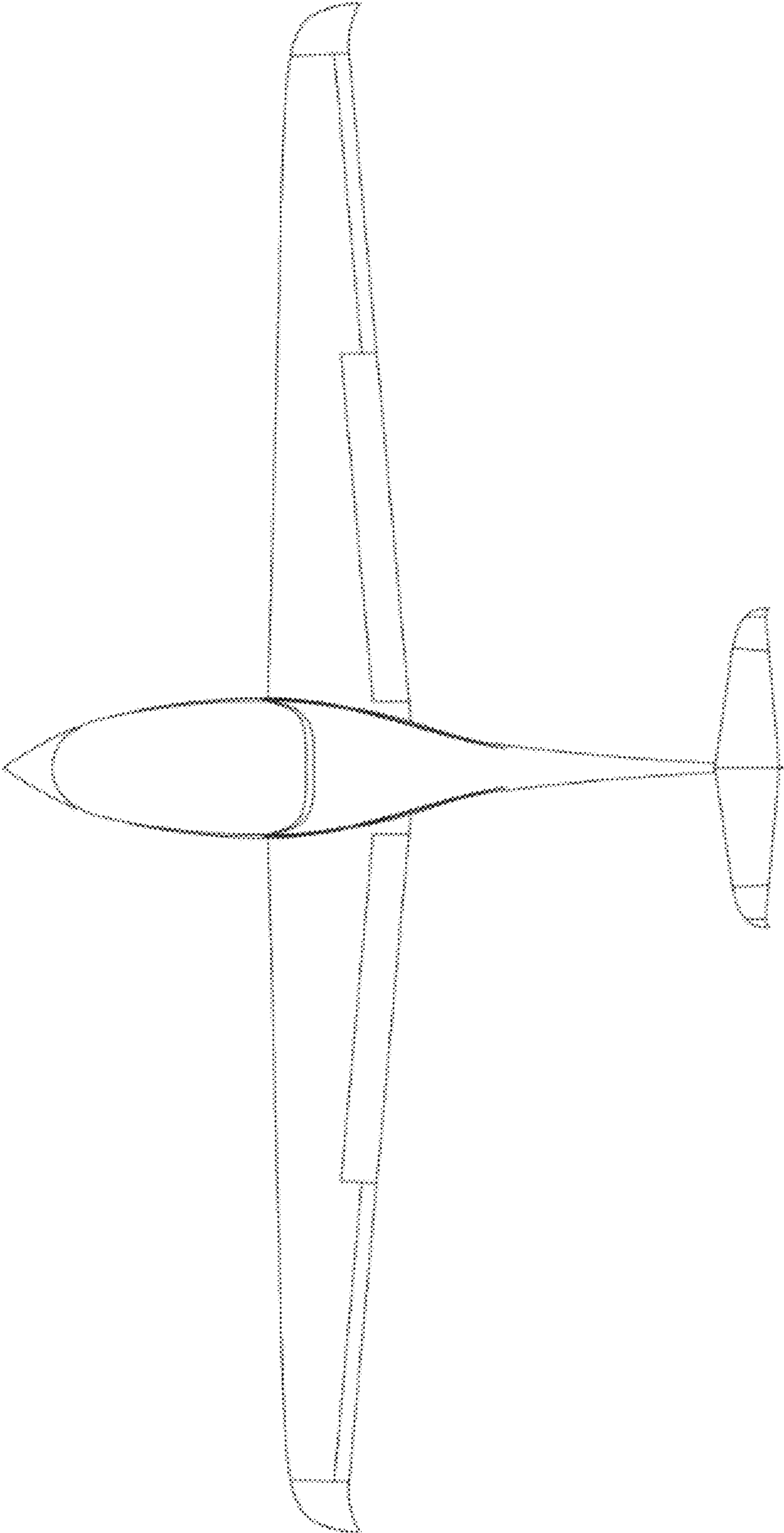


FIG. 4

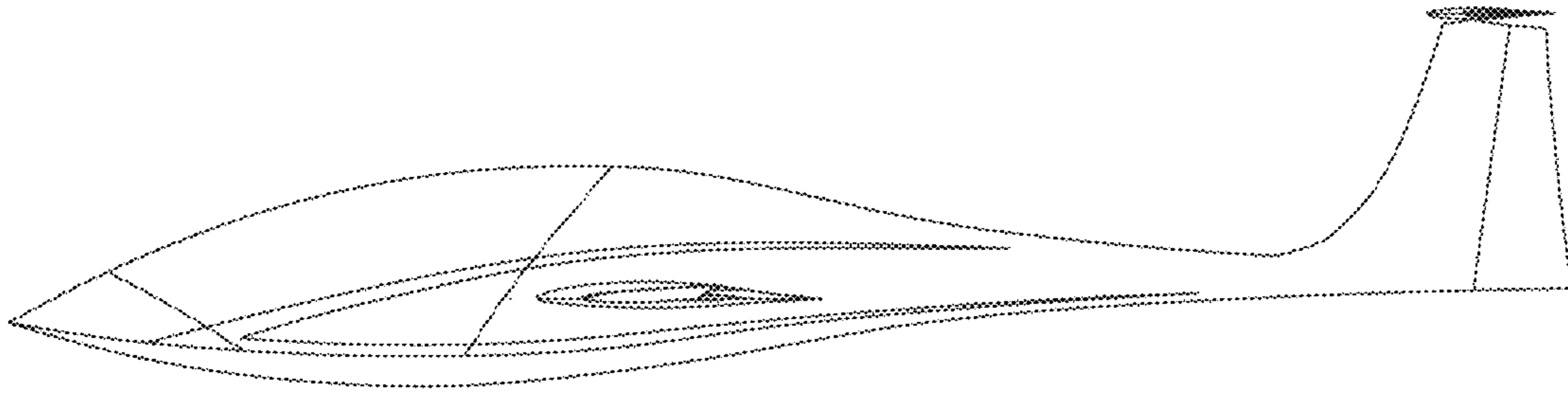


FIG. 5

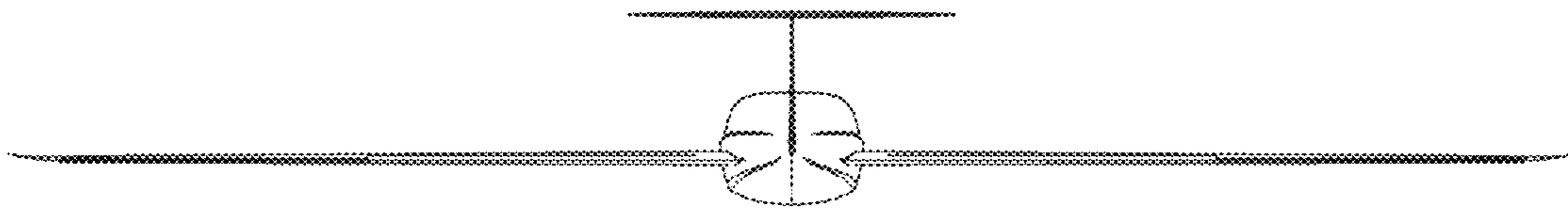


FIG. 6

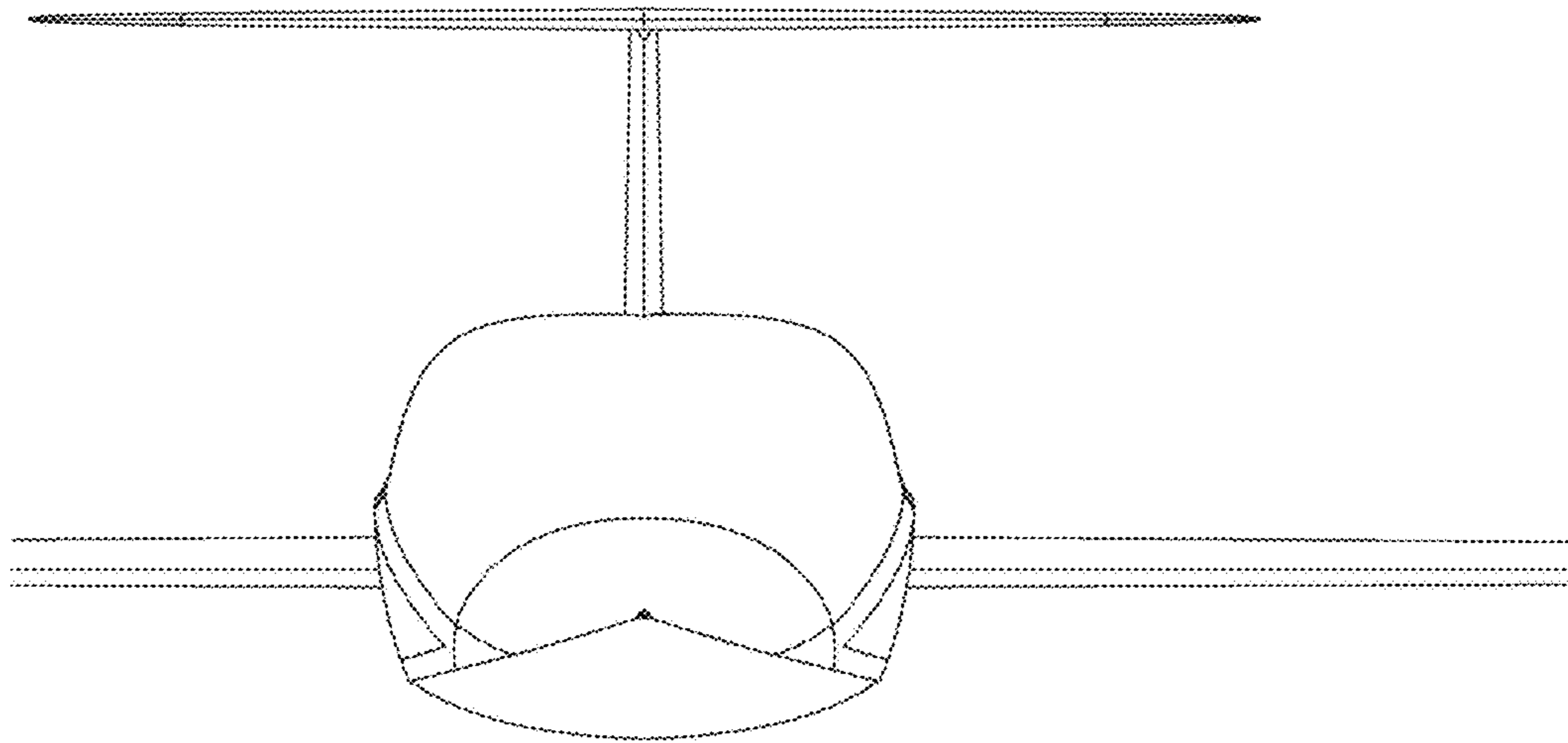


FIG. 7