



US00D807271S

(12) **United States Design Patent**
Siegel et al.

(10) **Patent No.:** **US D807,271 S**
(45) **Date of Patent:** **** Jan. 9, 2018**

- (54) **UNIVERSAL JACK MOUNT**
- (71) Applicant: **Cequent Consumer Products**, Solon, OH (US)
- (72) Inventors: **Theodore Joseph Siegel**, Mayfield Heights, OH (US); **Joshua James Krohn**, Cuyahoga Falls, OH (US); **Kedar Satish Shinde**, Mumbai (IN)
- (73) Assignee: **HORIZON GLOBAL AMERICAS INC.**, Plymouth, MI (US)
- (**) Term: **15 Years**
- (21) Appl. No.: **29/558,724**
- (22) Filed: **Mar. 21, 2016**
- (51) **LOC (11) Cl.** **12-06**
- (52) **U.S. Cl.**
USPC **D12/223**
- (58) **Field of Classification Search**
USPC D12/223, 114, 604, 406, 202, 400, 415; D8/71, 349, 354, 373, 380, 382; D34/28, D34/31
CPC B66F 1/04; B66F 1/06; B66F 2700/02; B66F 2700/025; B60S 9/00; B60S 9/04; B60S 9/22
See application file for complete search history.

- D509,039 S * 8/2005 Peschmann D34/31
 - D515,910 S * 2/2006 Gates B60R 9/06
D8/354
 - D557,117 S * 12/2007 Cannaverde D8/354
 - D689,537 S * 9/2013 Campbell D16/237
 - D701,107 S * 3/2014 White D8/354
 - D763,060 S * 8/2016 Remmel D8/349
 - 2004/0159826 A1 * 8/2004 Peschmann B60S 9/22
254/420
 - 2009/0242862 A1 * 10/2009 Walton B66F 5/00
254/8 B
 - 2016/0340164 A1 * 11/2016 Koteski B66F 13/00
- * cited by examiner

Primary Examiner — Sandra Snapp
Assistant Examiner — Ieisha Price
 (74) *Attorney, Agent, or Firm* — McDonald Hopkins LLC

(57) **CLAIM**

The ornamental design for a universal jack mount, as shown and described.

DESCRIPTION

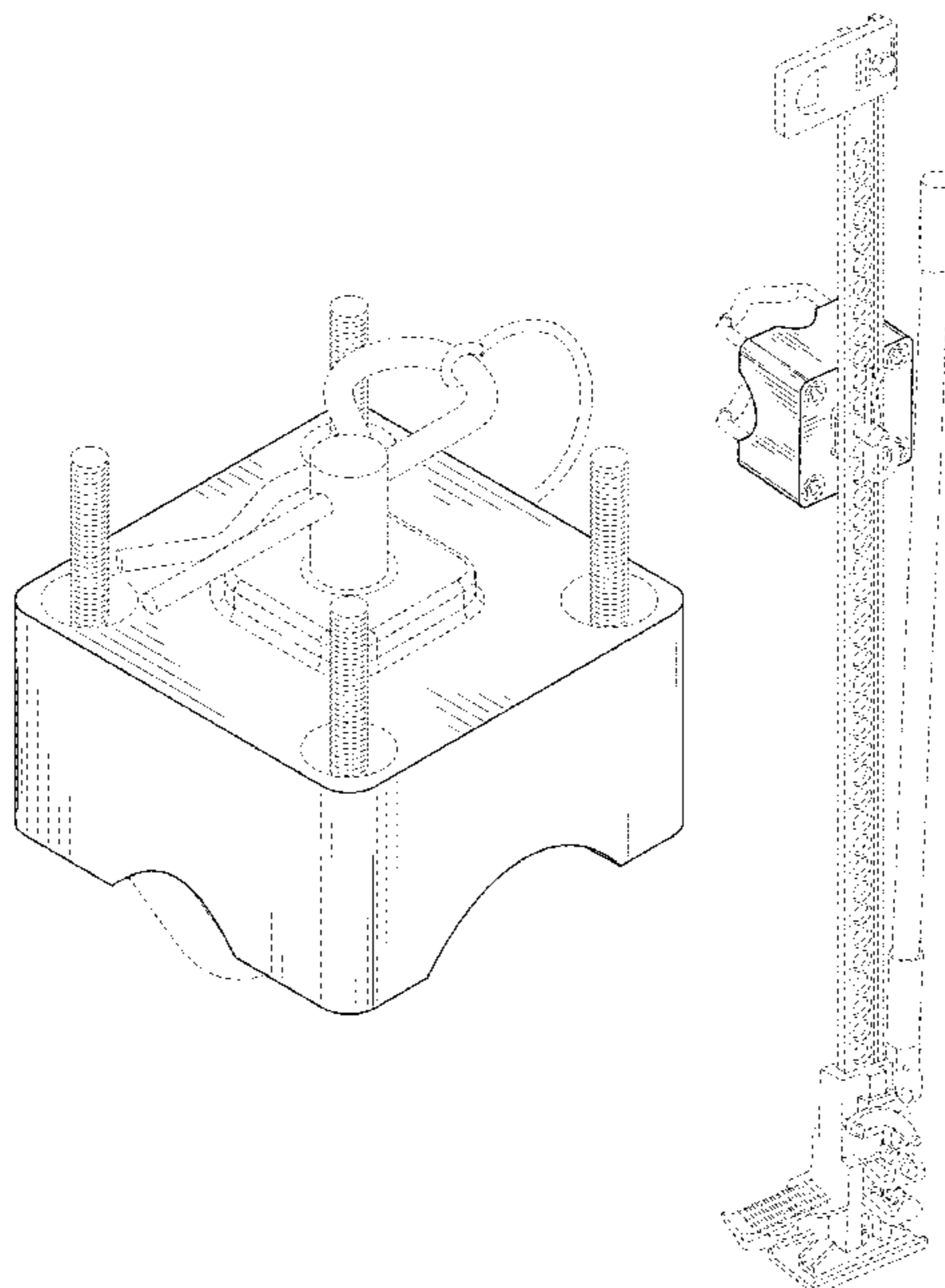
FIG. 1 is a perspective view of a universal jack mount showing our new design;
 FIG. 2 is a front view thereof;
 FIG. 3 is a rear view thereof;
 FIG. 4 is a first side view thereof;
 FIG. 5 is a second side view thereof;
 FIG. 6 is a top view thereof;
 FIG. 7 is a bottom view thereof;
 FIG. 8 is a perspective exploded view thereof; and,
 FIG. 9 is an environmental perspective view of the universal jack mount, shown attached to a jack.
 The broken lines in the figures are included for the purpose of illustrating portions of a universal jack mount or its environment and form no part of the claimed design.

1 Claim, 6 Drawing Sheets

(56) **References Cited**

U.S. PATENT DOCUMENTS

- D261,757 S * 11/1981 Wunderlich D13/133
- D298,011 S * 10/1988 Jans D8/349
- D356,244 S * 3/1995 Merritt D8/394
- D368,569 S * 4/1996 Winslow D34/31
- D436,836 S * 1/2001 Erwin D8/354
- D506,589 S * 6/2005 Harrah D34/35



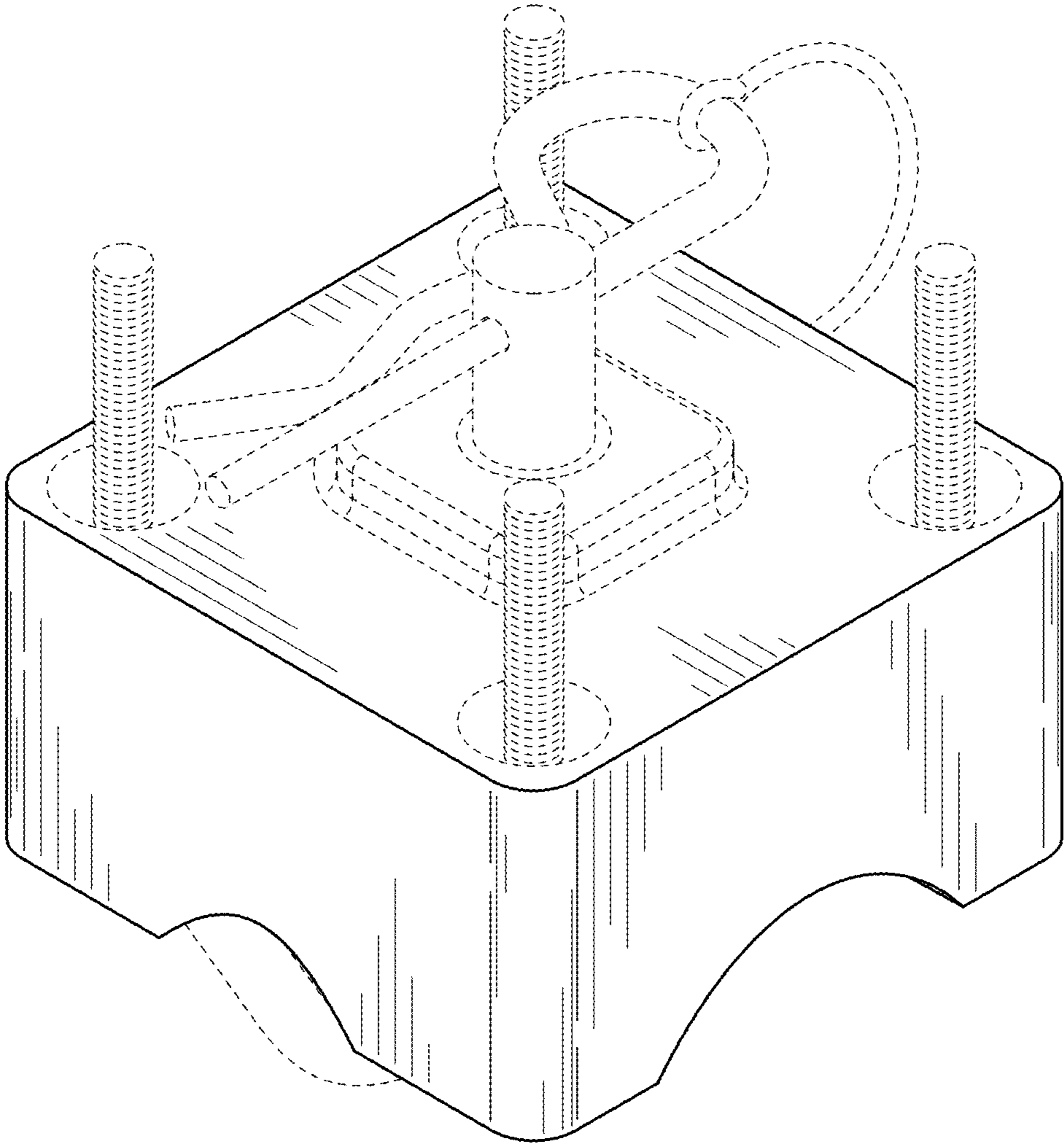


FIG. 1

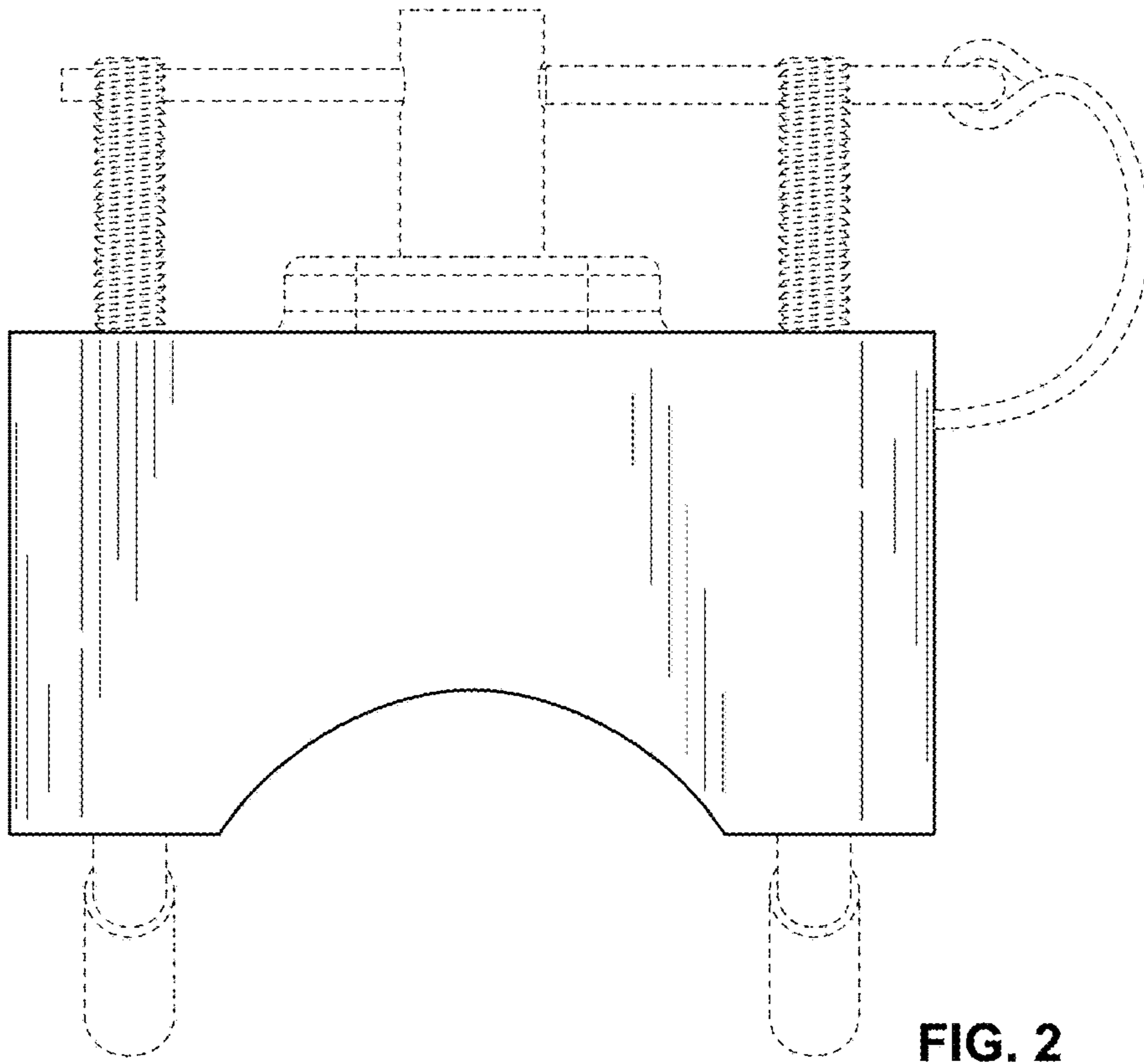


FIG. 2

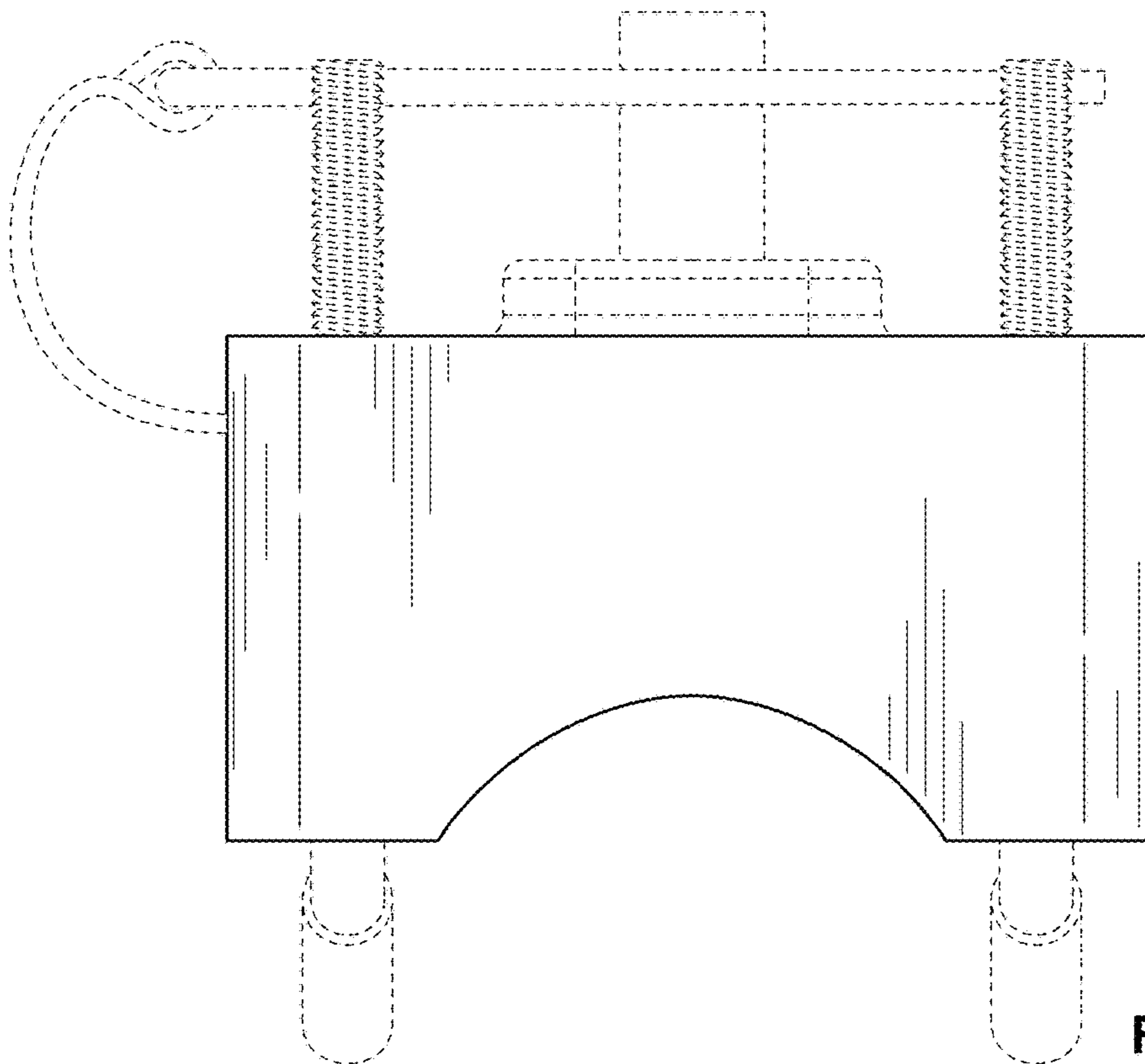


FIG. 3

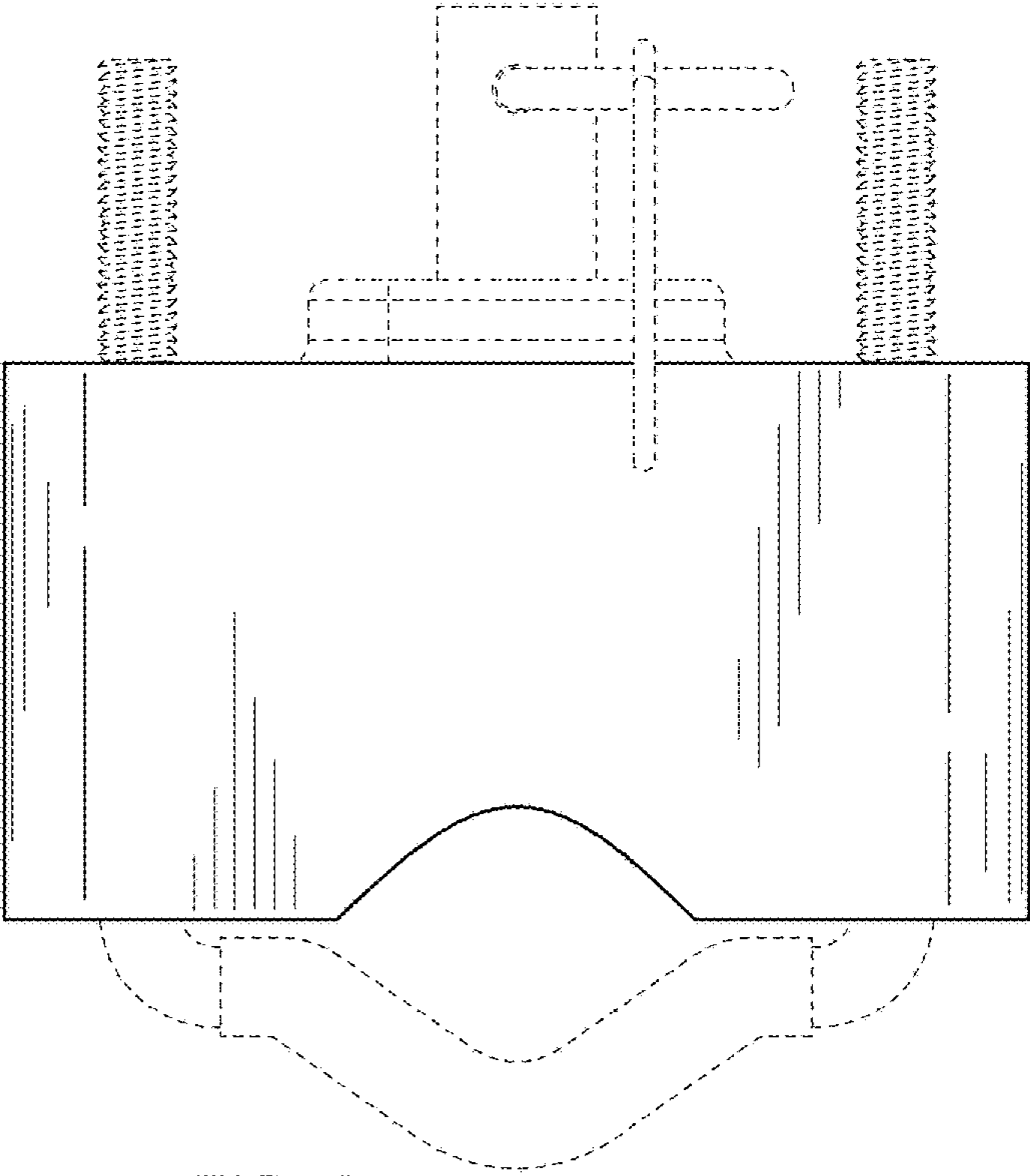


FIG. 4

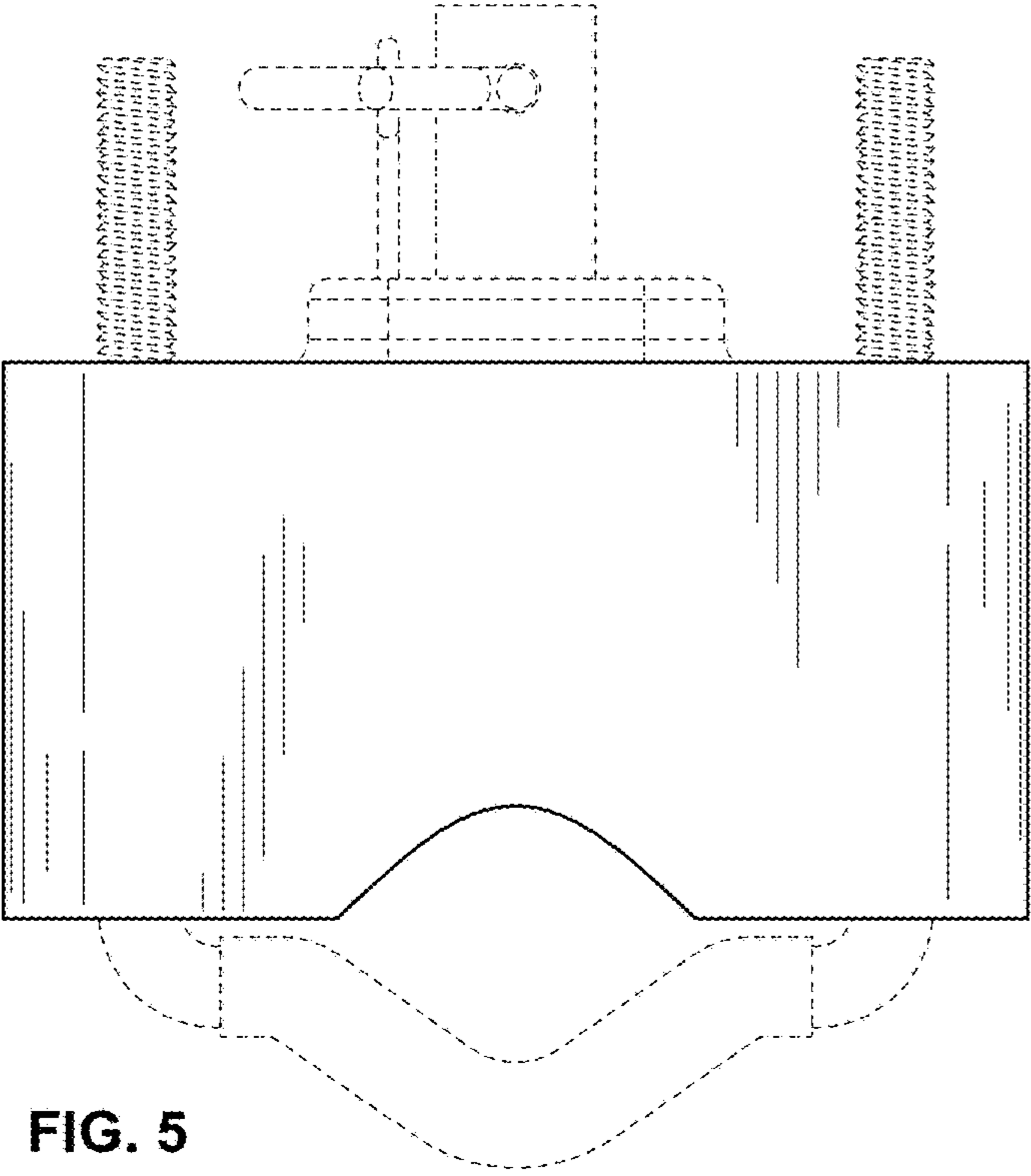


FIG. 5

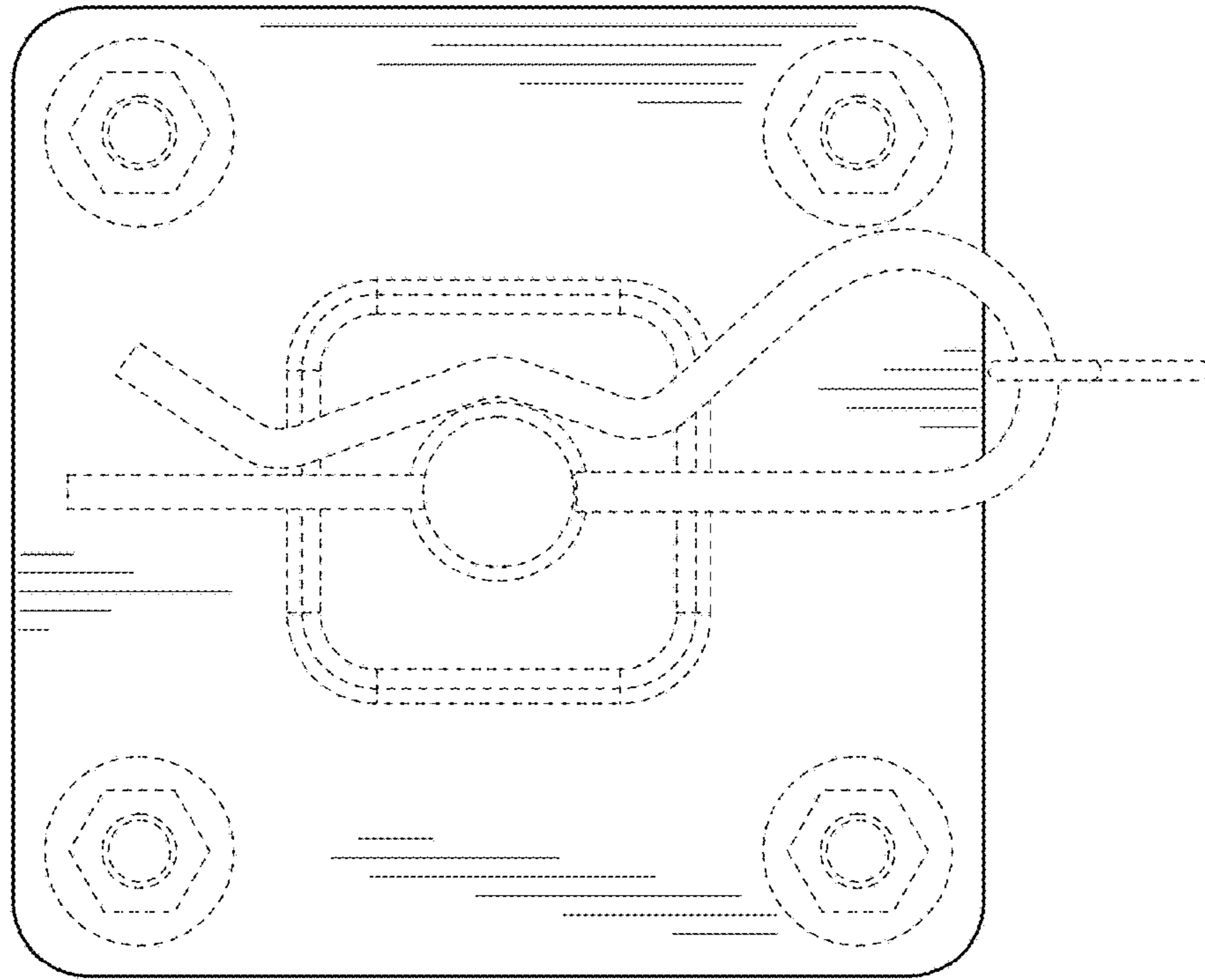


FIG. 6

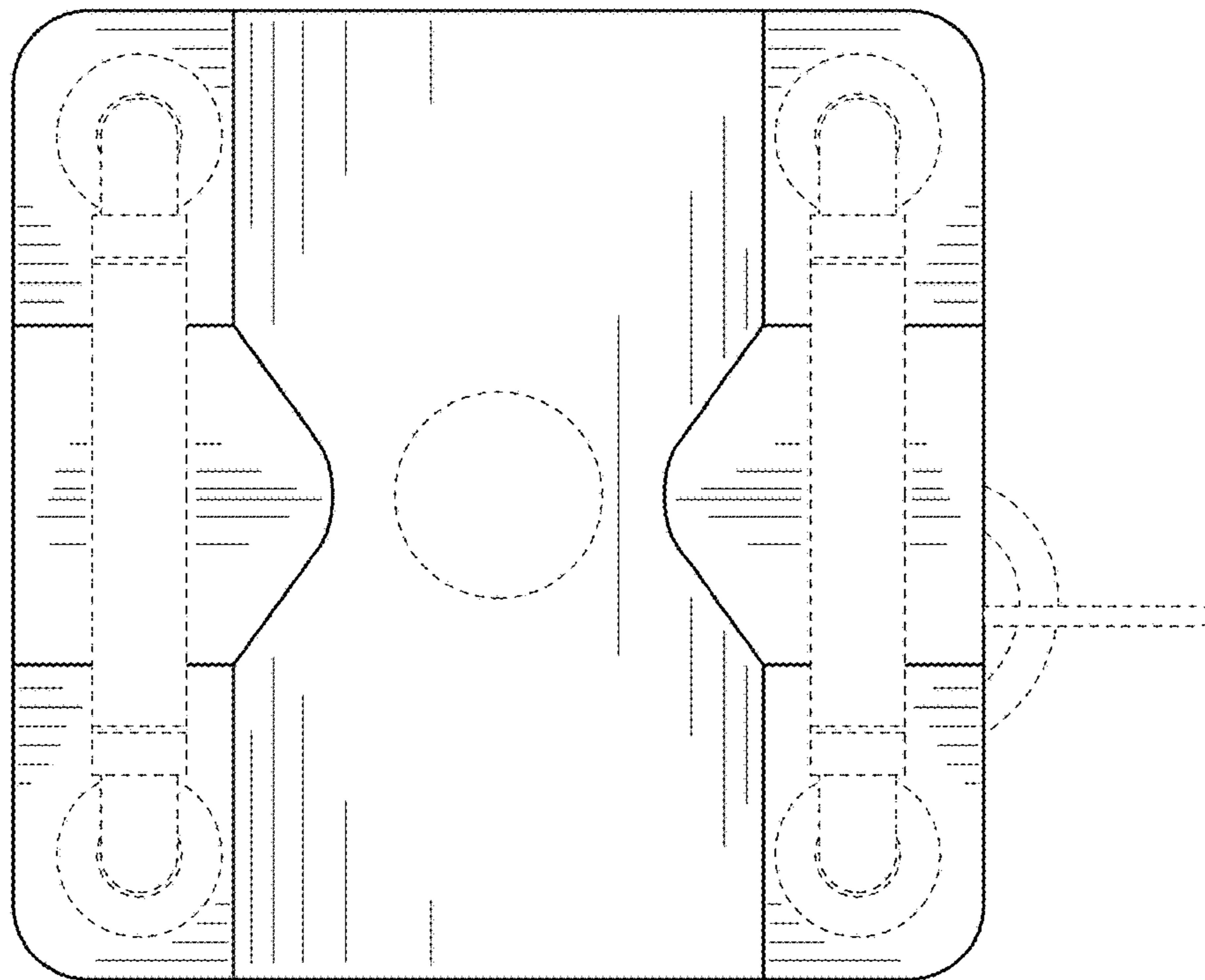


FIG. 7

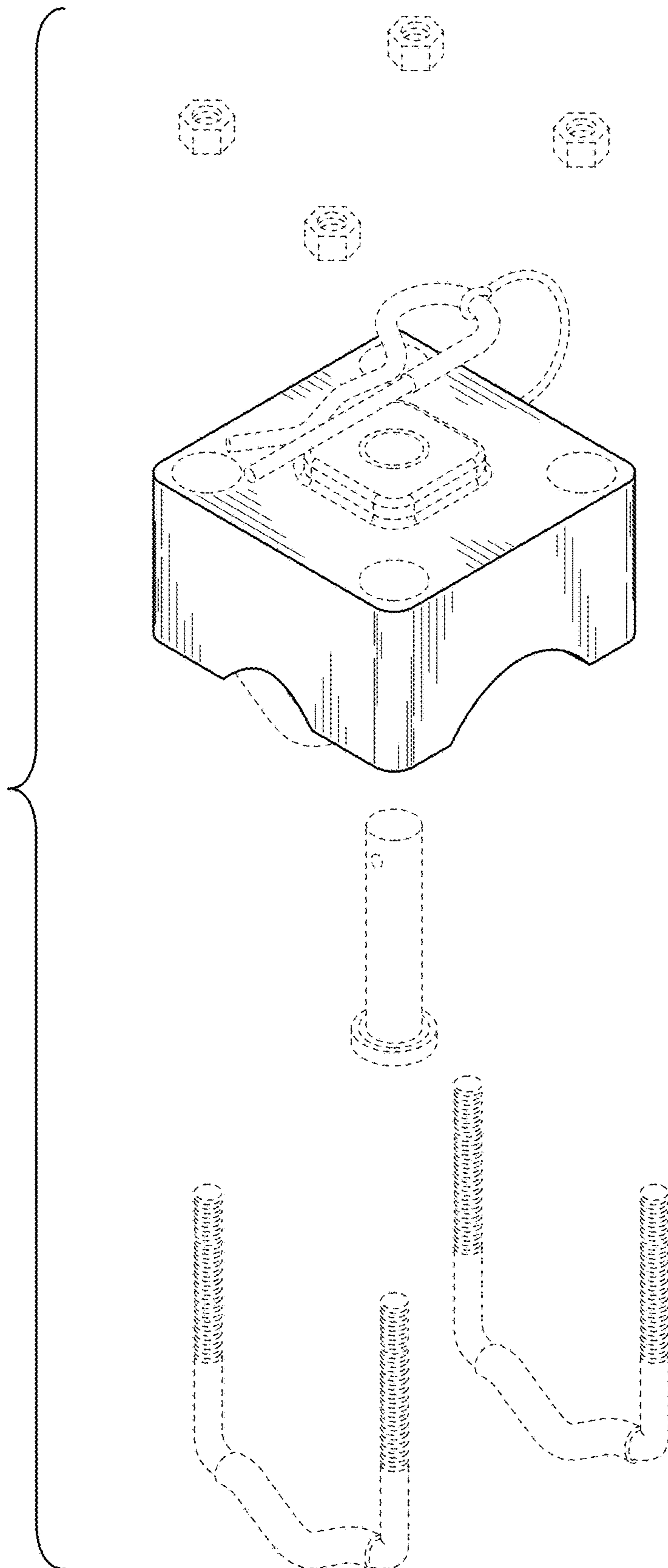


FIG. 8

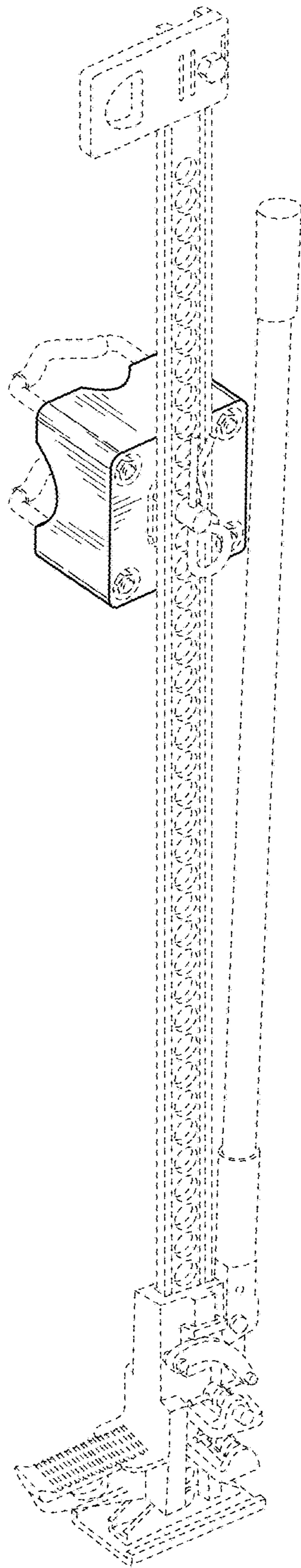


FIG. 9