



US00D807268S

(12) **United States Design Patent**  
**Dunshee et al.**

(10) **Patent No.:** **US D807,268 S**  
(45) **Date of Patent:** **\*\* Jan. 9, 2018**

(54) **REAR GATE FOR FOUR-WHEELED VEHICLE**

(71) Applicant: **HONDA MOTOR CO., LTD.**, Tokyo (JP)

(72) Inventors: **Erik Dunshee**, Torrance, CA (US); **Jun Tomiyama**, Wako (JP)

(73) Assignee: **HONDA MOTOR CO., LTD.**, Tokyo (JP)

(\*\*) Term: **14 Years**

(21) Appl. No.: **29/523,040**

(22) Filed: **Apr. 6, 2015**

(51) **LOC (11) Cl.** ..... **12-16**

(52) **U.S. Cl.**  
USPC ..... **D12/196**

(58) **Field of Classification Search**  
USPC ..... D12/86, 88, 90, 91, 92, 181, 184, 196;  
D21/424, 433, 434; 296/181.5, 181.2  
CPC .... B62D 25/00; B62D 25/02; B62D 33/0273;  
B62D 33/027; B62D 24/02  
See application file for complete search history.

(56) **References Cited**

**U.S. PATENT DOCUMENTS**

5,669,654 A *	9/1997	Eilers	.....	B60P 1/003 296/26.11
D397,978 S *	9/1998	Helgeson	.....	D12/196
D420,317 S *	2/2000	Ney	.....	D12/196
D456,311 S *	4/2002	Yamamoto	.....	D12/86
D494,910 S *	8/2004	Metros	.....	D12/196
6,905,157 B2 *	6/2005	Kang	.....	B62D 33/0273 296/55
D508,440 S *	8/2005	Hall	.....	D12/98
D508,441 S *	8/2005	Moushegian	.....	D12/86
D560,584 S *	1/2008	Tant	.....	D12/196

D567,144 S *	4/2008	Pocobello	.....	D12/86
D603,306 S *	11/2009	Jung	.....	D12/164
D604,682 S *	11/2009	Kawaguchi	.....	D12/196
D607,783 S *	1/2010	Roller	.....	D12/98
D633,008 S *	2/2011	Nakamura	.....	D12/90
D684,515 S *	6/2013	Oliver	.....	296/26.11
D710,777 S *	8/2014	Platto	.....	D12/196
D713,309 S *	9/2014	Scheinhuette	.....	D12/196
D721,024 S *	1/2015	Thole	.....	D12/196
D750,002 S *	2/2016	Sato	.....	D12/196
D758,271 S *	6/2016	McMahan	.....	D12/196

(Continued)

*Primary Examiner* — Derrick Holland

*Assistant Examiner* — Yolanda Robinson

(74) *Attorney, Agent, or Firm* — Birch, Stewart, Kolasch & Birch, LLP

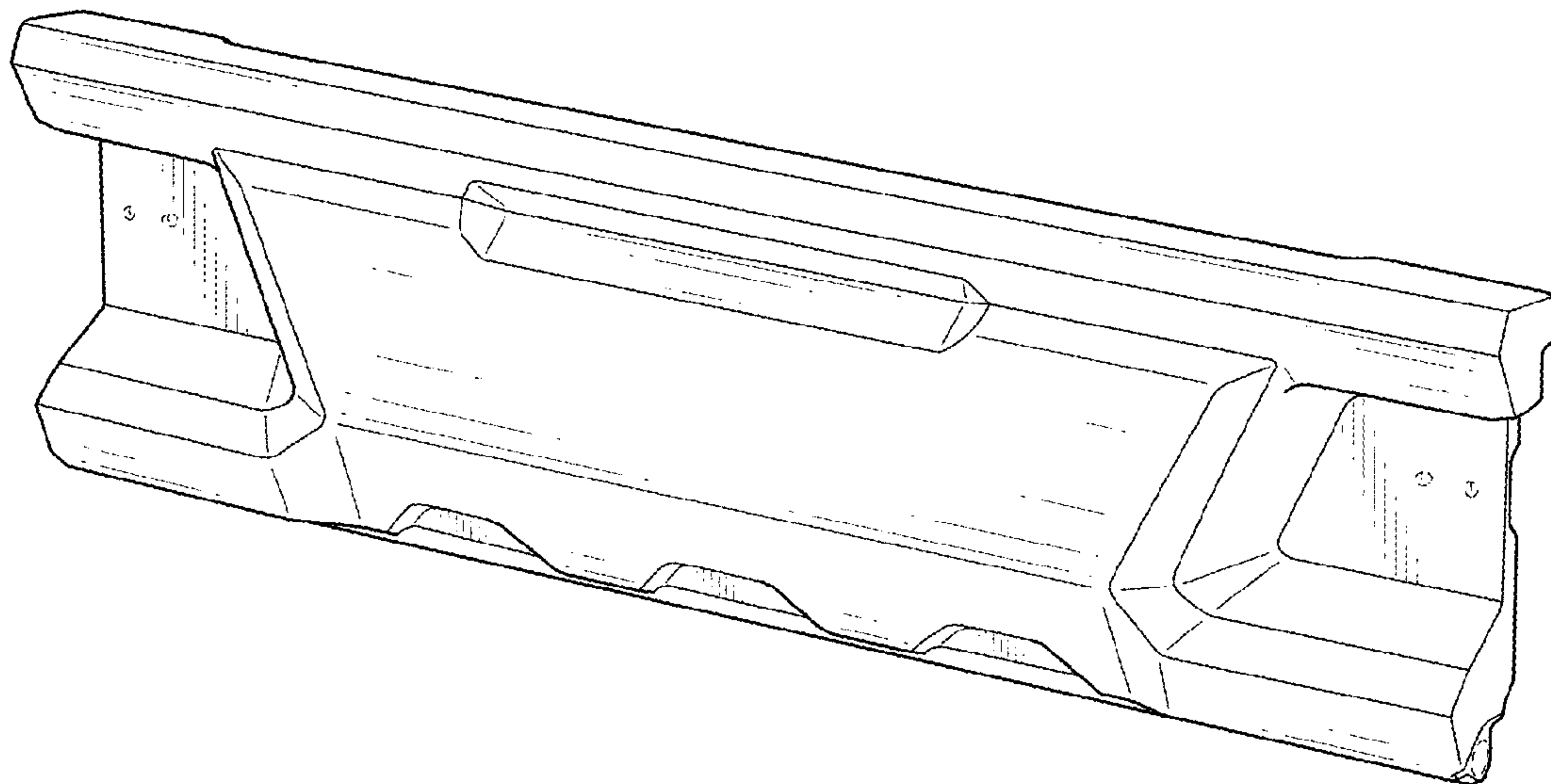
(57) **CLAIM**

The ornamental design for a rear gate for four-wheeled vehicle, as shown and described.

**DESCRIPTION**

FIG. 1 is a perspective view from the front right side of a rear gate for four-wheeled vehicle;  
 FIG. 2 is a perspective view from the rear right side thereof;  
 FIG. 3 is a perspective view from the front left side thereof;  
 FIG. 4 is a perspective view from the rear left side thereof;  
 FIG. 5 is a front elevation view thereof;  
 FIG. 6 is a rear elevation view thereof;  
 FIG. 7 is a top plan view thereof;  
 FIG. 8 is a bottom plan view thereof;  
 FIG. 9 is a left side elevation view thereof;  
 FIG. 10 is a right side elevation view thereof; and,  
 FIG. 11 is a rear elevation showing the rear gate for four-wheeled vehicle in use.  
 The broken lines shown represent unclaimed subject matter and form no part of the claimed design.

**1 Claim, 11 Drawing Sheets**



(56)

**References Cited**

U.S. PATENT DOCUMENTS

2004/0202000 A1\* 10/2004 Nagase ..... B60Q 1/2661  
362/485

\* cited by examiner

FIG. 1

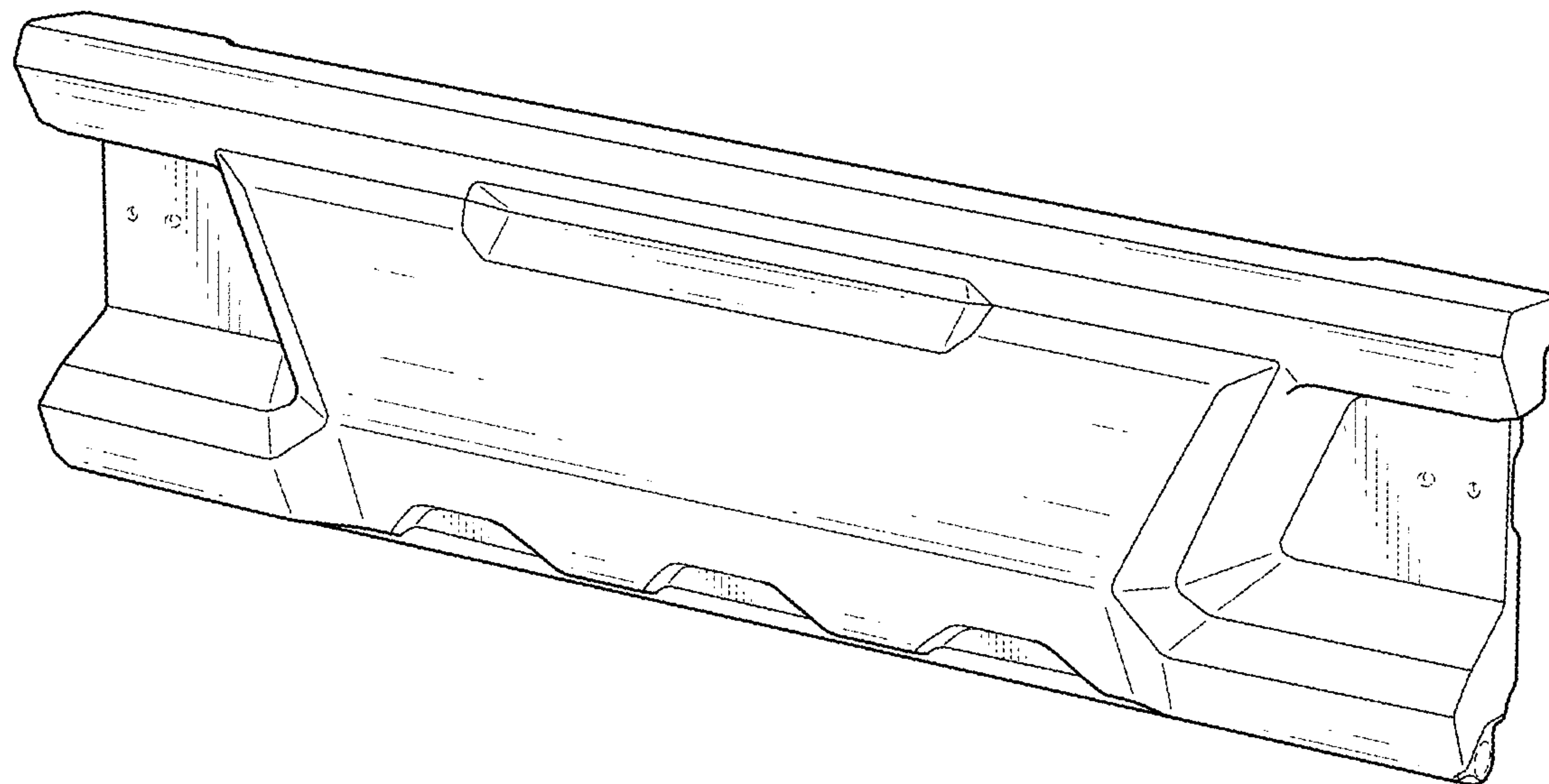


FIG. 2

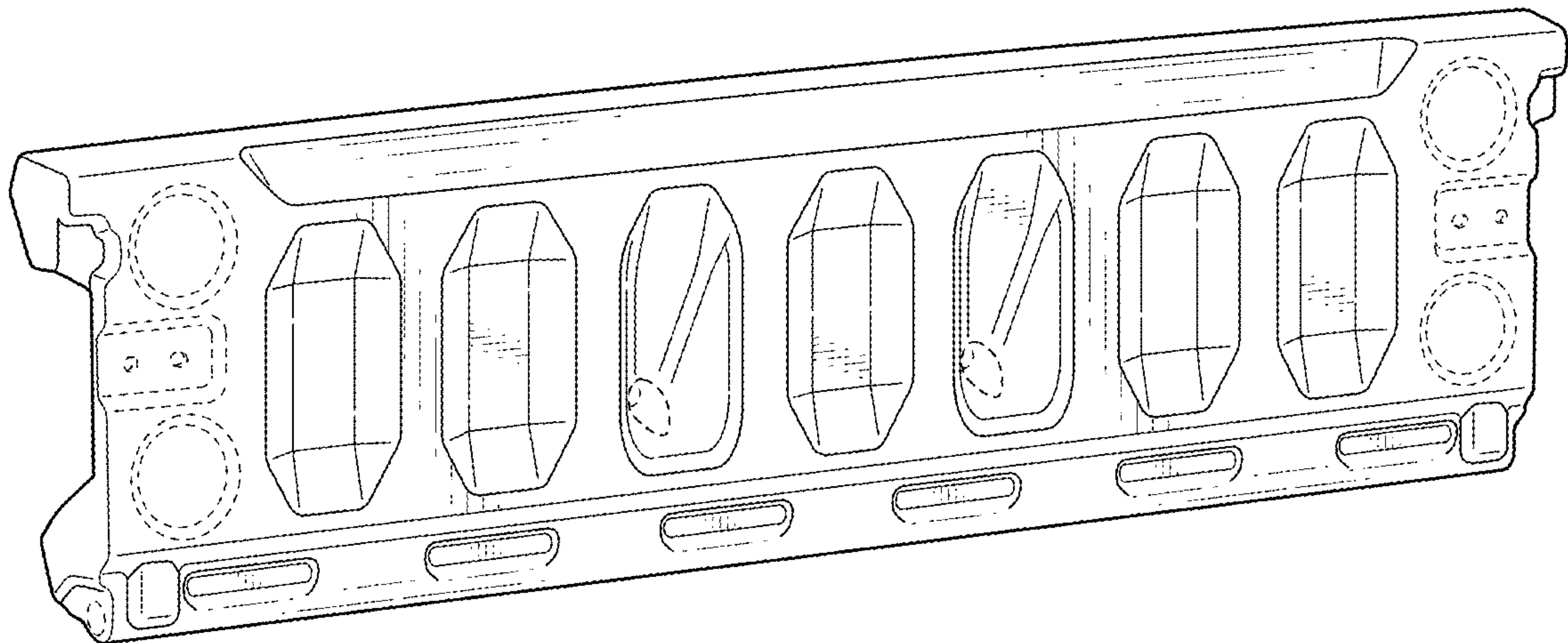


FIG. 3

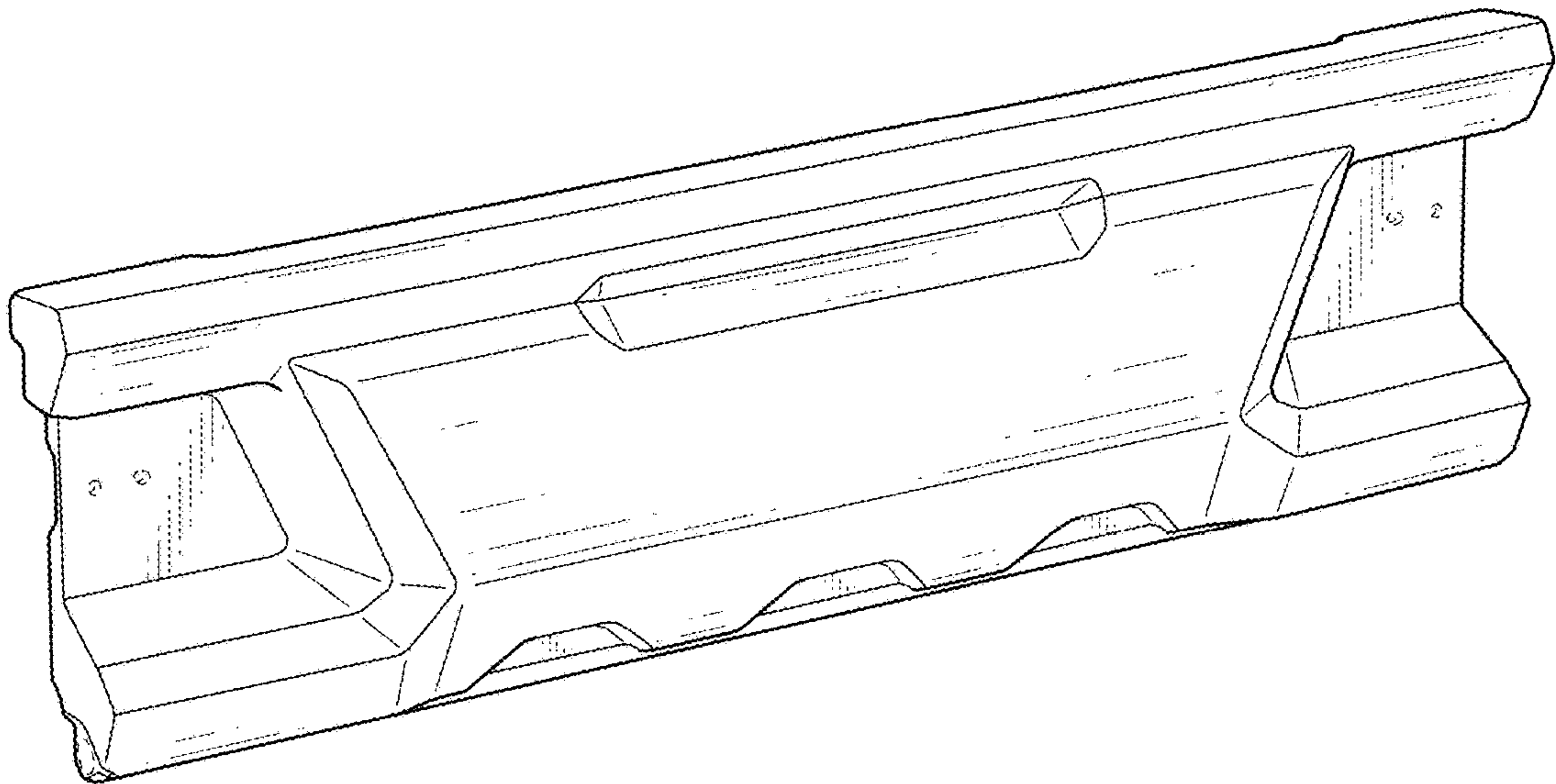




FIG. 4

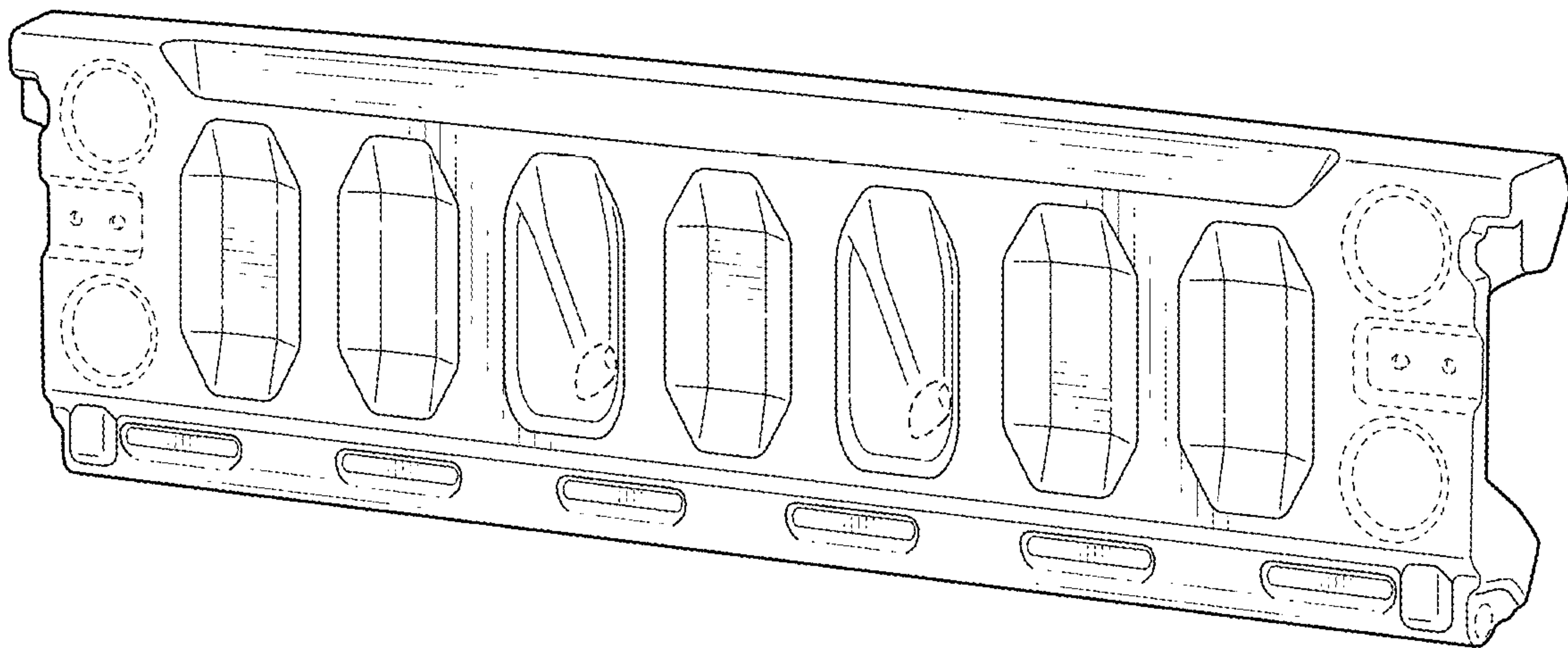


FIG. 5

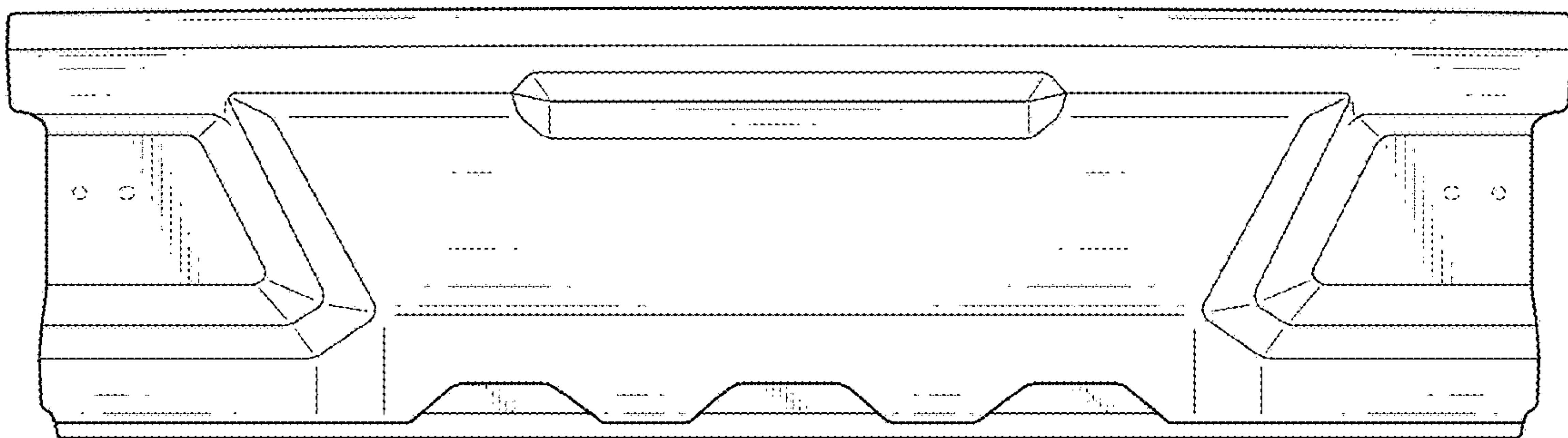


FIG. 6

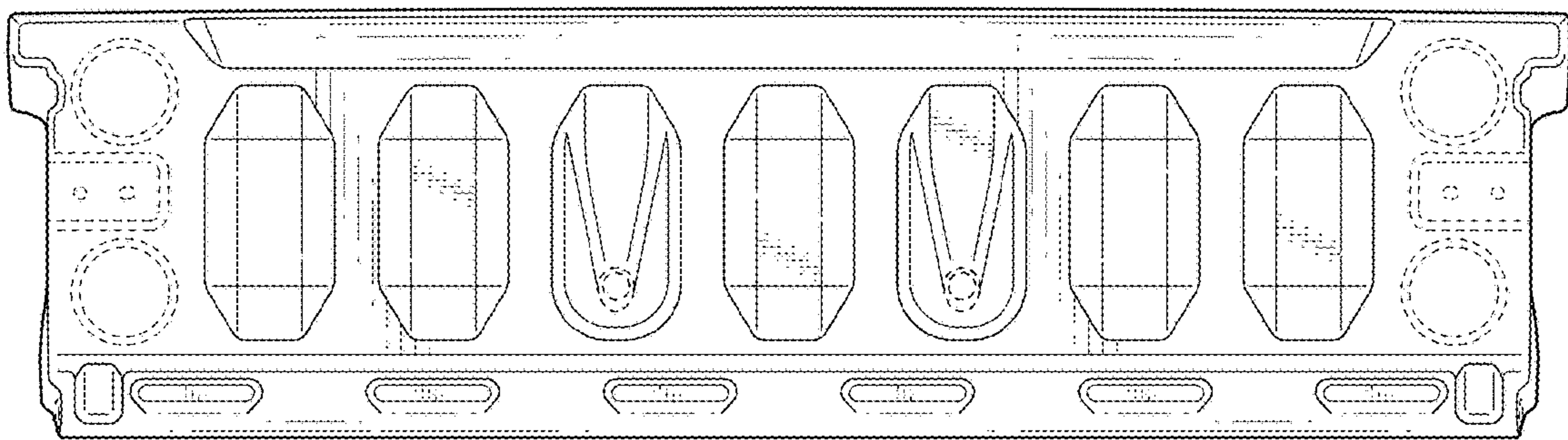




FIG. 7

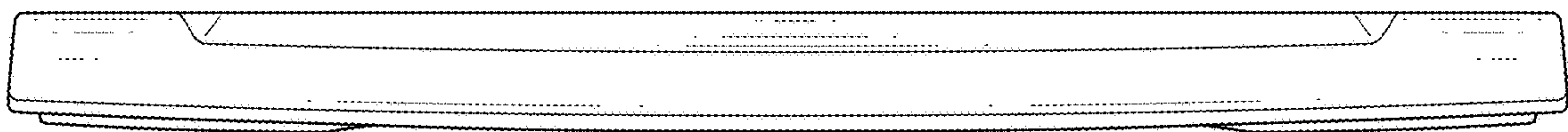


FIG. 8

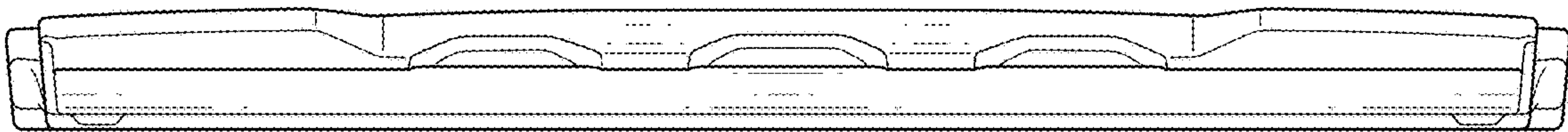


FIG. 9

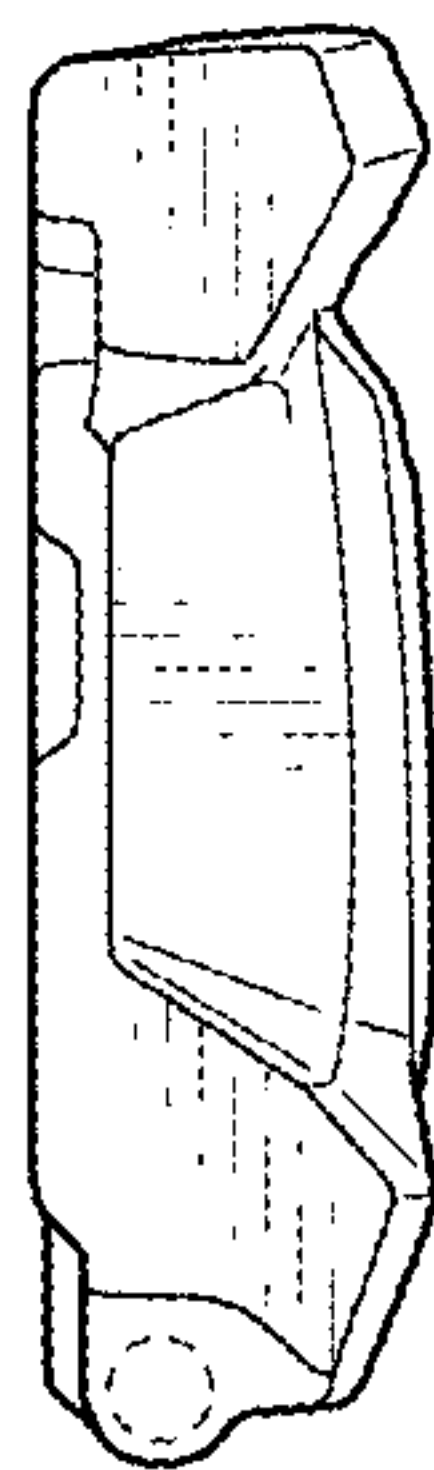


FIG. 10

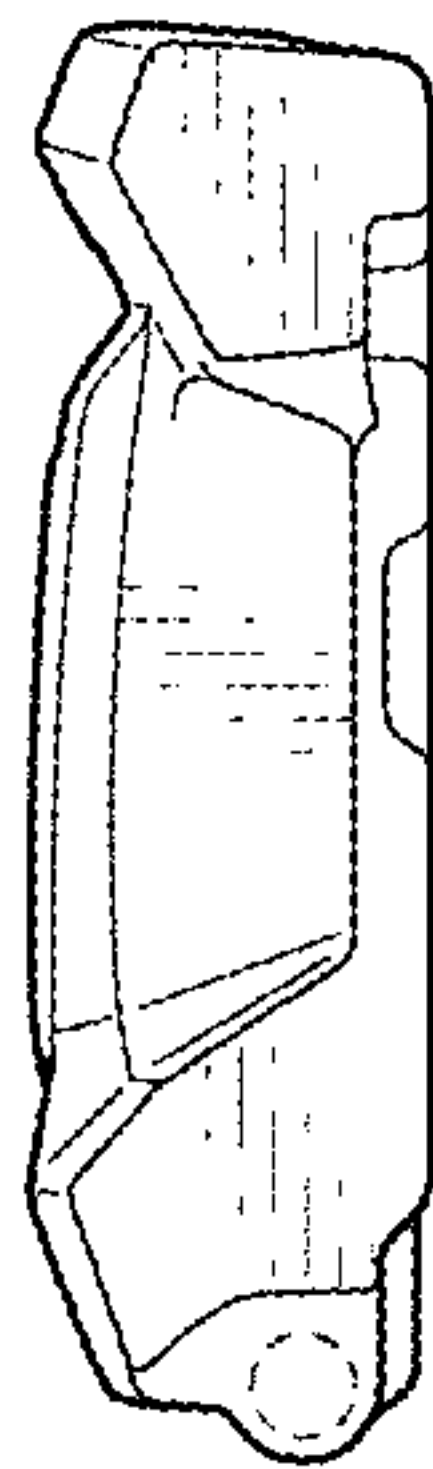


FIG. 11

