



US00D807267S

(12) **United States Design Patent**  
**Higashimori**

(10) **Patent No.:** **US D807,267 S**

(45) **Date of Patent:** **\*\* Jan. 9, 2018**

(54) **FRONT DOOR LINING FOR AUTOMOBILE**

(71) Applicant: **HONDA MOTOR CO., LTD.**, Tokyo (JP)

(72) Inventor: **Yuki Higashimori**, Wako (JP)

(73) Assignee: **HONDA MOTOR CO., LTD.**, Tokyo (JP)

(\*\*) Term: **15 Years**

(21) Appl. No.: **29/580,237**

(22) Filed: **Oct. 6, 2016**

(30) **Foreign Application Priority Data**

Apr. 12, 2016 (JP) ..... 2016-008094

(51) **LOC (11) Cl.** ..... **12-08**

(52) **U.S. Cl.**  
USPC ..... **D12/195**

(58) **Field of Classification Search**  
USPC ..... D12/195, 193, 414, 190, 196; D15/17,  
D15/28, 46, 98, 102-103; D10/302-303  
CPC ..... B60J 5/04; B60N 2/466; B60N 2/4693;  
B60R 13/0243; B60R 13/02  
See application file for complete search history.

(56) **References Cited**

**U.S. PATENT DOCUMENTS**

D726,082 S \* 4/2015 Finney ..... D12/195  
D743,863 S \* 11/2015 Finney ..... D12/195

D756,873 S \* 5/2016 Donckerwolke ..... D12/195  
D761,176 S \* 7/2016 Sandys ..... D12/195  
D763,757 S \* 8/2016 Buffery ..... D12/195  
D766,791 S \* 9/2016 Buffery ..... D12/195  
D766,792 S \* 9/2016 Shimizu ..... D12/195  
D768,042 S \* 10/2016 Lee ..... D12/195  
D783,481 S \* 4/2017 Yamamoto ..... D12/195  
D784,883 S \* 4/2017 Lee ..... D12/195

\* cited by examiner

*Primary Examiner* — Katrina A Betton

(74) *Attorney, Agent, or Firm* — Westerman, Hattori,  
Daniels & Adrian, LLP

(57) **CLAIM**

The ornamental design for a front door lining for automobile, as shown and described.

**DESCRIPTION**

FIG. 1 is a perspective view from a front and right side of a front door lining for automobile;  
FIG. 2 is a perspective view from the front and left side thereof;  
FIG. 3 is a front elevation view thereof;  
FIG. 4 is a top plan view thereof;  
FIG. 5 is a bottom plan view thereof;  
FIG. 6 is a left side elevation view thereof; and,  
FIG. 7 is a right side elevation view thereof.  
The broken lines in the drawings illustrate portions of the front door lining for automobile that forms no part of the claimed design.

**1 Claim, 7 Drawing Sheets**

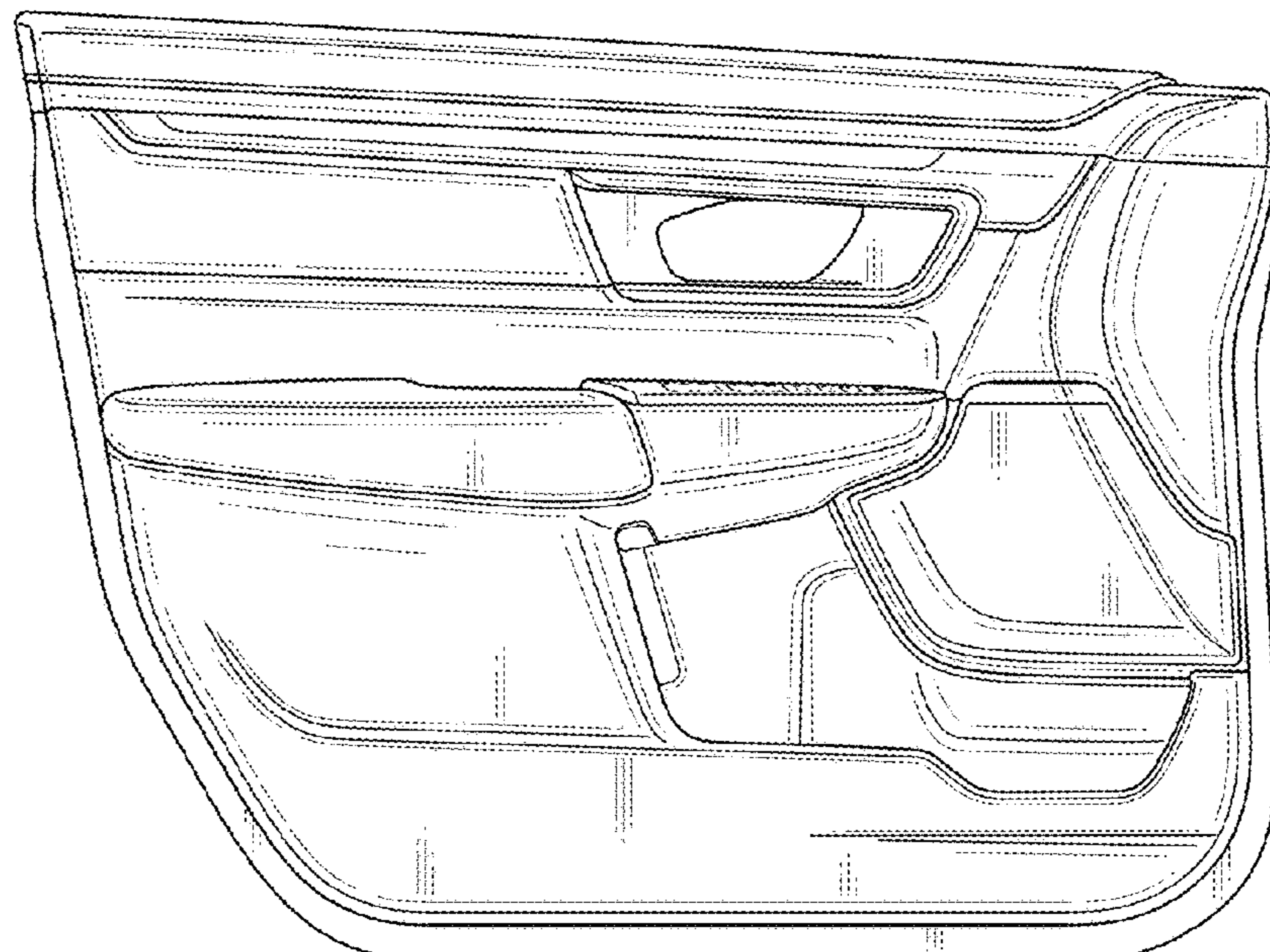


FIG. 1

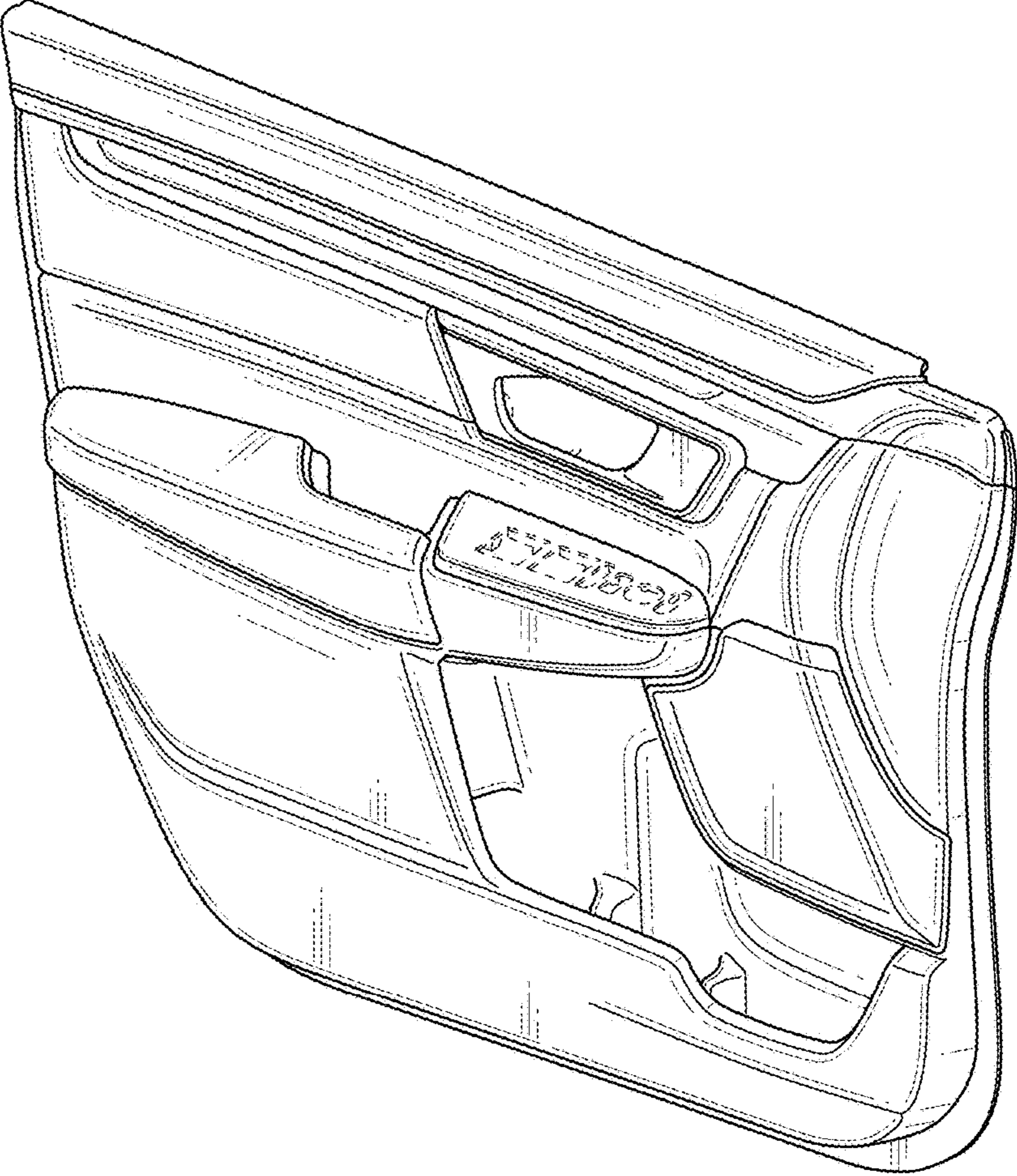


FIG. 2

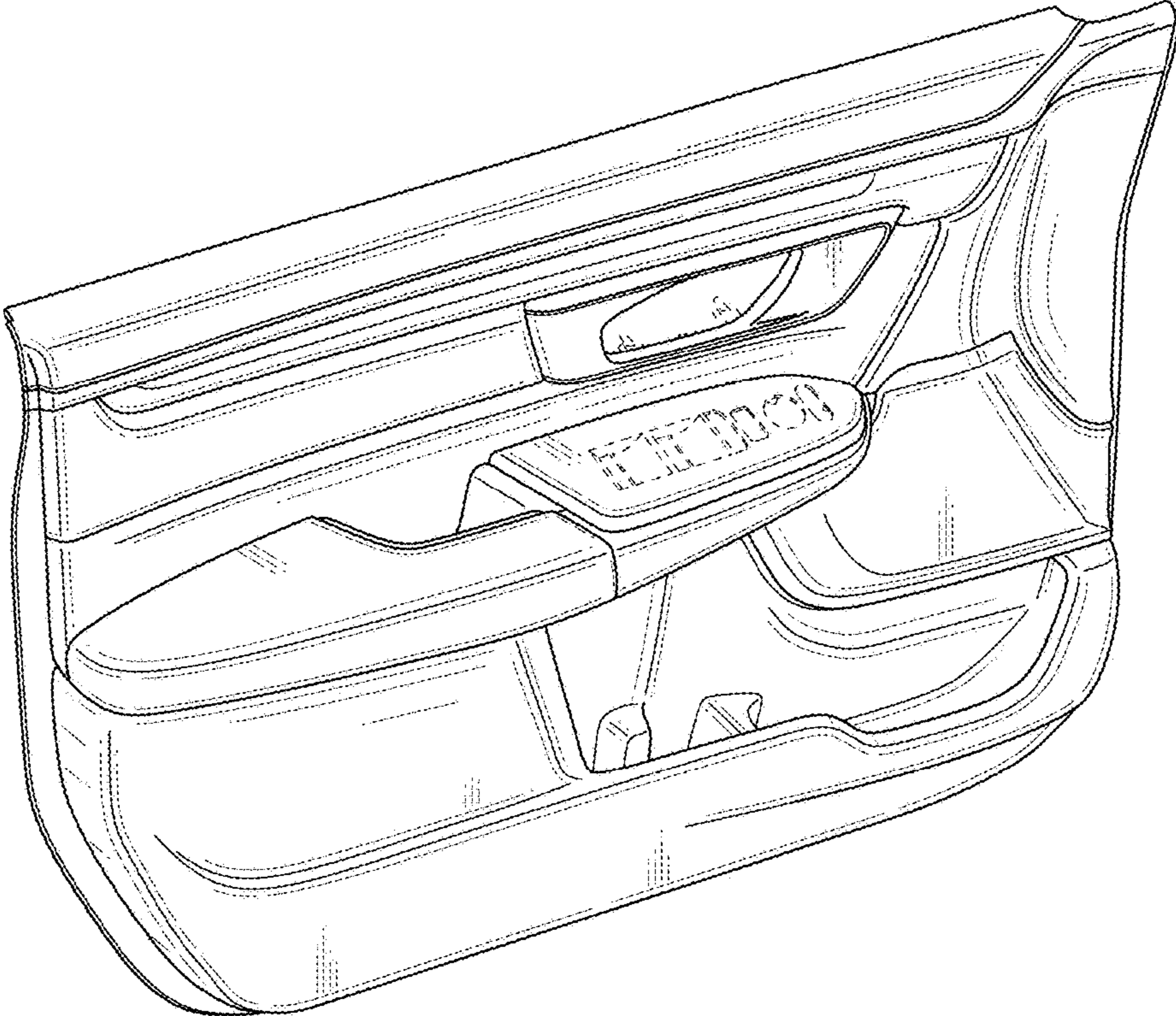


FIG. 3

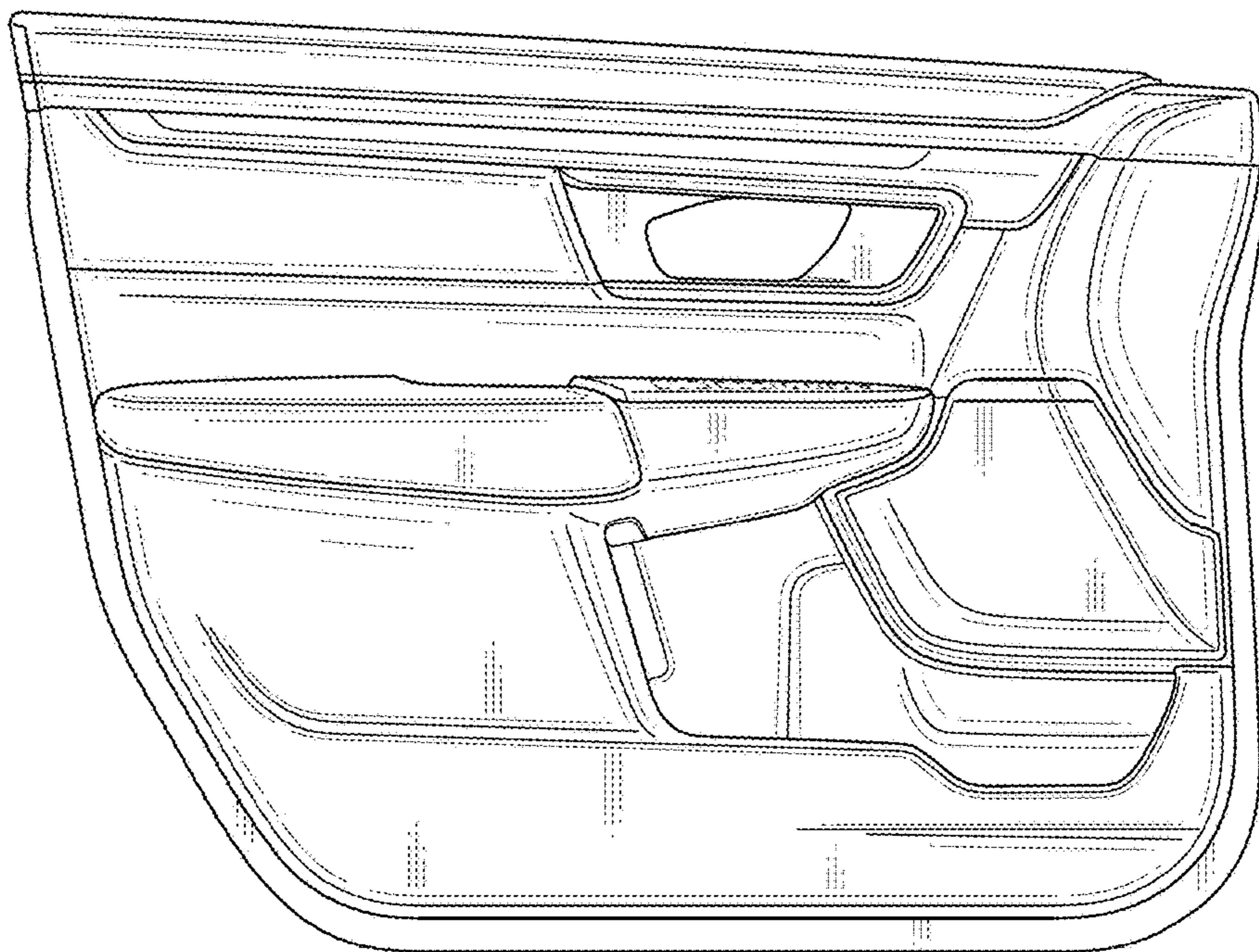


FIG. 4

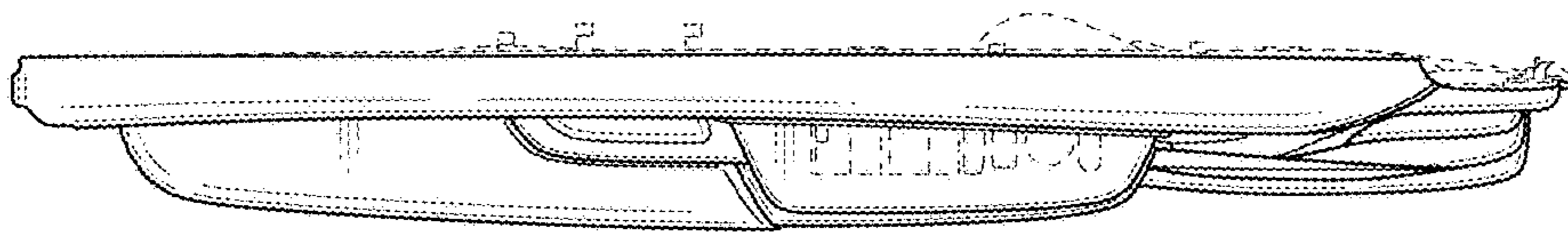


FIG. 5

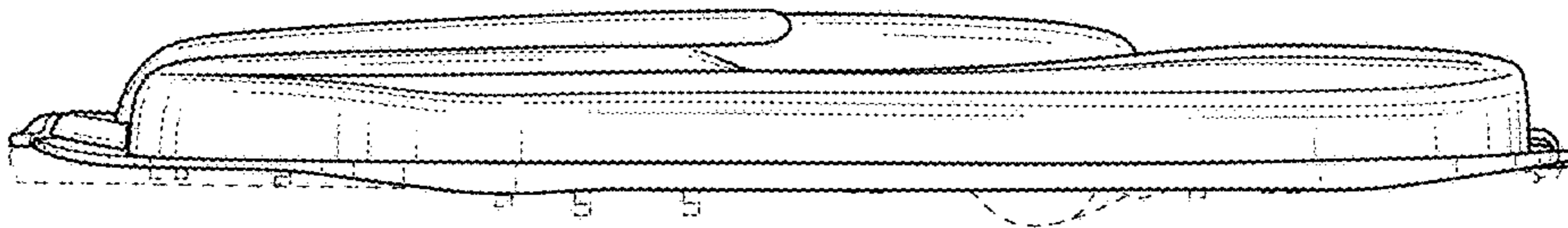


FIG. 6

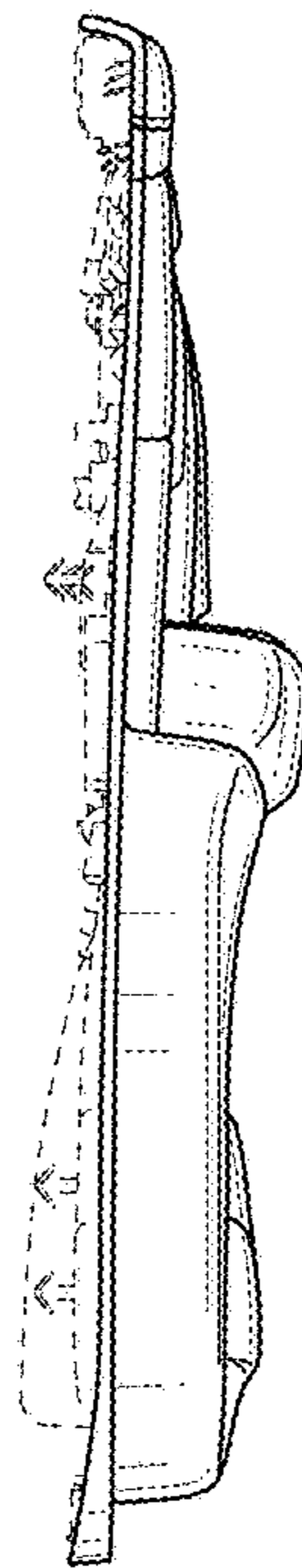


FIG. 7

