



US00D807264S

(12) **United States Design Patent**
Henstridge

(10) **Patent No.: US D807,264 S**
(45) **Date of Patent: ** Jan. 9, 2018**

(54) **FENDER VENT**

(71) Applicant: **Jaguar Land Rover Limited**, Whitley,
Coventry (GB)

(72) Inventor: **Sean Henstridge**, Coventry (GB)

(73) Assignee: **Jaguar Land Rover Limited**, Whitley,
Coventry (GB)

(**) Term: **15 Years**

(21) Appl. No.: **29/556,414**

(22) Filed: **Mar. 1, 2016**

(30) **Foreign Application Priority Data**

Sep. 4, 2015 (EM) 002766758

(51) **LOC (11) Cl.** **12-08**

(52) **U.S. Cl.**
USPC **D12/190**

(58) **Field of Classification Search**
USPC D12/190, 191, 181, 400, 163, 164, 168,
D12/170, 171, 187; 280/847
CPC B60R 2011/0008; B60R 2019/525; B60R
2019/52; B60R 2019/00; B60R 21/239;
B60R 2019/1886

See application file for complete search history.

(56) **References Cited**

U.S. PATENT DOCUMENTS

D425,834 S * 5/2000 Sousamian D12/163
D427,119 S * 6/2000 Sousamian D12/163
D432,061 S * 10/2000 Sousamian D12/163
6,297,446 B1 * 10/2001 Cherniski H05K 9/0041
174/383
D467,202 S * 12/2002 Mondragon Sarmiento .. D12/96

(Continued)

FOREIGN PATENT DOCUMENTS

DE CA 2545309 A1 * 11/2006 B60R 19/04
DE 102009036447 A1 * 4/2010 B62D 35/00
(Continued)

OTHER PUBLICATIONS

NPL #1: Autobiography Side Vent, Powerful UK Ltd., posted at
youtube.com, published Apr. 26, 2013, © Standard YouTube
License, [online], [site visited Dec. 7, 2016]. Available from Inter-
net, <URL: https://www.youtube.com/watch?v=kpJt_lgK9n4>.*
(Continued)

Primary Examiner — Lakiya Rogers

Assistant Examiner — Altaira Swangin

(74) *Attorney, Agent, or Firm* — Wood Herron & Evans
LLP

(57) **CLAIM**

The ornamental design for a fender vent, as shown and
described.

DESCRIPTION

FIG. 1 is a front right perspective view of a fender vent
according to the present invention.

FIG. 2 is a rear left perspective view of the fender vent
shown in FIG. 1.

FIG. 3 is a front view thereof.

FIG. 4 is a rear view thereof.

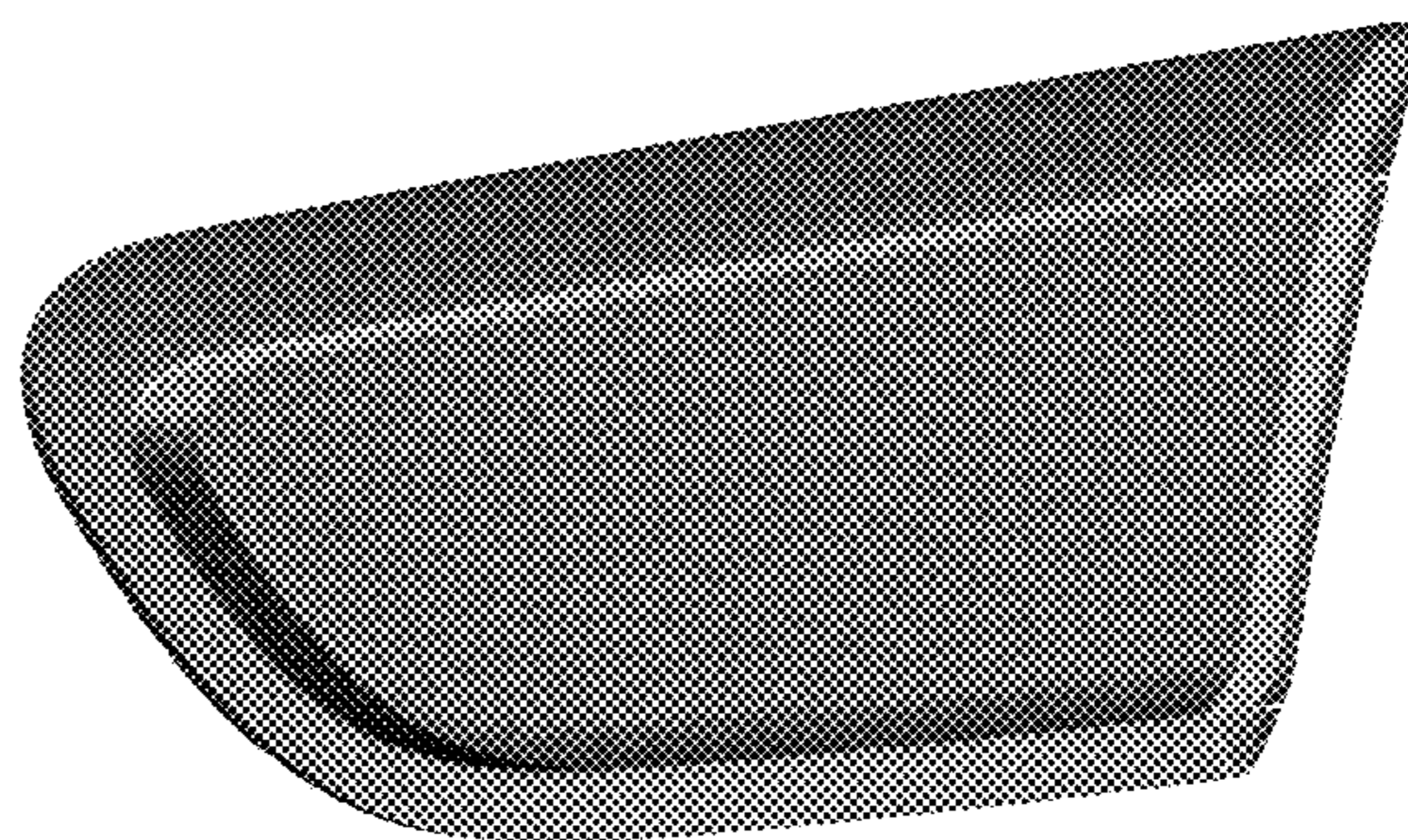
FIG. 5 is a left side view thereof.

FIG. 6 is a right side view thereof.

FIG. 7 is a top view thereof; and,

FIG. 8 shows the fender vent of the present invention
mounted on the side of a vehicle, with the rest of the vehicle
shown in de-emphasized and half-tone portions so as to
illustrate environmental structure. These portions form no
part of the claimed invention. The broken lines shown
indicate a boundary line between the claim and unclaimed
environment and form no part of the claimed design.

1 Claim, 6 Drawing Sheets



(56)

References Cited

U.S. PATENT DOCUMENTS

D496,890 S * 10/2004 Metros D12/163
 D497,860 S * 11/2004 Hoelzel D12/196
 D502,898 S * 3/2005 Delashaw D12/163
 D504,849 S * 5/2005 Pfeiffer D12/163
 D510,303 S * 10/2005 Spagnola D12/163
 D526,942 S * 8/2006 Delashaw D12/163
 D539,194 S * 3/2007 Moses D12/163
 D540,228 S * 4/2007 Lai D12/190
 D545,258 S * 6/2007 Teng D12/190
 D548,158 S * 8/2007 Kulla D12/196
 D565,477 S * 4/2008 Ishibashi D12/163
 D566,022 S * 4/2008 Johnson D12/190
 D569,772 S * 5/2008 Saridakis D12/163
 D575,686 S * 8/2008 Fukui D12/163
 D580,312 S * 11/2008 Opfer D12/163
 D589,853 S * 4/2009 Saridakis D12/163
 D607,785 S * 1/2010 Walter D12/163
 D609,141 S * 2/2010 Krugger D12/163
 D609,149 S * 2/2010 Larson D12/181
 D619,507 S * 7/2010 Ishibashi D12/163
 D629,729 S * 12/2010 Akasawa D12/169
 D631,807 S * 2/2011 Clottu D12/190
 D636,712 S * 4/2011 Shymkiw D12/190
 D659,059 S * 5/2012 Elmitt D12/190
 D668,590 S * 10/2012 Furst D12/163
 D670,619 S * 11/2012 Frei D12/163
 D670,620 S * 11/2012 Frei D12/163
 D702,155 S * 4/2014 Hanaoka D12/163
 D705,706 S * 5/2014 Kawasaki D12/169
 D710,264 S * 8/2014 Watkins D12/169
 D711,293 S * 8/2014 Waterman D12/163
 D713,765 S * 9/2014 Peltola D12/163
 D713,770 S * 9/2014 Molinari D12/190
 D717,222 S * 11/2014 Waterman D12/190
 D718,681 S * 12/2014 Allen D12/169
 D722,923 S * 2/2015 George D12/163
 D722,924 S * 2/2015 George D12/163
 D726,083 S * 4/2015 Wheel D12/196
 D729,134 S * 5/2015 Hanson D12/163

D730,788 S * 6/2015 Howell D12/169
 D736,123 S * 8/2015 Hammoud D12/163
 D736,683 S * 8/2015 Glover D12/169
 D743,850 S * 11/2015 Howell D12/163
 D746,185 S * 12/2015 Curic D12/163
 D746,186 S * 12/2015 Curic D12/163
 D748,547 S * 2/2016 Battams D12/190
 D748,548 S * 2/2016 Battams D12/190
 D749,474 S * 2/2016 Battams D12/169
 D749,478 S * 2/2016 Battams D12/184
 D751,013 S * 3/2016 Curic D12/163
 D751,470 S * 3/2016 Buck D12/163
 D753,029 S * 4/2016 Talsma D12/163
 D753,030 S * 4/2016 Frascella D12/163
 D753,557 S * 4/2016 Frascella D12/169
 D754,037 S * 4/2016 Behmer D12/163
 D758,928 S * 6/2016 Messale D12/163
 D763,152 S * 8/2016 Frascella D12/190
 D766,783 S * 9/2016 Rodriguez D12/163
 D771,547 S * 11/2016 Sandys D12/422
 D773,963 S * 12/2016 Battams D12/163
 D774,996 S * 12/2016 Wheel D12/163
 D784,887 S * 4/2017 Woolley D12/196
 D788,659 S * 6/2017 Jelec D12/163

FOREIGN PATENT DOCUMENTS

DE 102010027460 B4 * 4/2017 B60R 19/18
 JP EP 1433664 A2 * 6/2004 B60R 19/12
 JP WO 2015050014 A1 * 4/2015 B60R 19/50
 JP WO 2015050025 A1 * 4/2015 B60R 19/48
 JP 6119112 B2 * 4/2017 B29C 45/34

OTHER PUBLICATIONS

NPL #1: Side Vent, Range Rover Sport, posted at youtube.com by Powerful UK Ltd. on Apr. 26, 2013, © Standard YouTube License, online, site visited Jul. 11, 2017. Available from Internet, <URL: https://www.youtube.com/watch?v=kpJt_lgK9n4>.*

* cited by examiner

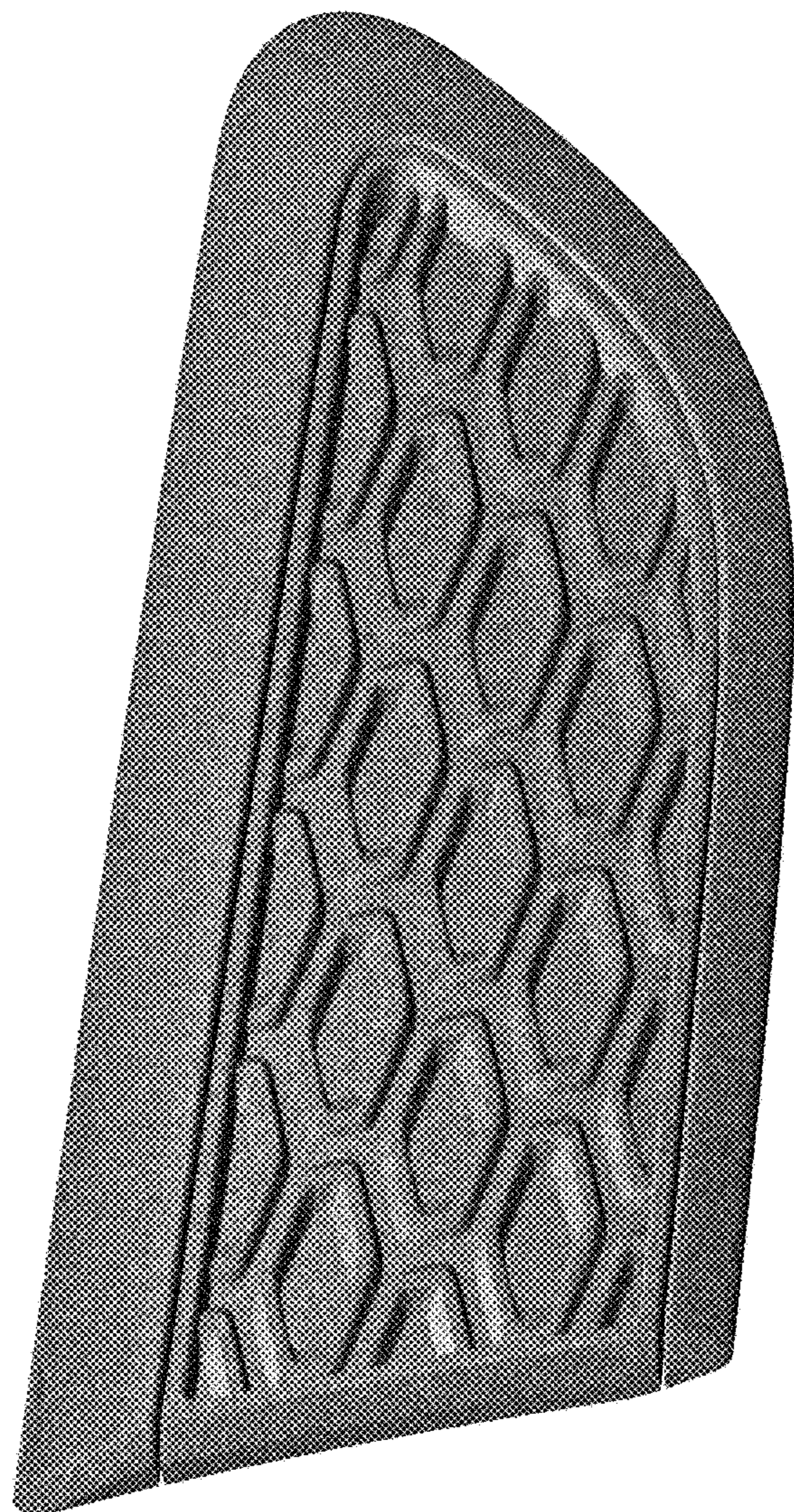


FIG. 1

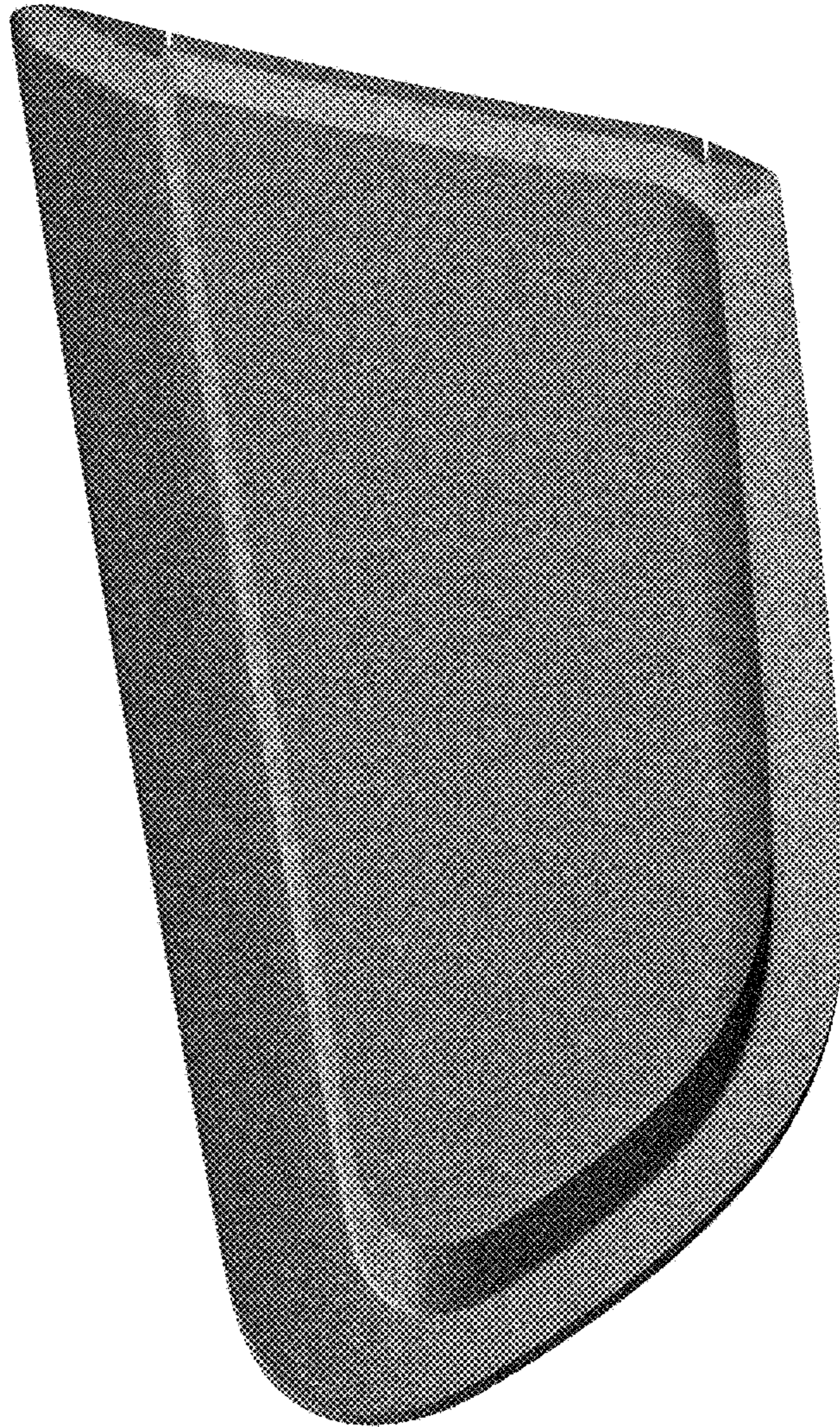


FIG. 2

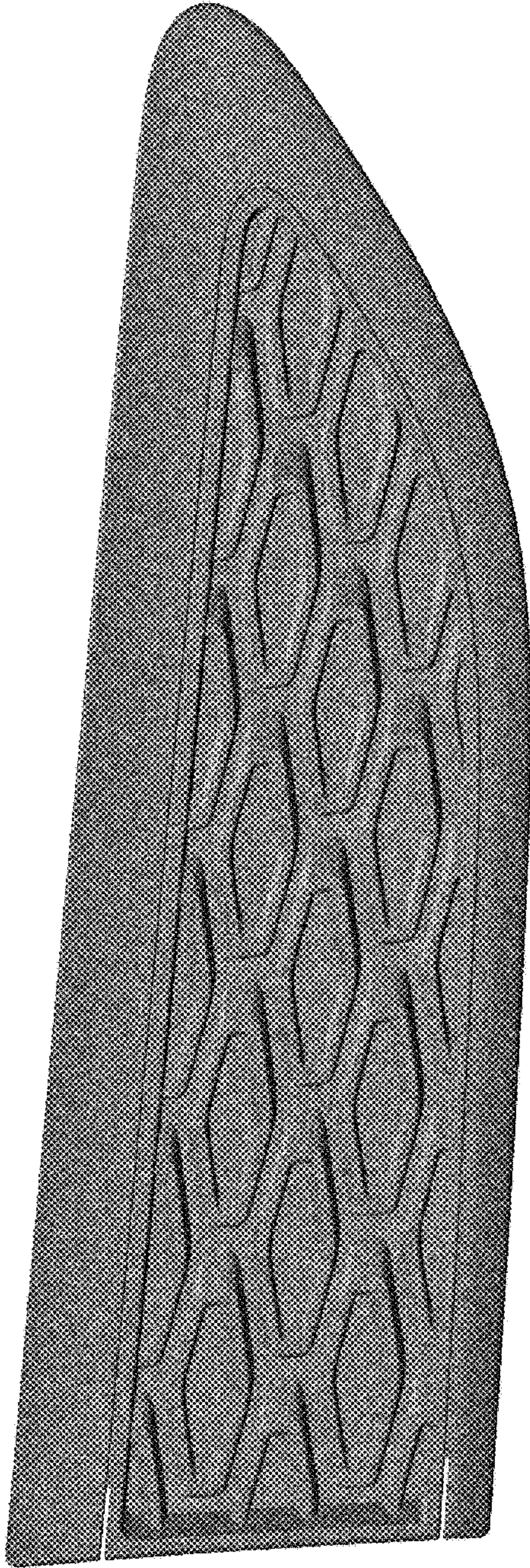


FIG. 3

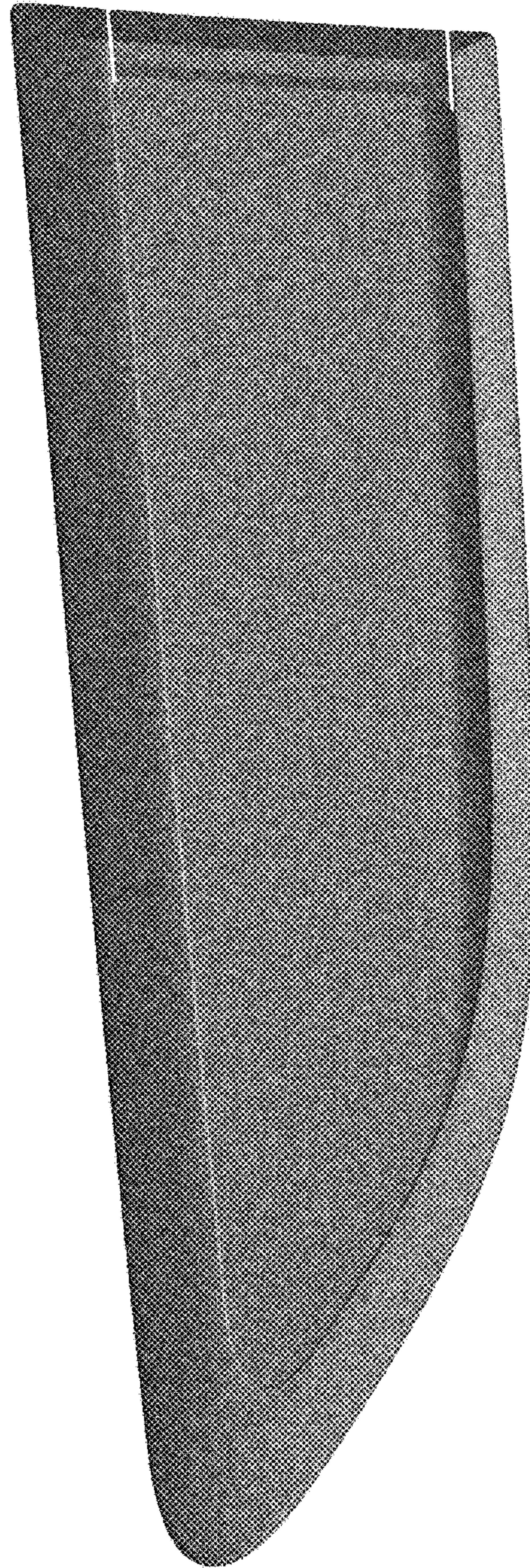


FIG. 4

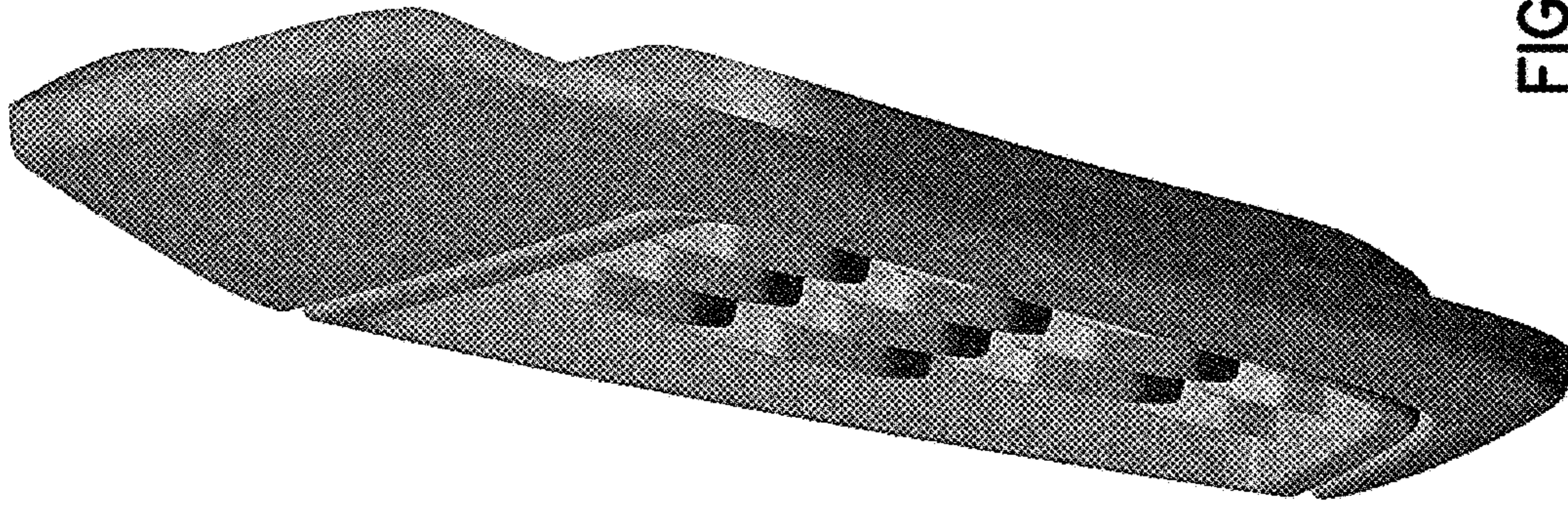


FIG. 6

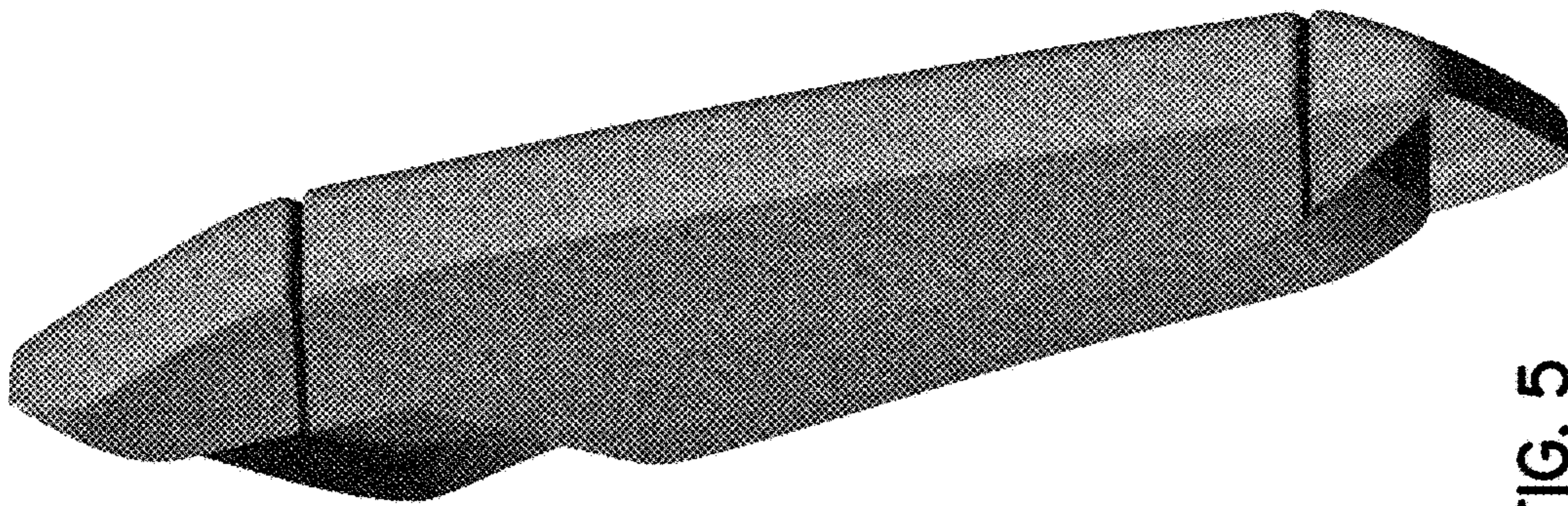


FIG. 5

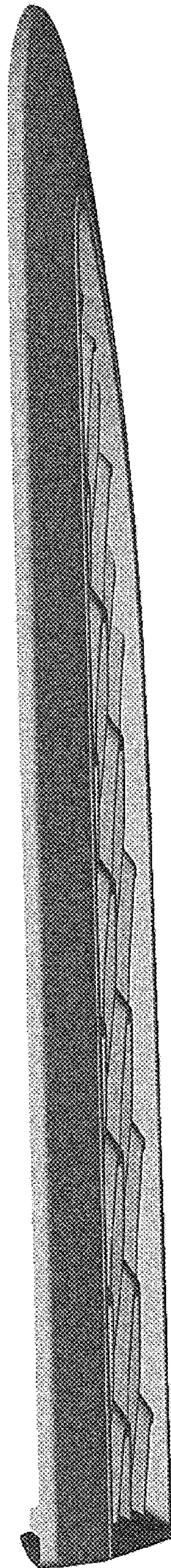


FIG. 7

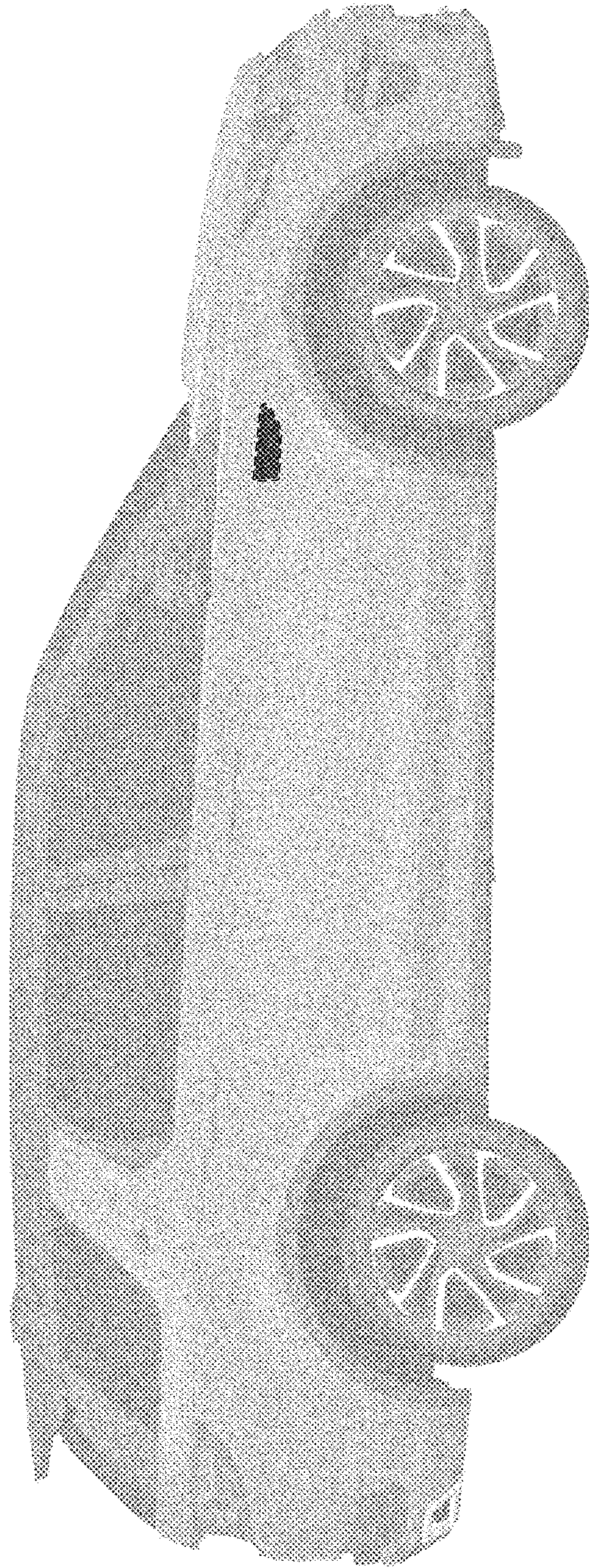


FIG. 8