

US00D807263S

(12) **United States Design Patent** (10) **Patent No.:** **US D807,263 S**
Piscitelli et al. (45) **Date of Patent:** **** Jan. 9, 2018**

(54) **VEHICLE SIDE MIRROR**

(56) **References Cited**

(71) Applicants: **Chris Piscitelli**, West Bloomfield, MI (US); **Vincent J Galante**, Lake Orion, MI (US); **Brian H Nielander**, Royal Oak, MI (US)

U.S. PATENT DOCUMENTS

D549,142 S *	8/2007	Sinkwitz	D12/187
D549,625 S *	8/2007	Pfeiffer	D12/187
D551,143 S *	9/2007	Leclercq	D12/187
D586,276 S *	2/2009	Pfeiffer	D12/187
D601,935 S *	10/2009	Bauer	D12/187
D605,995 S *	12/2009	Woolley	D12/187
D661,634 S *	6/2012	Huet	D12/187
D681,524 S *	5/2013	Fisker	D12/187
D793,311 S *	8/2017	Whitla	D12/187

(72) Inventors: **Chris Piscitelli**, West Bloomfield, MI (US); **Vincent J Galante**, Lake Orion, MI (US); **Brian H Nielander**, Royal Oak, MI (US)

* cited by examiner

(73) Assignee: **FCA US LLC**, Auburn Hills, MI (US)

Primary Examiner — Melody N. Brown

(**) Term: **15 Years**

(74) *Attorney, Agent, or Firm* — Ralph E. Smith

(21) Appl. No.: **29/594,749**

(57) **CLAIM**

(22) Filed: **Feb. 22, 2017**

The ornamental design for a vehicle side mirror, as shown and described.

Related U.S. Application Data

DESCRIPTION

(63) Continuation-in-part of application No. 29/568,731, filed on Jun. 21, 2016.

(51) **LOC (11) Cl.** **12-16**

FIG. 1 is a front perspective view of a vehicle side mirror showing our new design;

(52) **U.S. Cl.**

FIG. 2 is a front view thereof;

USPC **D12/187**

FIG. 3 is a rear view thereof;

(58) **Field of Classification Search**

USPC D12/187, 188–189, 86, 90–92;
359/838–851, 855–868, 871–888;
248/475.1, 476, 480, 481, 485–487;
296/101.1

FIG. 4 is a side view thereof;

CPC B60R 1/074; B60R 1/076; B60R 1/078;

FIG. 5 is a top view thereof; and,

B60R 1/08; G02B 7/182; G02B 5/08;

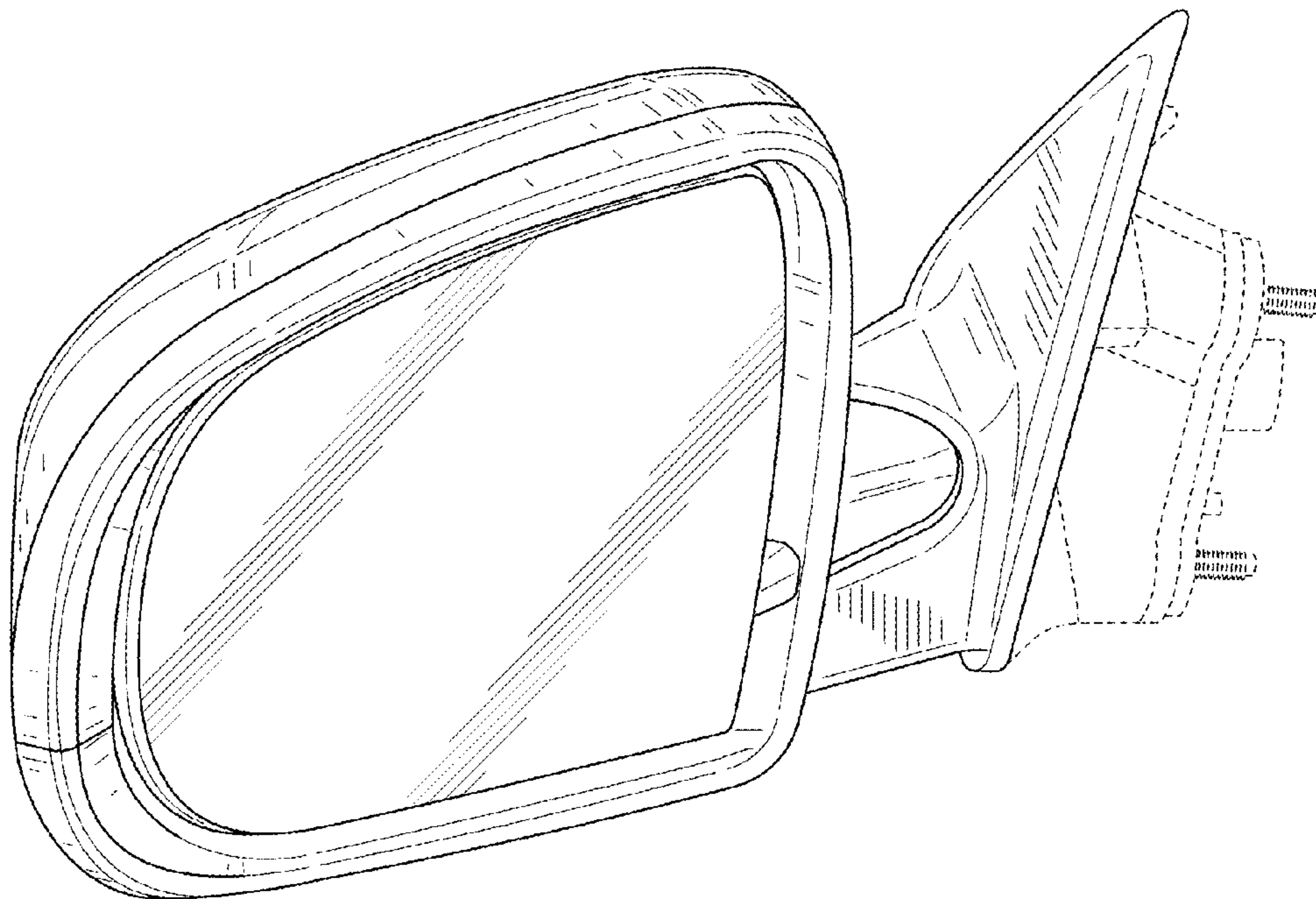
FIG. 6 is a bottom view.

G02B 7/18

It will be understood that the broken lines shown in the drawings illustrate portions of the vehicle side mirror that form no part of claimed design.

See application file for complete search history.

1 Claim, 6 Drawing Sheets



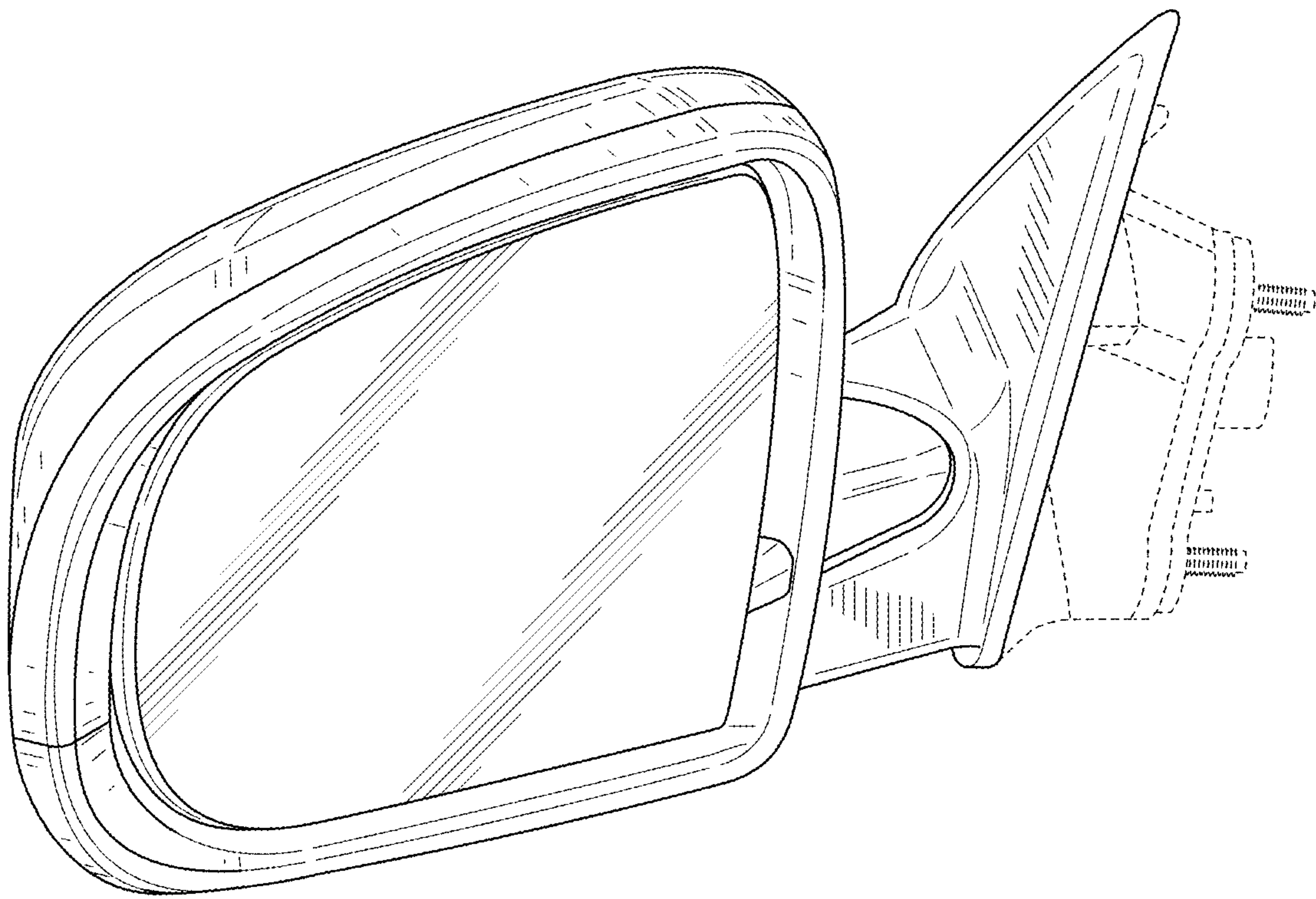


FIG. 1

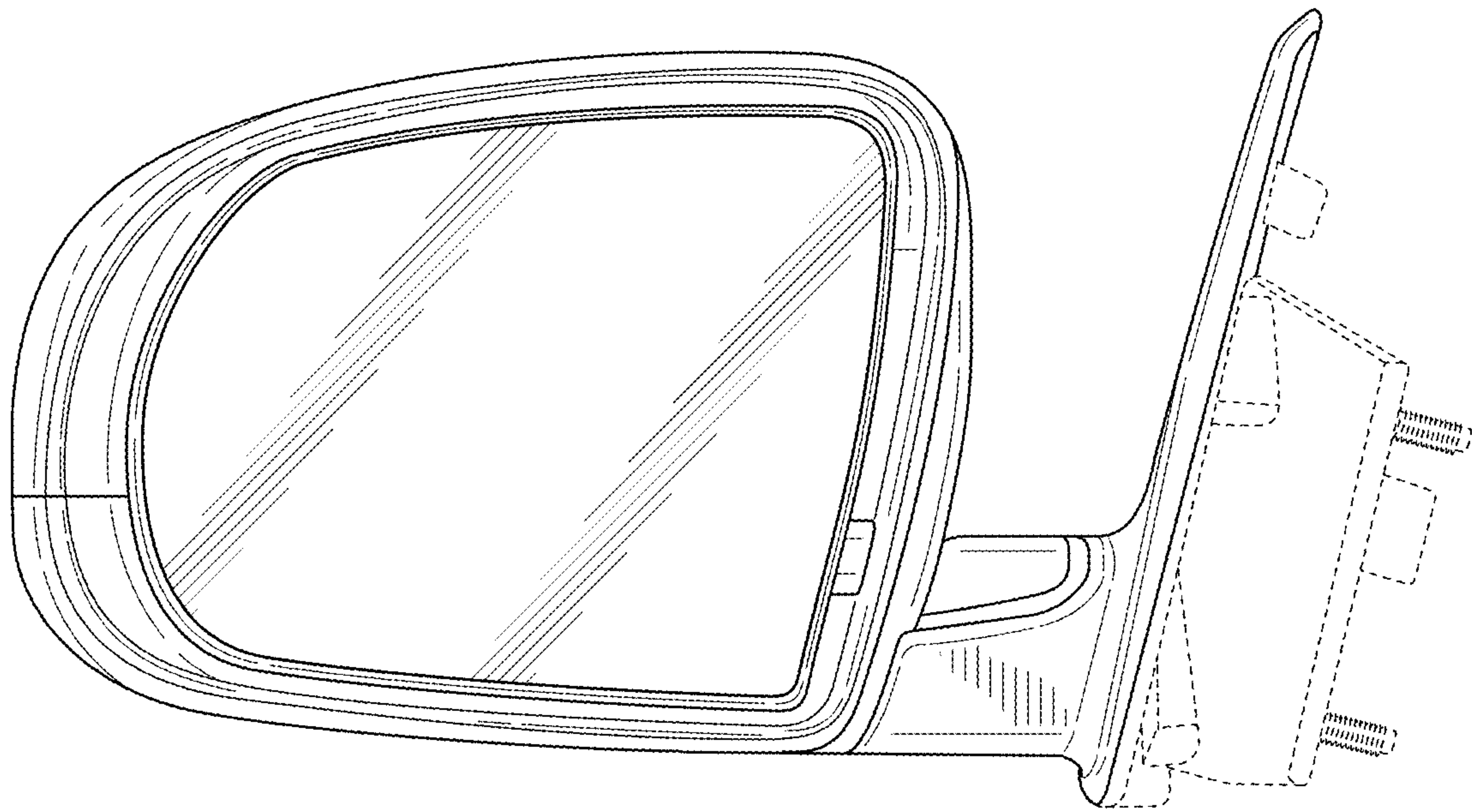


FIG. 2

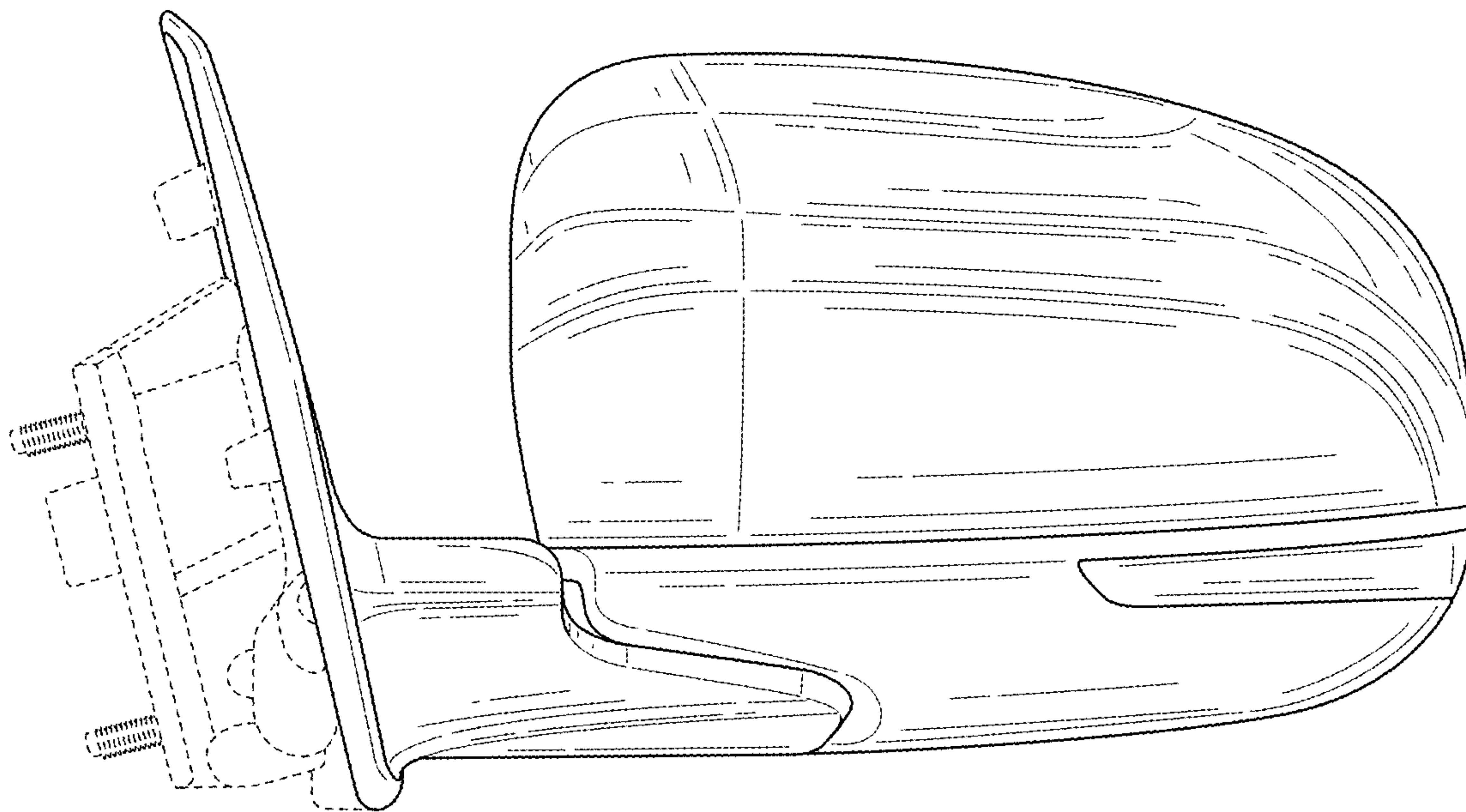


FIG. 3

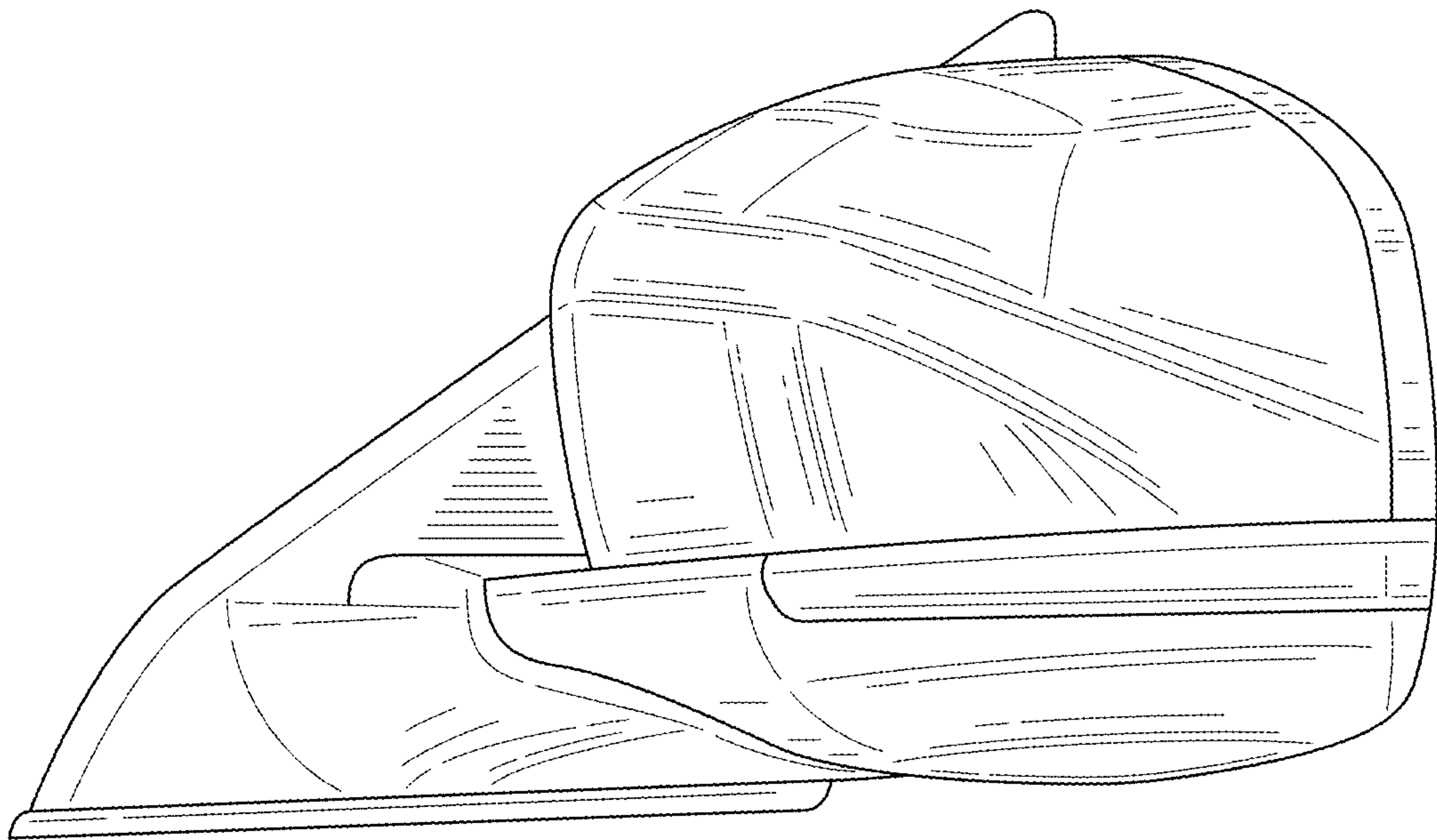


FIG. 4

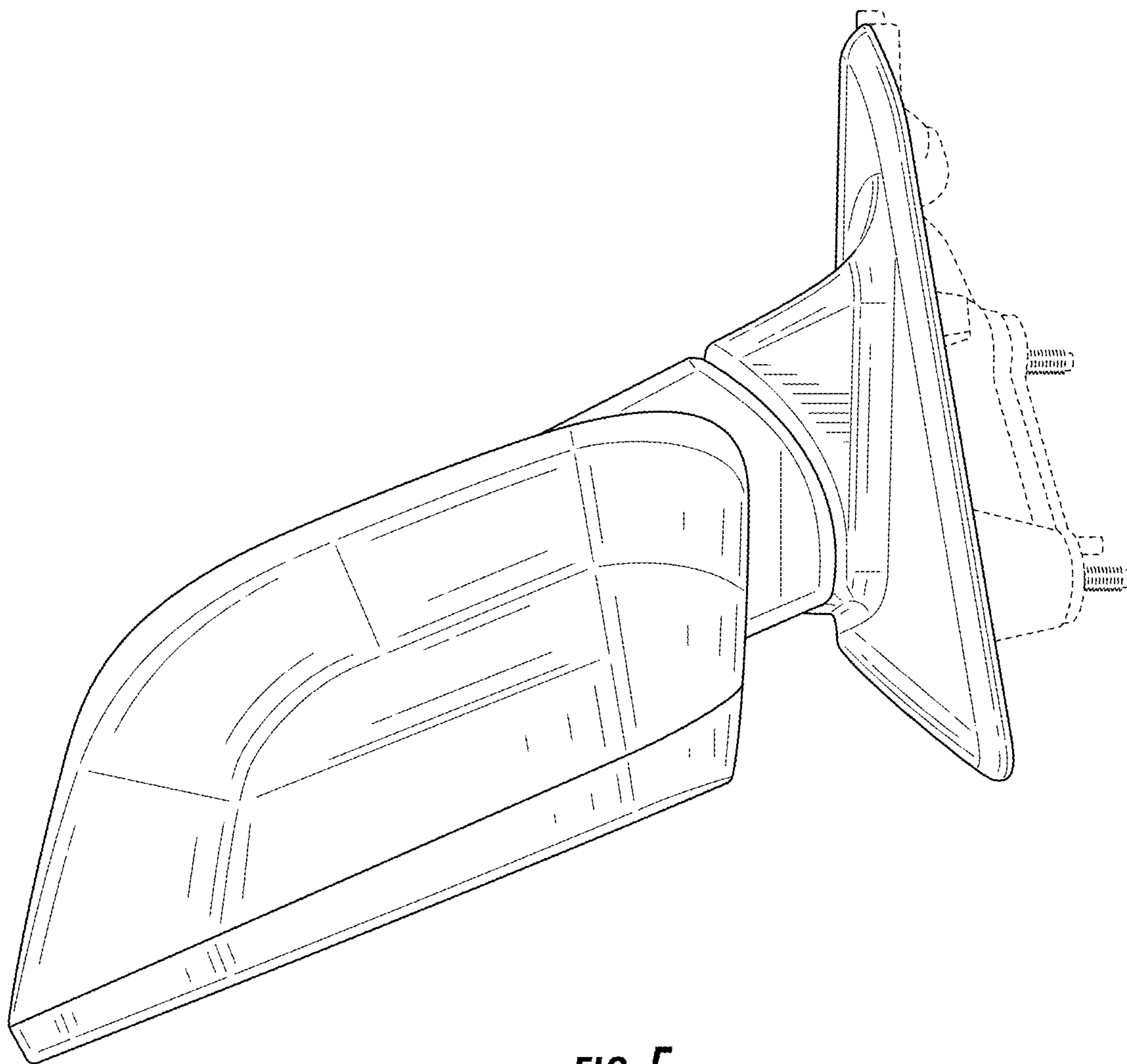


FIG. 5

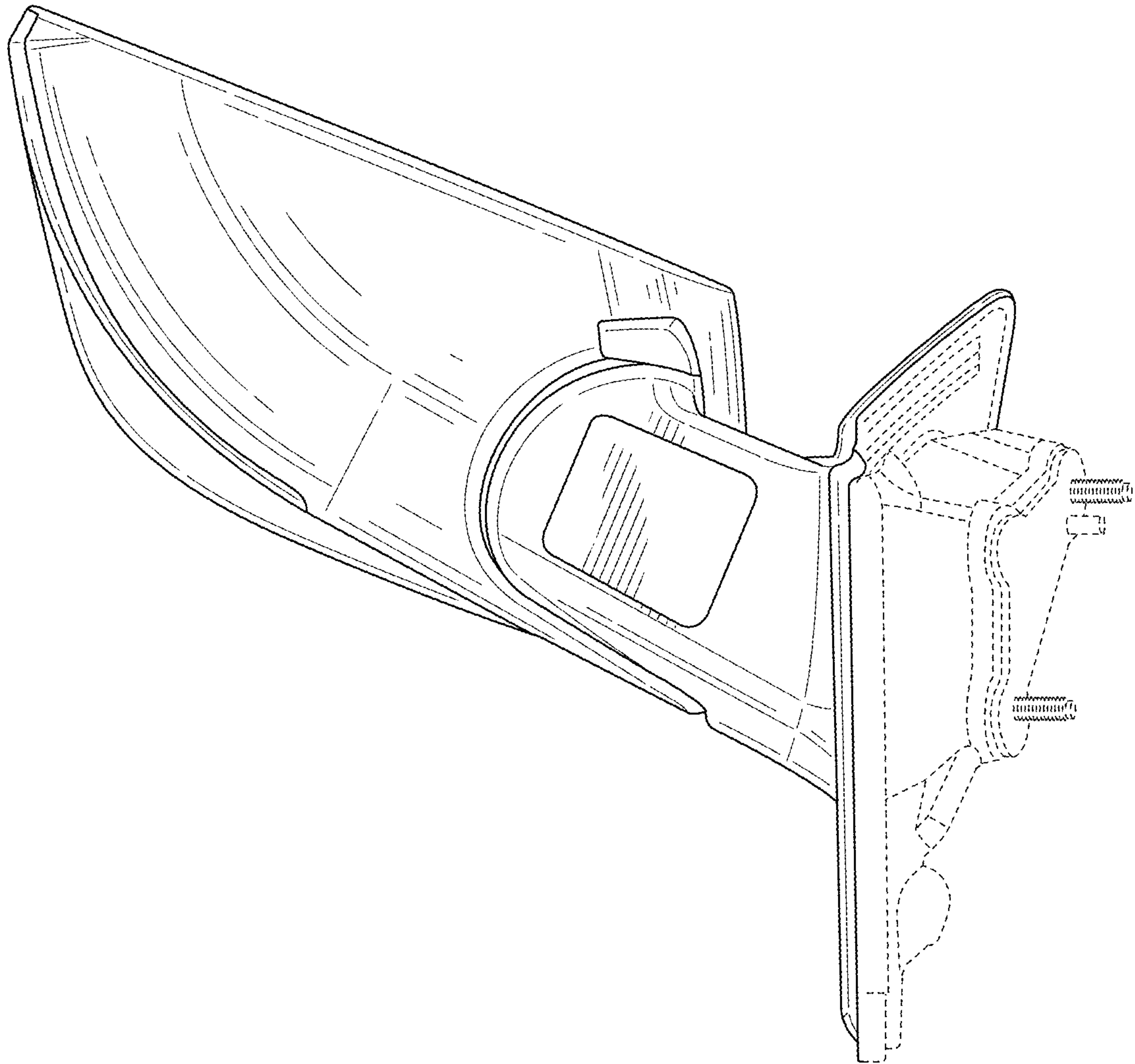


FIG. 6