



US00D807260S

(12) **United States Design Patent**
Young

(10) **Patent No.:** **US D807,260 S**

(45) **Date of Patent:** **** Jan. 9, 2018**

- (54) **BRAKE CONVERSION HUB**
- (71) Applicant: **Christopher Mark Young**, Pisgah Forest, NC (US)
- (72) Inventor: **Christopher Mark Young**, Pisgah Forest, NC (US)
- (**) Term: **15 Years**
- (21) Appl. No.: **29/560,789**
- (22) Filed: **Apr. 11, 2016**
- (51) **LOC (11) Cl.** **12-16**
- (52) **U.S. Cl.**
USPC **D12/180**
- (58) **Field of Classification Search**
USPC D12/14, 106, 114, 118, 122, 161, 162, D12/179, 180, 207, 217, 400
CPC B60T 7/00; B60T 8/265; B60T 83/255; B60T 11/00; B60T 11/103; B60T 13/00; B60T 13/66; B60T 17/223; B60T 2201/00; B60T 2201/03; B60T 2260/00; B60T 2270/00; B60T 2270/82; B60T 2270/83; B60T 2270/84; B60T 1/06; B62L 1/02; B62L 3/02; B62K 23/06; B62D 13/025; B62D 21/18; B62D 53/045; B62D 63/04; B62D 65/02; B62D 65/18; F16D 55/00; F16D 55/226; F16D 65/00; F16D 65/092; F16D 65/095; F16D 65/097; F16D 65/18; F16D 65/38; F16D 65/847; B32B 3/06
See application file for complete search history.

- (56) **References Cited**
U.S. PATENT DOCUMENTS
1,980,099 A * 11/1934 Schacht E03C 1/306 4/255.04
3,292,746 A * 12/1966 Robinette F16D 65/12 188/218 A
3,379,289 A * 4/1968 Hollnagel F16D 65/18 188/196 P

- 3,786,407 A * 1/1974 Ogawa H04R 17/10 367/159
- D267,639 S * 1/1983 Moore D12/207
- D277,746 S * 2/1985 Hunsaker D12/184
- D346,576 S * 5/1994 Steer D12/180
- D347,415 S * 5/1994 Rossigno D12/180
- D396,396 S * 7/1998 Larson D8/303
- D400,128 S * 10/1998 Golden D12/126
- D408,828 S * 4/1999 Golden D12/126
- D417,178 S * 11/1999 Gallagher D12/180
- D445,077 S * 7/2001 Lovitt, Jr. D12/207

(Continued)

OTHER PUBLICATIONS

Yhc63629, image post date May 30, 2012, site visited Dec. 28, 2016, (online), <<https://www.tineye.com/search/015b3d5ab547a1804a8db4317d68f9553f232fd0/>>.*

(Continued)

Primary Examiner — Kevin Rudzinski
Assistant Examiner — Sean D Lough
(74) *Attorney, Agent, or Firm* — Joseph T. Guy; Perkins Law Firm, LLC

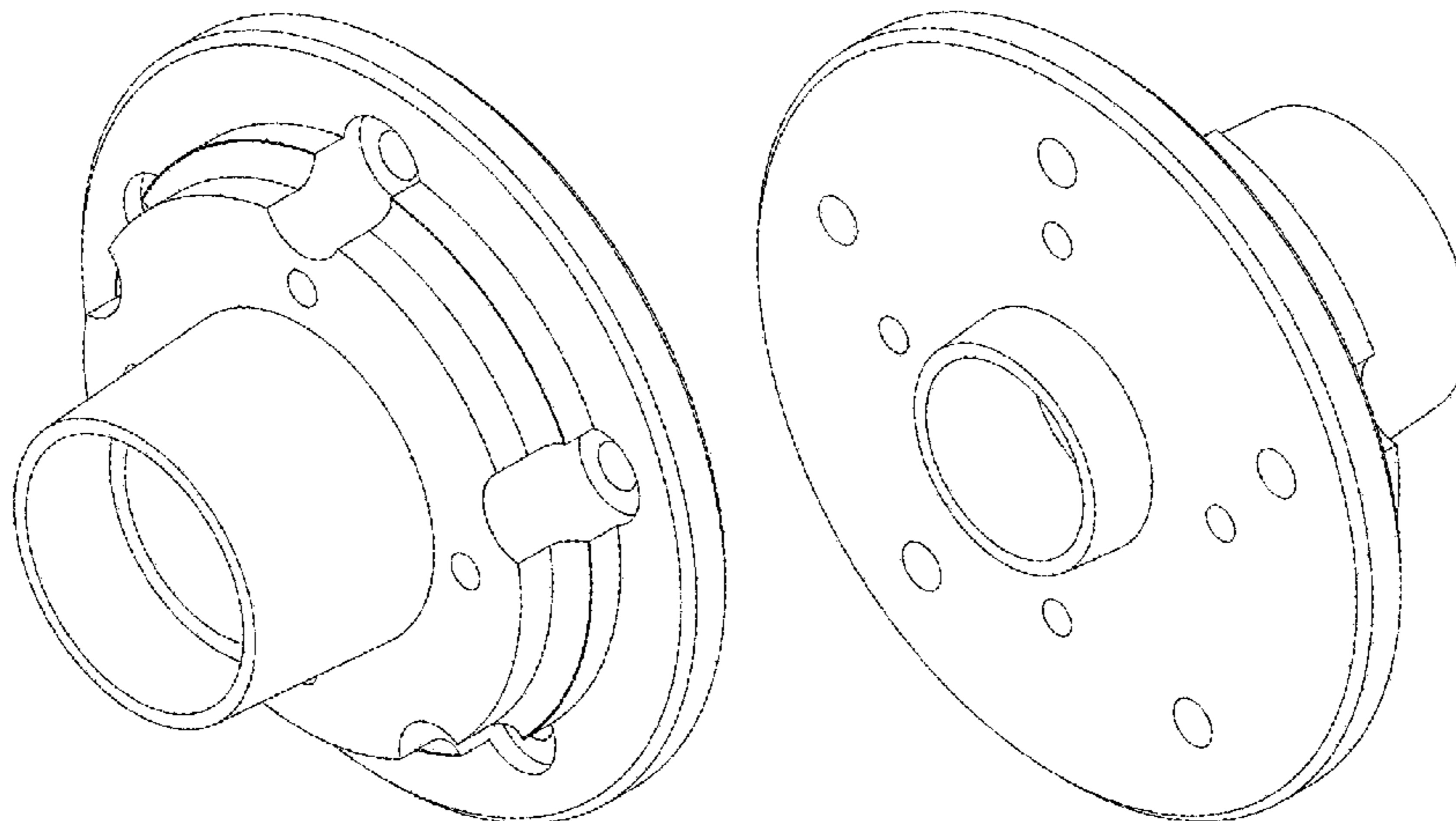
(57) **CLAIM**

The ornamental design for a brake conversion hub, as shown and described.

DESCRIPTION

FIG. 1 is a top perspective view of the present invention; FIG. 2 is a bottom perspective view of FIG. 1; FIG. 3 is a top view of FIG. 1; FIG. 4 is a bottom view of FIG. 1; FIG. 5 is a front side view of FIG. 1; FIG. 6 is a back side view of FIG. 1; FIG. 7 is a right side view of FIG. 1; and, FIG. 8 is a left side view of FIG. 1. The broken lines, where present, in FIGS. 1-4 illustrate portions of the brake conversion hub that form no part of the claimed invention.

1 Claim, 8 Drawing Sheets



(56)

References Cited

U.S. PATENT DOCUMENTS

6,446,778 B1 * 9/2002 Cole F16D 23/14
 192/110 B
 D471,140 S * 3/2003 Oberti D12/180
 D498,447 S * 11/2004 Kato D12/207
 D500,719 S * 1/2005 Baker D12/207
 7,017,718 B2 * 3/2006 Gotti F16D 65/123
 188/218 XL
 D519,992 S * 5/2006 McAnally D14/238
 D531,082 S * 10/2006 Belokin D11/143
 7,171,726 B2 * 2/2007 Kleissen B60R 1/074
 16/235
 D558,107 S * 12/2007 Horner D12/180
 7,303,053 B2 * 12/2007 McCurdy, Jr. F16D 25/088
 188/153 D
 D576,932 S * 9/2008 Strehler D12/180
 D606,916 S * 12/2009 Settineri D12/180
 7,871,134 B2 * 1/2011 Hofmann B60B 27/00
 301/105.1
 7,909,147 B1 * 3/2011 Schnell F16D 65/853
 188/264 CC
 D656,960 S * 4/2012 Kandell D15/5
 D663,243 S * 7/2012 Li D12/118
 D677,198 S * 3/2013 Verbowski D12/159
 D678,040 S * 3/2013 Shikama D8/360
 9,157,464 B2 * 10/2015 Ellis B21J 15/025
 D742,214 S * 11/2015 Yuan D8/399
 9,187,071 B2 * 11/2015 Vinck F16D 55/226
 D746,392 S * 12/2015 Maigret D21/779
 9,322,444 B2 * 4/2016 Du F16D 65/128
 D756,277 S * 5/2016 Pasfield D12/180
 9,429,227 B2 * 8/2016 Noerenberg F16H 57/10

D770,550 S * 11/2016 Creager D15/148
 2002/0020984 A1 * 2/2002 Dunkley B60T 1/10
 280/215
 2004/0035314 A1 * 2/2004 Muchalov B60S 13/02
 104/44
 2009/0095581 A1 * 4/2009 Dennis F16D 65/18
 188/73.43
 2010/0003840 A1 * 1/2010 Breay B64D 37/32
 439/88
 2010/0261571 A1 * 10/2010 Matsuoka F16H 1/2827
 475/331
 2011/0127135 A1 * 6/2011 Grogg B60K 17/35
 192/48.1
 2013/0062928 A1 * 3/2013 Crawford B60T 1/065
 301/105.1
 2013/0112514 A1 * 5/2013 Hanna F16D 65/12
 188/218 XL
 2015/0021128 A1 * 1/2015 White F16D 65/128
 188/218 XL
 2015/0267765 A1 * 9/2015 Kim F16D 65/125
 192/107 M
 2015/0267768 A1 * 9/2015 Butz F16D 65/127
 188/1.11 W

OTHER PUBLICATIONS

Third Generation GM F-Body Brake, image post date Oct. 2011, site visited Jan. 8, 2017, (online), <<http://lukeskaff.com/projects/car/third-gen-f-body-brake-upgrade/hub-fabrication/>>.*
 Front Disc Brake Caliper Bracket Kit Single Rear Wheel, image post date 2003, site visited Jan. 8, 2017, (online), <<http://www.thehollisterroadcompany.com/discbrakeconversion.html>>.*

* cited by examiner

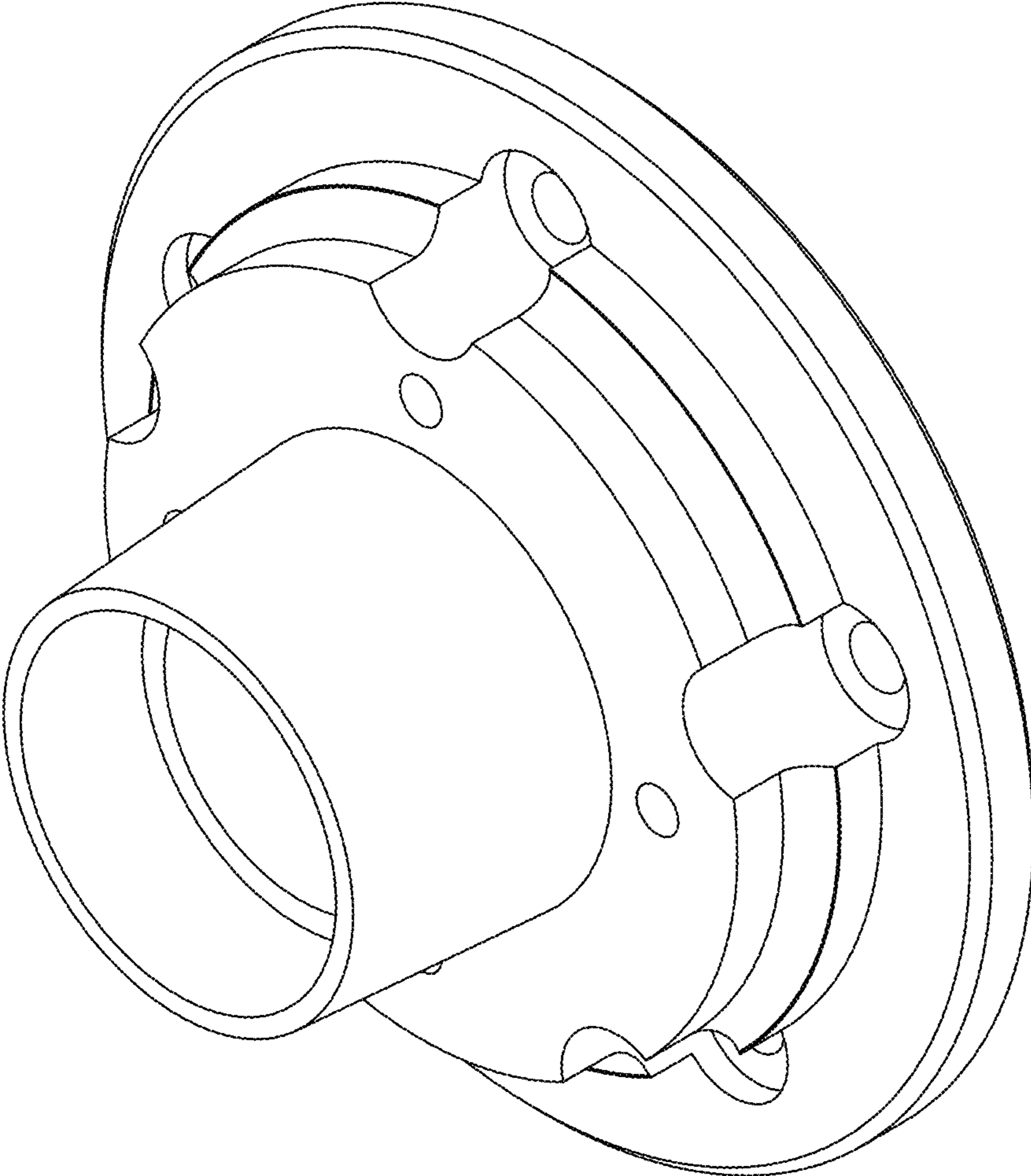


Figure 1

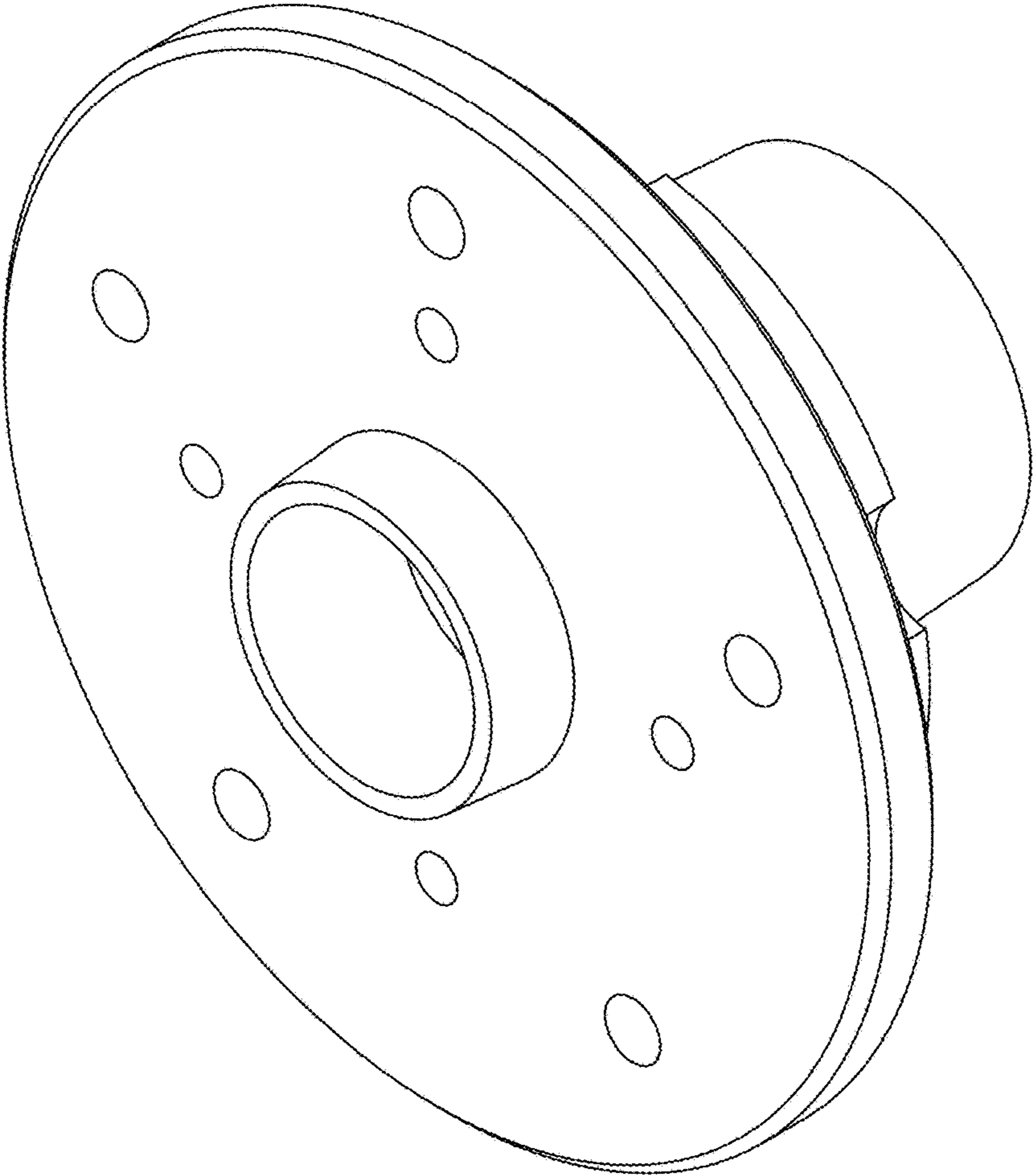


Figure 2

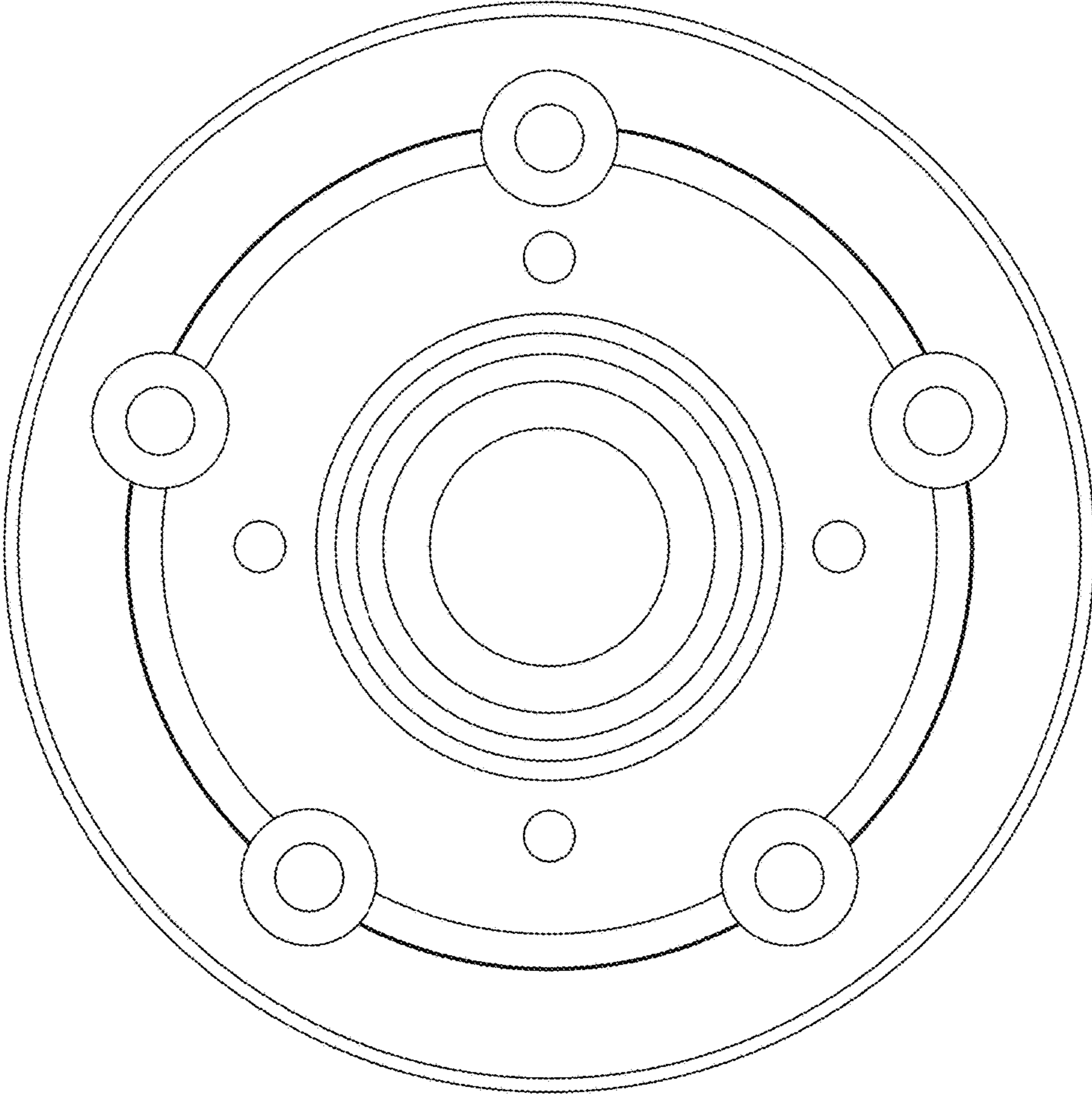


Figure 3

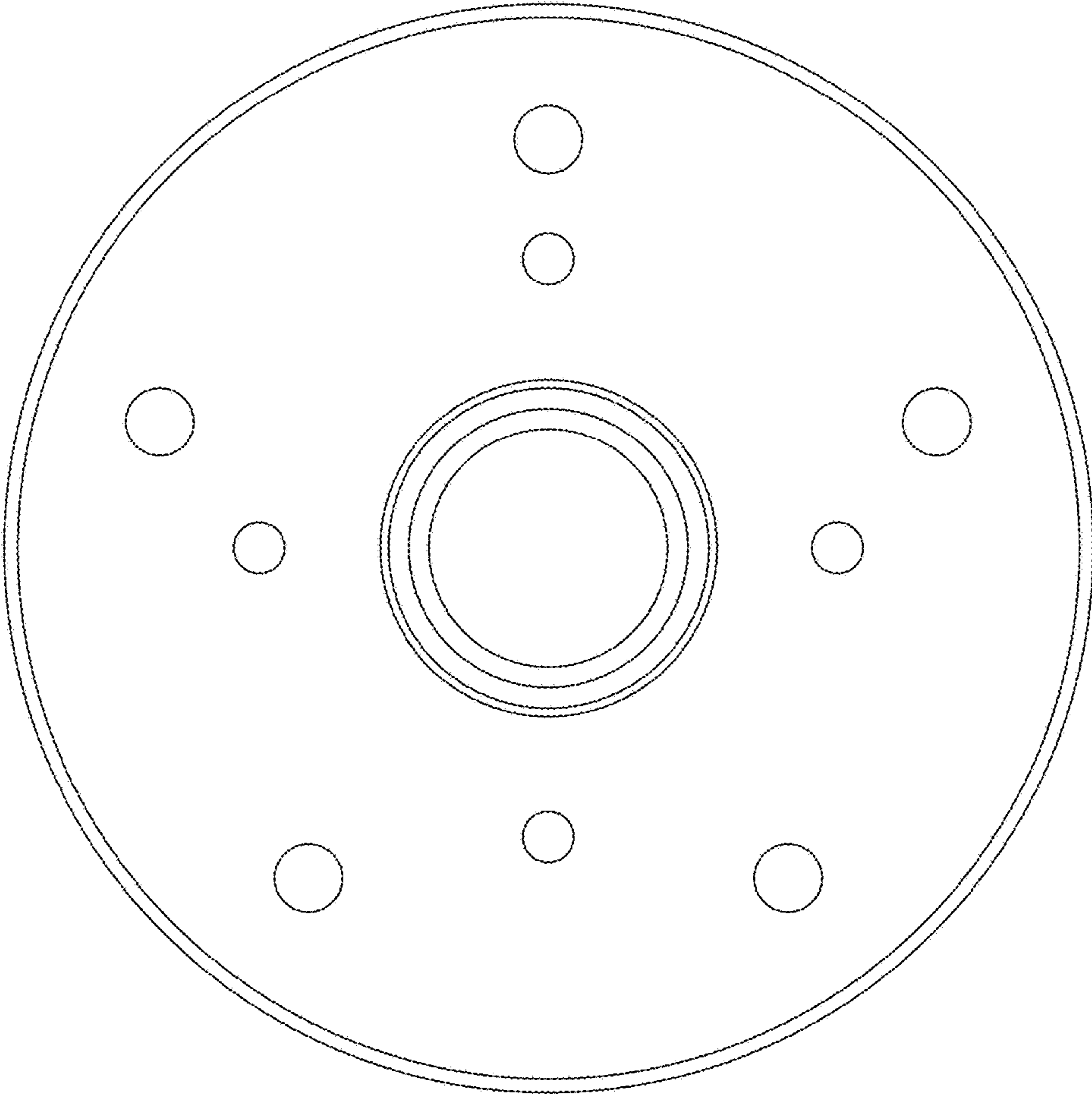


Figure 4

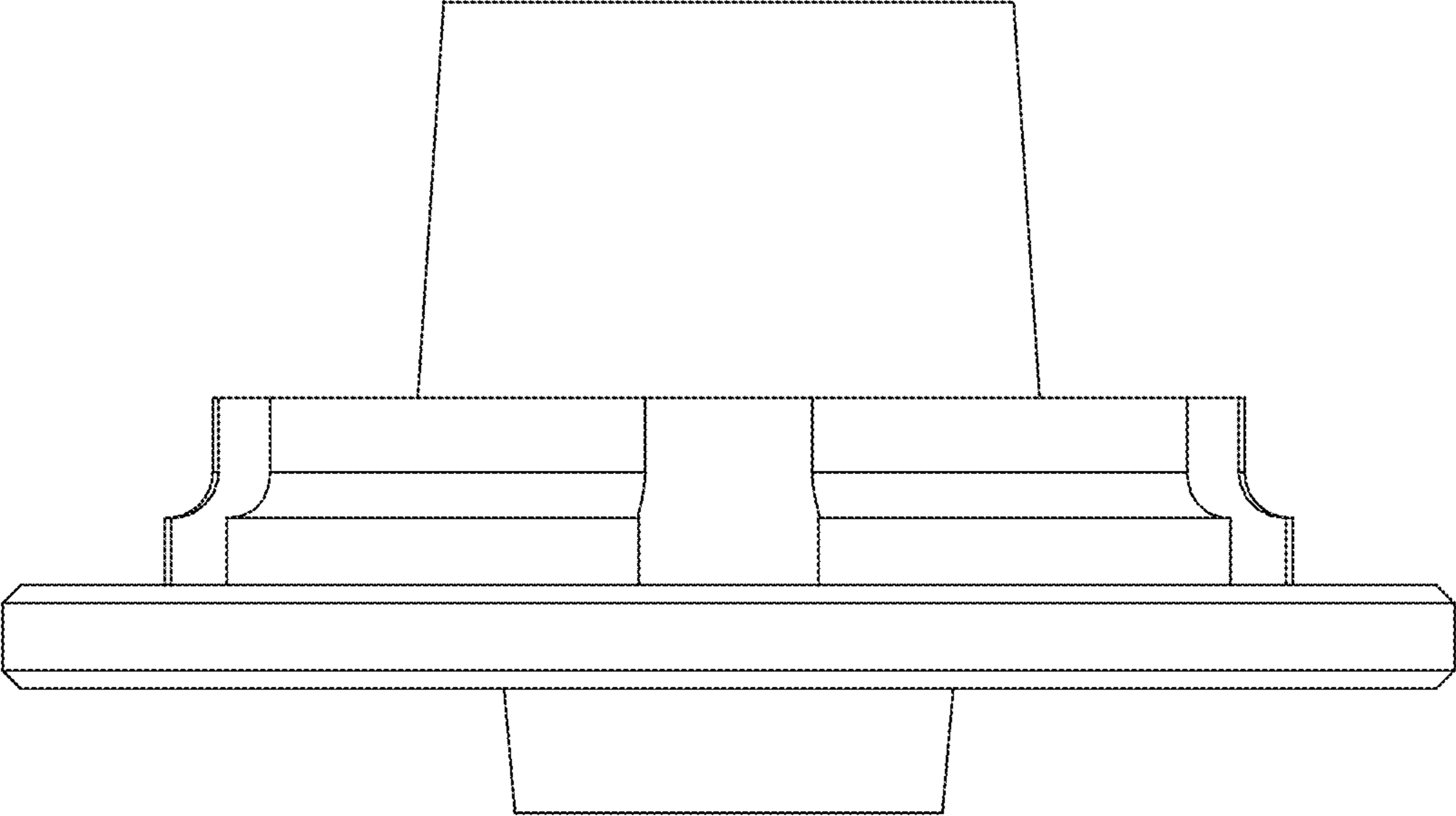


Figure 5

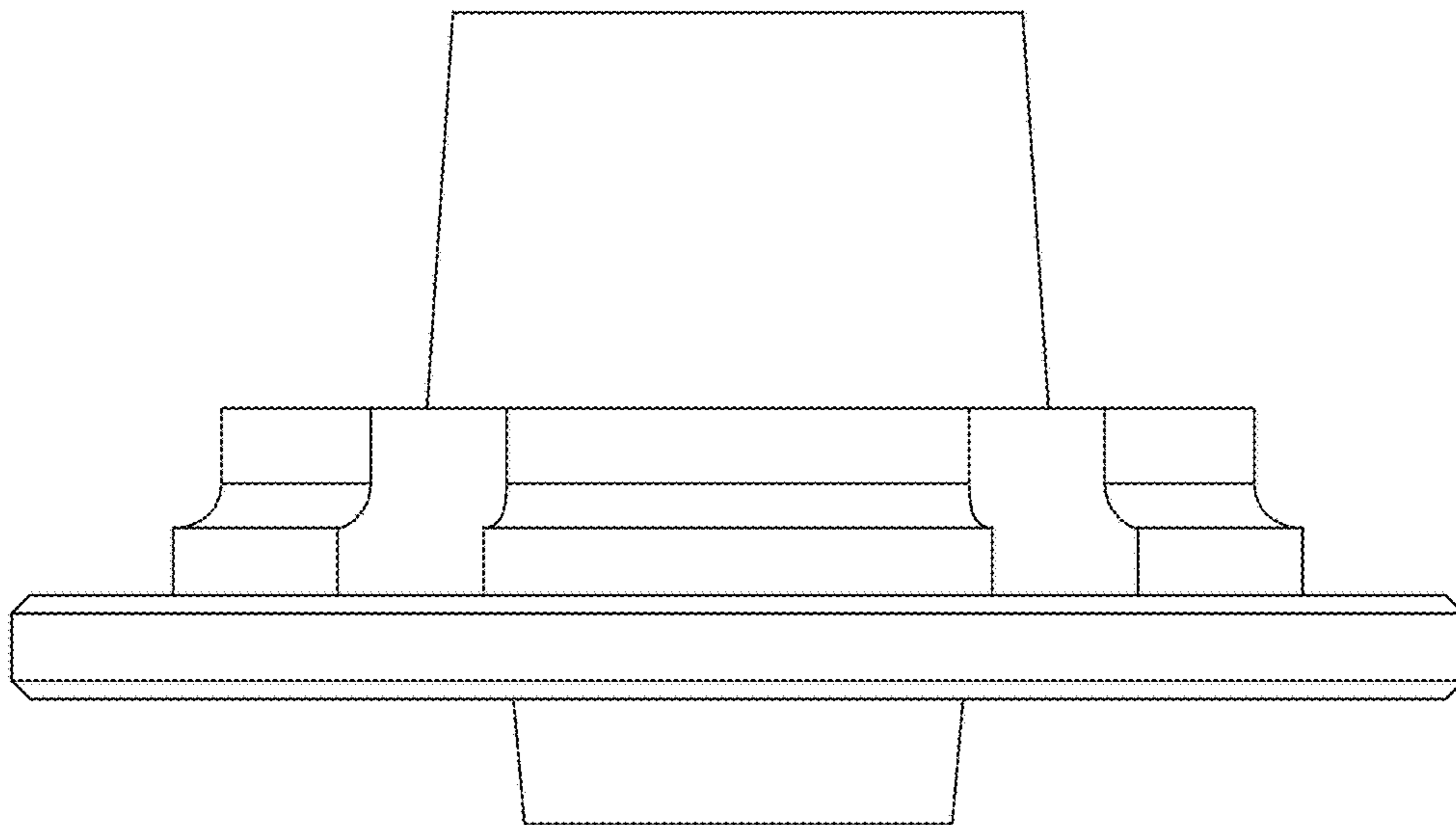


Figure 6

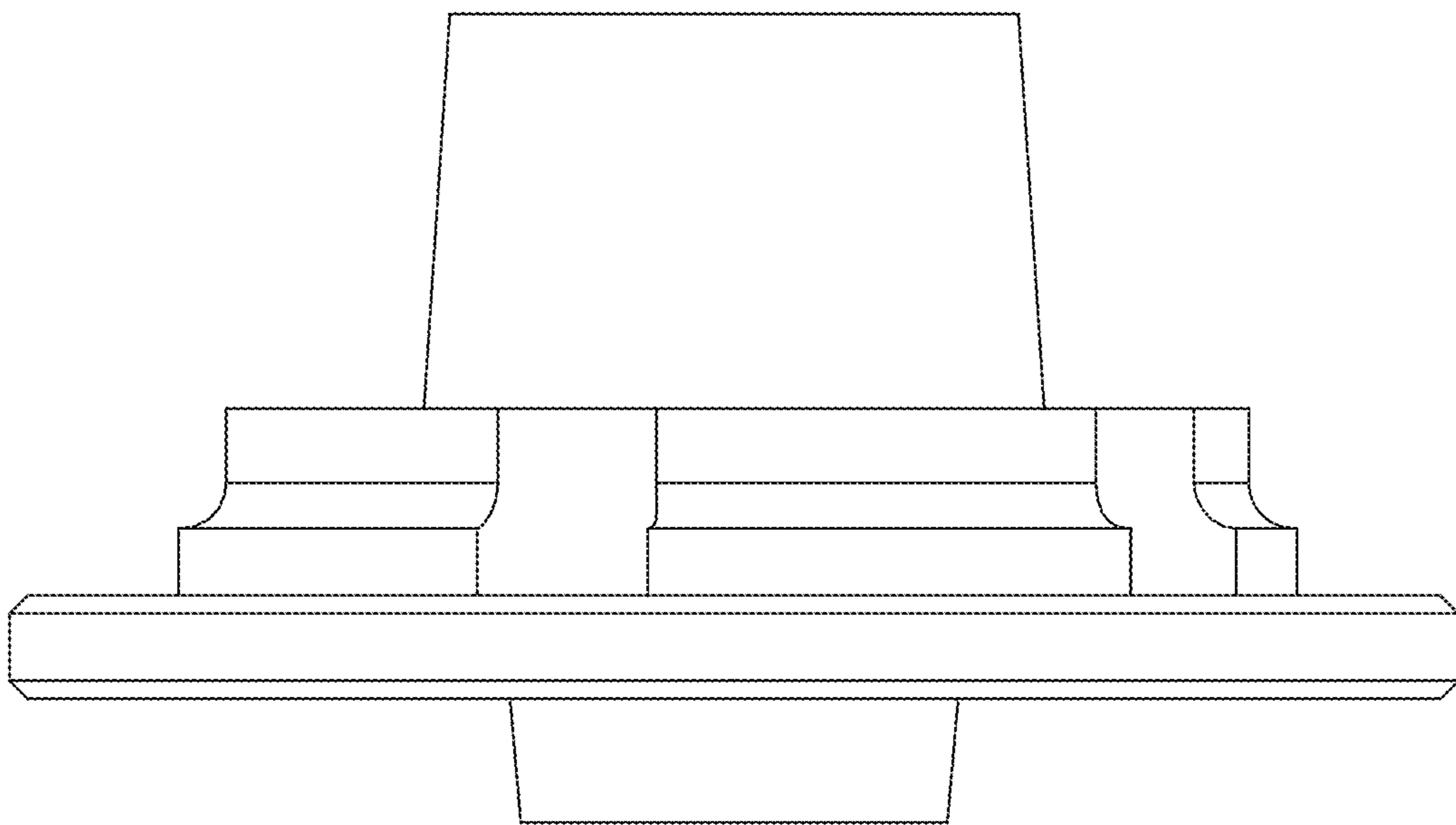


Figure 7

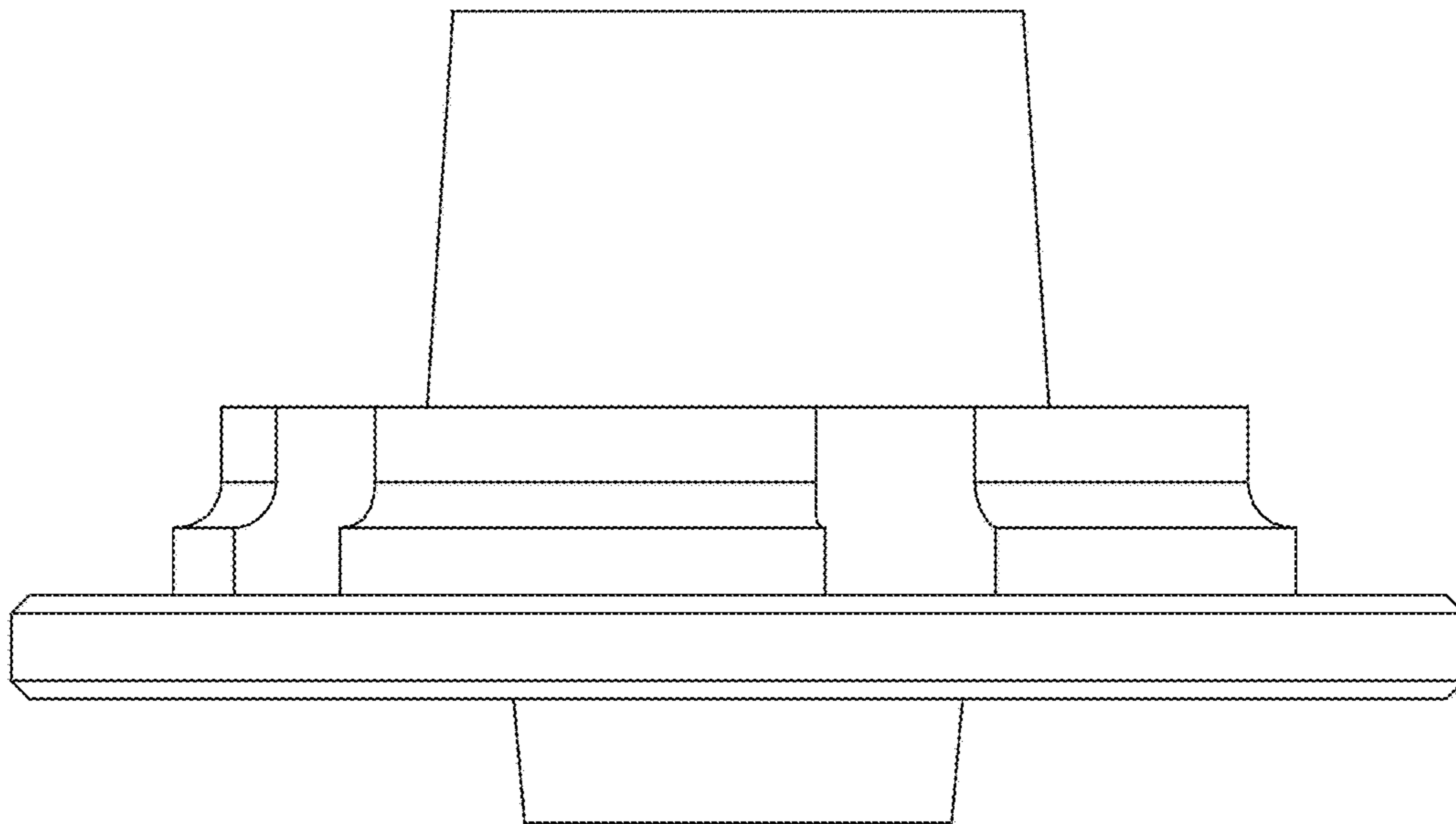


Figure 8