



US00D807259S

(12) **United States Design Patent**
Smith

(10) **Patent No.:** **US D807,259 S**
(45) **Date of Patent:** **** Jan. 9, 2018**

(54) **HANDLEBAR**

(71) Applicant: **Robert Smith**, Spicewood, TX (US)

(72) Inventor: **Robert Smith**, Spicewood, TX (US)

(**) Term: **15 Years**

(21) Appl. No.: **29/567,475**

(22) Filed: **Jun. 9, 2016**

(51) **LOC (11) Cl.** **12-16**

(52) **U.S. Cl.**
USPC **D12/178**

(58) **Field of Classification Search**
USPC D12/111, 114, 178; D8/303
CPC B62K 19/16; B62K 21/12; B62K 21/18;
B62K 21/125; B62K 23/06
See application file for complete search history.

(56) **References Cited**

U.S. PATENT DOCUMENTS

D223,072 S *	3/1972	Pawsat et al.	D12/178
D224,696 S *	8/1972	Pawsat et al.	74/551.1
5,257,552 A *	11/1993	Boyer	B62K 21/12 74/551.1
D342,475 S *	12/1993	Haro	D12/178
D425,463 S *	5/2000	Clarkson	D12/178
D431,803 S	10/2000	Renshaw	
D458,566 S *	6/2002	Carlini	D12/178
D477,798 S *	7/2003	Bean	D12/178
D496,893 S *	10/2004	Sieve	D12/178
D497,858 S *	11/2004	Fabian	D12/178
D542,197 S *	5/2007	Carlini	D12/178
7,350,437 B2 *	4/2008	Mangano	B62K 21/12 74/551.1
D572,181 S *	7/2008	Lujan	D12/178
D604,212 S *	11/2009	Carlini	D12/178
D612,307 S *	3/2010	Lujan	D12/178
D621,755 S *	8/2010	Carlini	D12/178

D629,343 S *	12/2010	Carlini	D12/178
D639,211 S *	6/2011	Lujan	D12/110
D658,098 S *	4/2012	Plainfield	D12/178
D664,079 S *	7/2012	Lujan	D12/178
D687,753 S *	8/2013	Carlini	D12/178
D689,418 S *	9/2013	Menefee	D12/178
D725,455 S *	3/2015	Carlini	D8/303
D726,607 S *	4/2015	Rickard	D12/178
D727,808 S *	4/2015	Heinz	D12/178
2012/0210821 A1 *	8/2012	Carlini	B62K 21/12 74/551.8

* cited by examiner

Primary Examiner — Darlington Ly
(74) *Attorney, Agent, or Firm* — Vincent J. Allen;
Carstens & Cahoon, LLP

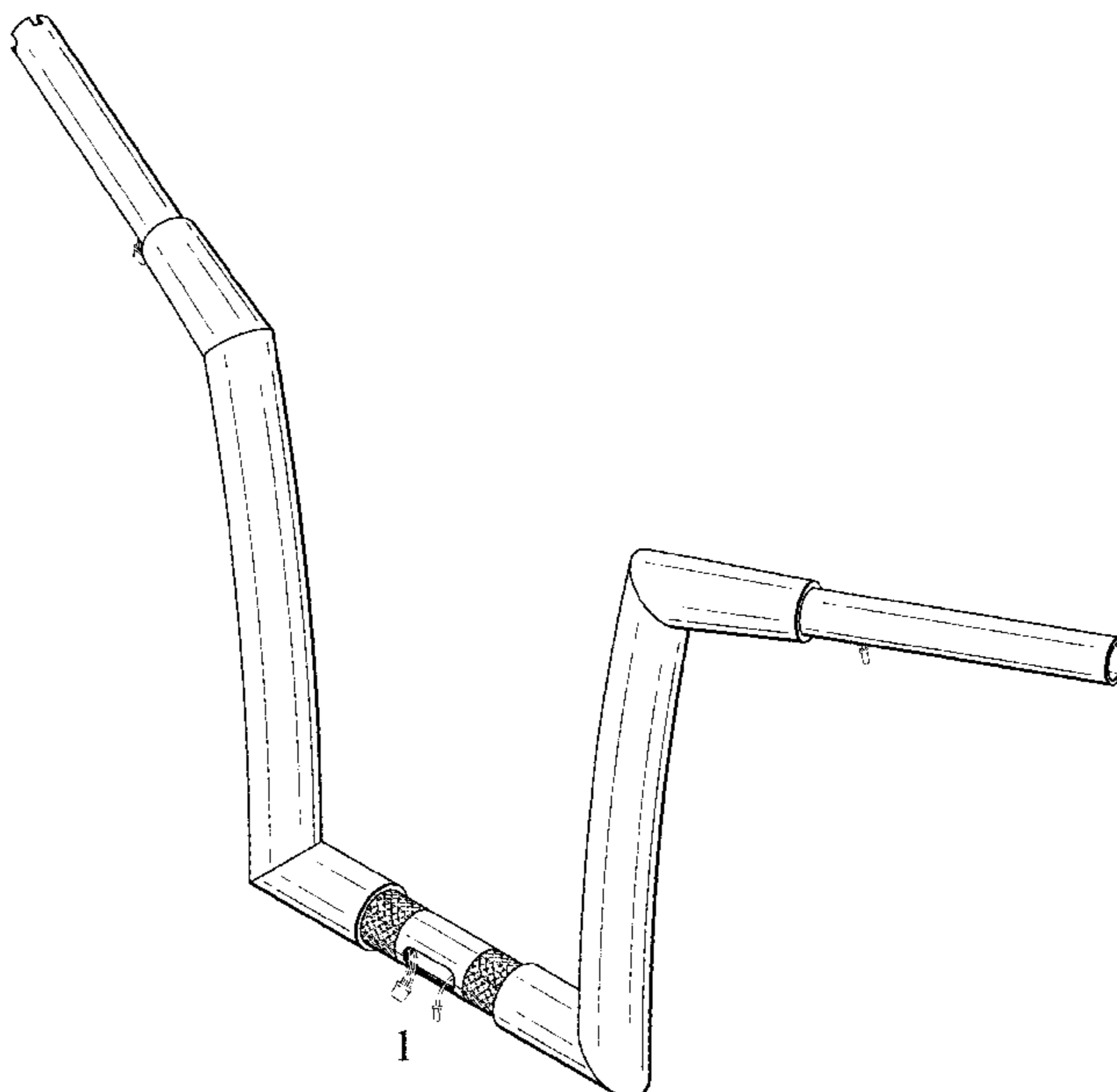
(57) **CLAIM**

The ornamental design for a handlebar, as shown and described.

DESCRIPTION

FIG. 1 is a perspective view of a handlebar.
 FIG. 2 is a front elevation view of the handlebar illustrated in FIG. 1.
 FIG. 3 is a rear elevation view of the handlebar illustrated in FIG. 1.
 FIG. 4 is an elevation view of the left side of the handlebar illustrated in FIG. 1.
 FIG. 5 is an elevation view of the right of the handlebar illustrated in FIG. 1.
 FIG. 6 is a top plan view of the handlebar illustrated in FIG. 1; and,
 FIG. 7 is a bottom plan view of the handlebar illustrated in FIG. 1.
 The broken line in the drawings illustrate portions of the handlebar that form no part of the claimed design.

1 Claim, 5 Drawing Sheets



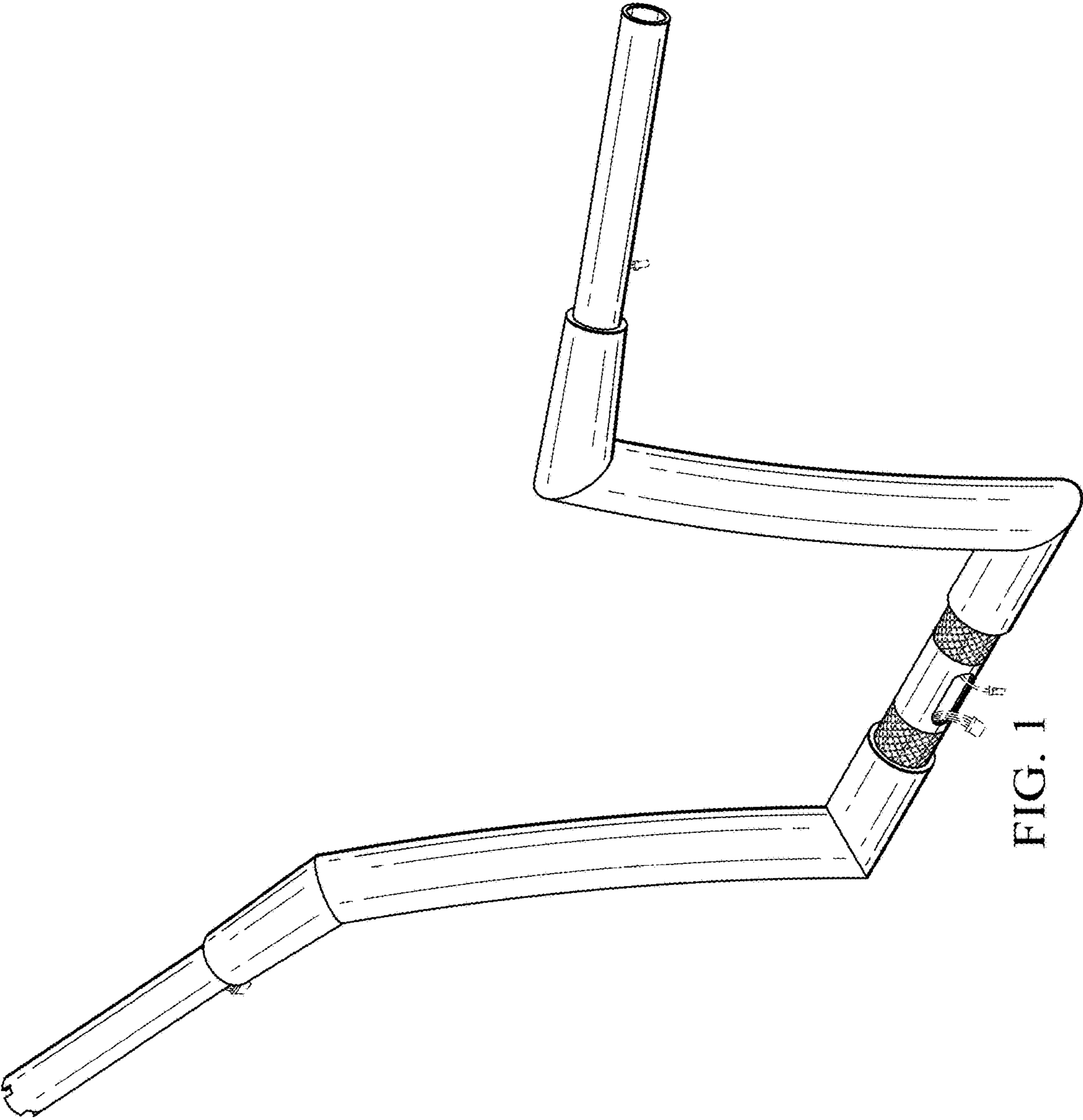


FIG. 1

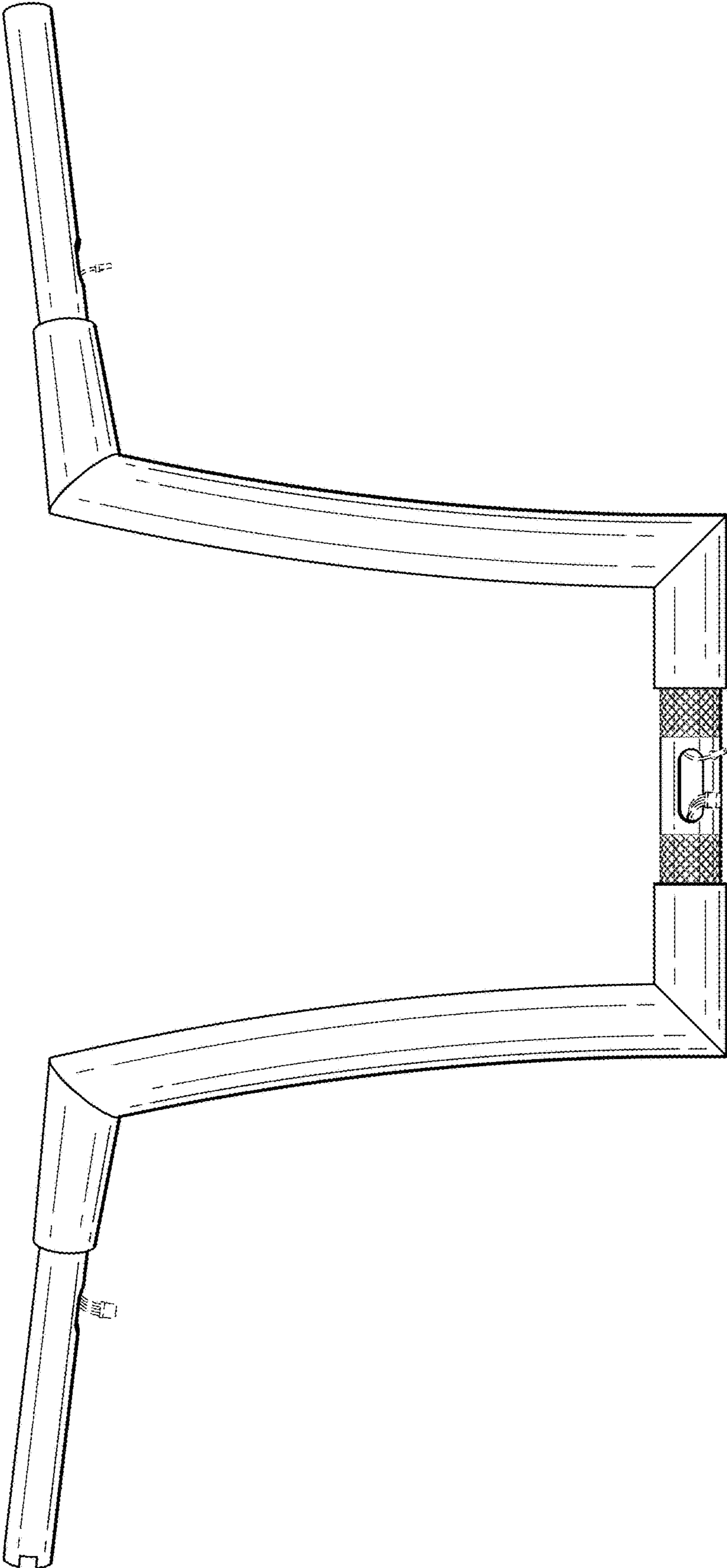


FIG. 2

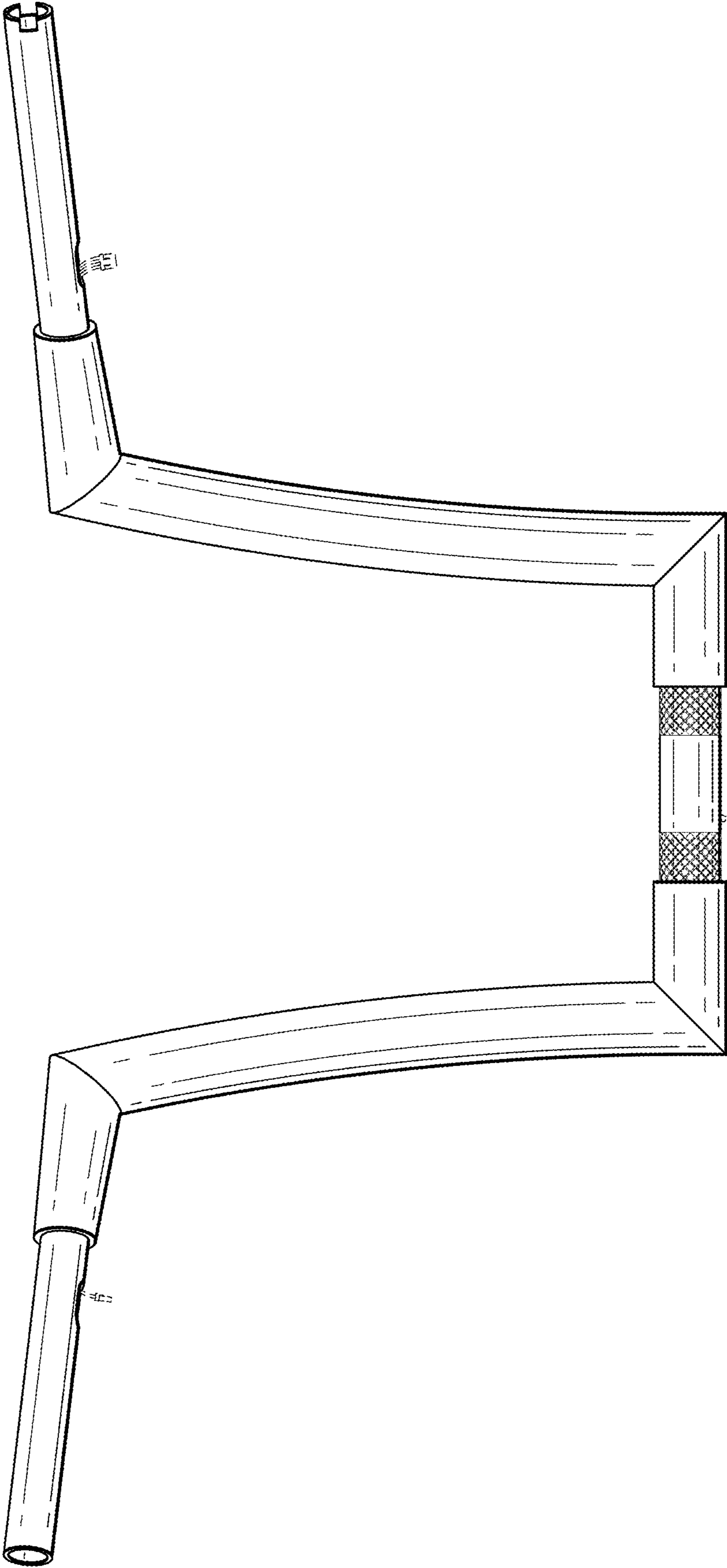


FIG. 3

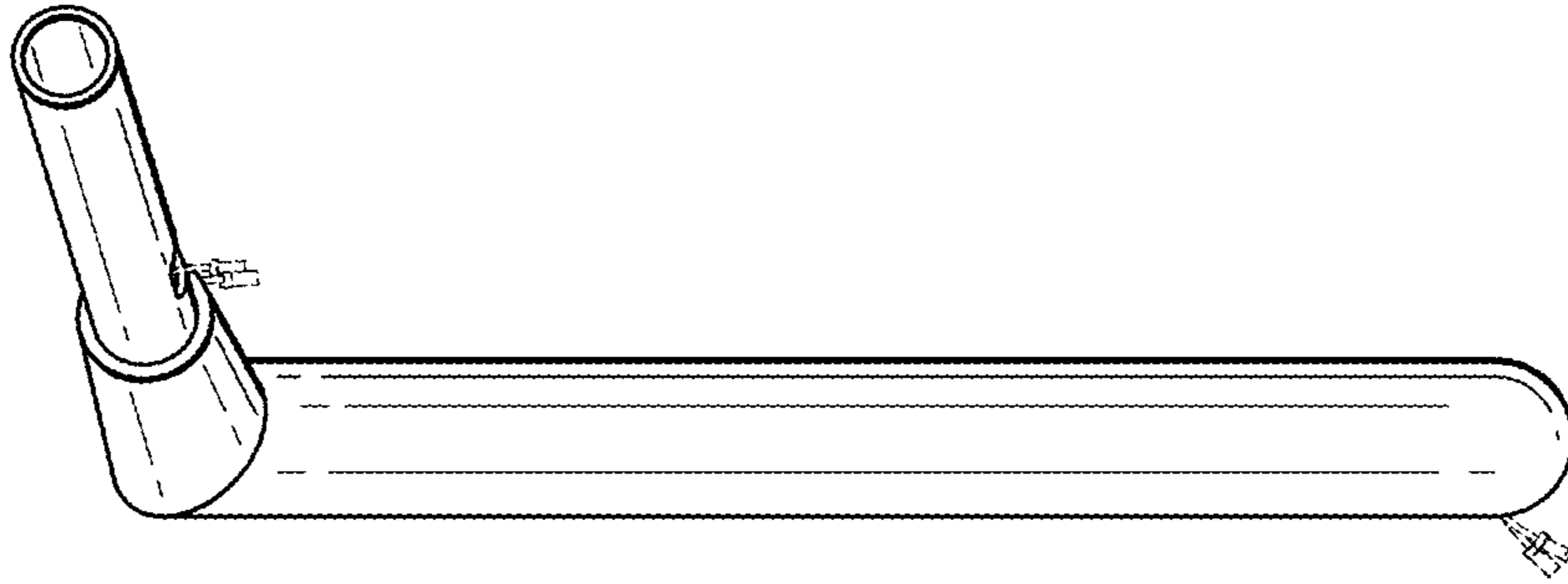


FIG. 5

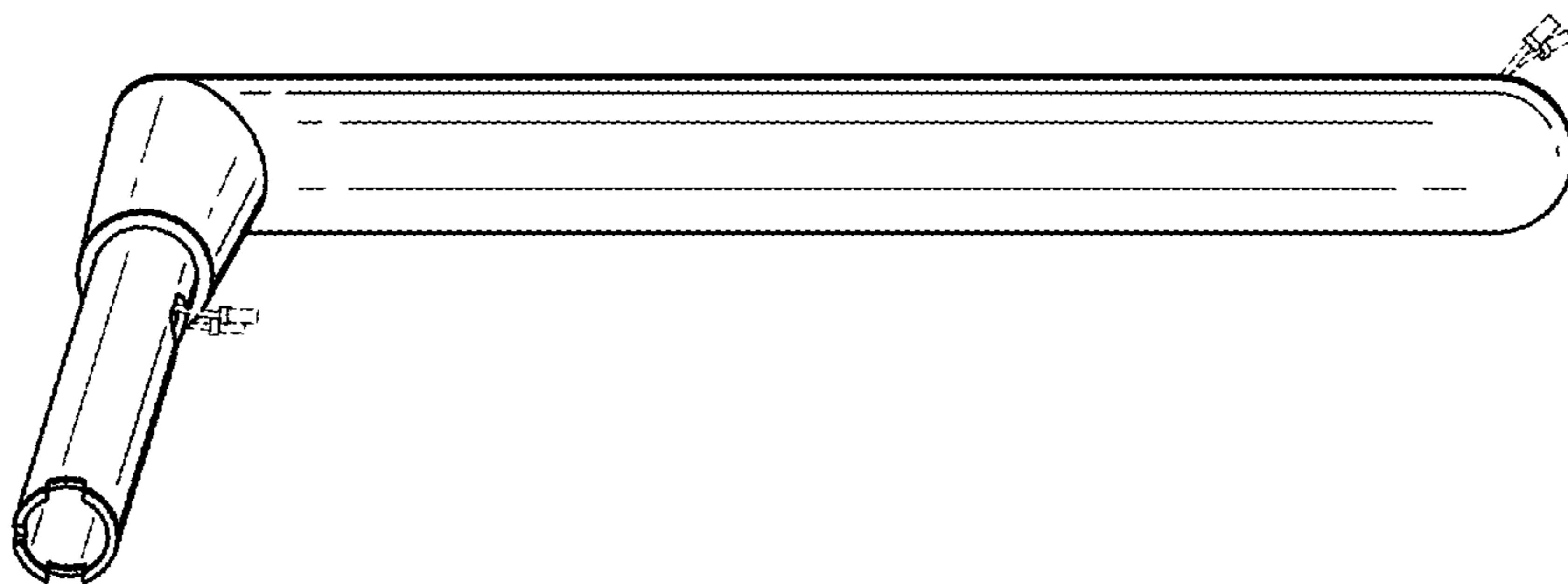


FIG. 4

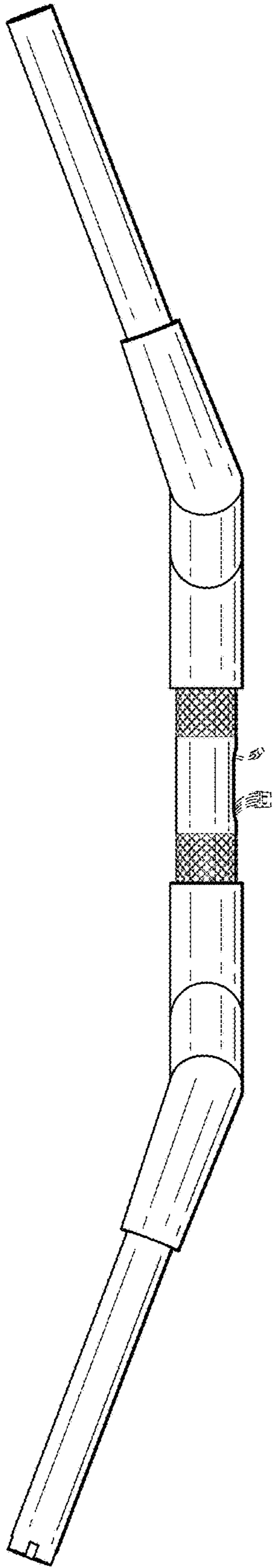


FIG. 6

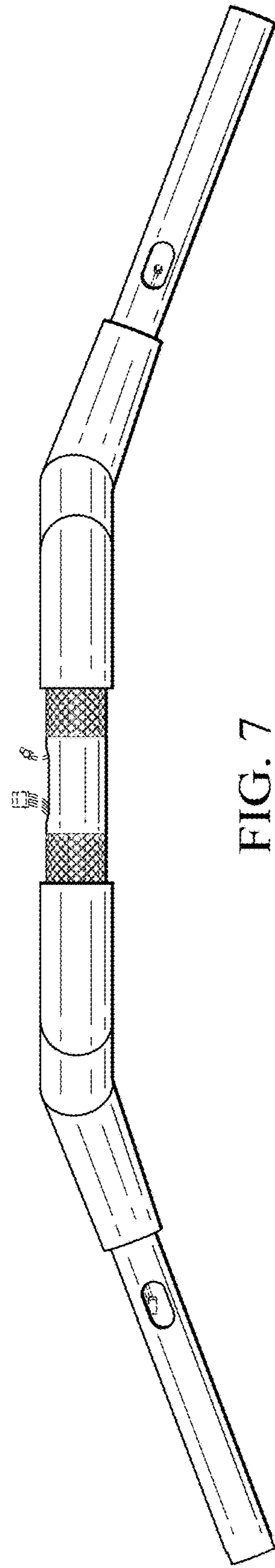


FIG. 7