



US00D807258S

(12) **United States Design Patent** (10) **Patent No.:** **US D807,258 S**  
**Patel et al.** (45) **Date of Patent:** **\*\* Jan. 9, 2018**

(54) **REAR BUMPER**

CPC ..... B60R 19/02; B60R 19/04; B62D 25/08  
See application file for complete search history.

(71) Applicant: **Jaguar Land Rover Limited**, Whitley,  
Coventry (GB)

(56) **References Cited**

(72) Inventors: **Paven Patel**, Coventry (GB); **Alex Chan**, Coventry (GB); **Michael O'Neill**, Coventry (GB)

U.S. PATENT DOCUMENTS

(73) Assignee: **Jaguar Land Rover Limited**, Whitley,  
Coventry (GB)

|              |         |                     |         |
|--------------|---------|---------------------|---------|
| D699,167 S * | 2/2014  | Sato .....          | D12/169 |
| D714,196 S * | 9/2014  | Mays .....          | D12/169 |
| D738,800 S * | 9/2015  | Mueller-Stolz ..... | D12/169 |
| D740,728 S * | 10/2015 | Gunnarson .....     | D12/169 |
| D750,539 S * | 3/2016  | Iwauchi .....       | D12/169 |
| D754,576 S * | 4/2016  | Nissl .....         | D12/169 |
| D760,129 S * | 6/2016  | Whang .....         | D12/169 |
| D766,784 S * | 9/2016  | Arroba .....        | D12/169 |
| D784,864 S * | 4/2017  | Patel .....         | D12/169 |

(\*\*) Term: **15 Years**

\* cited by examiner

(21) Appl. No.: **29/596,767**

*Primary Examiner* — Melody N Brown

(22) Filed: **Mar. 10, 2017**

(74) *Attorney, Agent, or Firm* — Wood Herron & Evans  
LLP

**Related U.S. Application Data**

(62) Division of application No. 29/532,494, filed on Jul.  
7, 2015, now Pat. No. Des. 784,864.

(57) **CLAIM**

The ornamental design for a rear bumper, as shown and  
described.

(30) **Foreign Application Priority Data**

|               |            |           |
|---------------|------------|-----------|
| Jan. 9, 2015  | (EM) ..... | 002611020 |
| Jun. 29, 2015 | (EM) ..... | 002727644 |
| Jul. 1, 2015  | (EM) ..... | 002729723 |

**DESCRIPTION**

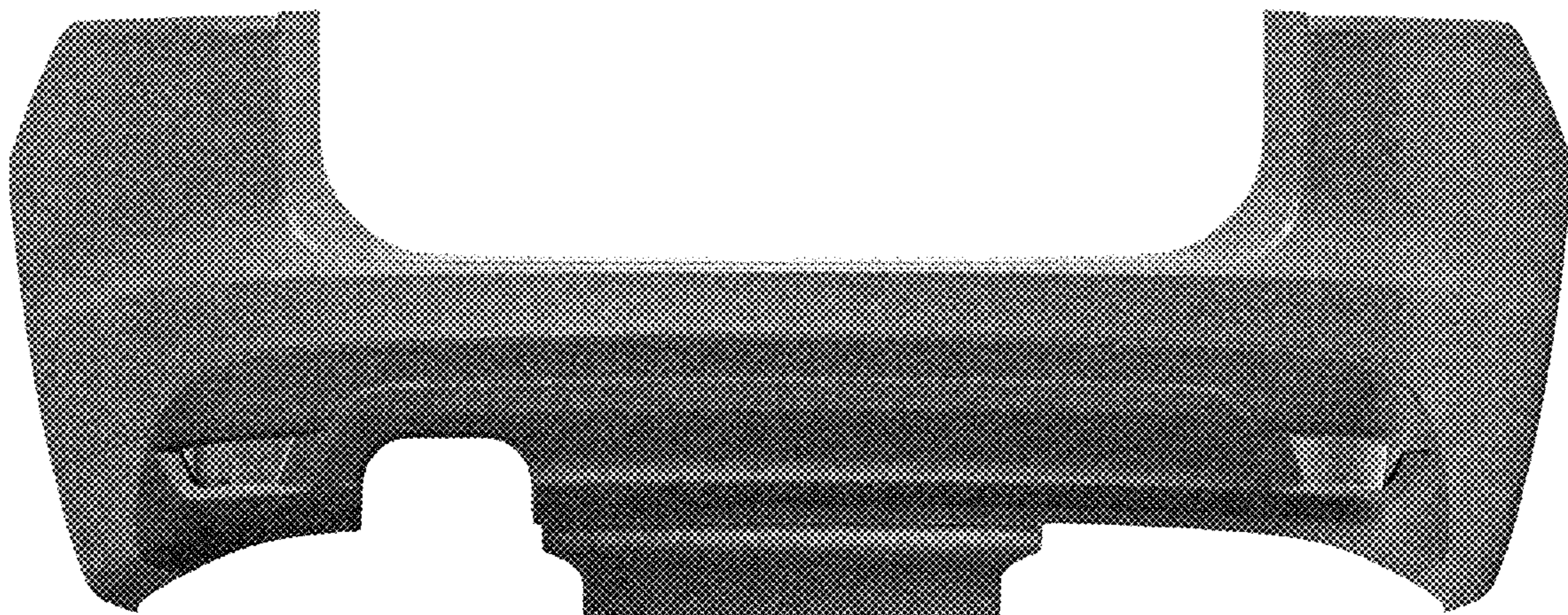
(51) **LOC (11) Cl.** ..... **12-16**

(52) **U.S. Cl.**  
USPC ..... **D12/169**

(58) **Field of Classification Search**  
USPC .... D12/169, 216, 90-92, 86, 171, 196, 163;  
293/102, 113, 115, 117, 120; 296/180.1,  
296/180.2

FIG. 1 is a right, front perspective view of a rear bumper  
showing our new design;  
FIG. 2 is a left, rear perspective view thereof;  
FIG. 3 is a front view thereof.  
FIG. 4 is a rear view thereof.  
FIG. 5 is a right side view thereof.  
FIG. 6 is a left side view thereof; and,  
FIG. 7 is a top view thereof.

**1 Claim, 6 Drawing Sheets**



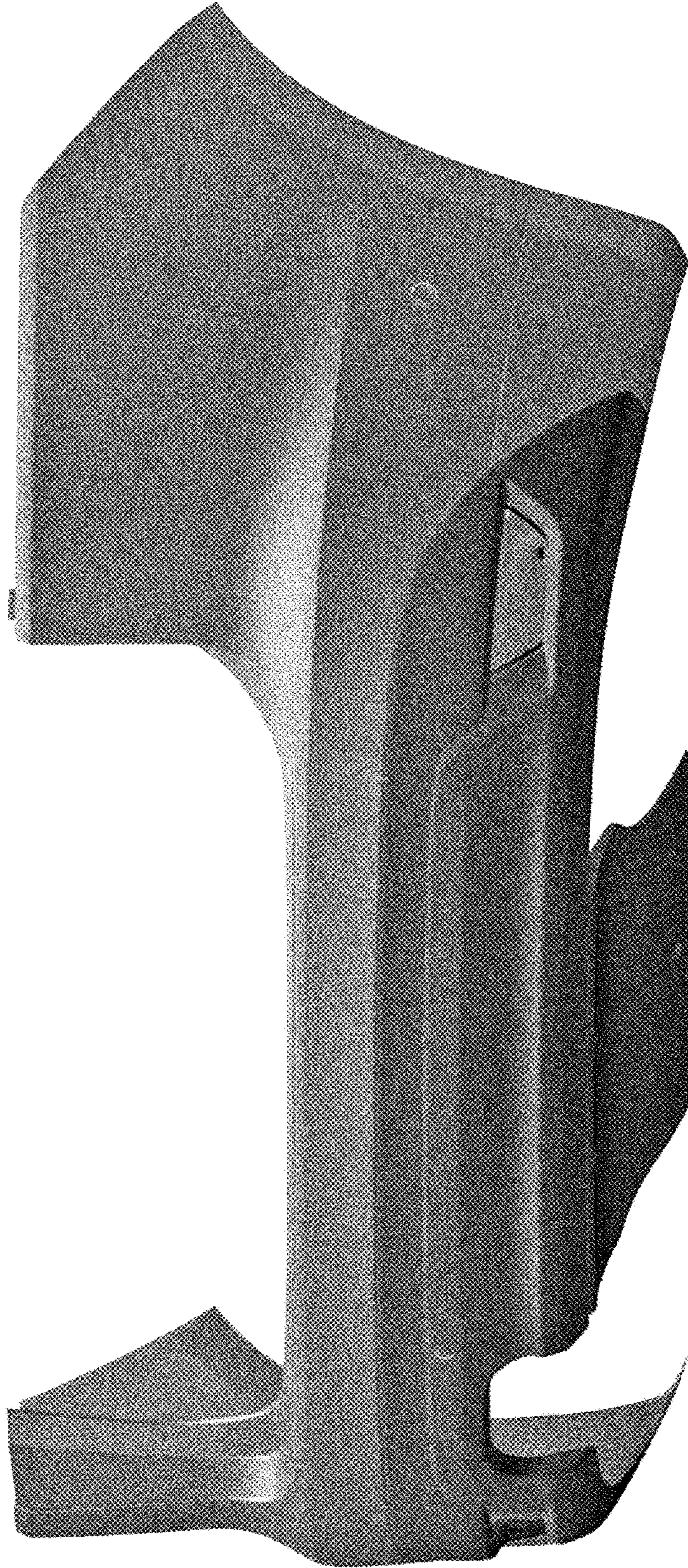


FIG. 1

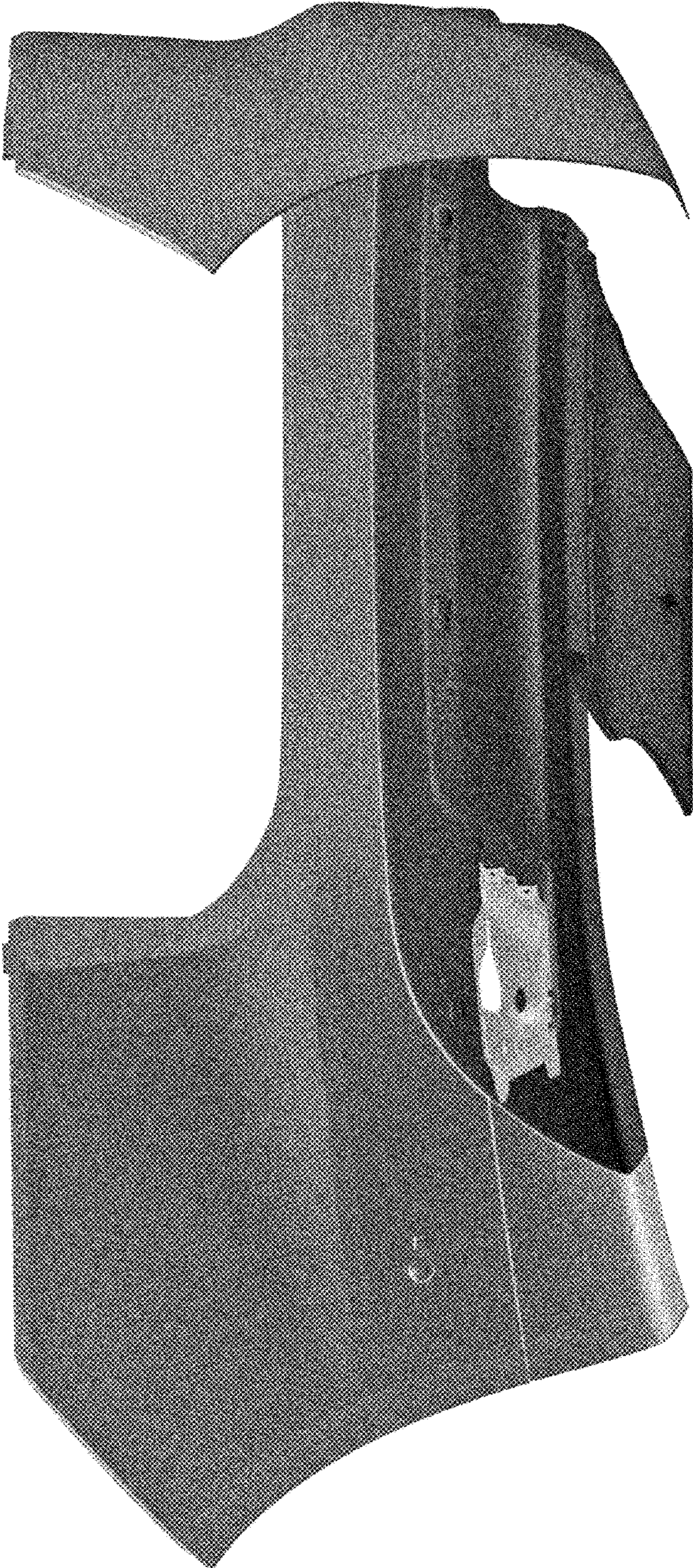


FIG. 2

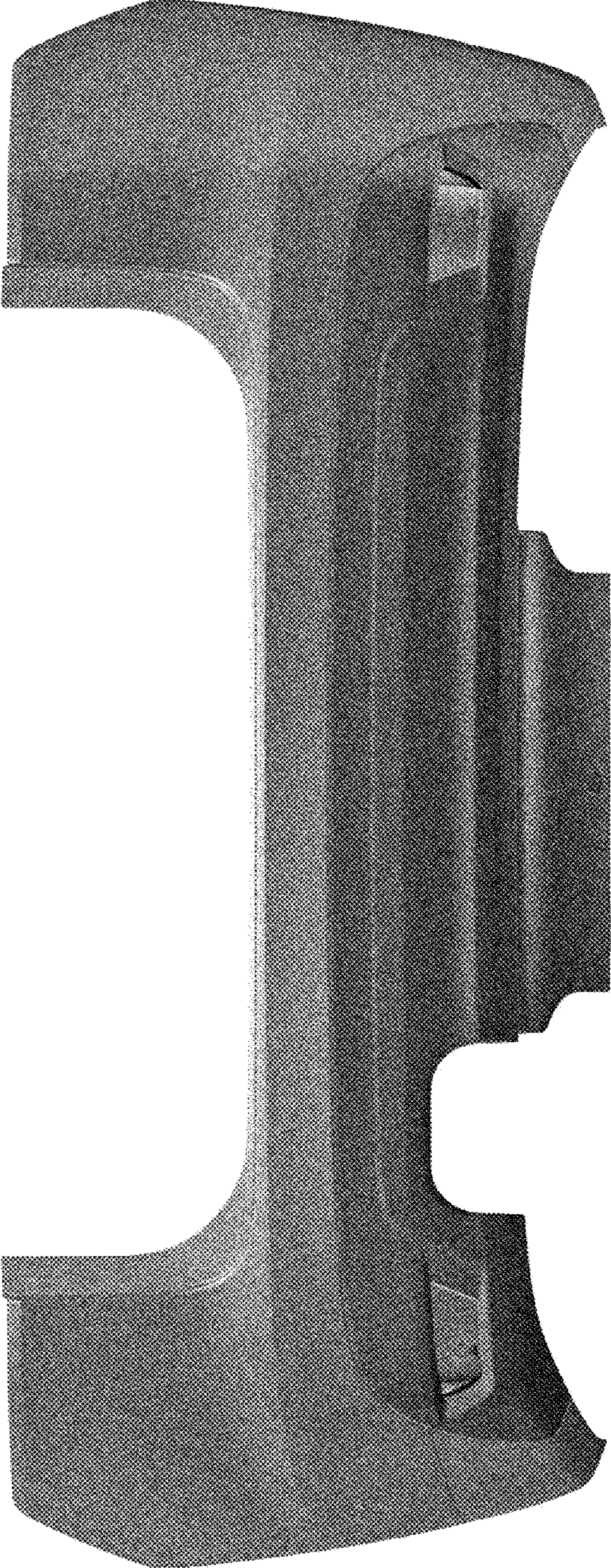


FIG. 3

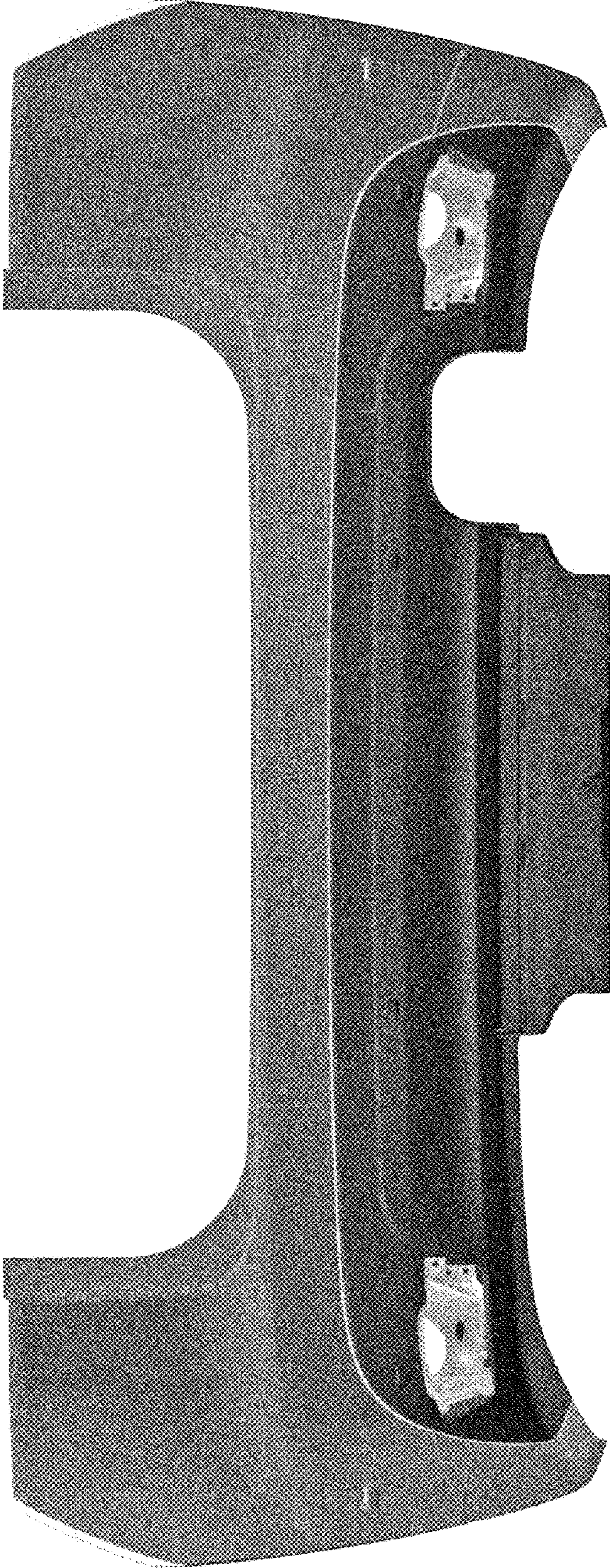


FIG. 4

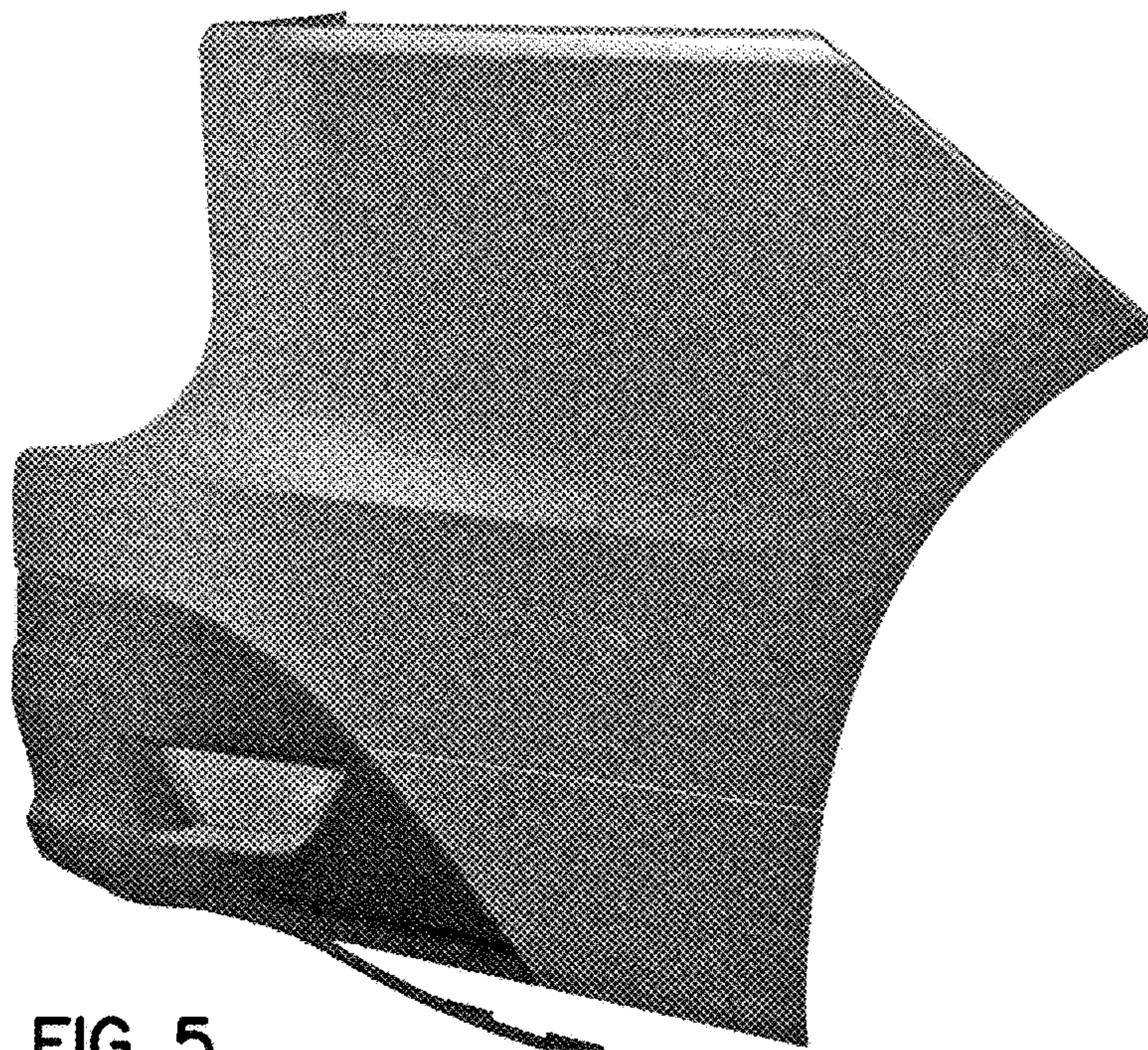


FIG. 5

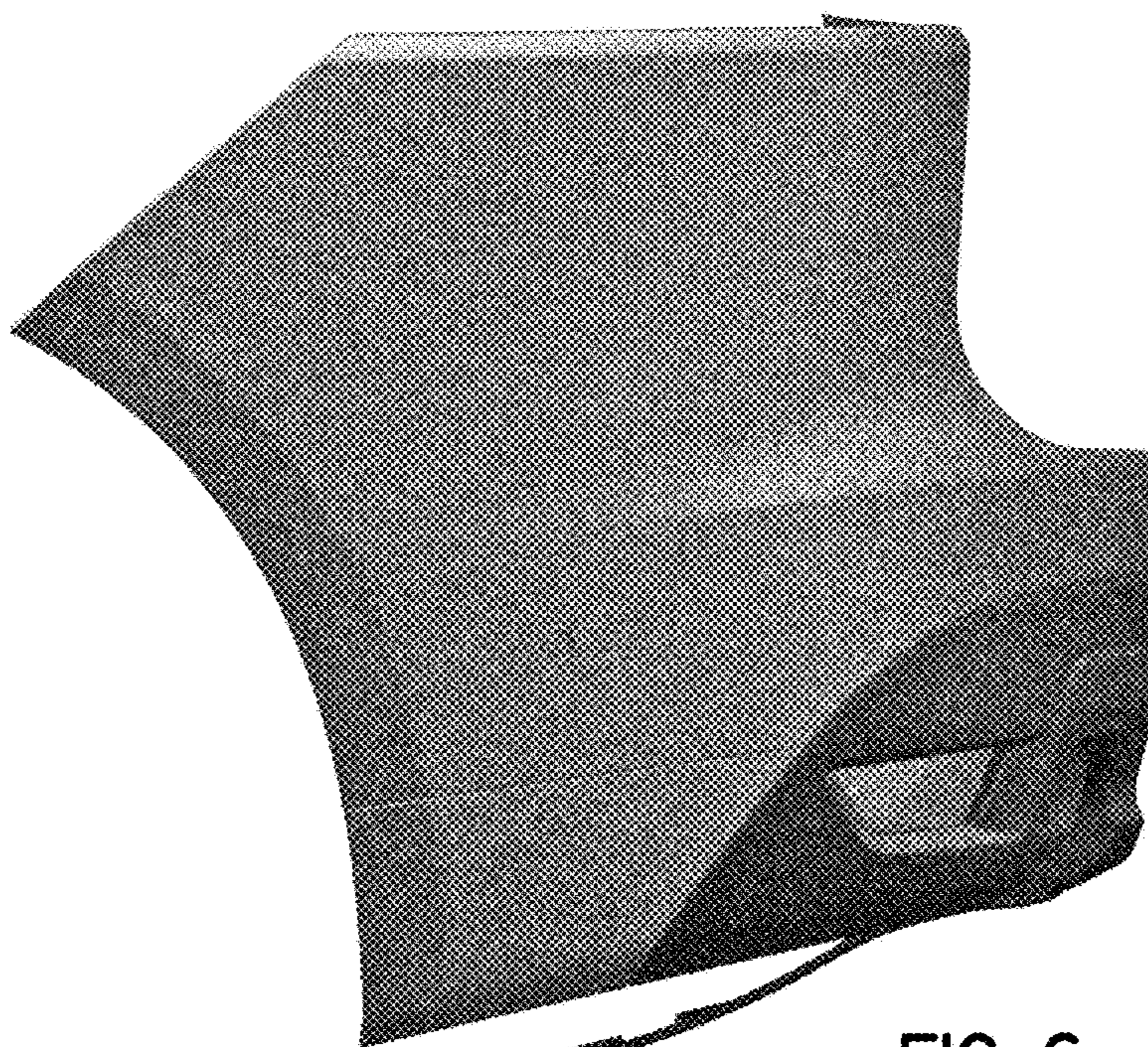


FIG. 6

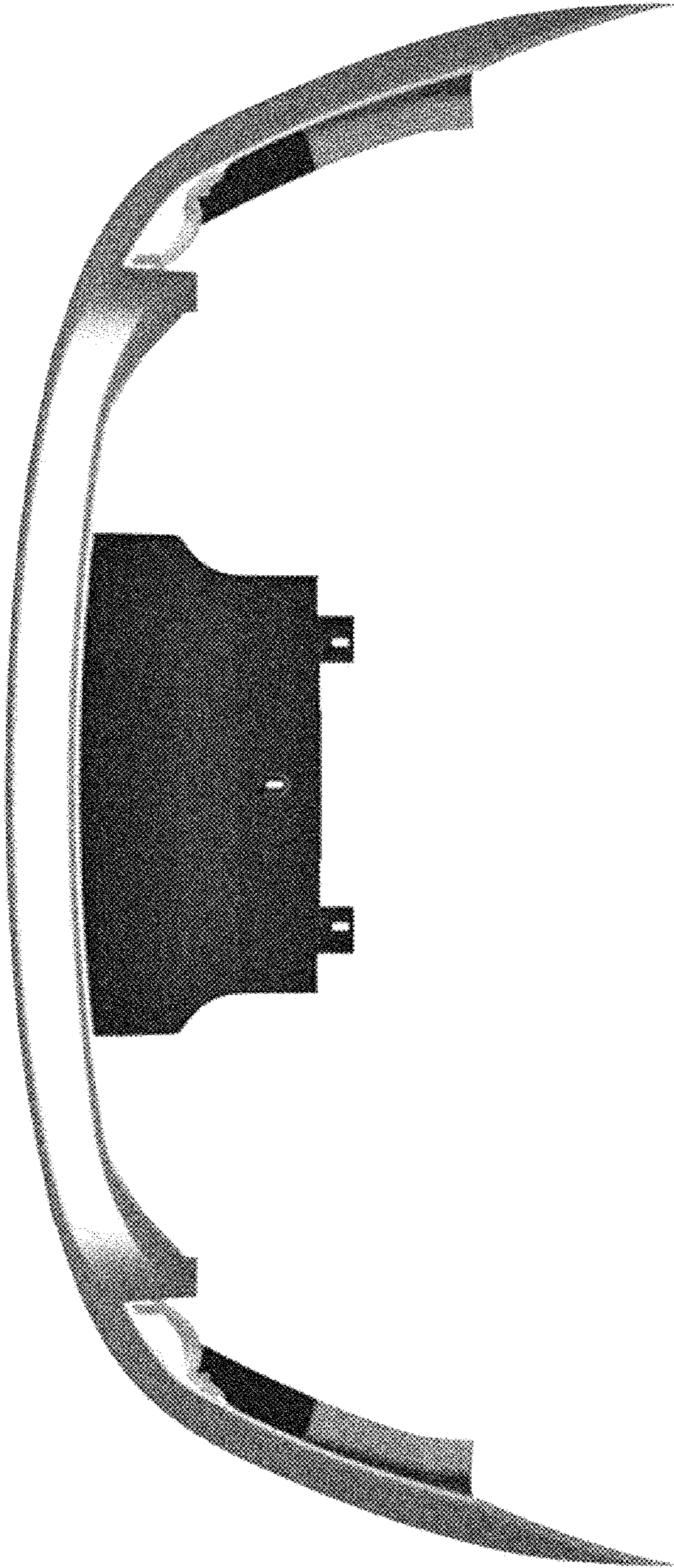


FIG. 7