



US00D807257S

(12) **United States Design Patent** (10) **Patent No.:** **US D807,257 S**  
**Piscitelli et al.** (45) **Date of Patent:** **\*\* Jan. 9, 2018**

(54) **VEHICLE LOWER REAR BUMPER**  
(71) Applicants: **Chris Piscitelli**, West Bloomfield, MI (US); **Vincent J. Galante**, Lake Orion, MI (US)  
(72) Inventors: **Chris Piscitelli**, West Bloomfield, MI (US); **Vincent J. Galante**, Lake Orion, MI (US)  
(73) Assignee: **FCA US LLC**, Auburn Hills, MI (US)

D544,418 S \* 6/2007 Kono ..... D12/169  
D586,706 S \* 2/2009 Bauer ..... D12/169  
D678,139 S \* 3/2013 Aikawa ..... D12/169  
D688,991 S \* 9/2013 Song ..... D12/169  
D701,799 S \* 4/2014 Futschik ..... D12/169  
D733,019 S \* 6/2015 Burki ..... D12/169  
D736,126 S \* 8/2015 Hammoud ..... D12/169  
D745,445 S \* 12/2015 Loeb ..... D12/169  
D763,747 S \* 8/2016 Hammoud ..... D12/169  
D766,144 S \* 9/2016 Lesnik ..... D12/169  
D766,787 S \* 9/2016 Lesnik ..... D12/169

(\*\*) Term: **15 Years**  
(21) Appl. No.: **29/594,858**  
(22) Filed: **Feb. 23, 2017**

\* cited by examiner  
*Primary Examiner* — Melody N Brown  
(74) *Attorney, Agent, or Firm* — Ralph E. Smith

**Related U.S. Application Data**

(63) Continuation-in-part of application No. 29/568,731, filed on Jun. 21, 2016.  
(51) **LOC (11) Cl.** ..... **12-16**  
(52) **U.S. Cl.**  
USPC ..... **D12/169**  
(58) **Field of Classification Search**  
USPC .... D12/169, 216, 90-92, 86, 171, 196, 163;  
293/102, 113, 115, 117, 120; 296/180.1,  
296/180.2  
CPC ..... B60R 19/02; B60R 19/04; B62D 25/08  
See application file for complete search history.

(57) **CLAIM**

The ornamental design for a vehicle lower rear bumper, as shown and described.

**DESCRIPTION**

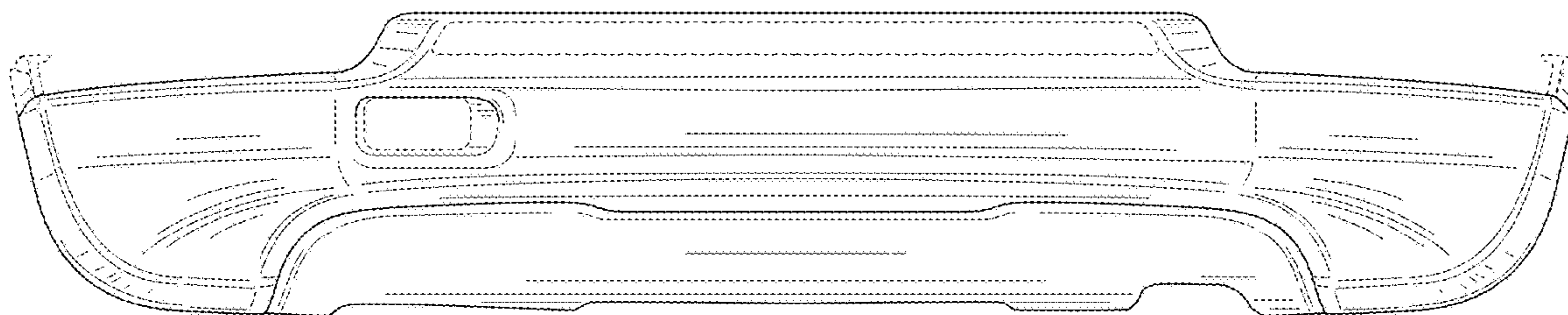
FIG. 1 is a front perspective view of a vehicle lower rear bumper showing our new design;  
FIG. 2 is a front view thereof;  
FIG. 3 is a rear view thereof;  
FIG. 4 is a side view thereof;  
FIG. 5 is a top view thereof; and,  
FIG. 6 is a bottom view.  
It will be understood that the broken lines shown in the drawings illustrate portions of the vehicle lower rear bumper that form no part of claimed design.

(56) **References Cited**

**U.S. PATENT DOCUMENTS**

D512,002 S \* 11/2005 Pfeiffer ..... D12/169  
D514,027 S \* 1/2006 Pfeiffer ..... D12/92

**1 Claim, 6 Drawing Sheets**



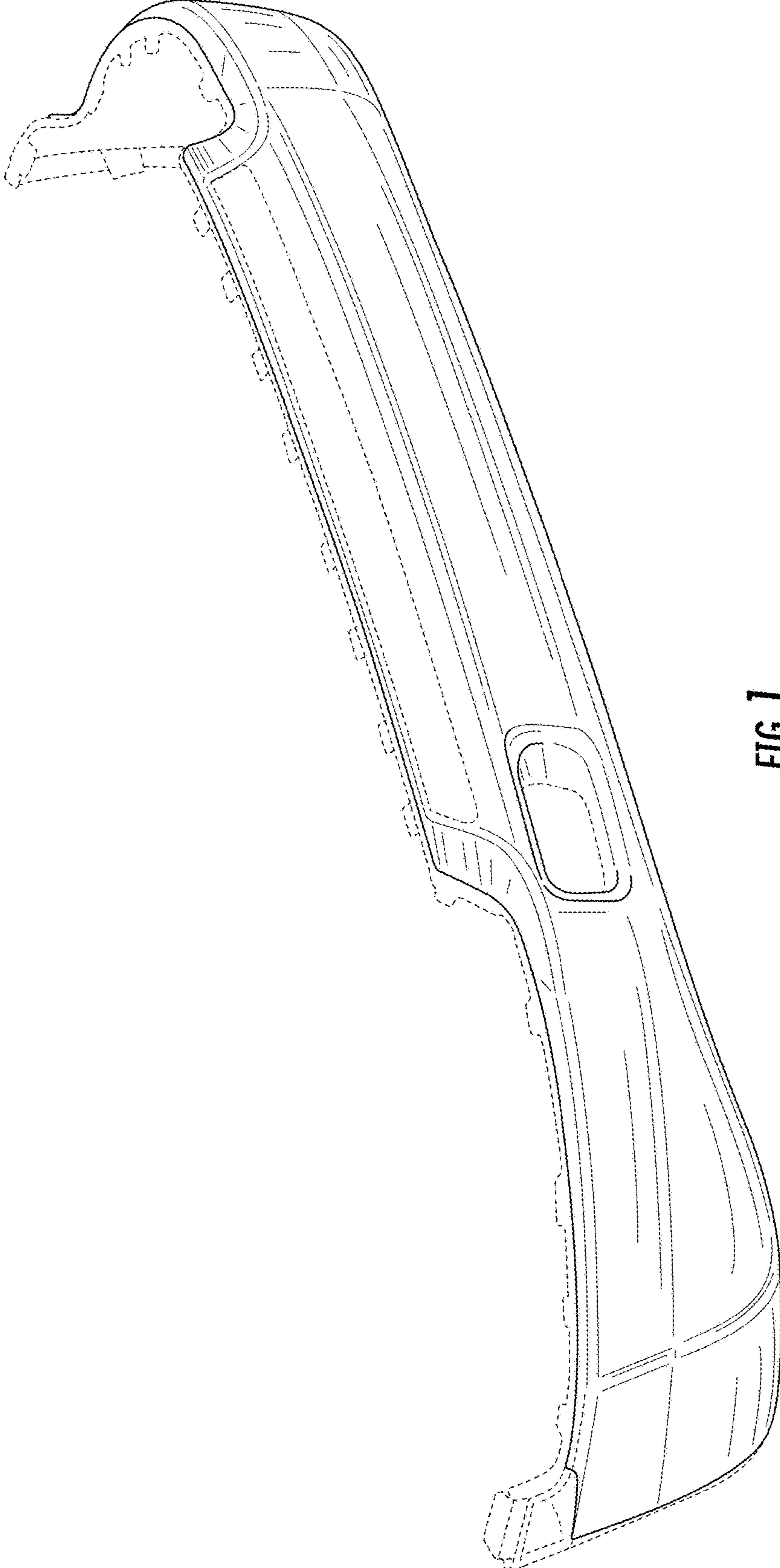


FIG. 1

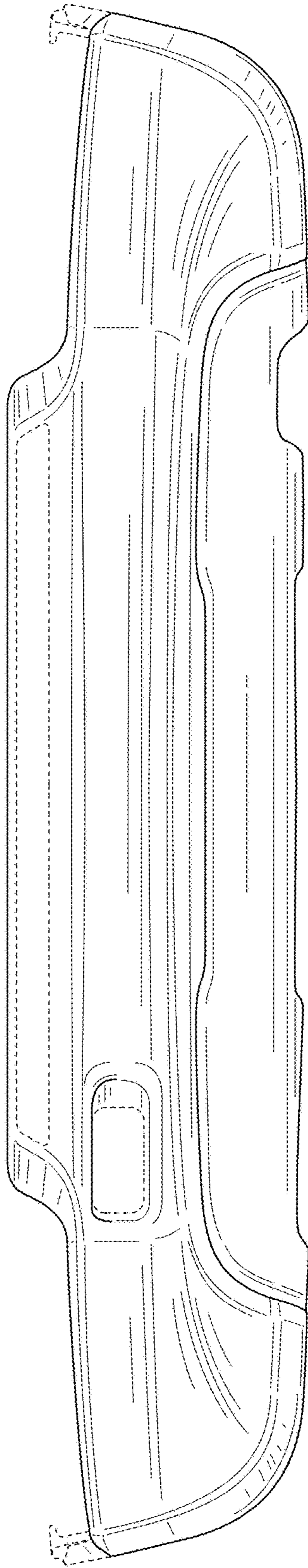


FIG. 2

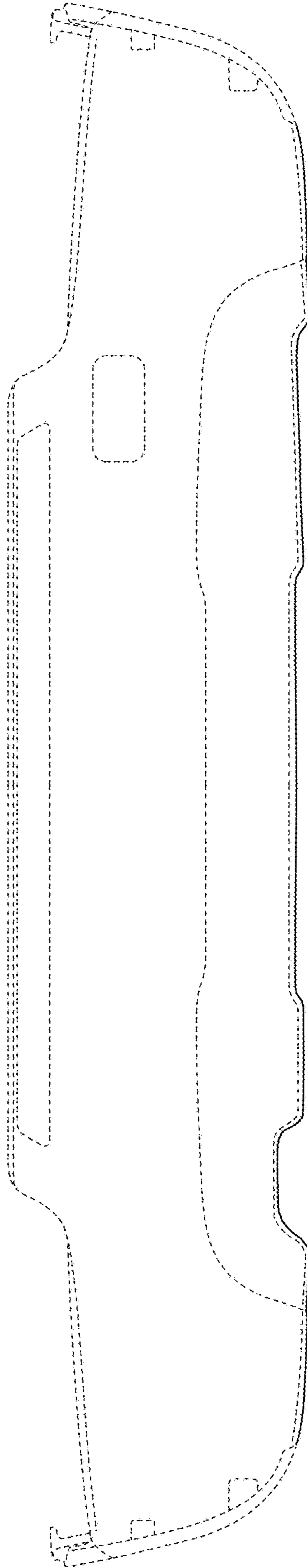
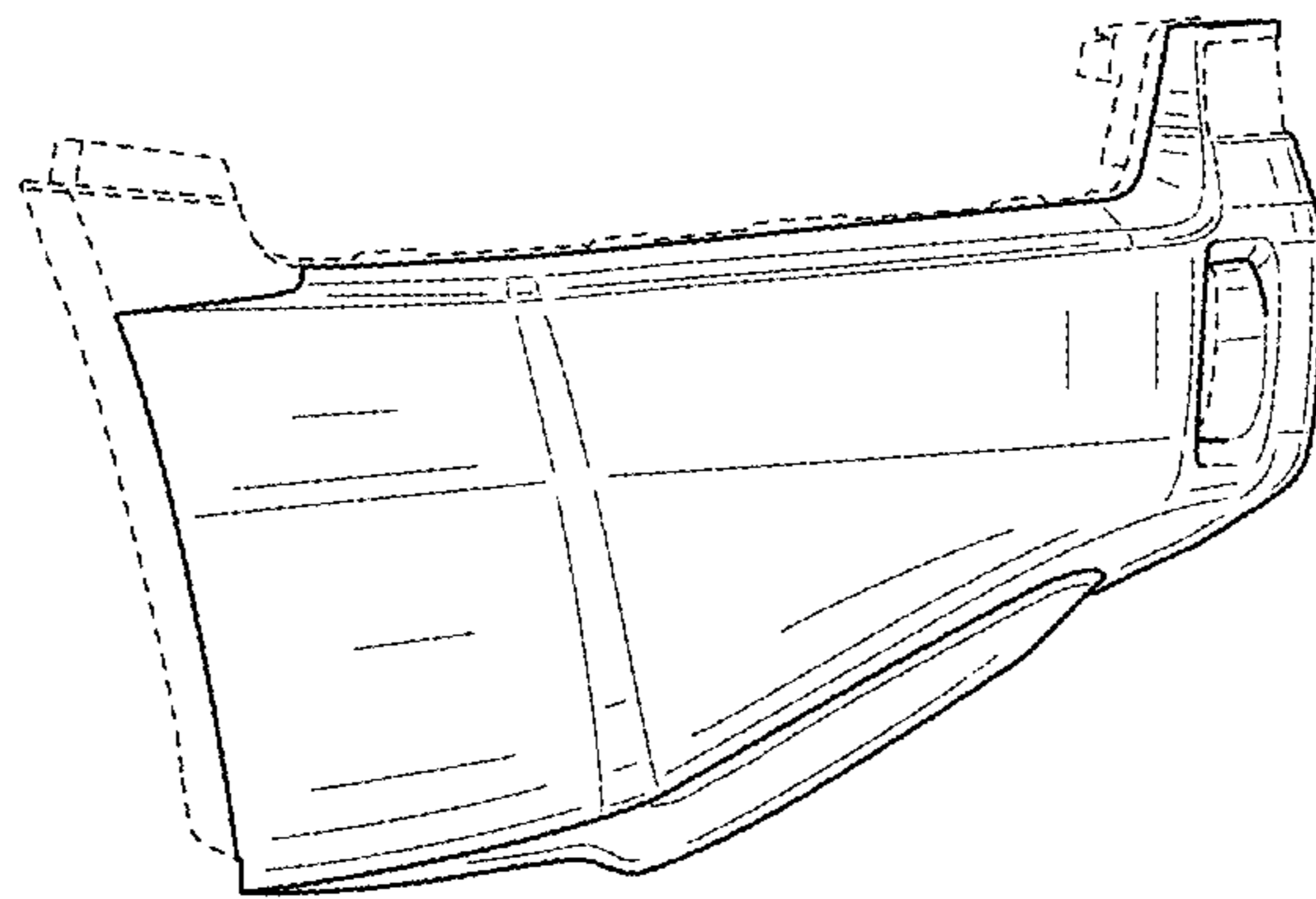


FIG. 3



**FIG. 4**

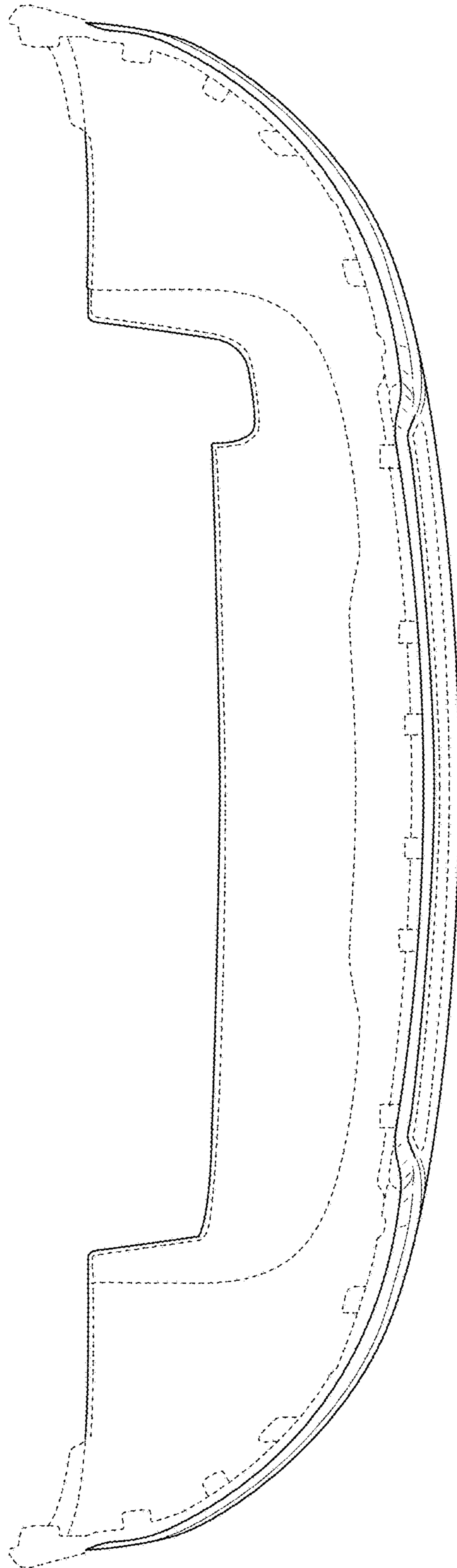


FIG. 5

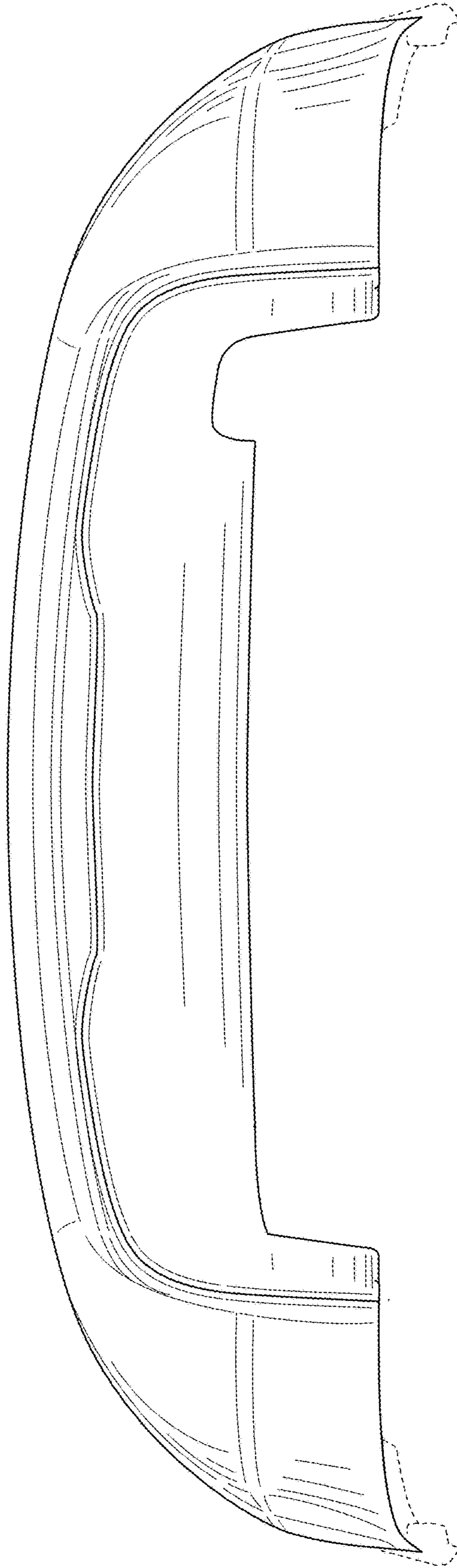


FIG. 6