



US00D807256S

(12) **United States Design Patent**
Piscitelli et al.

(10) **Patent No.:** **US D807,256 S**

(45) **Date of Patent:** **** Jan. 9, 2018**

- (54) **VEHICLE FRONT BUMPER**
- (71) Applicants: **Chris Piscitelli**, West Bloomfield, MI (US); **Vincent J. Galante**, Lake Orion, MI (US)
- (72) Inventors: **Chris Piscitelli**, West Bloomfield, MI (US); **Vincent J. Galante**, Lake Orion, MI (US)
- (73) Assignee: **FCA US LLC**, Auburn Hills, MI (US)
- (**) Term: **15 Years**
- (21) Appl. No.: **29/594,854**
- (22) Filed: **Feb. 23, 2017**

Related U.S. Application Data

- (63) Continuation-in-part of application No. 29/568,731, filed on Jun. 21, 2016.
- (51) **LOC (11) Cl.** **12-16**
- (52) **U.S. Cl.**
USPC **D12/169**
- (58) **Field of Classification Search**
USPC D12/169, 216, 90-92, 86, 171, 196, 163;
293/102, 113, 115, 117, 120; 296/180.1,
296/180.2
CPC B60R 19/02; B60R 19/04; B62D 25/08
See application file for complete search history.

(56) **References Cited**

U.S. PATENT DOCUMENTS

- D696,168 S * 12/2013 Ito D12/169
- D698,712 S * 2/2014 Sato D12/169
- D699,167 S * 2/2014 Sato D12/169

- D705,139 S * 5/2014 Jevremovic D12/169
- D715,708 S * 10/2014 Mays D12/169
- D718,678 S * 12/2014 Ishizuka D12/169
- D718,680 S * 12/2014 Galante D12/169
- D721,306 S * 1/2015 George D12/169
- D721,625 S * 1/2015 George D12/169
- D725,009 S * 3/2015 Hirai D12/169
- D725,010 S * 3/2015 Takei D12/169
- D733,624 S * 7/2015 Morikawa D12/169
- D735,097 S * 7/2015 Nissl D12/169
- D740,186 S * 10/2015 Gunnarson D12/169
- D749,473 S * 2/2016 Lee D12/169
- D763,746 S * 8/2016 Tsutamori D12/169
- D765,567 S * 9/2016 De Bono D12/169
- D771,535 S * 11/2016 Wolff D12/169
- D784,868 S * 4/2017 Yamamoto D12/169

* cited by examiner

Primary Examiner — Melody N Brown

(74) *Attorney, Agent, or Firm* — Ralph E. Smith

(57) **CLAIM**

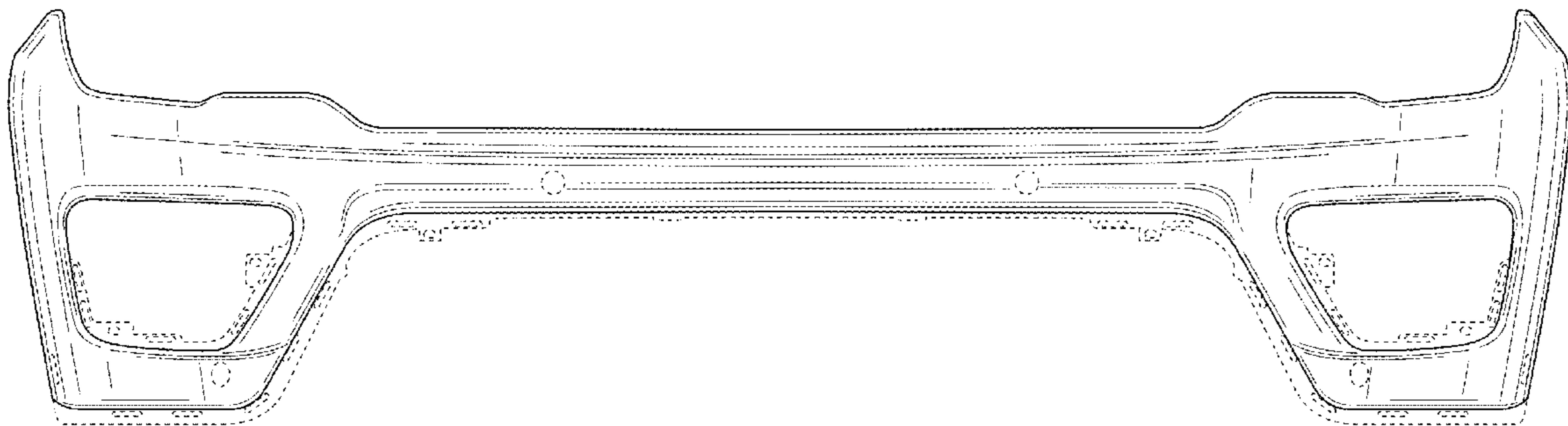
The ornamental design for a vehicle front bumper, as shown and described.

DESCRIPTION

FIG. 1 is a front perspective view of a vehicle front bumper showing our new design;
 FIG. 2 is a front view thereof;
 FIG. 3 is a rear view thereof;
 FIG. 4 is a top view thereof;
 FIG. 5 is a bottom view thereof;
 FIG. 6 is a left side view thereof; and,
 FIG. 7 is a right side view.

It will be understood that the broken lines shown in the drawings illustrate portions of the vehicle front bumper that form no part of claimed design.

1 Claim, 6 Drawing Sheets



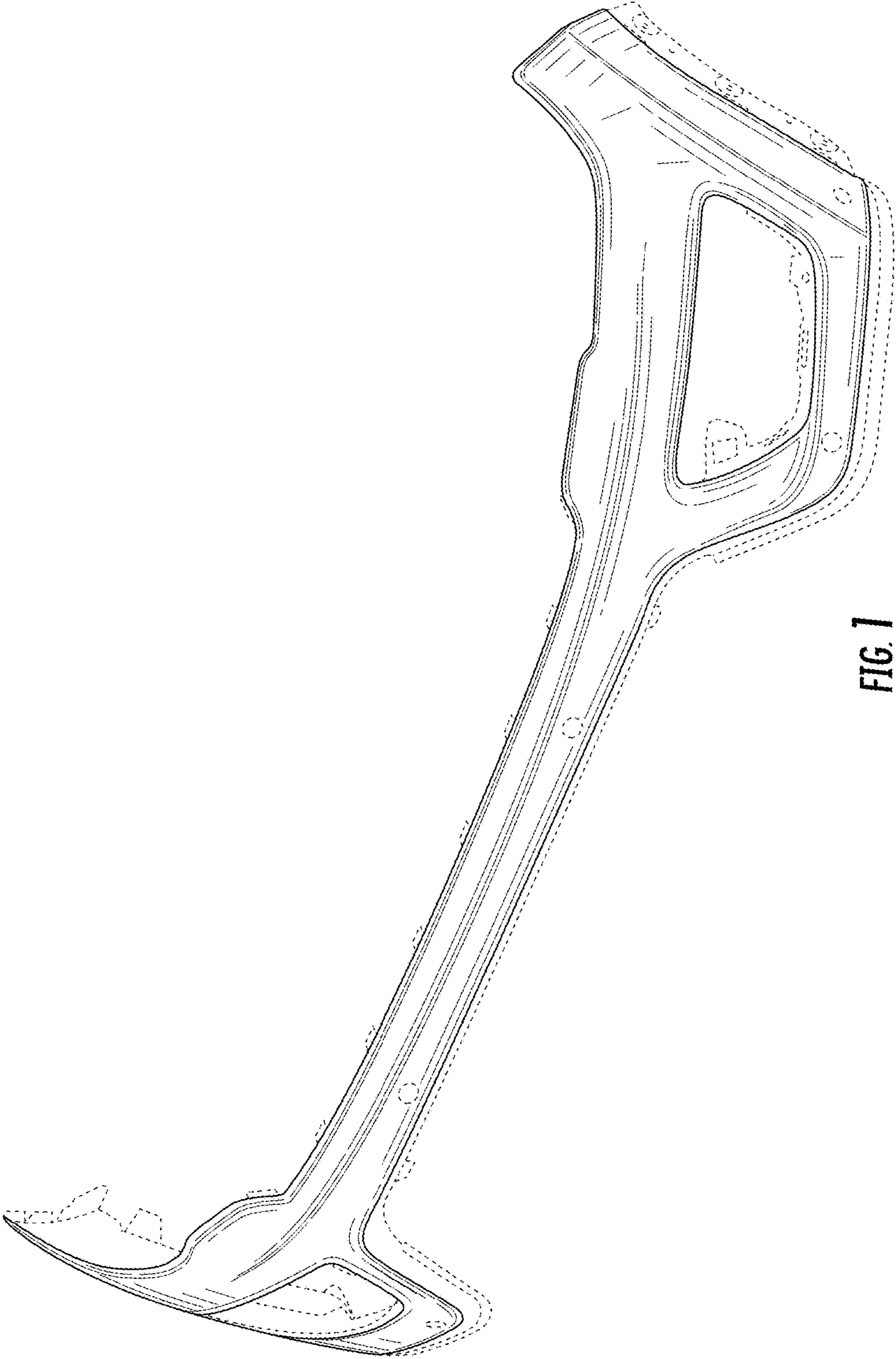


FIG. 1

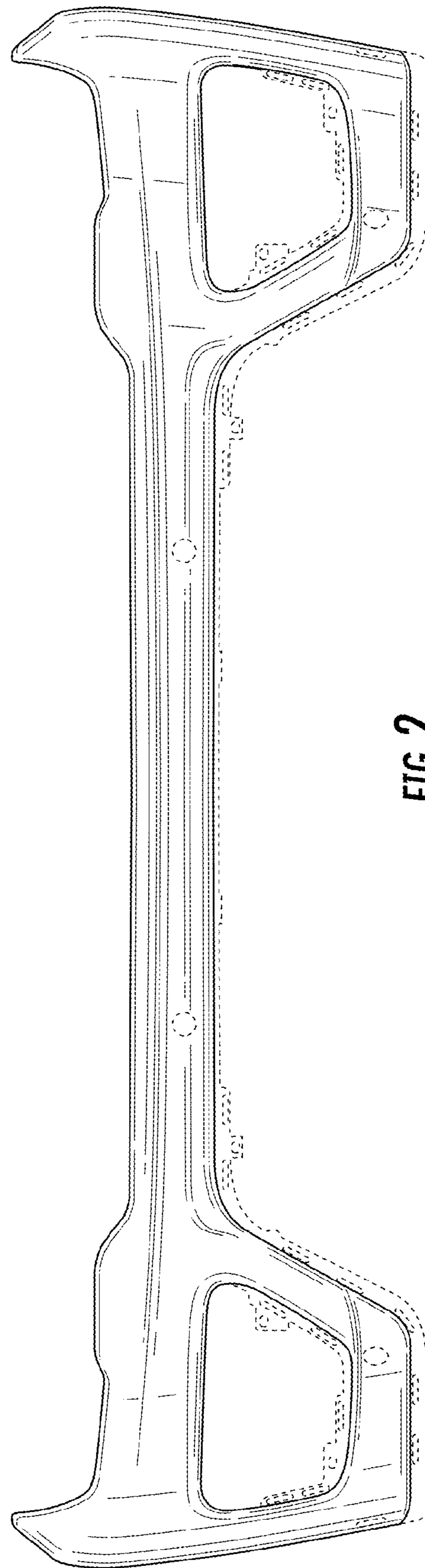


FIG. 2

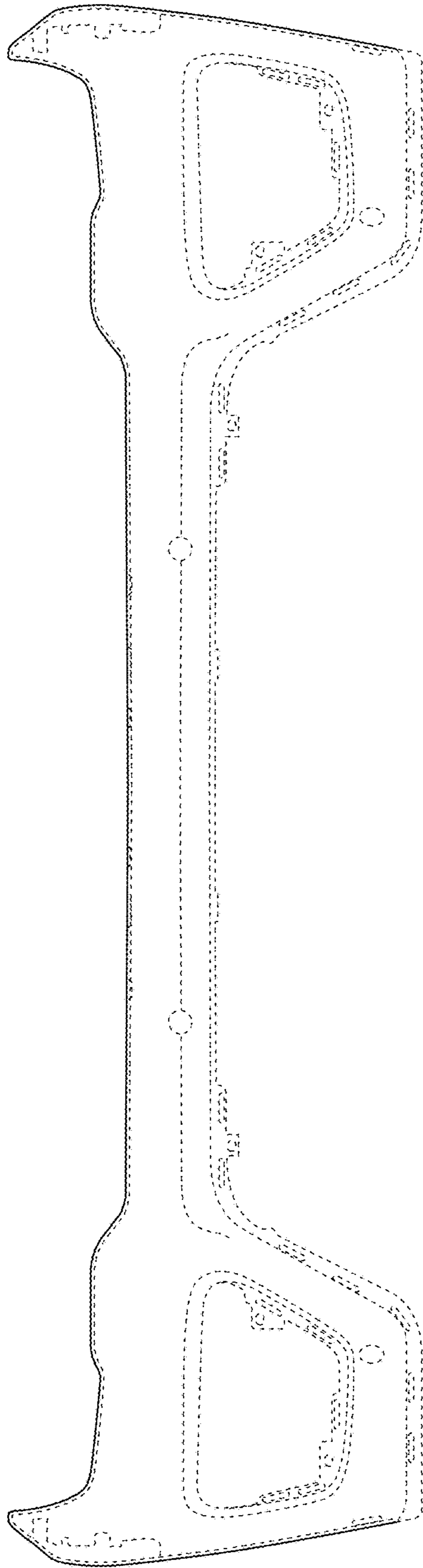


FIG. 3

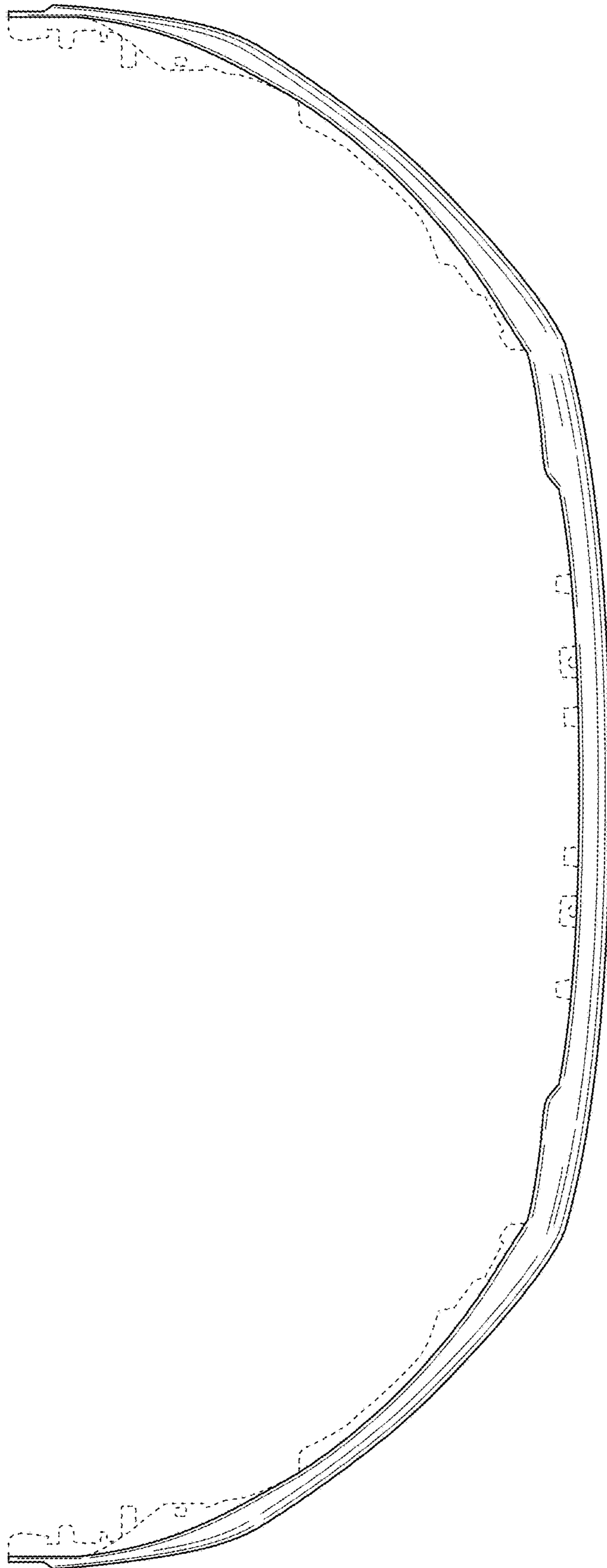


FIG. 4

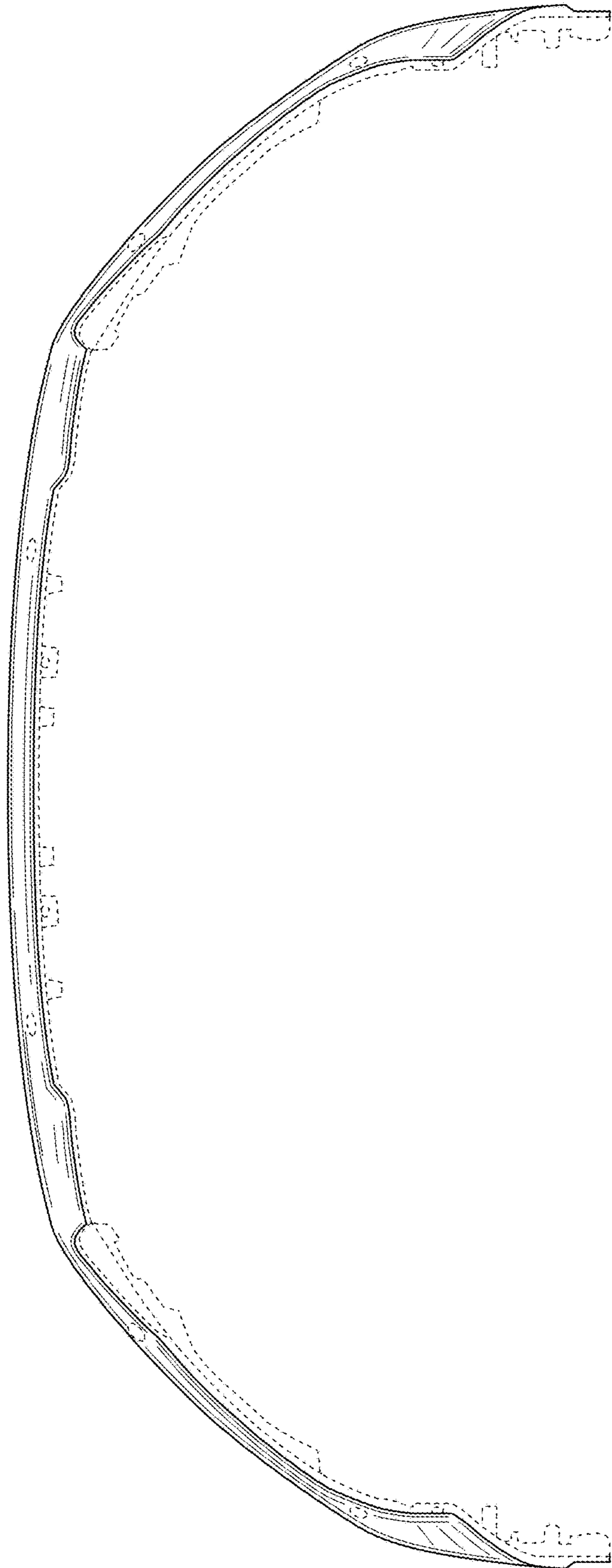


FIG. 5

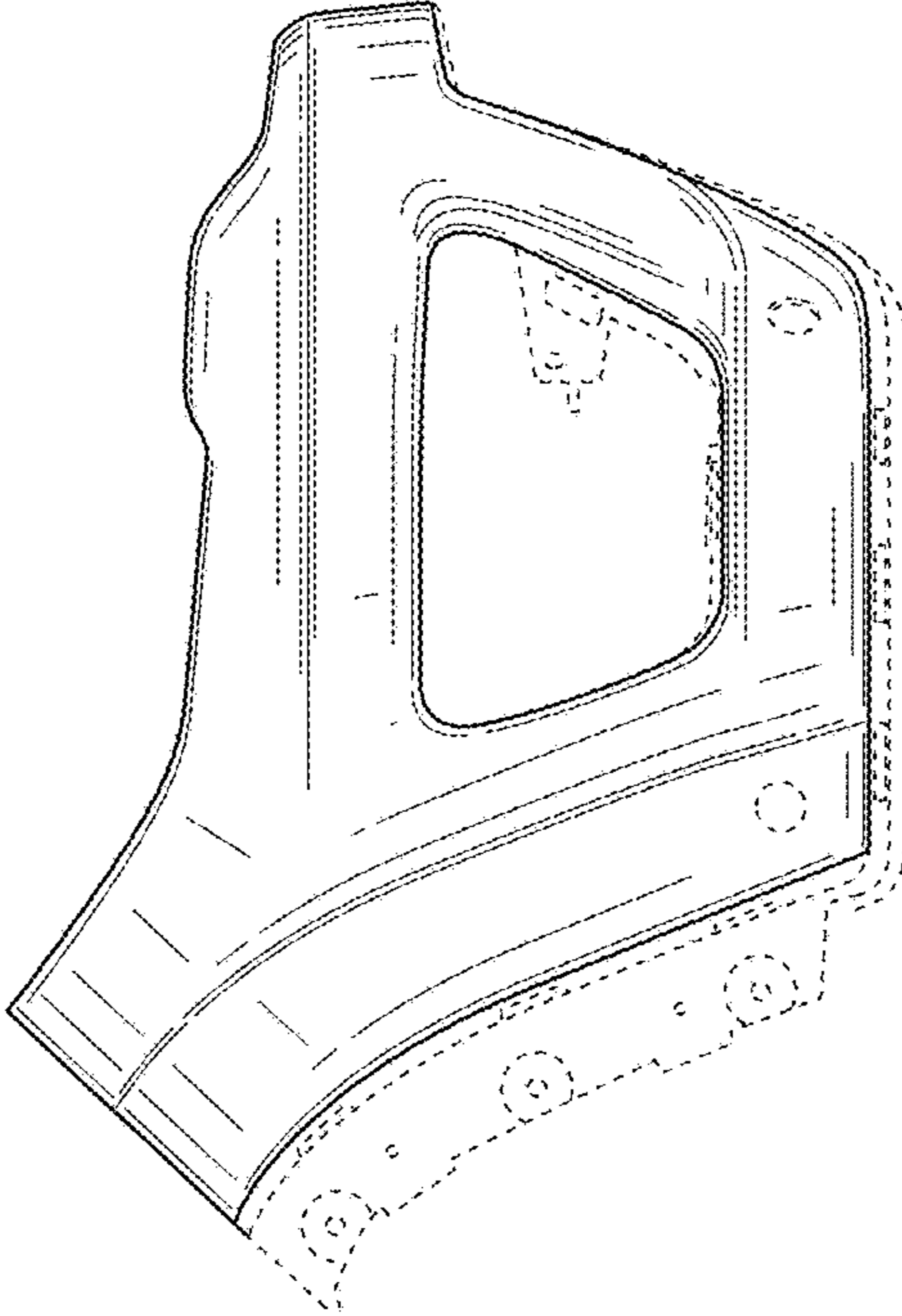


FIG. 7

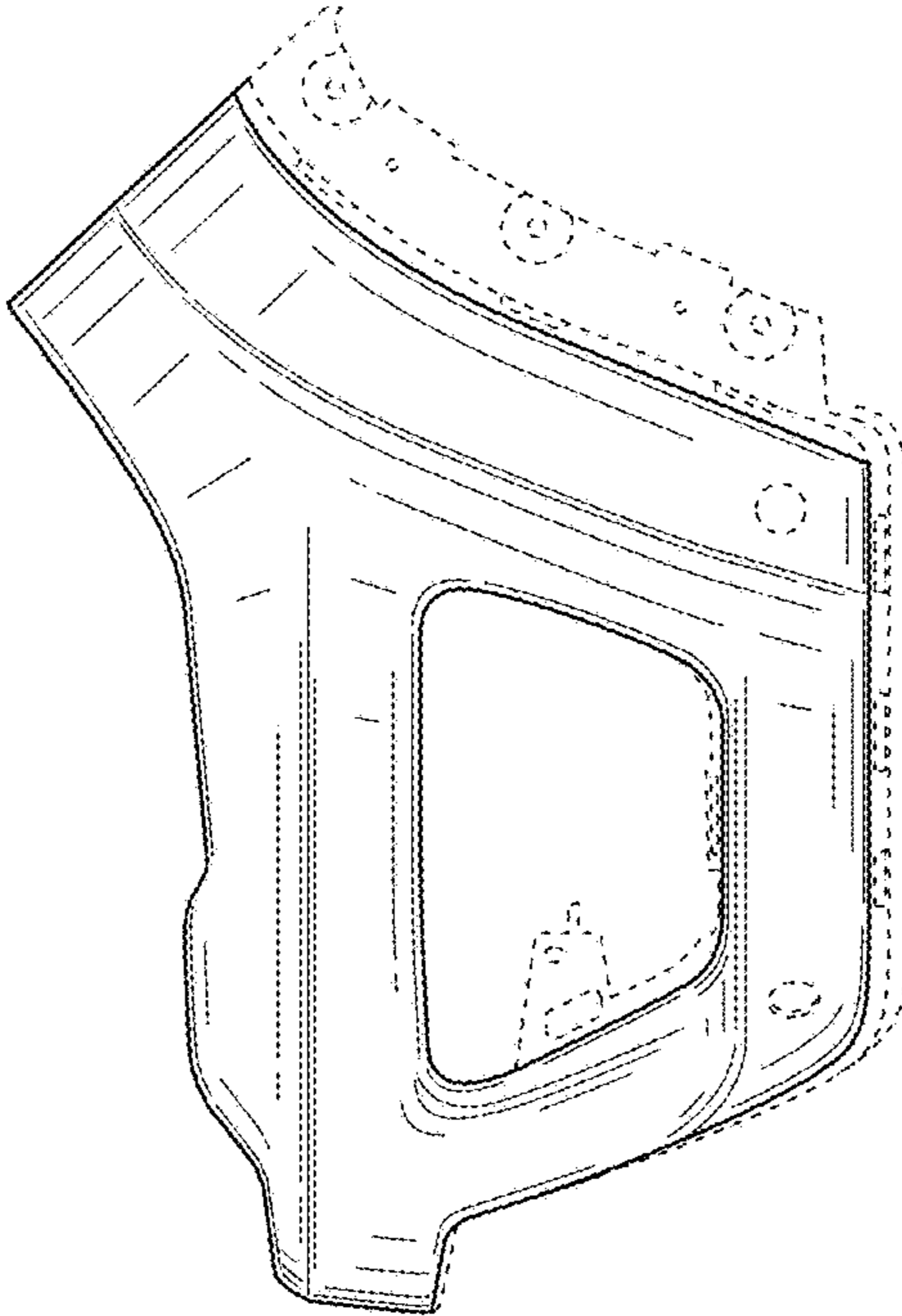


FIG. 6