



US00D807254S

(12) **United States Design Patent** (10) **Patent No.:** **US D807,254 S**
Piscitelli et al. (45) **Date of Patent:** **** Jan. 9, 2018**

(54) **VEHICLE LOWER REAR BUMPER**

(56) **References Cited**

(71) Applicants: **Chris Piscitelli**, West Bloomfield, MI (US); **Vincent J. Galante**, Lake Orion, MI (US); **Brian H. Nielander**, Royal Oak, MI (US)

U.S. PATENT DOCUMENTS

D466,445 S *	12/2002	Stolz	D12/91
D485,210 S *	1/2004	Sinkwitz	D12/91
D700,548 S *	3/2014	Hildebrand	D12/169
D701,806 S *	4/2014	Hildebrand	D12/169
D710,268 S *	8/2014	Brzustowicz	D12/169
D712,800 S *	9/2014	Kang	D12/169
D732,444 S *	6/2015	Burki	D12/169
D732,445 S *	6/2015	Burki	D12/169

(72) Inventors: **Chris Piscitelli**, West Bloomfield, MI (US); **Vincent J. Galante**, Lake Orion, MI (US); **Brian H. Nielander**, Royal Oak, MI (US)

* cited by examiner

(73) Assignee: **FCA US LLC**, Auburn Hills, MI (US)

Primary Examiner — Melody N Brown

(**) Term: **15 Years**

(74) *Attorney, Agent, or Firm* — Ralph E. Smith

(21) Appl. No.: **29/594,850**

(57) **CLAIM**

The ornamental design for a vehicle rear lower bumper, as shown and described.

(22) Filed: **Feb. 23, 2017**

DESCRIPTION

Related U.S. Application Data

(63) Continuation-in-part of application No. 29/568,731, filed on Jun. 21, 2016.

FIG. 1 is a front perspective view of a vehicle rear lower bumper showing our new design; FIG. 2 is a front view thereof; FIG. 3 is a rear view thereof; FIG. 4 is a top view thereof; FIG. 5 is a bottom view thereof; FIG. 6 is a right side view thereof; and, FIG. 7 is a left side view. It will be understood that the broken lines shown in the drawings illustrate portions of the vehicle rear lower bumper that form no part of claimed design.

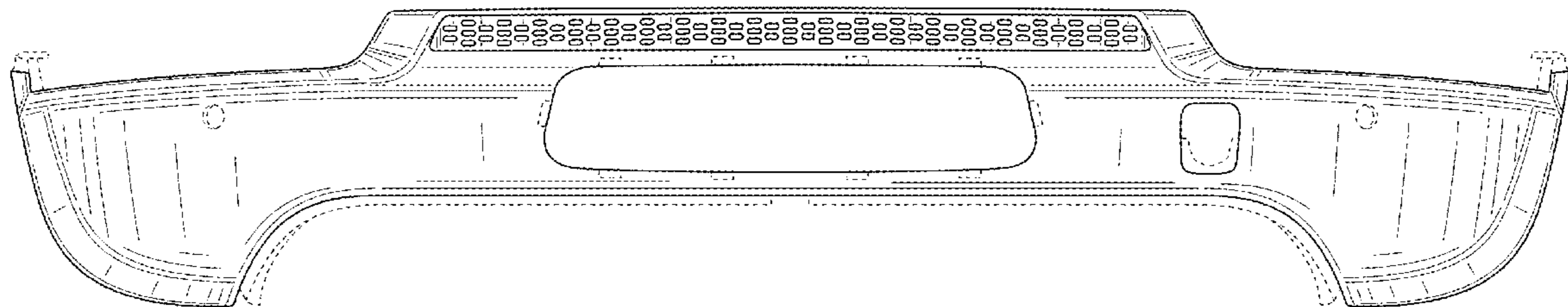
(51) **LOC (11) Cl.** **12-16**

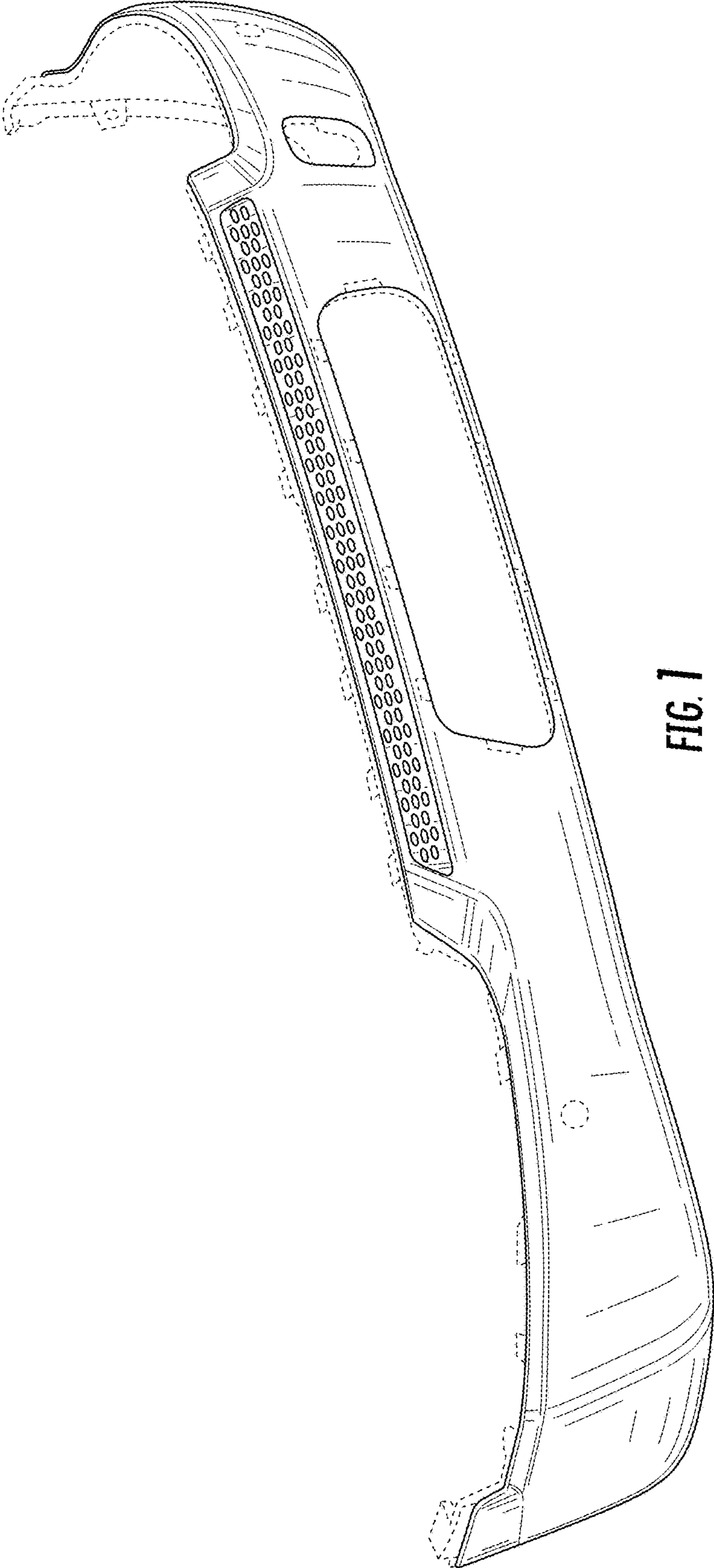
(52) **U.S. Cl.**
USPC **D12/169**

(58) **Field of Classification Search**
USPC D12/169, 216, 90-92, 86, 171, 196, 163;
293/102, 113, 115, 117, 120; 296/180.1,
296/180.2

CPC B60R 19/02; B60R 19/04; B62D 25/08
See application file for complete search history.

1 Claim, 6 Drawing Sheets





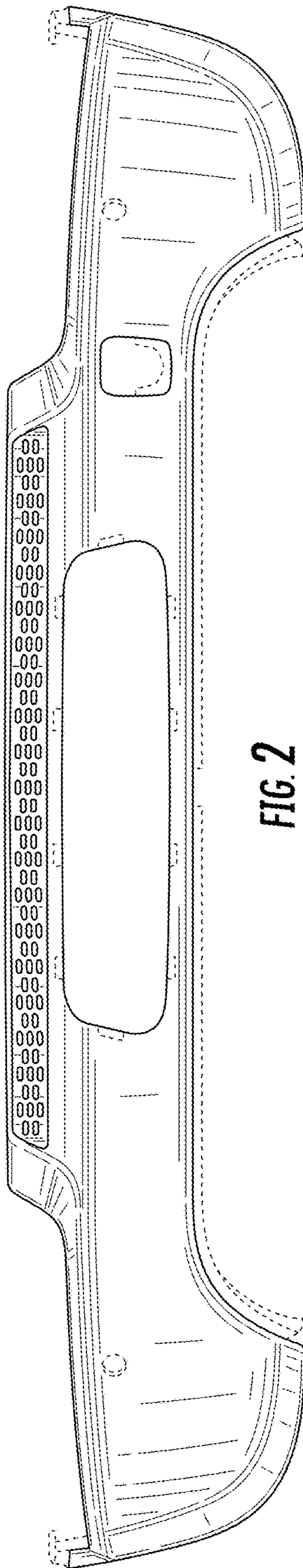


FIG. 2

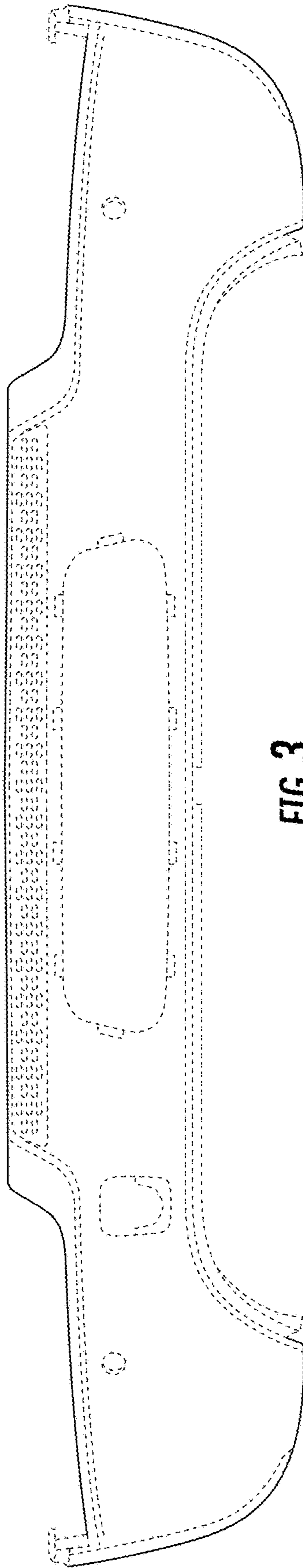


FIG. 3

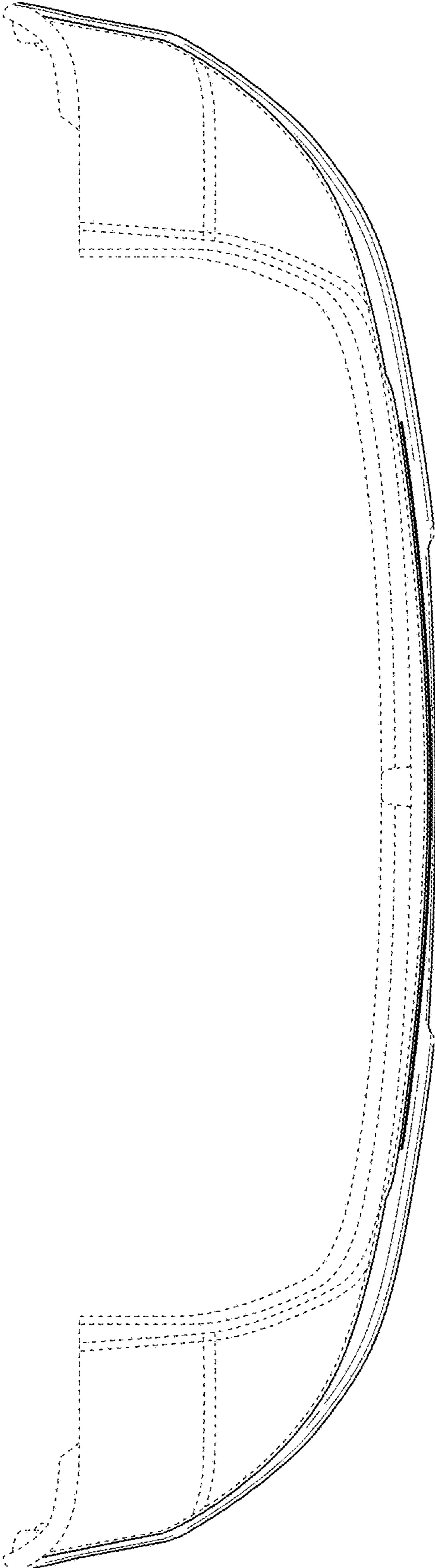


FIG. 4

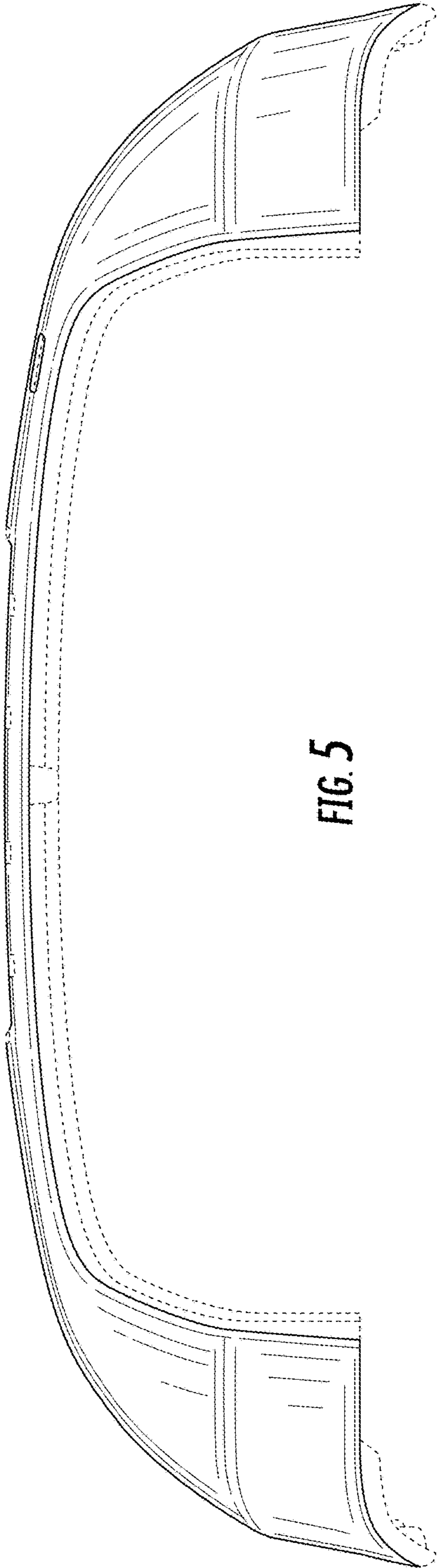


FIG. 5

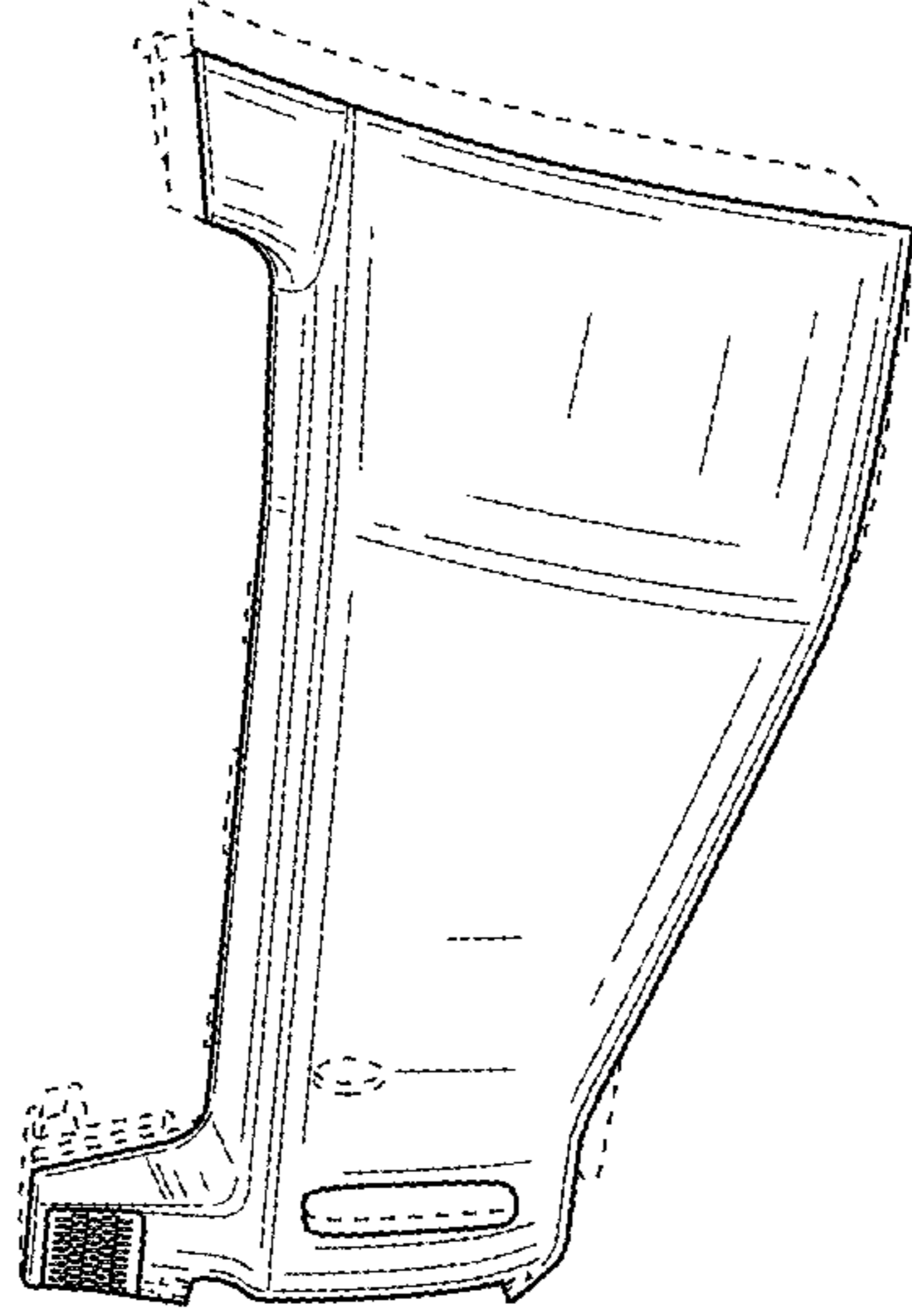


FIG. 7

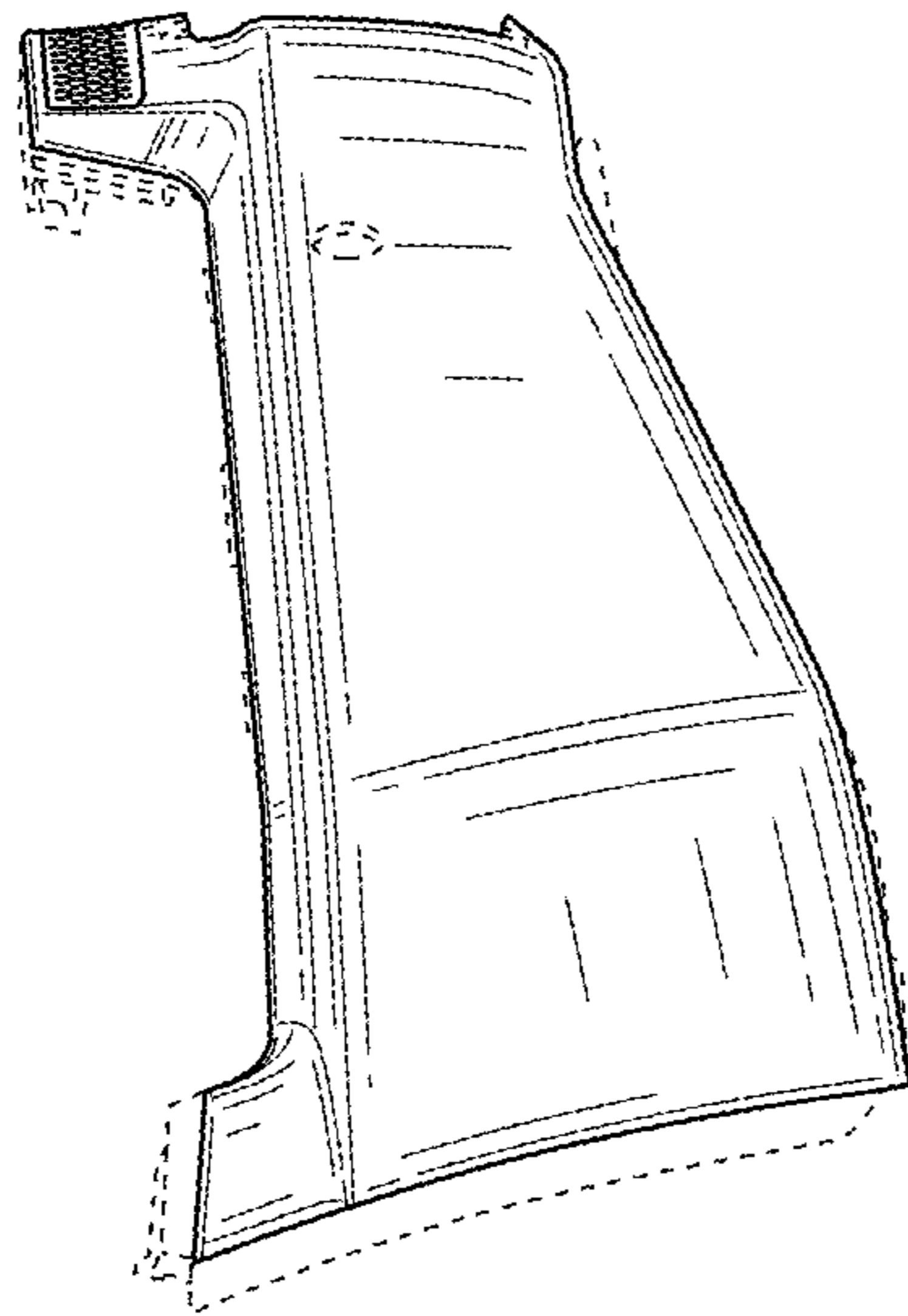


FIG. 6