



US00D807252S

(12) **United States Design Patent**  
**Piscitelli et al.**

(10) **Patent No.:** **US D807,252 S**  
(45) **Date of Patent:** **\*\* Jan. 9, 2018**

(54) **VEHICLE LOWER FRONT BUMPER**

(71) Applicants: **Chris Piscitelli**, West Bloomfield, MI (US); **Vincent J. Galante**, Lake Orion, MI (US); **Brian H. Nielander**, Royal Oak, MI (US)

(72) Inventors: **Chris Piscitelli**, West Bloomfield, MI (US); **Vincent J. Galante**, Lake Orion, MI (US); **Brian H. Nielander**, Royal Oak, MI (US)

(73) Assignee: **FCA US LLC**, Auburn Hills, MI (US)

(\*\*) Term: **15 Years**

(21) Appl. No.: **29/594,763**

(22) Filed: **Feb. 22, 2017**

**Related U.S. Application Data**

(63) Continuation-in-part of application No. 29/568,731, filed on Jun. 21, 2016.

(51) **LOC (11) Cl.** ..... **12-16**

(52) **U.S. Cl.**  
USPC ..... **D12/169**

(58) **Field of Classification Search**  
USPC .... D12/169, 216, 90-92, 86, 171, 196, 163;  
293/102, 113, 115, 117, 120; 296/180.1,  
296/180.2  
CPC ..... B60R 19/02; B60R 19/04; B62D 25/08  
See application file for complete search history.

(56) **References Cited**

U.S. PATENT DOCUMENTS

D701,801 S *	4/2014	Campbell	.....	D12/169
D731,371 S *	6/2015	Morikawa	.....	D12/169
D749,472 S *	2/2016	Lee	.....	D12/169
D771,533 S *	11/2016	Kapitonov	.....	D12/169

\* cited by examiner

*Primary Examiner* — Melody N Brown

(74) *Attorney, Agent, or Firm* — Ralph E. Smith

(57) **CLAIM**

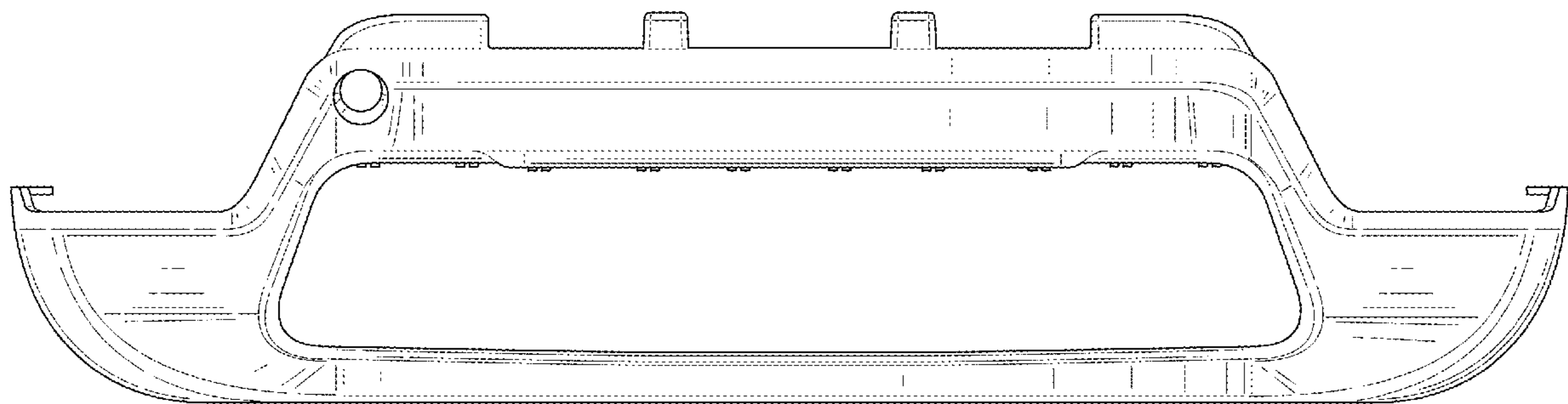
The ornamental design for a vehicle lower front bumper, as shown and described.

**DESCRIPTION**

FIG. 1 is a front perspective view of a vehicle lower front bumper showing our new design; FIG. 2 is a front view thereof; FIG. 3 is a rear view thereof; FIG. 4 is a side view thereof; FIG. 5 is a top view thereof; and, FIG. 6 is a bottom view.

It will be understood that the broken lines shown in the drawings illustrate portions of the vehicle lower front bumper that form no part of claimed design.

**1 Claim, 6 Drawing Sheets**



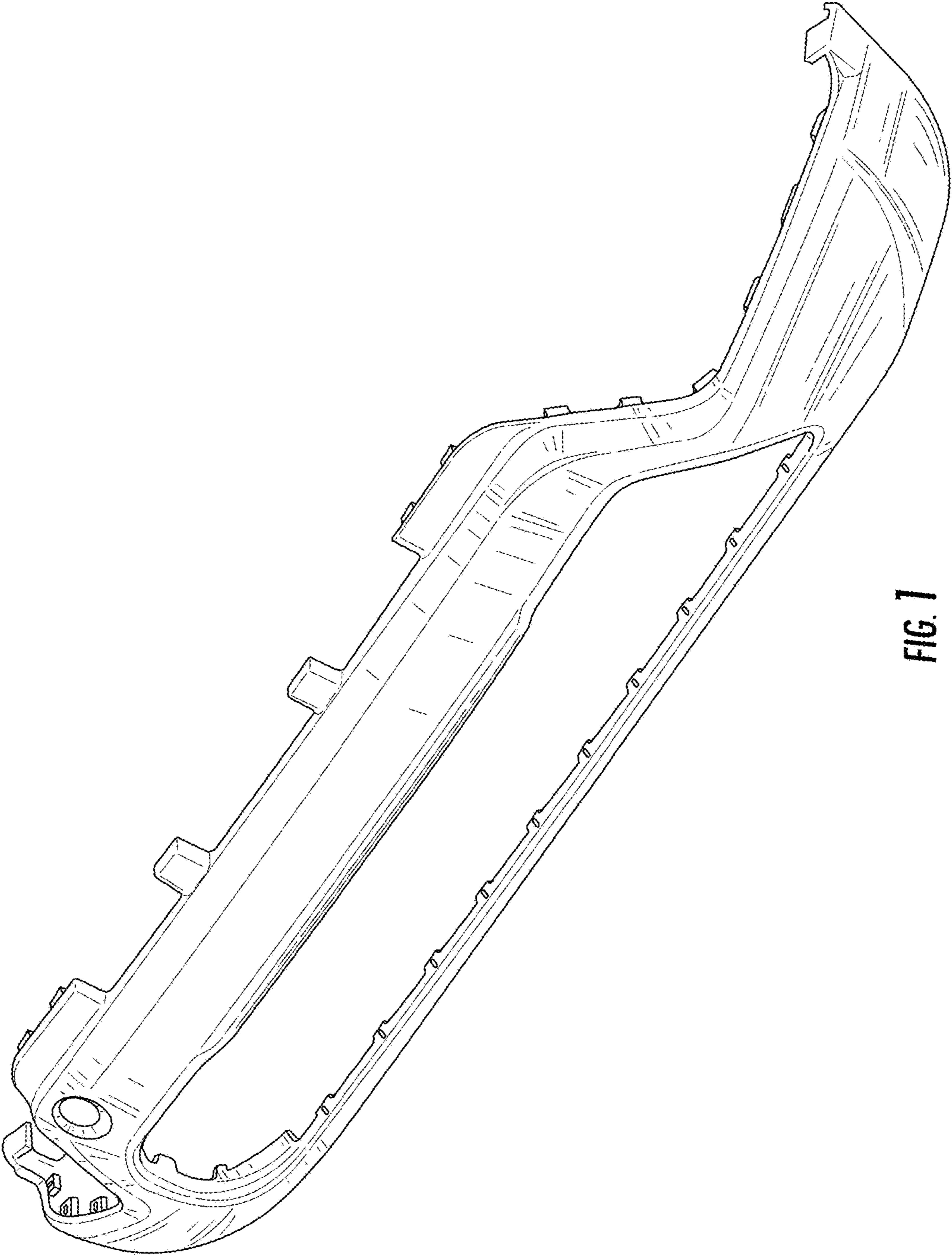


FIG. 1

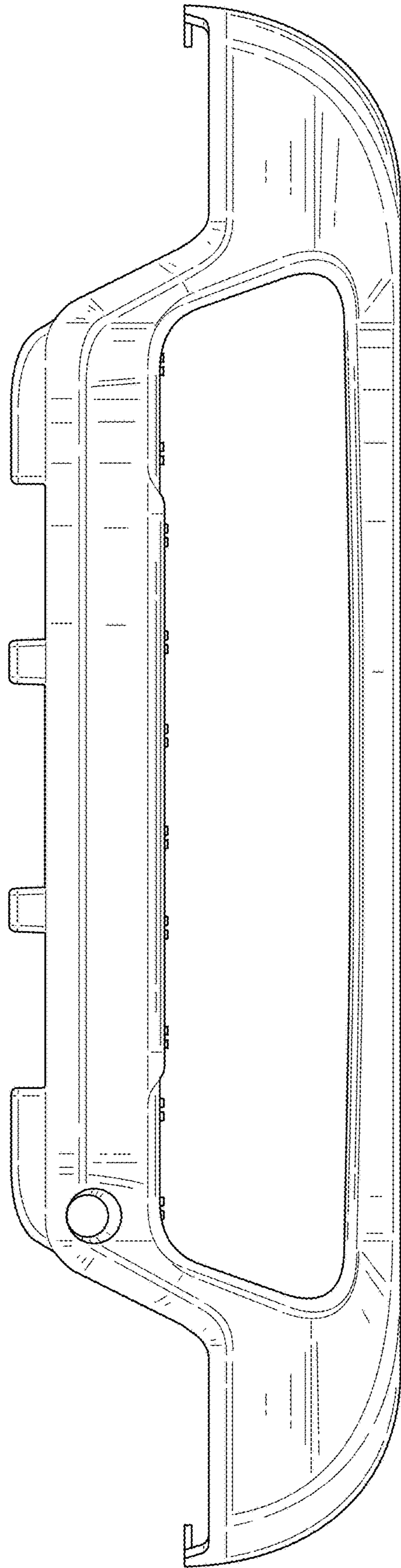


FIG. 2

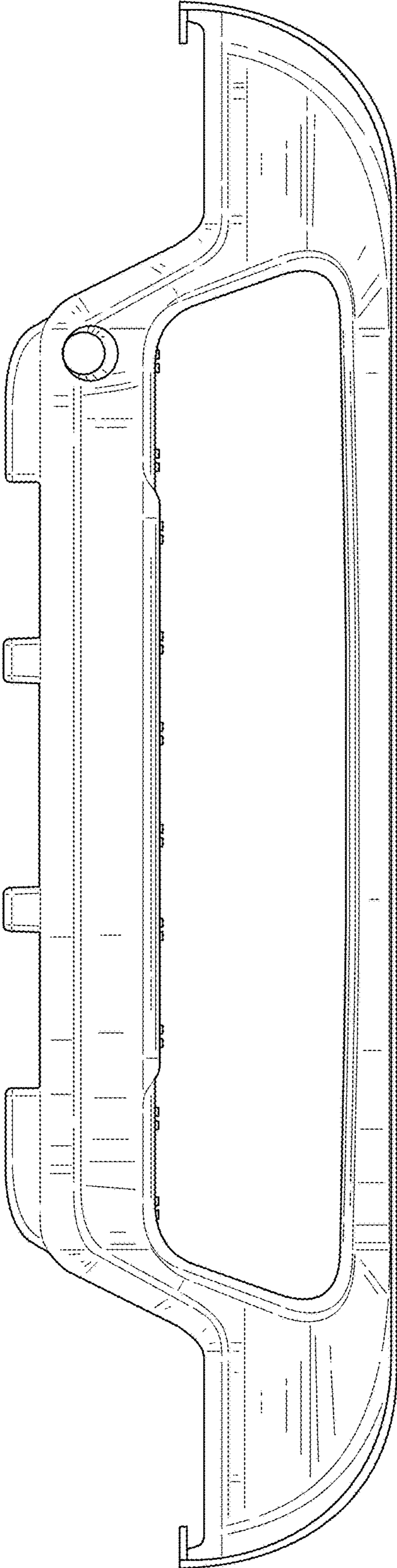


FIG. 3

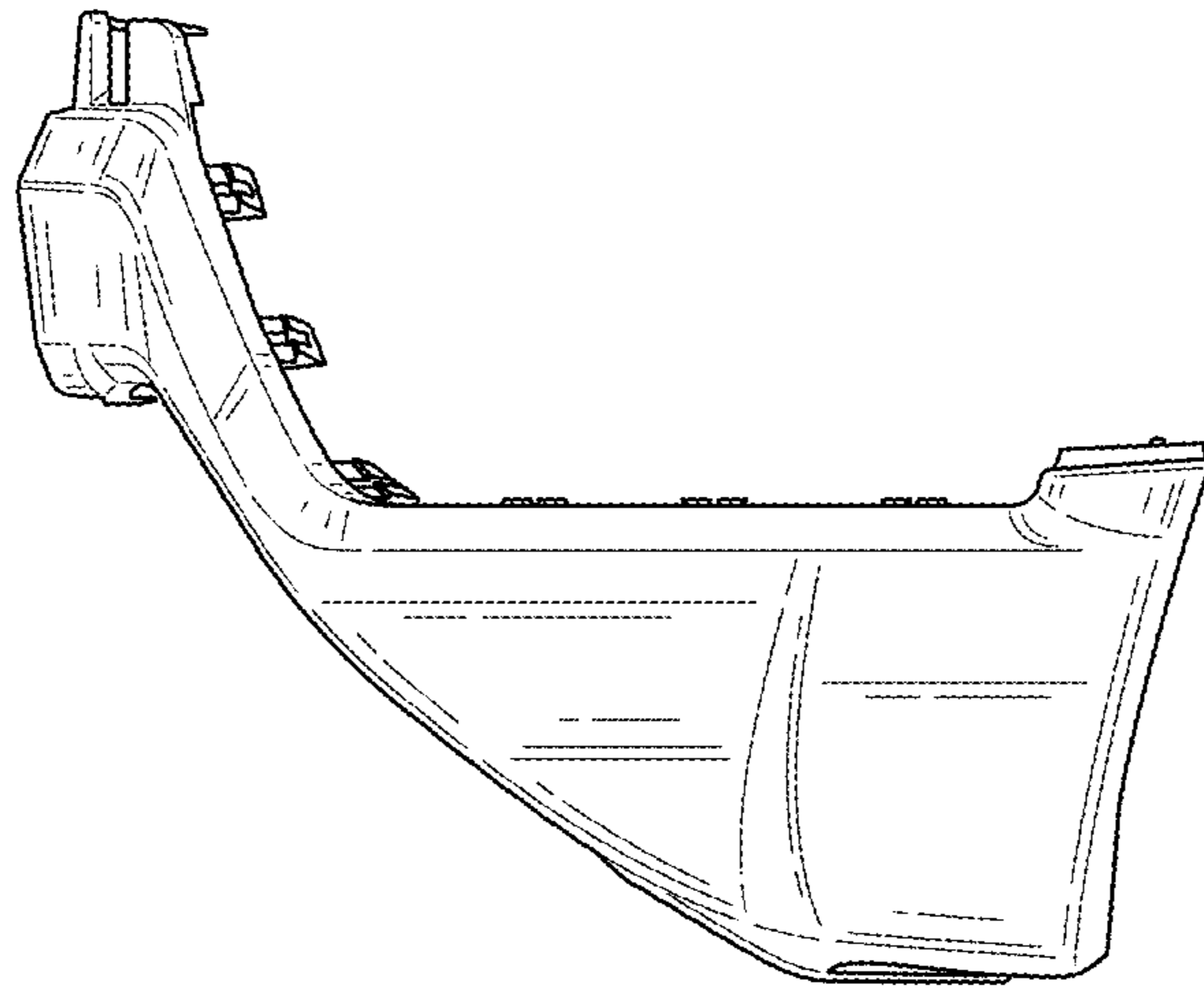


FIG. 4



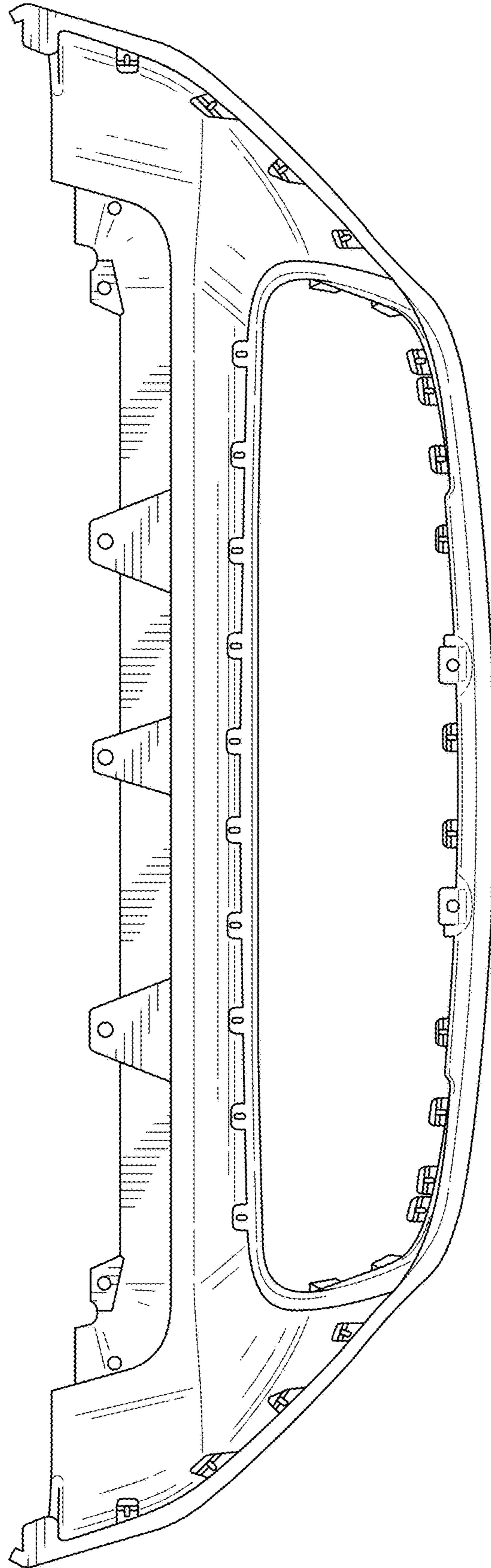


FIG. 5

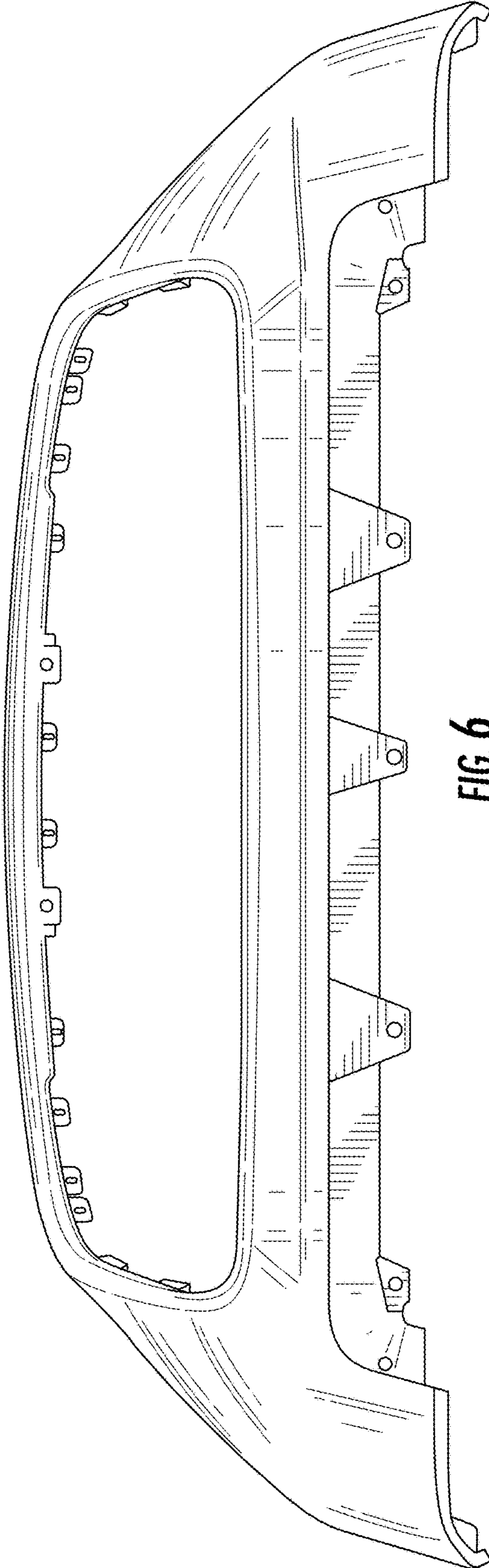


FIG. 6