

US00D807251S

(12) **United States Design Patent** (10) **Patent No.:** **US D807,251 S**
Piscitelli et al. (45) **Date of Patent:** **** Jan. 9, 2018**

(54) **VEHICLE LOWER FRONT BUMPER VALANCE**

(56) **References Cited**

U.S. PATENT DOCUMENTS

(71) Applicants: **Chris Piscitelli**, West Bloomfield, MI (US); **Vincent J. Galante**, Lake Orion, MI (US); **Brian H. Nielander**, Royal Oak, MI (US)

D567,726 S * 4/2008 Spearman-Oxx D12/169
D664,903 S * 8/2012 Platto D12/169
D670,215 S * 11/2012 Warren D12/169
D793,924 S * 8/2017 Sagawa D12/169

* cited by examiner

(72) Inventors: **Chris Piscitelli**, West Bloomfield, MI (US); **Vincent J. Galante**, Lake Orion, MI (US); **Brian H. Nielander**, Royal Oak, MI (US)

Primary Examiner — Melody N Brown
(74) *Attorney, Agent, or Firm* — Ralph E. Smith

(73) Assignee: **FCA US LLC**, Auburn Hills, MI (US)

(57) **CLAIM**

The ornamental design for a vehicle lower front bumper valance, as shown and described.

(**) Term: **15 Years**

DESCRIPTION

(21) Appl. No.: **29/594,762**

FIG. 1 is a front perspective view of a vehicle lower front bumper valance showing our new design;
FIG. 2 is a front view thereof;
FIG. 3 is a rear view thereof;
FIG. 4 is a left side view thereof;
FIG. 5 is a right side view thereof;
FIG. 6 is a top view thereof; and,
FIG. 7 is a bottom view.

(22) Filed: **Feb. 22, 2017**

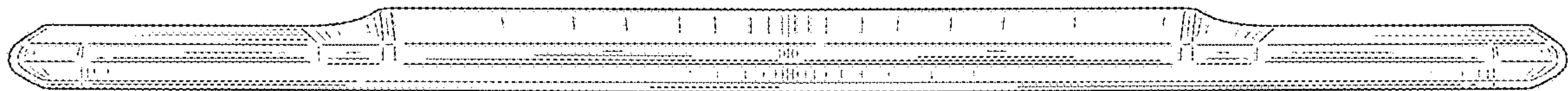
(51) **LOC (11) Cl.** **12-16**

(52) **U.S. Cl.**
USPC **D12/169**

(58) **Field of Classification Search**
USPC D12/169, 216, 90-92, 86, 171, 196, 163;
293/102, 113, 115, 117, 120; 296/180.1,
296/180.2
CPC B60R 19/02; B60R 19/04; B62D 25/08
See application file for complete search history.

It will be understood that the broken lines shown in the drawings illustrate portions of the vehicle lower front bumper valance that form no part of claimed design.

1 Claim, 4 Drawing Sheets



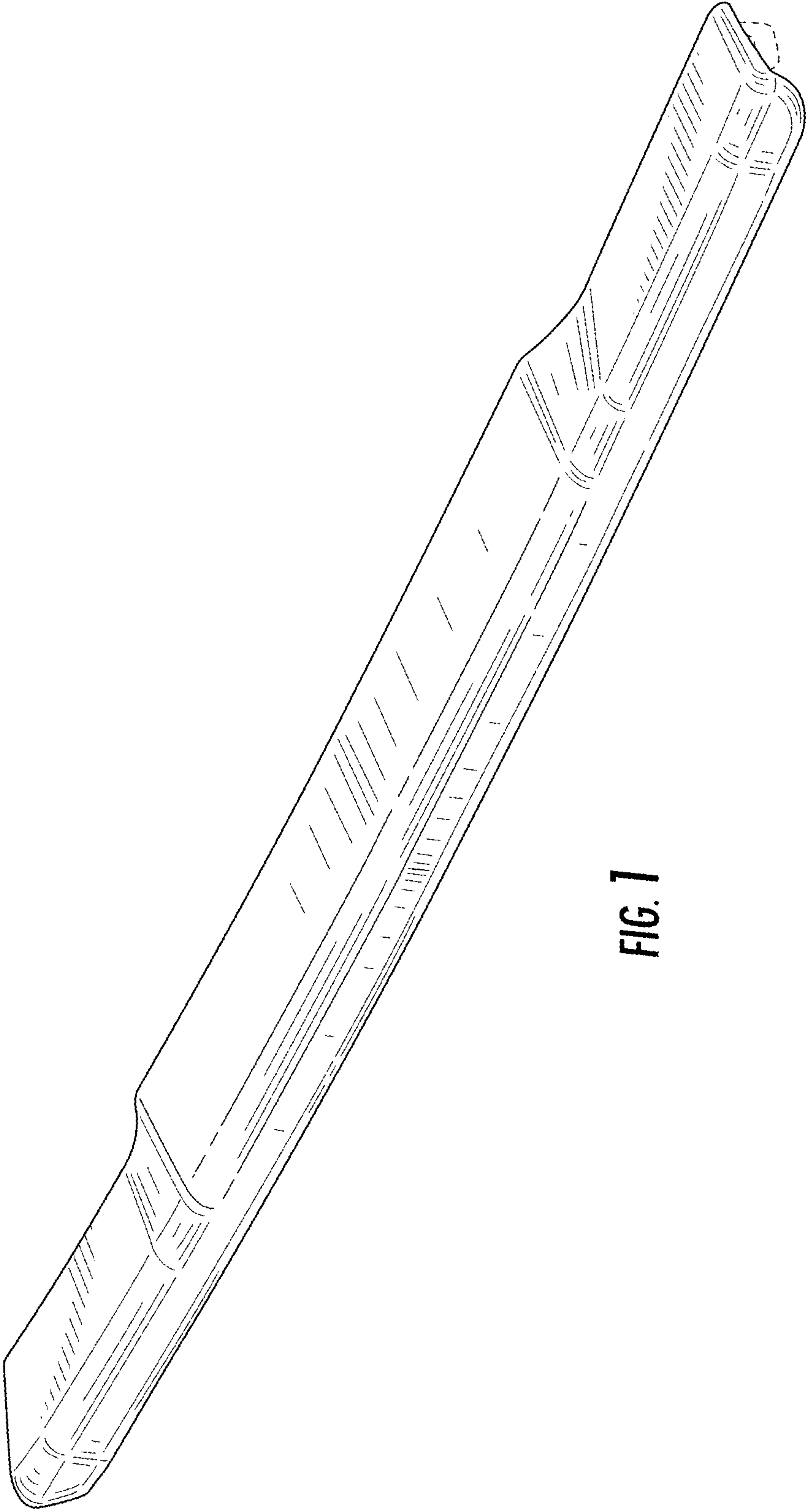


FIG. 1

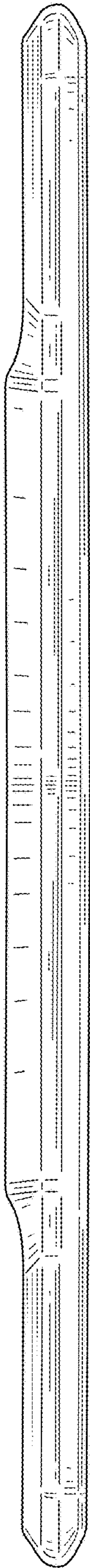


FIG. 2

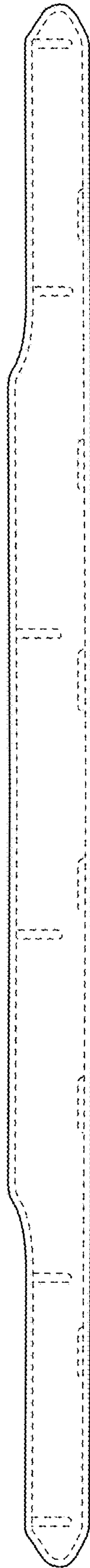


FIG. 3

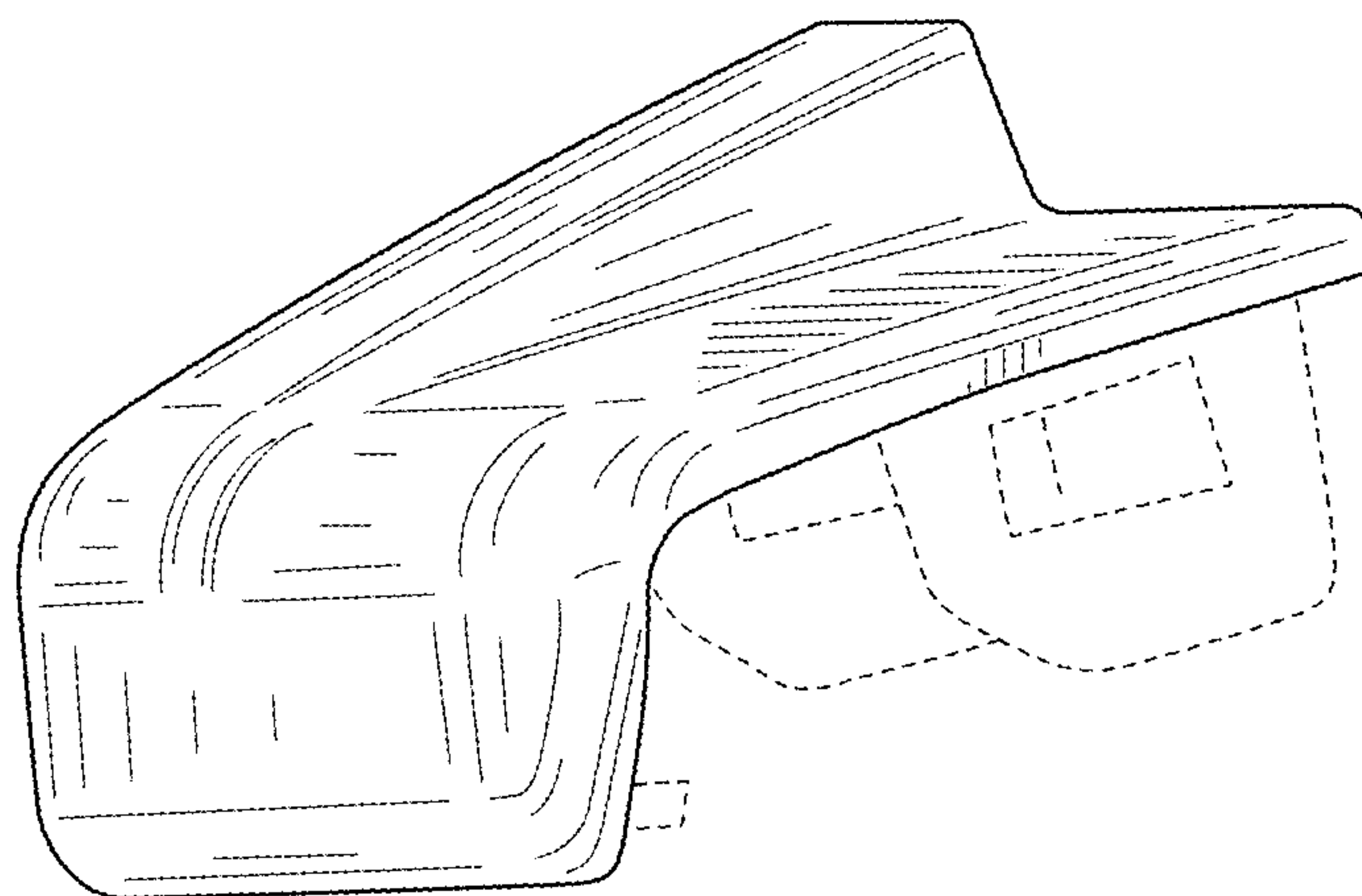


FIG. 4

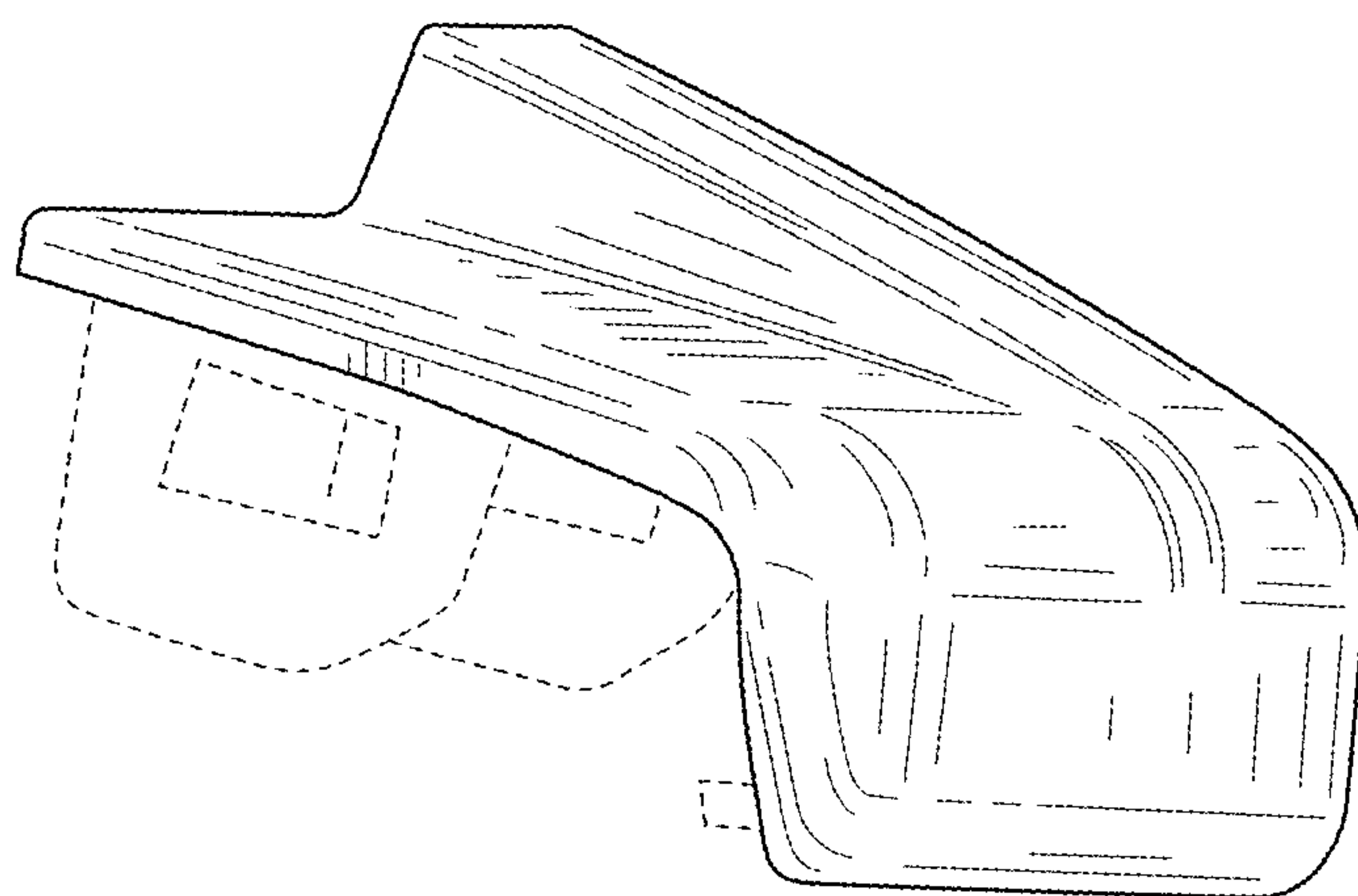


FIG. 5

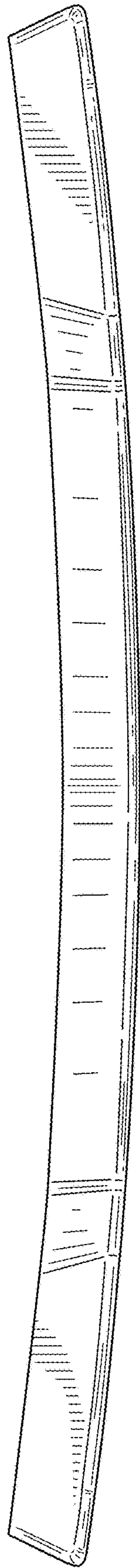


FIG. 6

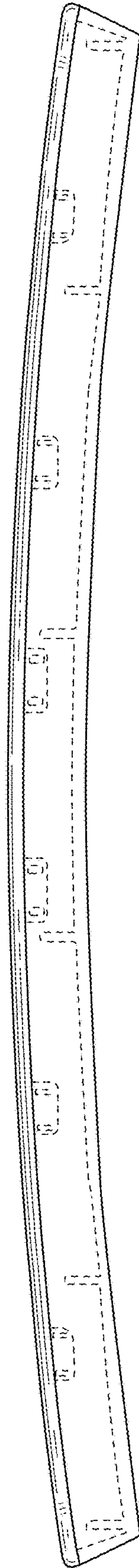


FIG. 7