



US00D807247S

(12) **United States Design Patent** (10) **Patent No.:** **US D807,247 S**
Malina et al. (45) **Date of Patent:** **** *Jan. 9, 2018**

- (54) **VEHICLE PROTECTOR**
- (71) Applicants: **Ronny Malina**, Nanuet, NY (US); **Eric Malina**, Nanuet, NY (US)
- (72) Inventors: **Ronny Malina**, Nanuet, NY (US); **Eric Malina**, Nanuet, NY (US)
- (*) Notice: This patent is subject to a terminal disclaimer.
- (**) Term: **14 Years**
- (21) Appl. No.: **29/508,871**
- (22) Filed: **Nov. 12, 2014**
- (51) **LOC (11) Cl.** **12-16**
- (52) **U.S. Cl.**
USPC **D12/167**; D12/193; D12/401
- (58) **Field of Classification Search**
USPC D12/86, 90, 91, 92, 110, 114, 163, 169, D12/171, 190, 400; D11/11, 81, 133, D11/157, 172, 211; D20/23, 24, 25, 30, D20/31, 32; 40/102, 115; 293/413, 591, 293/592; 428/31
CPC ... G09F 7/00; G09F 7/02; G06K 9/325; B60P 3/36; B60R 13/10; B60R 13/105; B60R 19/44; B60Q 1/56
See application file for complete search history.

- (56) **References Cited**
U.S. PATENT DOCUMENTS
D160,548 S * 10/1950 Sheard D12/190
D176,259 S * 12/1955 Holls D12/190

- D183,103 S * 6/1958 MacKichan D12/190
- 3,659,887 A * 5/1972 Marquette B60R 13/04 293/120
- D281,412 S * 11/1985 Barnhart D12/190
- D313,862 S * 1/1991 Gaukler D12/190
- 5,063,014 A * 11/1991 Cakmakci B29C 31/045 264/151
- D329,632 S * 9/1992 Masters D12/190
- 5,267,763 A * 12/1993 Klein B60R 13/04 248/206.5
- D386,458 S * 11/1997 Smith D12/167
- 6,318,045 B1 * 11/2001 Kress B60R 13/04 156/71
- D451,870 S * 12/2001 Hurayt D12/190
- D472,505 S * 4/2003 Hurayt D12/190
- D484,080 S * 12/2003 Yamamoto D12/190
- D613,220 S * 4/2010 Ikeda D12/190
- D660,755 S * 5/2012 Inoue D12/190

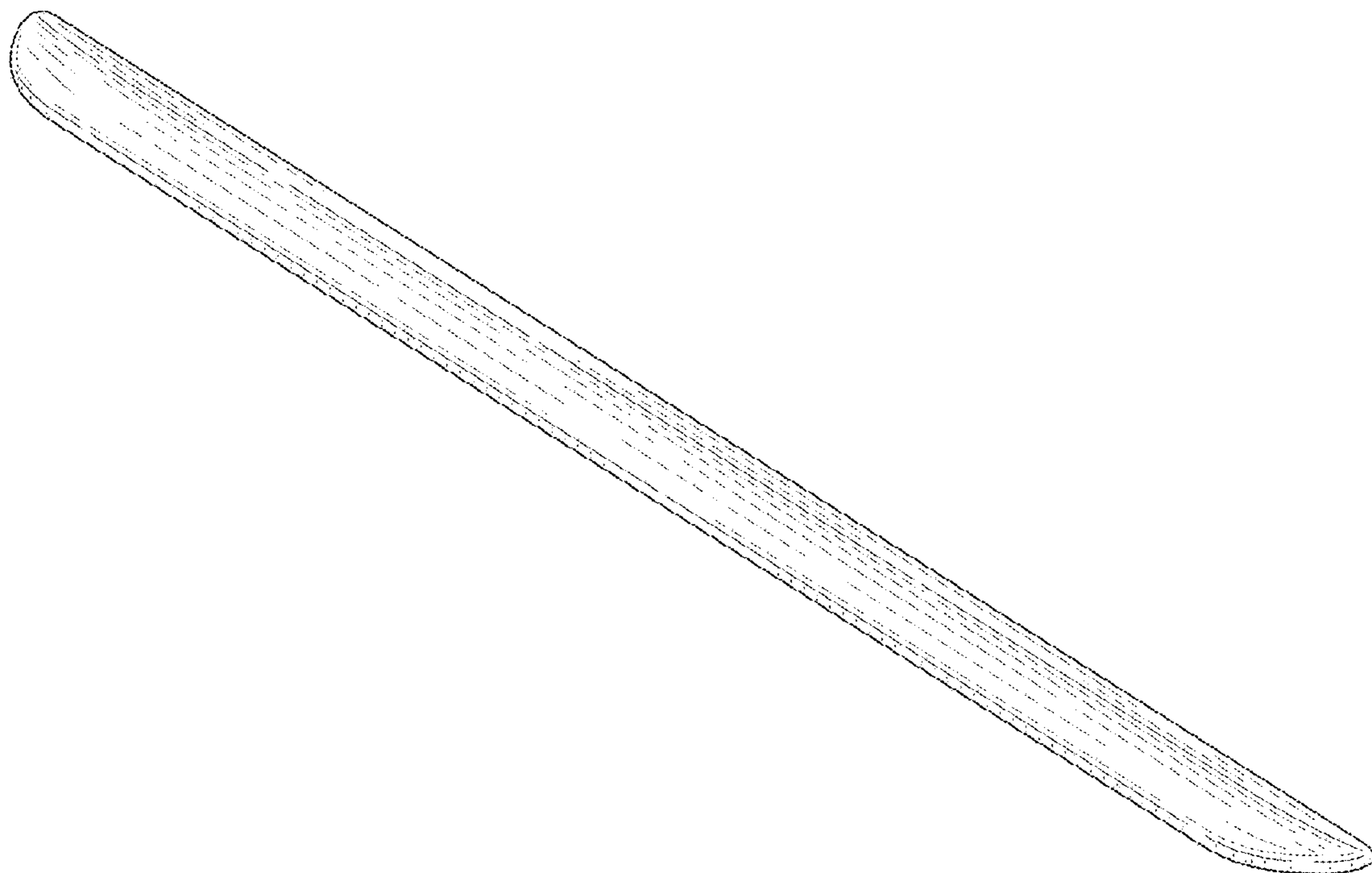
* cited by examiner

Primary Examiner — Darlington Ly
(74) *Attorney, Agent, or Firm* — Jeffrey Sonnabend; SonnabendLaw

(57) **CLAIM**
The ornamental design for a vehicle protector, as shown and described.

DESCRIPTION
FIG. 1 is a front isometric view of the vehicle protector in accordance with our new design;
FIG. 2 is a top plan view thereof;
FIG. 3 is a side elevation view thereof; and,
FIG. 4 is a front elevation view thereof.

1 Claim, 4 Drawing Sheets



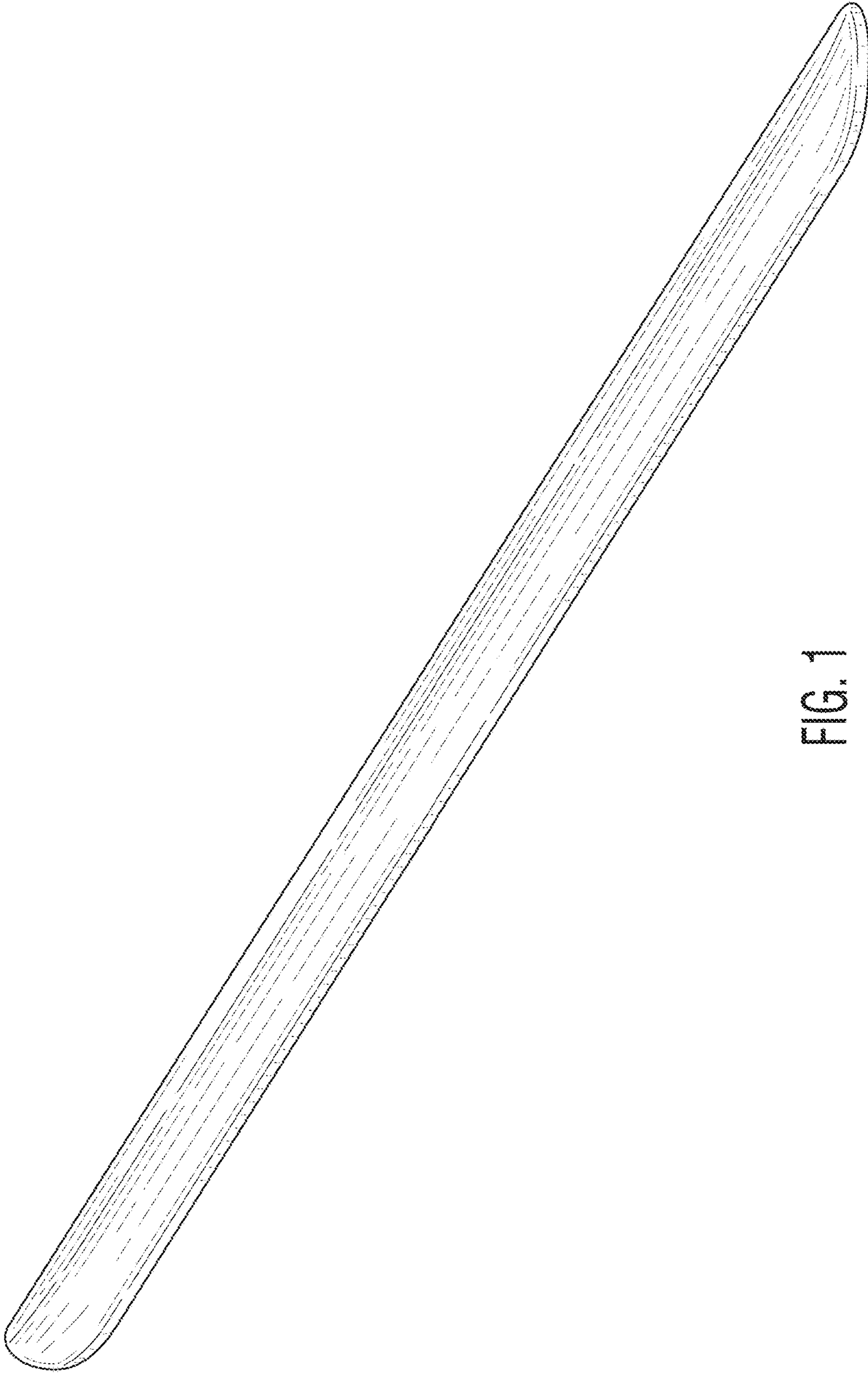


FIG. 1



FIG. 2

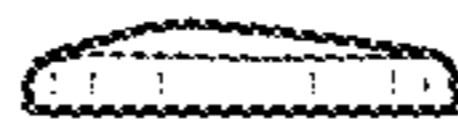


FIG. 3

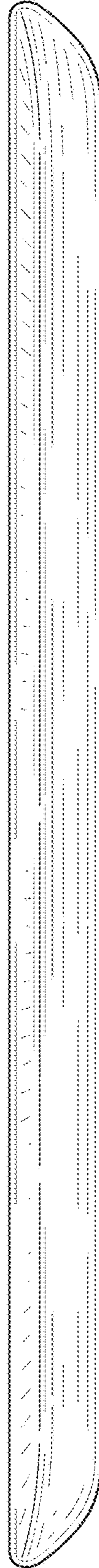


FIG. 4