



US00D807239S

(12) **United States Design Patent**
Perkins

(10) **Patent No.:** **US D807,239 S**

(45) **Date of Patent:** **** Jan. 9, 2018**

(54) **VEHICLE GRILLE INSERT ASSEMBLY**
(71) Applicant: **GM GLOBAL TECHNOLOGY OPERATIONS LLC**, Detroit, MI (US)
(72) Inventor: **Jeffrey W. Perkins**, Rochester, MI (US)
(73) Assignee: **GM Global Technology Operations LLC**, Detroit, MI (US)

(**) Term: **15 Years**

(21) Appl. No.: **29/572,080**

(22) Filed: **Jul. 25, 2016**

(51) **LOC (11) Cl.** **12-16**

(52) **U.S. Cl.**
USPC **D12/163**

(58) **Field of Classification Search**
USPC D12/86, 91, 93, 163, 164, 166, 167, 169, D12/171, 172, 173, 190, 216
CPC B62D 25/08; B60K 11/08; B60R 19/52
See application file for complete search history.

(56) **References Cited**

U.S. PATENT DOCUMENTS

- 6,328,358 B1 * 12/2001 Berweiler B60R 19/52 180/68.6
- D570,742 S 6/2008 Takagi et al.
- D584,196 S * 1/2009 Ebel D12/163
- D589,853 S * 4/2009 Saridakis D12/163
- D592,105 S 5/2009 Dean et al.
- D597,447 S 8/2009 Folden
- D600,595 S 9/2009 Nakamura et al.
- D601,925 S 10/2009 O'Donnell
- D603,755 S 11/2009 Peters
- D604,203 S 11/2009 O'Donnell
- D605,082 S 12/2009 Munson
- D605,083 S 12/2009 Manoogian, II et al.
- D605,977 S 12/2009 Zipfel et al.
- D605,978 S 12/2009 Wolff et al.

- D608,249 S 1/2010 Peters
- D608,690 S 1/2010 Folden et al.
- D608,691 S 1/2010 Zak, Jr. et al.
- D609,608 S 2/2010 Boniface et al.
- D611,387 S 3/2010 Thompson et al.
- D611,879 S 3/2010 Kim et al.
- D612,297 S 3/2010 Peters et al.
- D613,645 S 4/2010 Song et al.
- D615,458 S 5/2010 Thompson et al.
- D618,595 S 6/2010 Ware et al.
- D623,090 S 9/2010 Cox et al.
- D627,262 S 11/2010 Ikeda et al.
- D635,488 S 4/2011 Phipps
- D642,964 S * 8/2011 Miyazawa D12/163
- D644,147 S 8/2011 Suh et al.
- D644,567 S 9/2011 Kozub
- D647,011 S * 10/2011 Verhee D12/169
- D657,718 S 4/2012 Zipfel et al.
- D659,052 S 5/2012 Ware et al.
- D659,053 S 5/2012 Ware et al.

(Continued)

Primary Examiner — Susan Bennett Hattan
Assistant Examiner — Suzanne E Tisdell
(74) *Attorney, Agent, or Firm* — Reising Ethington P.C.

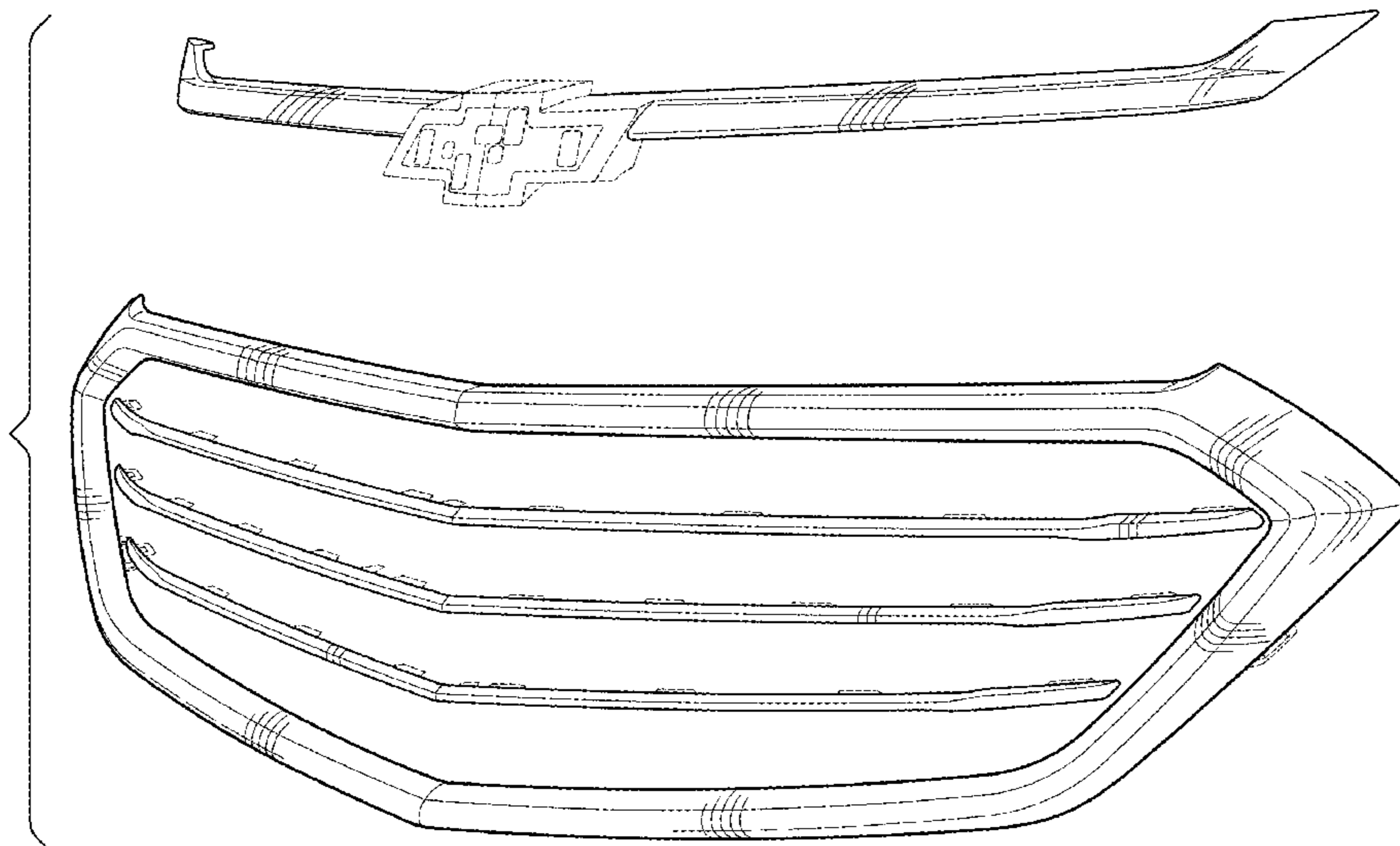
(57) **CLAIM**

The ornamental design for a vehicle grille insert assembly, as shown and described.

DESCRIPTION

FIG. 1 is a perspective view of the vehicle grille insert assembly;
FIG. 2 is a front view thereof;
FIG. 3 is a left side view thereof, where the right side view is a mirror image of the left side view; and,
FIG. 4 is a top view thereof.
The broken lines shown in the drawings depict portions of the vehicle grille insert assembly that form no part of the claimed design.

1 Claim, 3 Drawing Sheets



(56)

References Cited

U.S. PATENT DOCUMENTS

D668,182 S	10/2012	Barba Franco et al.		D744,158 S	11/2015	Willett et al.	
D668,183 S	10/2012	Smart		D745,086 S	12/2015	Finos et al.	
D668,590 S *	10/2012	Furst	D12/163	D745,719 S	12/2015	Boniface et al.	
D678,820 S	3/2013	Son et al.		D745,725 S	12/2015	McMahan et al.	
D678,821 S	3/2013	Ikeda et al.		D745,726 S	12/2015	McMahan et al.	
D679,225 S *	4/2013	Gifford	D12/163	D745,837 S	12/2015	Smith et al.	
D680,909 S	4/2013	Munson et al.		D746,726 S	1/2016	Smith et al.	
D680,910 S	4/2013	David		D746,727 S	1/2016	Smith et al.	
D680,918 S *	4/2013	Yamada	D12/163	D746,728 S	1/2016	Smith et al.	
D684,899 S	6/2013	Baker		D746,729 S	1/2016	Boniface et al.	
D686,536 S	7/2013	McCabe et al.		D746,730 S	1/2016	Kim et al.	
D692,798 S	11/2013	Thurber		D747,514 S	1/2016	McMahan et al.	
D692,799 S	11/2013	Smith et al.		D747,515 S	1/2016	McMahan et al.	
D696,157 S	12/2013	Loeb		D747,819 S	1/2016	Thole et al.	
D699,629 S	2/2014	Ikeda et al.		D748,543 S *	2/2016	Nissl	D12/169
D700,871 S	3/2014	O'Donnell et al.		D749,021 S	2/2016	Boniface et al.	
D701,151 S *	3/2014	Cartabiano	D12/169	D749,026 S	2/2016	Smith et al.	
D703,103 S	4/2014	Lee		D749,027 S	2/2016	McMahan et al.	
D703,108 S *	4/2014	Futschik	D12/163	D749,246 S	2/2016	Thole et al.	
D704,103 S	5/2014	Mack et al.		D749,249 S	2/2016	Thole et al.	
D705,132 S	5/2014	Ware et al.		D749,250 S	2/2016	Thole et al.	
D705,699 S *	5/2014	Ware	D12/91	D749,985 S	2/2016	Kozub et al.	
D711,794 S *	8/2014	Okamura	D12/169	D749,997 S	2/2016	McMahan et al.	
D713,298 S	9/2014	Dyson		D750,001 S	2/2016	Thole et al.	
D713,764 S	9/2014	Ferlazzo et al.		D753,032 S	4/2016	Smith et al.	
D716,197 S *	10/2014	Terui	D12/163	D753,033 S	4/2016	Thole et al.	
D716,696 S	11/2014	Thole et al.		D753,034 S	4/2016	Thole et al.	
D716,706 S	11/2014	Thole et al.		D753,035 S	4/2016	Boniface et al.	
D716,709 S	11/2014	Thole et al.		D753,559 S	4/2016	McMahan et al.	
D717,696 S	11/2014	Thole et al.		D753,560 S	4/2016	McMahan et al.	
D718,189 S	11/2014	Krieg et al.		D753,567 S	4/2016	Boniface et al.	
D718,683 S	12/2014	Thole et al.		D754,571 S	4/2016	Boniface et al.	
D721,019 S *	1/2015	Pevovar	D12/163	D754,572 S	4/2016	McMahan et al.	
D722,282 S	2/2015	Loeb		D755,088 S *	5/2016	McMahan	D12/163
D722,533 S	2/2015	Thole et al.		D756,869 S	5/2016	McMahan et al.	
D722,534 S	2/2015	Munson et al.		D758,271 S	6/2016	McMahan et al.	
D724,510 S	3/2015	McMahan et al.		D763,152 S *	8/2016	Frascella	D12/190
D725,001 S	3/2015	McMahan et al.		9,469,187 B1 *	10/2016	Ho	B60K 11/08
D726,591 S	4/2015	Jacob		D775,003 S *	12/2016	Pevovar	D12/163
D730,776 S	6/2015	Smart		D775,554 S *	1/2017	Kapitonov	D12/163
D730,783 S	6/2015	Henriques et al.		D776,020 S *	1/2017	Kapitonov	D12/163
D732,427 S	6/2015	Loeb		D780,644 S *	3/2017	Kim	D12/163
D732,429 S	6/2015	Loeb		D782,943 S *	4/2017	Kavaja	D12/163
D732,430 S *	6/2015	Loeb	D12/91	D782,944 S *	4/2017	Pevovar	D12/163
D732,431 S	6/2015	Loeb		D786,145 S *	5/2017	Kozub	D12/163
D732,432 S	6/2015	Aengenheyster		D787,993 S *	5/2017	McCabe	D12/173
D732,433 S	6/2015	Aengenheyster		2004/0190985 A1 *	9/2004	Aigner	B60R 19/52 403/329
D732,435 S	6/2015	Mackay		2005/0006913 A1 *	1/2005	Otte	B60R 19/52 293/115
D733,002 S	6/2015	Loeb		2006/0157992 A1 *	7/2006	Sakamoto	B60R 19/52 293/115
D735,611 S	8/2015	Aengenheyster		2008/0079271 A1 *	4/2008	Maruko	B60R 19/52 293/102
D735,627 S	8/2015	Smith		2010/0148525 A1 *	6/2010	Abdelnour	B60R 19/52 293/115
D736,451 S	8/2015	Smith		2011/0181062 A1 *	7/2011	Bernt	B60K 11/085 293/102
D739,306 S	9/2015	McMahan et al.		2014/0291056 A1 *	10/2014	Takanaga	B60K 11/085 180/274
D739,317 S	9/2015	McMahan et al.		2016/0325790 A1 *	11/2016	Murray	B62D 25/02
D741,223 S	10/2015	Kim et al.					
D743,309 S	11/2015	Thole et al.					
D743,313 S	11/2015	Smith et al.					
D743,314 S	11/2015	Thole et al.					
D743,857 S	11/2015	McMahan et al.					

* cited by examiner

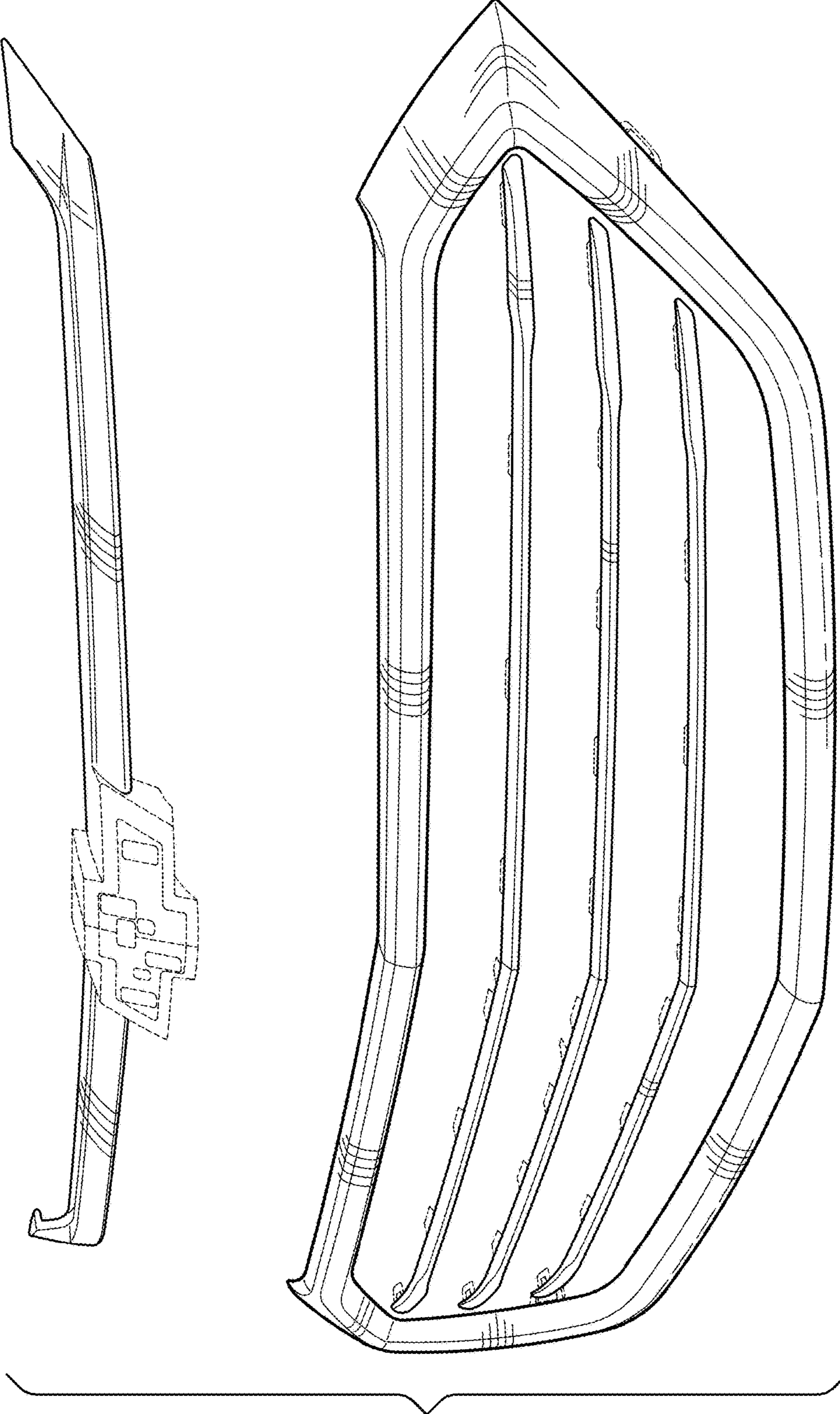


FIG. 1

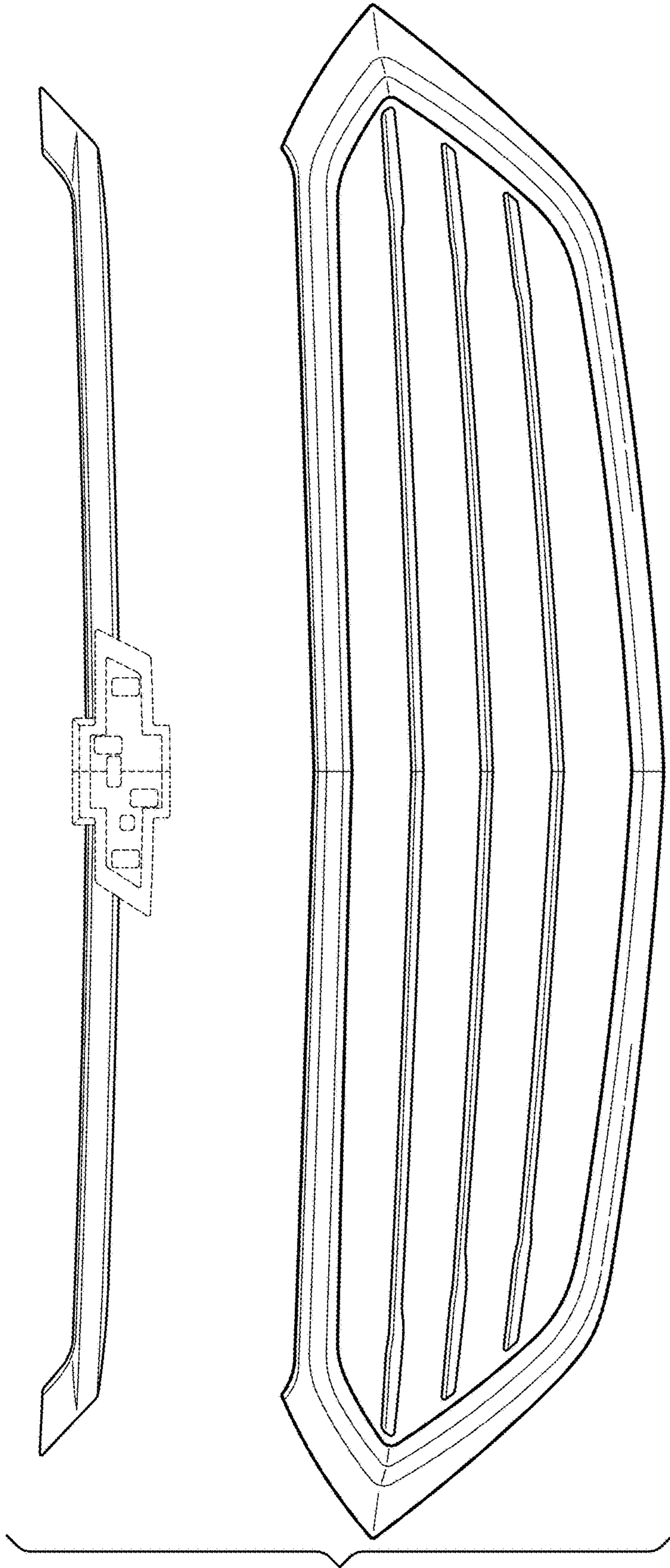


FIG. 2

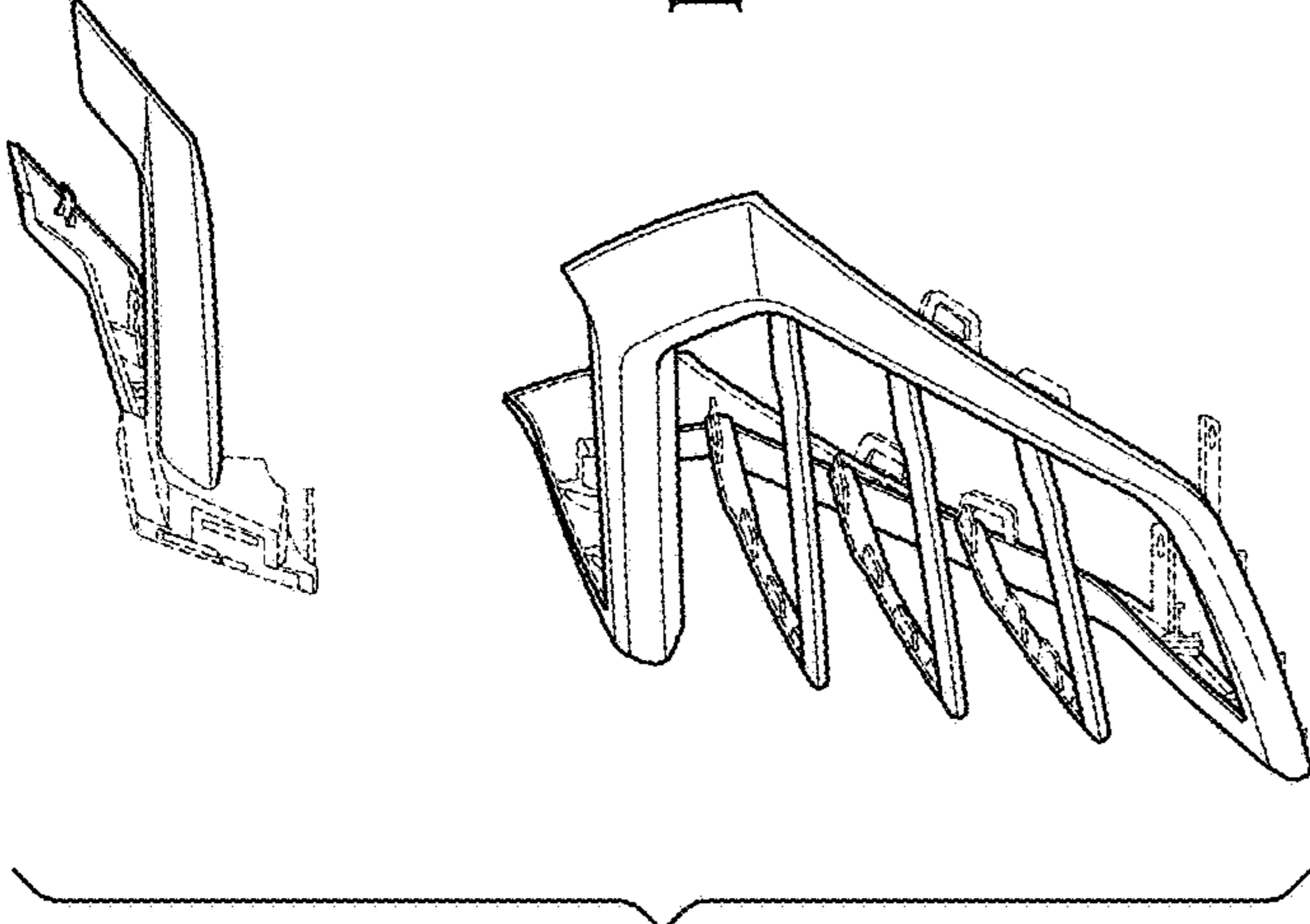


FIG. 3

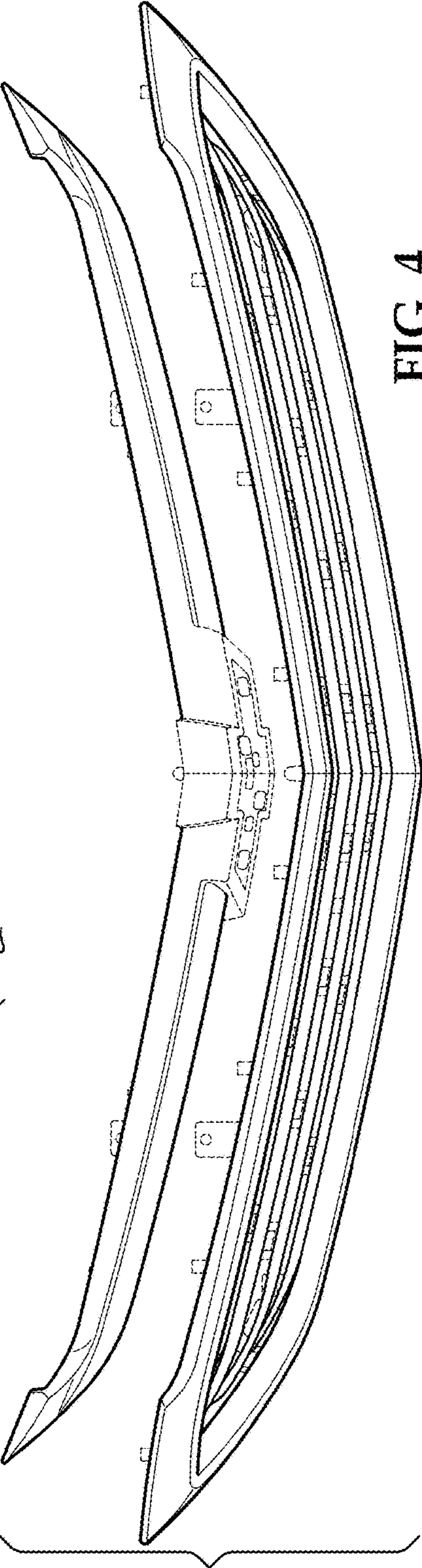


FIG. 4