



US00D807237S

(12) **United States Design Patent**
Wright

(10) **Patent No.:** **US D807,237 S**

(45) **Date of Patent:** **** Jan. 9, 2018**

- (54) **DROP HITCH APPARATUS**
- (71) Applicant: **Thomas Wright**, Marvell, AR (US)
- (72) Inventor: **Thomas Wright**, Marvell, AR (US)
- (**) Term: **15 Years**
- (21) Appl. No.: **29/616,767**
- (22) Filed: **Sep. 8, 2017**

Related U.S. Application Data

- (63) Continuation of application No. 15/406,934, filed on Jan. 16, 2017, now Pat. No. 9,809,070.
- (51) **LOC (11) Cl.** **12-16**
- (52) **U.S. Cl.**
USPC **D12/162**
- (58) **Field of Classification Search**
USPC D12/162, 161, 160, 159
CPC . B60D 1/60; B60D 1/065; B60D 1/00; B60D 1/06
See application file for complete search history.

(56) **References Cited**

U.S. PATENT DOCUMENTS

4,280,713	A	7/1981	Bruhn	
5,193,838	A	3/1993	Olson	
5,286,050	A	2/1994	Stallings, Jr. et al.	
6,575,488	B2	6/2003	Massey	
6,824,156	B2	11/2004	Smith	
7,451,996	B2	11/2008	Miles et al.	
8,033,563	B2	10/2011	Good	
8,256,970	B2	9/2012	Fortner	
8,733,781	B2 *	5/2014	Sims	B60D 1/465 254/420
D747,239	S *	1/2016	Wyers	D12/162

9,415,647	B2 *	8/2016	Woolf	B60D 1/04
D784,863	S *	4/2017	Rotenberg	D12/162
D795,756	S *	8/2017	McCuskey	D12/162
D796,389	S *	9/2017	Chan	D12/162
D797,008	S *	9/2017	Borkholder	D12/162
2017/0246925	A1 *	8/2017	Coetsee	B60D 1/60
2017/0297390	A1 *	10/2017	McDevitt	B60D 1/60
2017/0305218	A1 *	10/2017	Stanifer	B60D 1/488
2017/0320364	A1 *	11/2017	Pritchard	B60D 1/60

* cited by examiner

Primary Examiner — Katrina A Betton

(74) *Attorney, Agent, or Firm* — Rashauna Norment

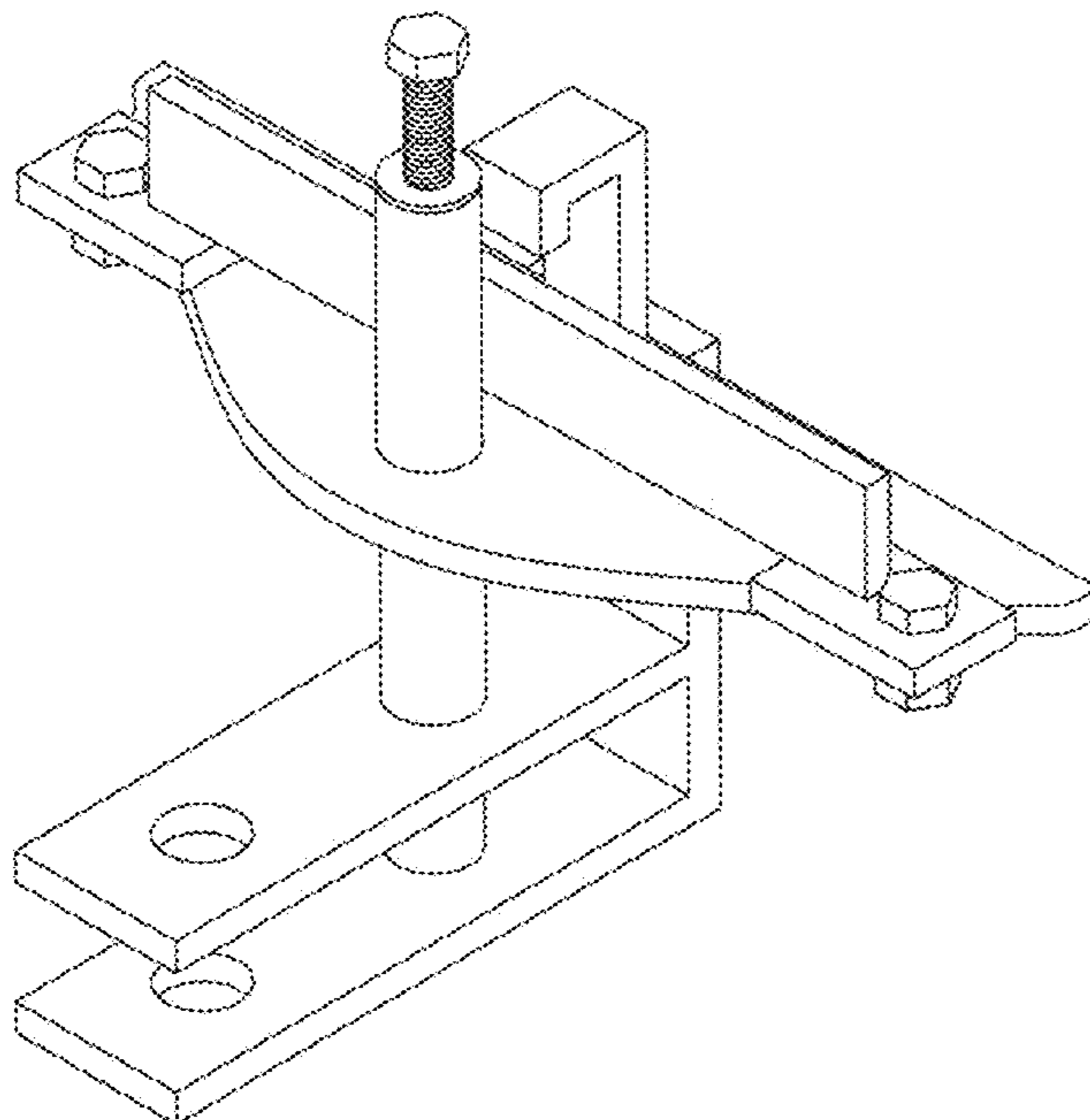
(57) **CLAIM**

The ornamental design for a drop hitch apparatus, as shown and described.

DESCRIPTION

FIG. 1 is a perspective view of an improved drop hitch apparatus;
 FIG. 2 is a top plan view of FIG. 1 thereof;
 FIG. 3 is a bottom plan view of FIG. 1 thereof;
 FIG. 4 is a front elevation view of FIG. 1 thereof;
 FIG. 5 is a rear elevation view of FIG. 1 thereof;
 FIG. 6 is a left side elevation view of FIG. 1 thereof, the right side elevation view being a mirror image;
 FIG. 7 is another side elevation view of FIG. 1 thereof, showing the drop hitch apparatus in use;
 FIG. 8 is another perspective view of FIG. 1 thereof, showing the components disassembled; and,
 FIG. 9 is bottom view of FIG. 8 thereof, showing the components disassembled.
 The broken lines in the drawing for the towing vehicle and the trailer are for illustrative purposes only and form no part of the claimed design.

1 Claim, 7 Drawing Sheets



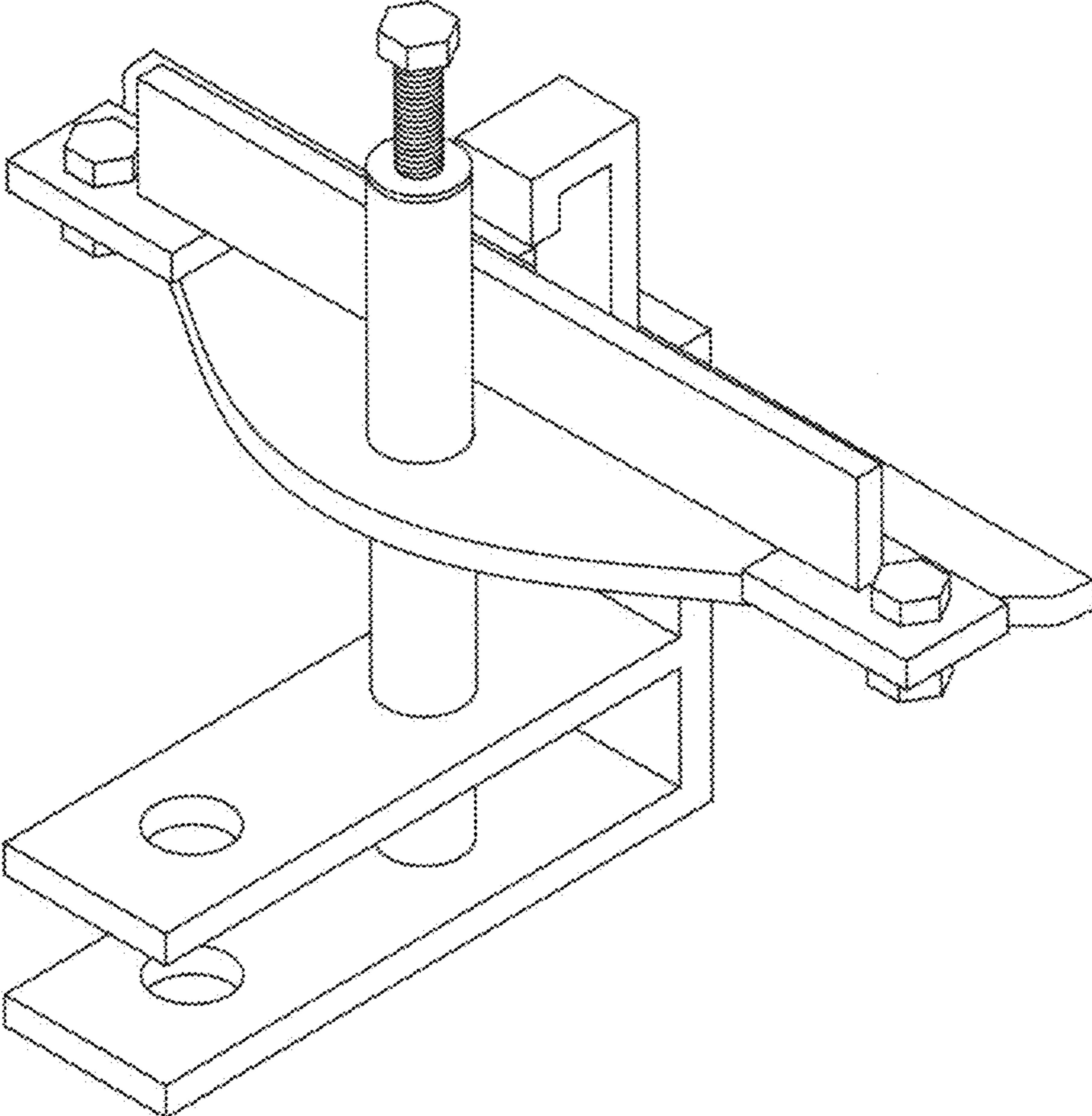


FIG. 1

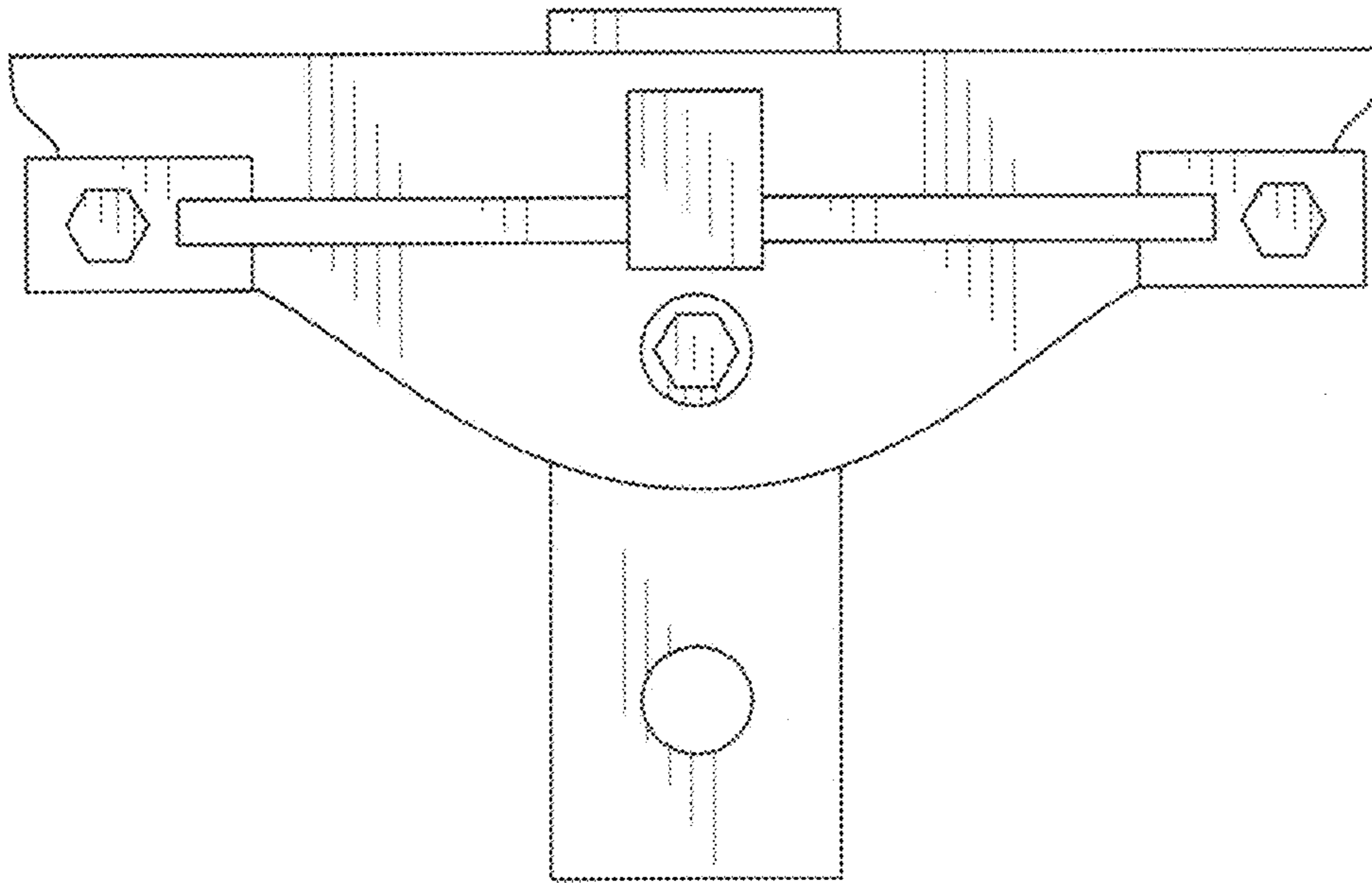


FIG. 2

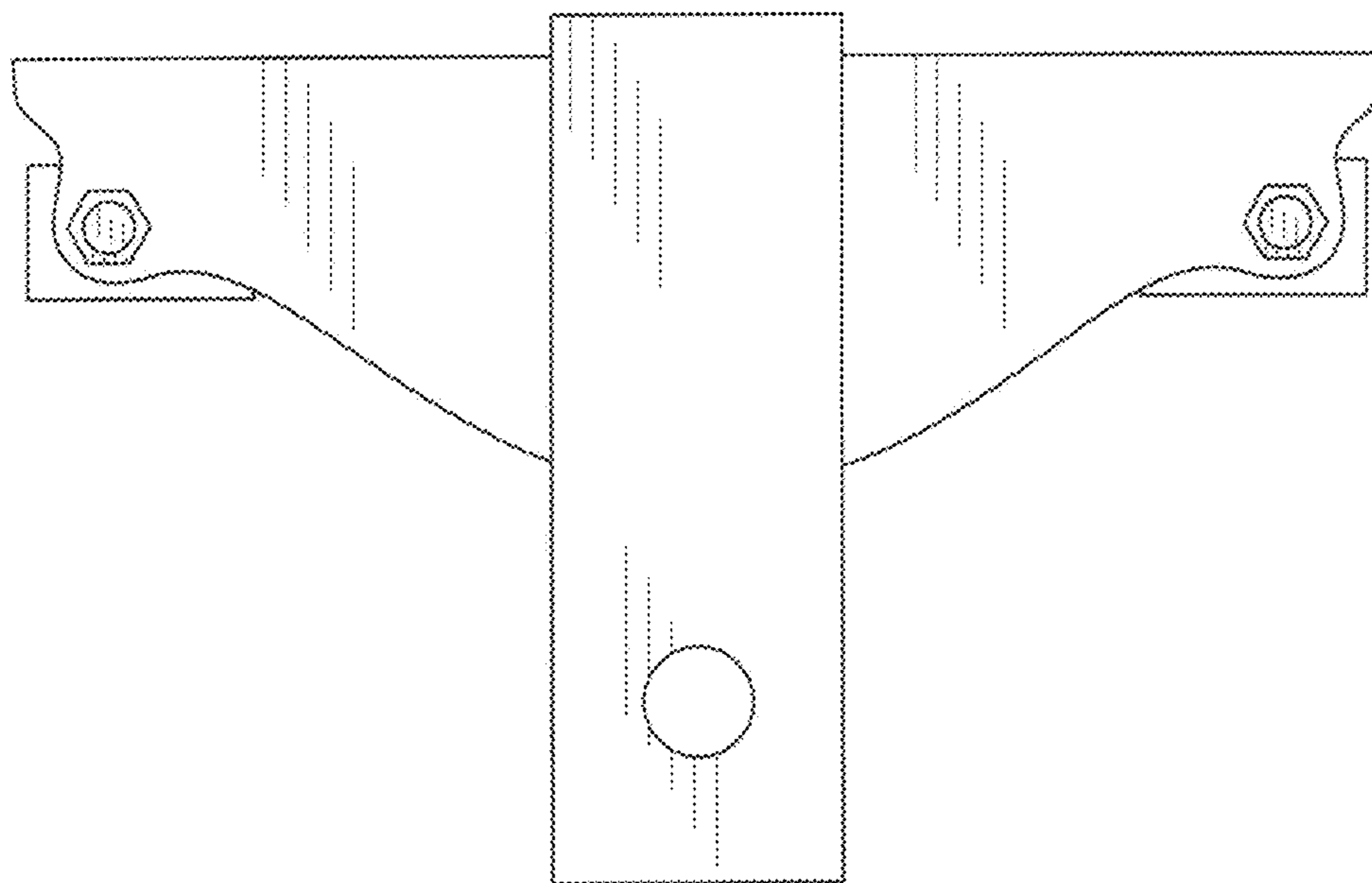


FIG. 3

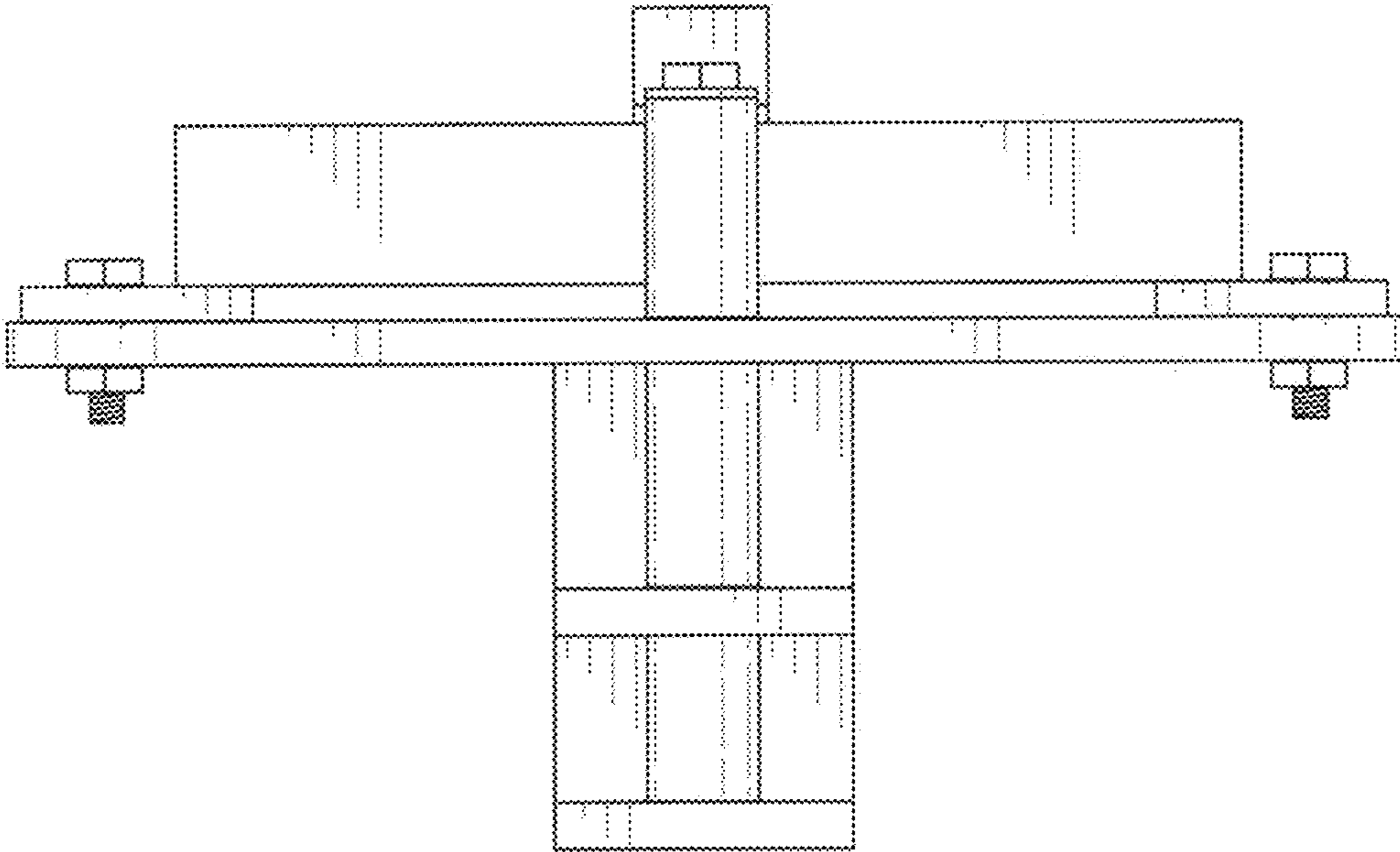


FIG. 4

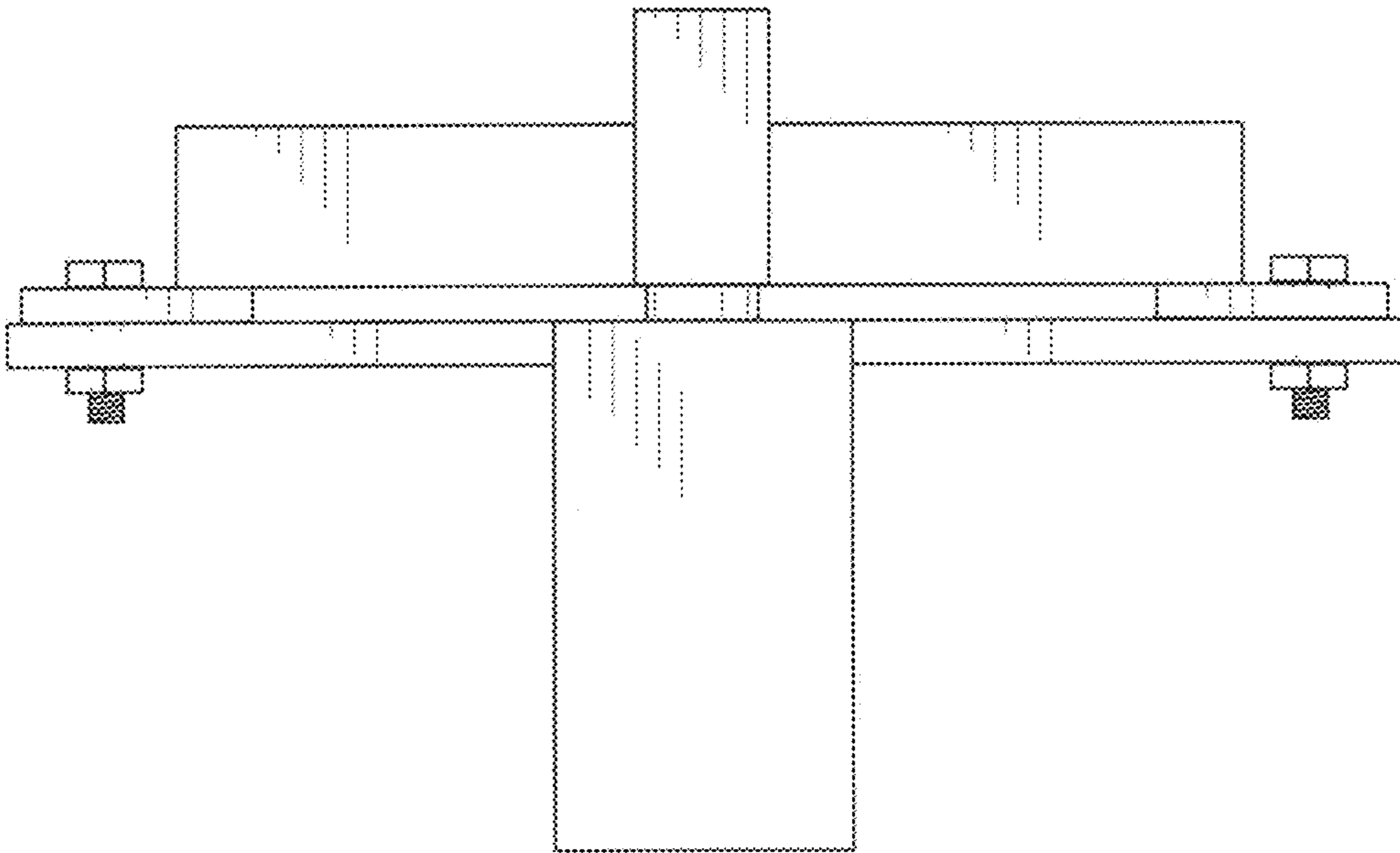


FIG. 5

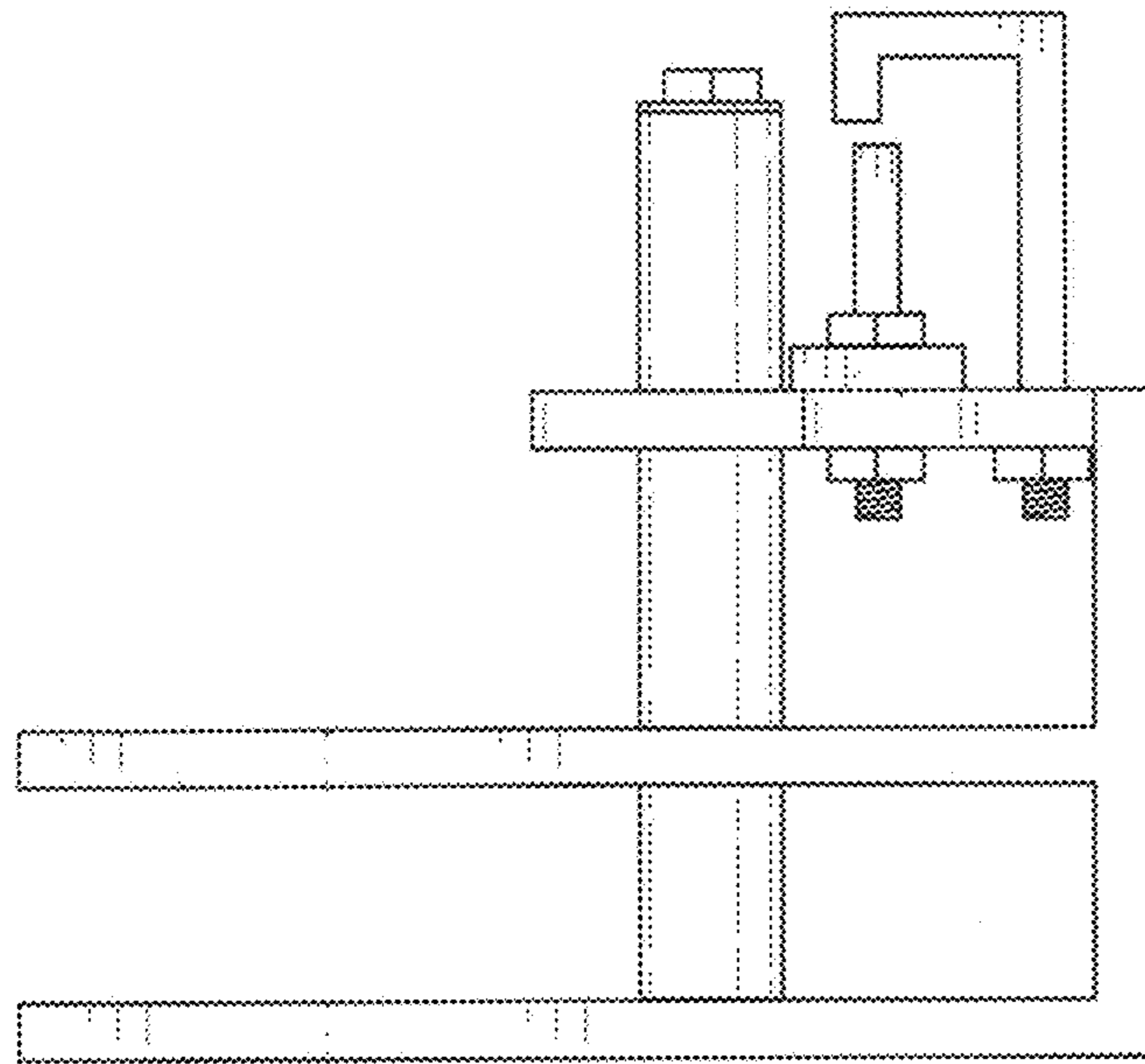


FIG. 6

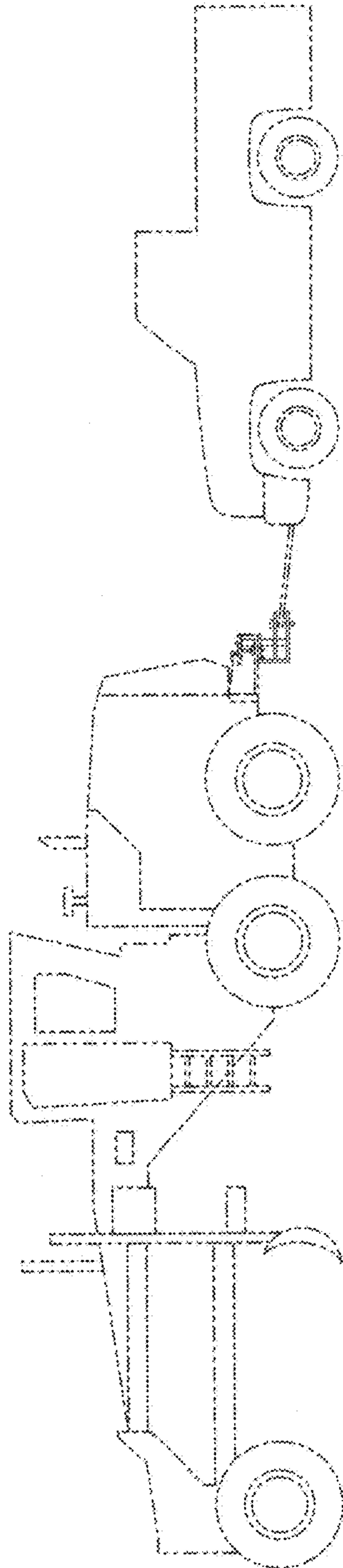


FIG. 7

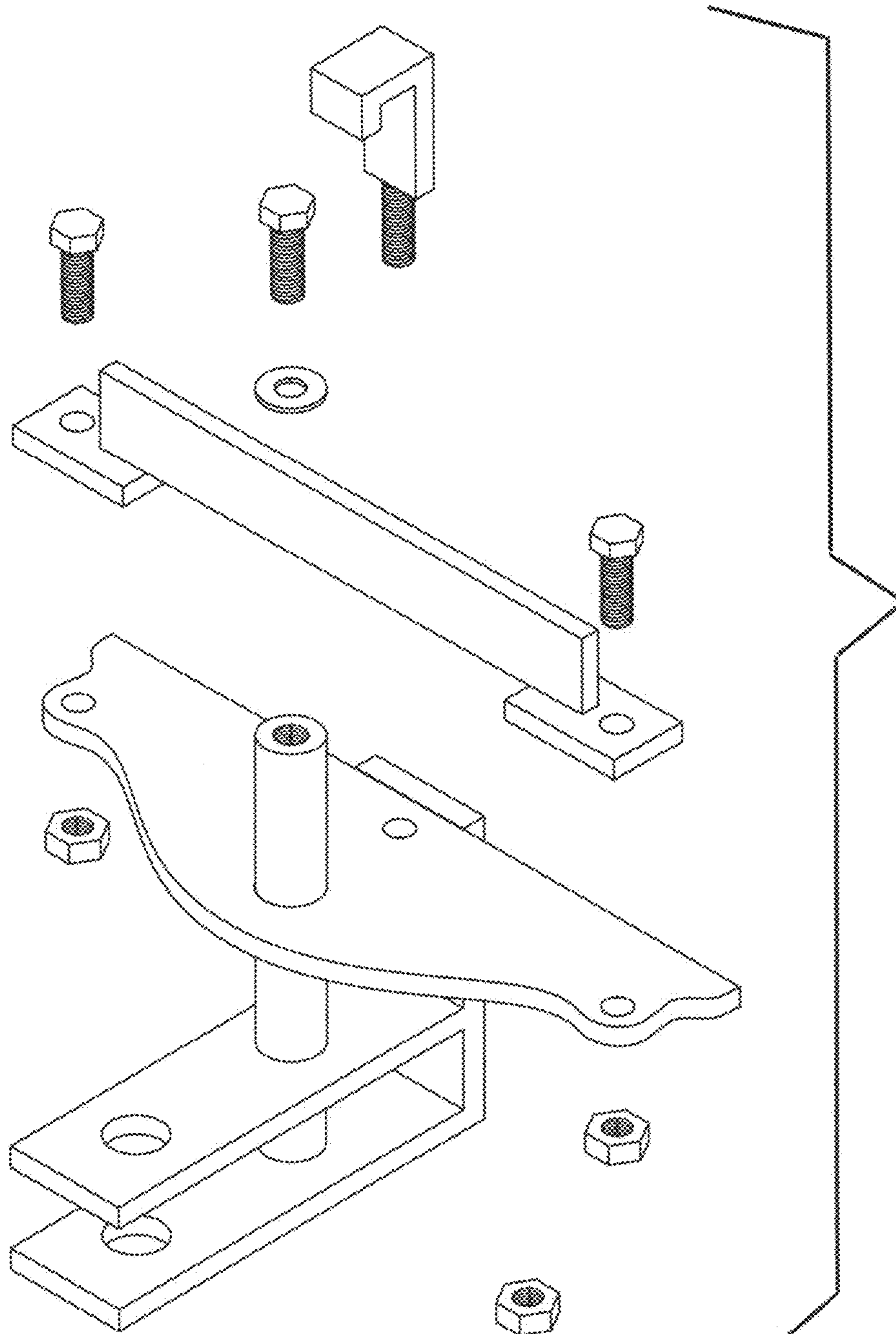


FIG. 8

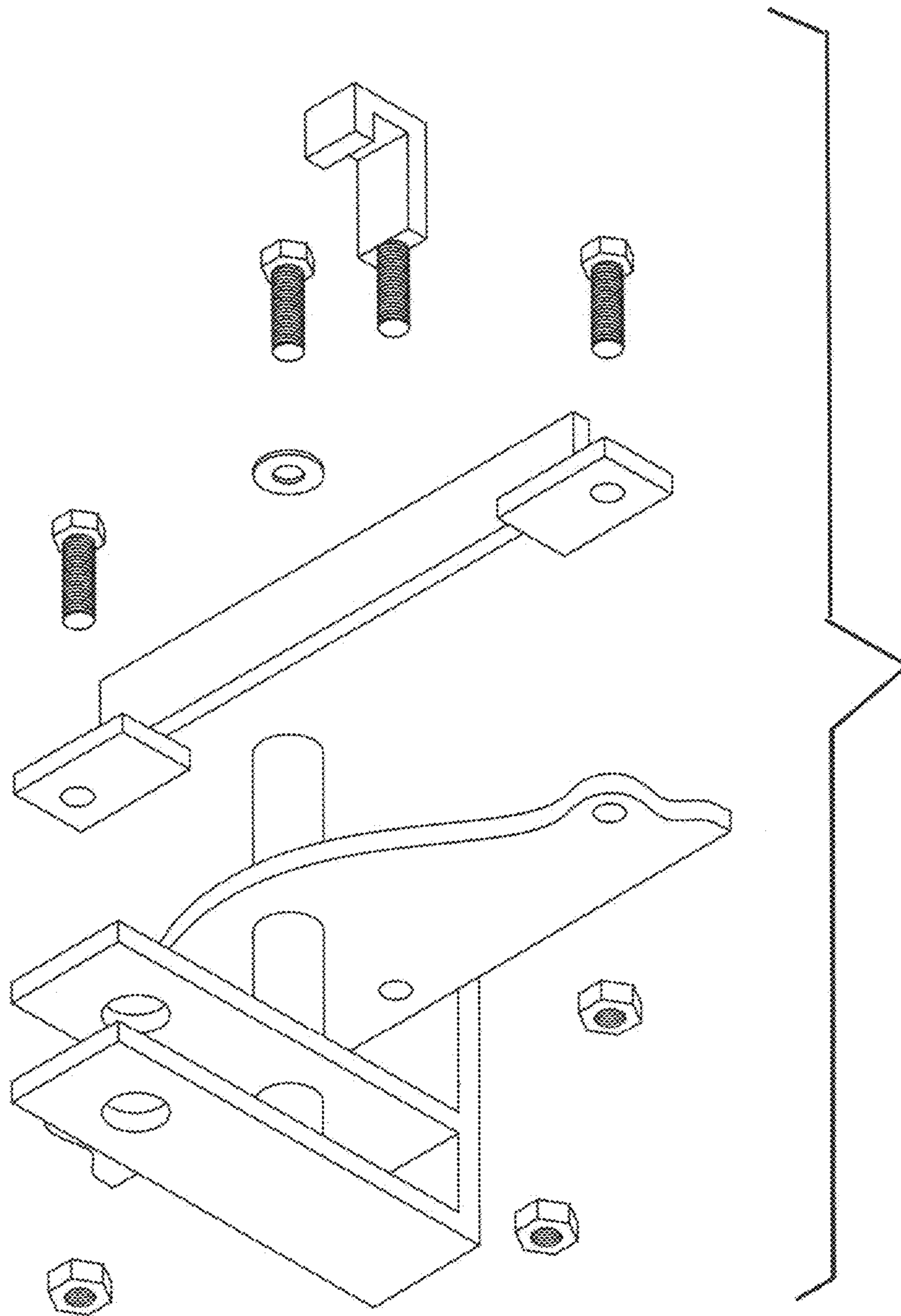


FIG. 9