



US00D807236S

(12) **United States Design Patent**
Collins et al.

(10) **Patent No.:** **US D807,236 S**
(45) **Date of Patent:** **** Jan. 9, 2018**

- (54) **DISPLAY HOUSING CRADLE**
- (71) Applicant: **DEKA Products Limited Partnership**,
Manchester, NH (US)
- (72) Inventors: **David E. Collins**, Merrimac, MA (US);
Katie A. DeLaurentis, Manchester, NH
(US)
- (73) Assignee: **DEKA Products Limited Partnership**,
Manchester, NH (US)
- (**) Term: **15 Years**
- (21) Appl. No.: **29/579,671**
- (22) Filed: **Sep. 30, 2016**
- (51) **LOC (11) Cl.** **12-12**
- (52) **U.S. Cl.**
USPC **D12/133**
- (58) **Field of Classification Search**
USPC D12/128-133
CPC A61G 5/00-5/14
See application file for complete search history.

- D552,609 S * 10/2007 Kornblum D14/412
- D632,229 S * 2/2011 Kruse D12/131
- 8,753,208 B2 * 6/2014 Jaouen A63F 13/803
463/36
- D723,558 S * 3/2015 Downs D12/133
- D742,795 S * 11/2015 Siao D12/133
- 2014/0083225 A1 * 3/2014 Downs B60K 37/06
74/471 XY

* cited by examiner

Primary Examiner — Charles Hanson

(74) *Attorney, Agent, or Firm* — Kathleen Chapman

(57) **CLAIM**

The ornamental design of a display housing cradle, as shown and described.

DESCRIPTION

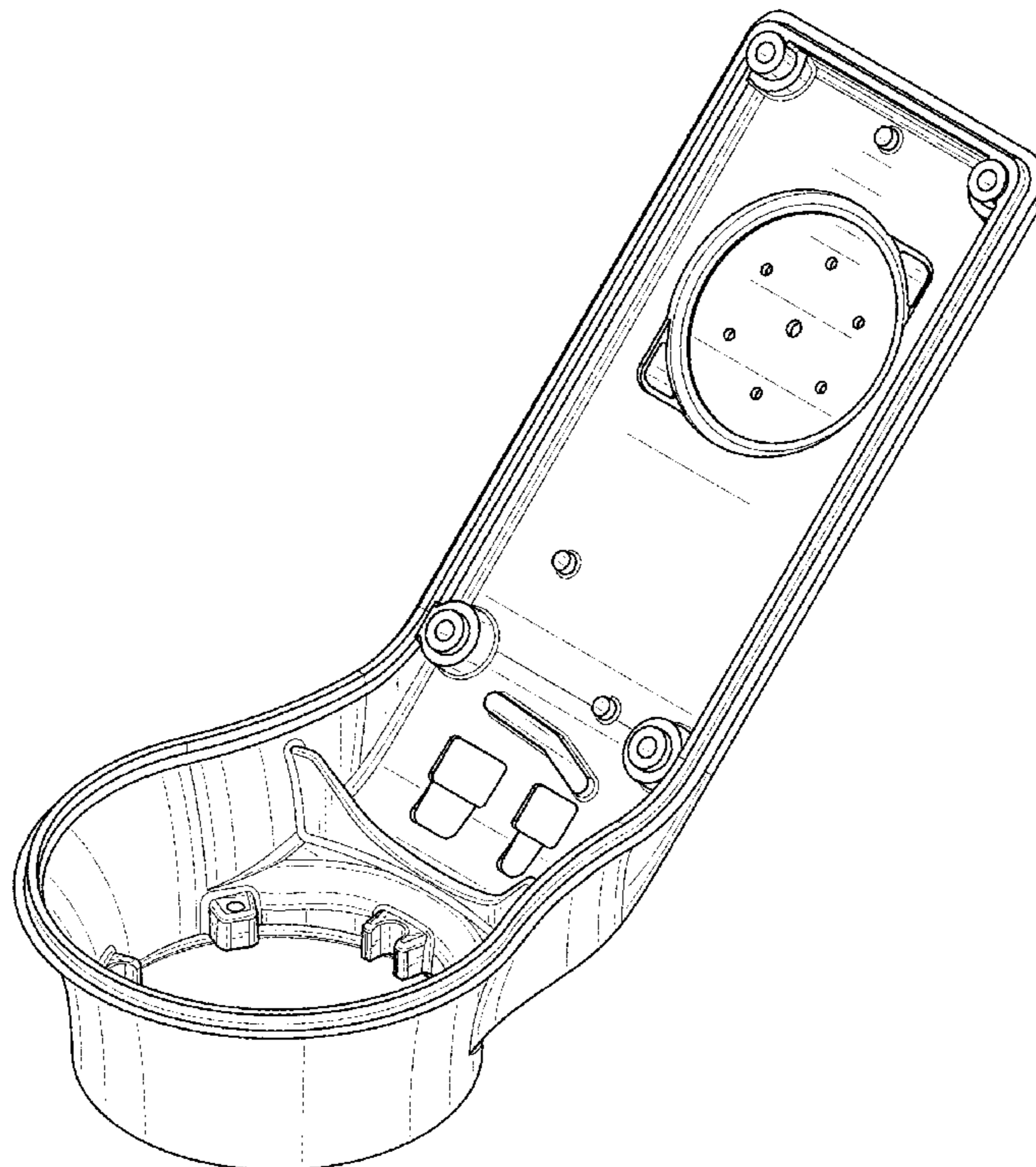
FIG. 1 is a front, top, right side perspective view of the display housing cradle, showing our new design; FIG. 2 is a front side elevational view thereof; FIG. 3 is a rear side elevational view thereof; FIG. 4 is a left side elevational view thereof; FIG. 5 is a right side elevational view thereof; FIG. 6 is a top plan view thereof; FIG. 7 is a bottom plan view thereof; and, FIG. 8 is a front, top, right perspective view of the display housing cradle, shown in its environment. The features shown in broken lines depict environmental structure only and form no part of the claimed design.

1 Claim, 8 Drawing Sheets

(56) **References Cited**

U.S. PATENT DOCUMENTS

- D503,928 S * 4/2005 Obata D13/164
- 6,938,923 B2 * 9/2005 Mulhern G06F 9/383
180/65.1



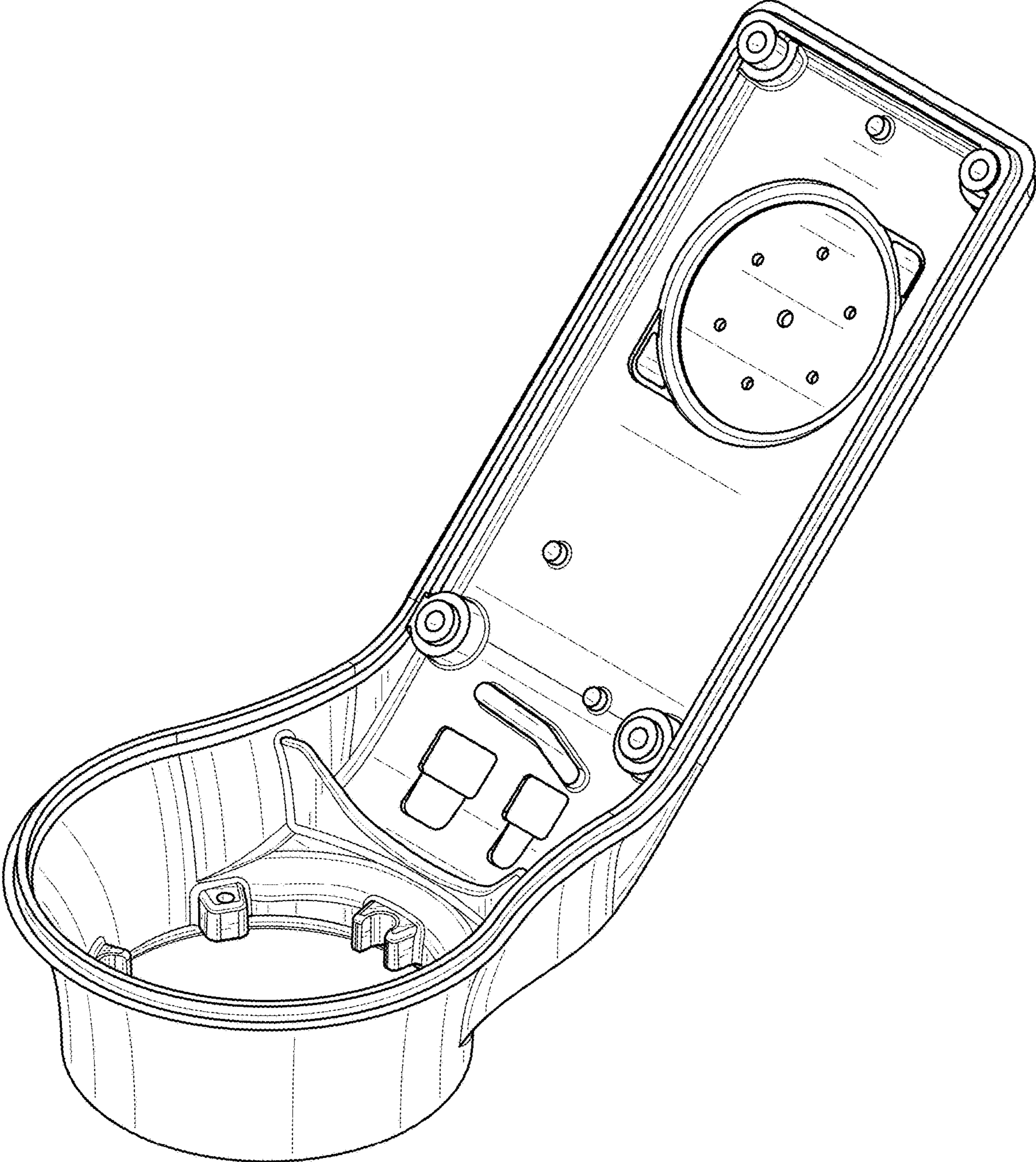


FIG. 1

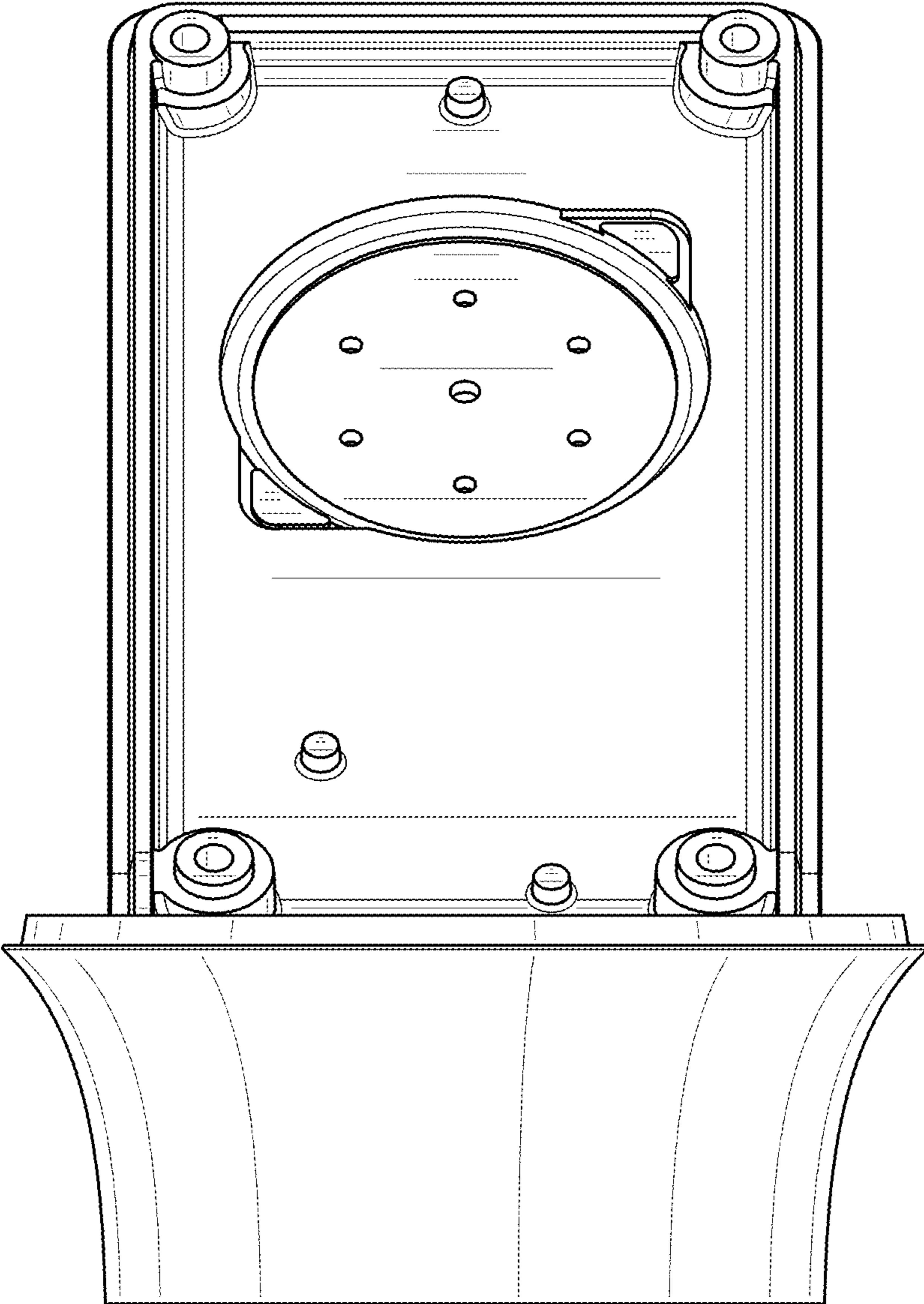


FIG. 2

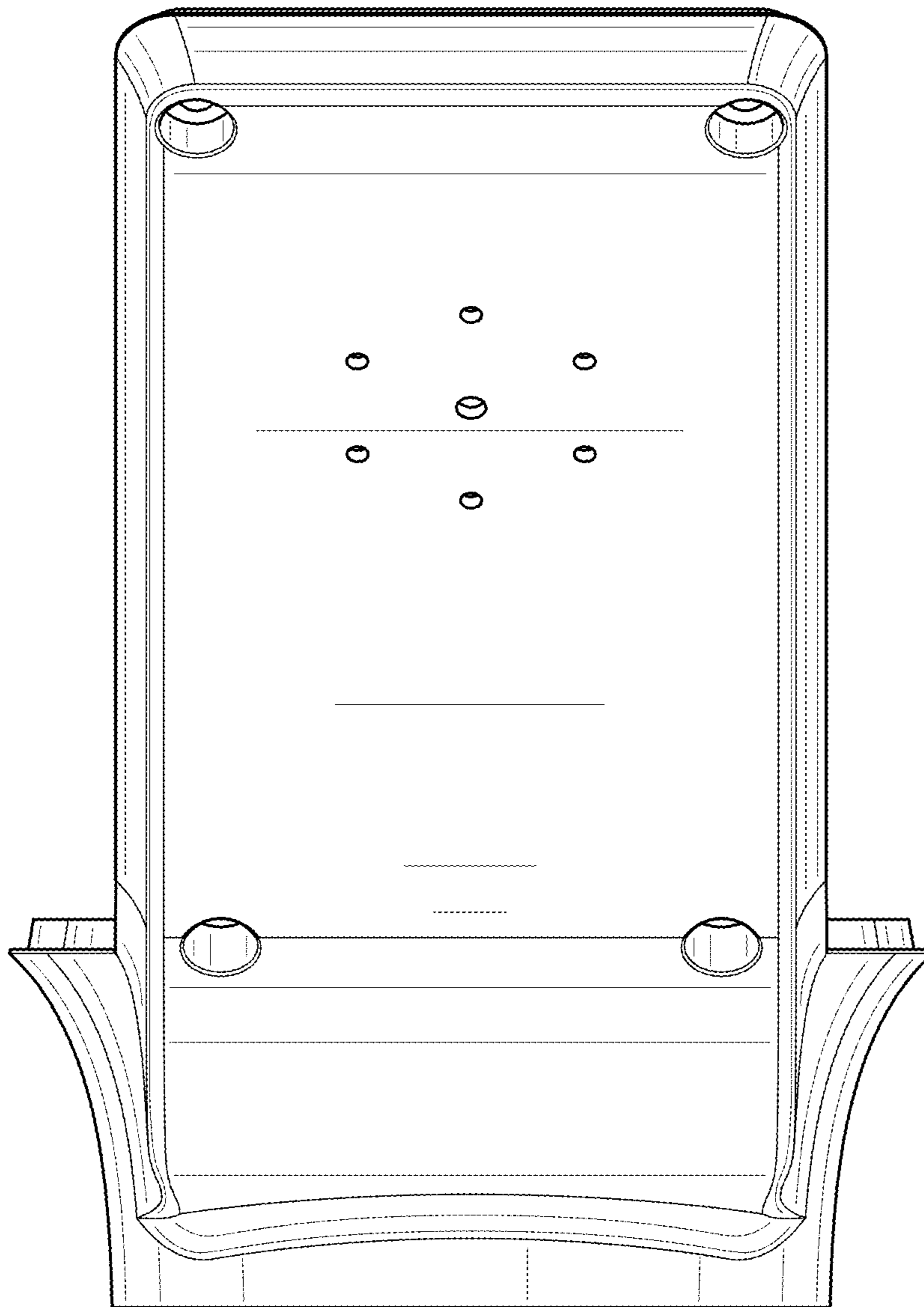


FIG. 3

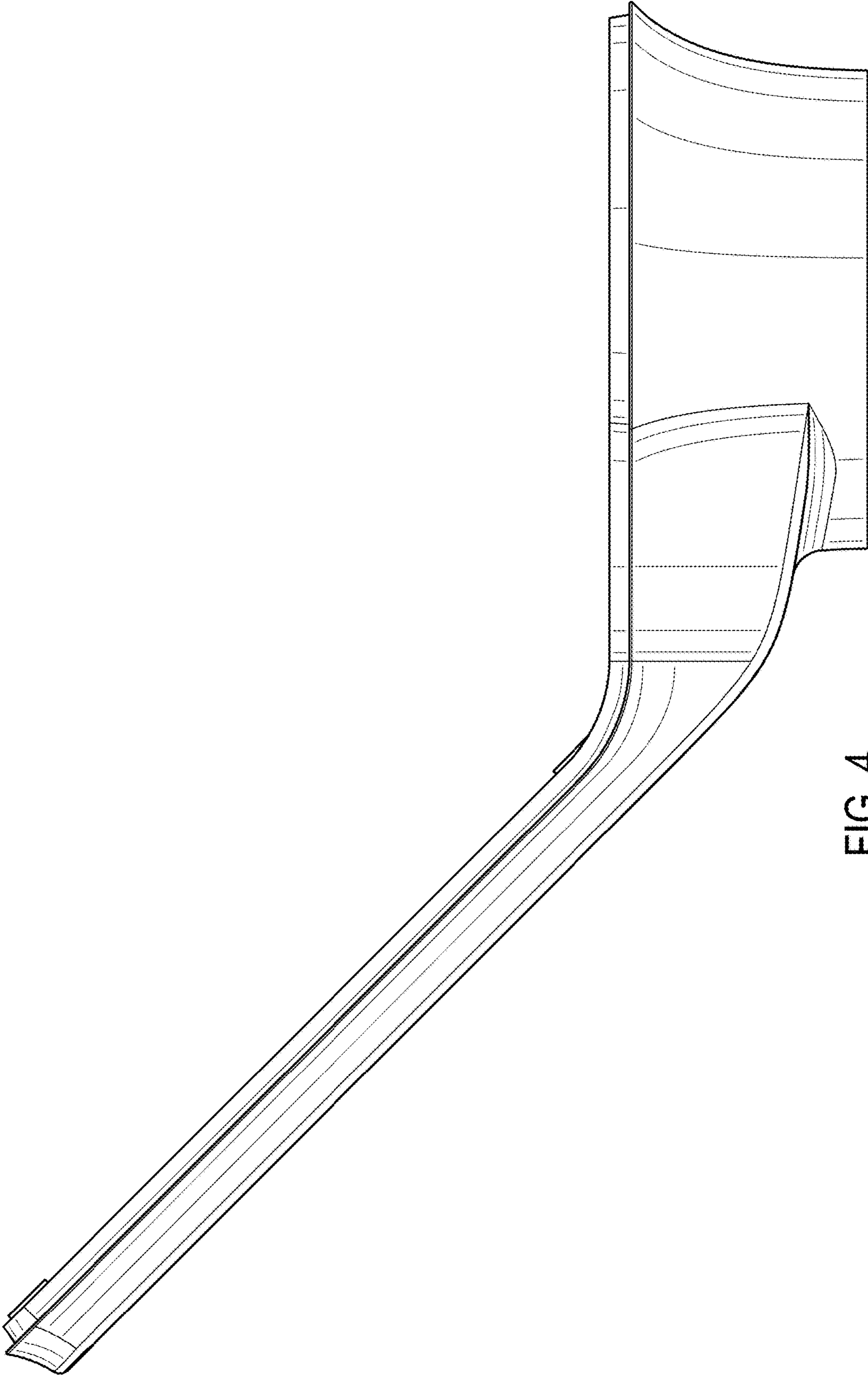


FIG. 4

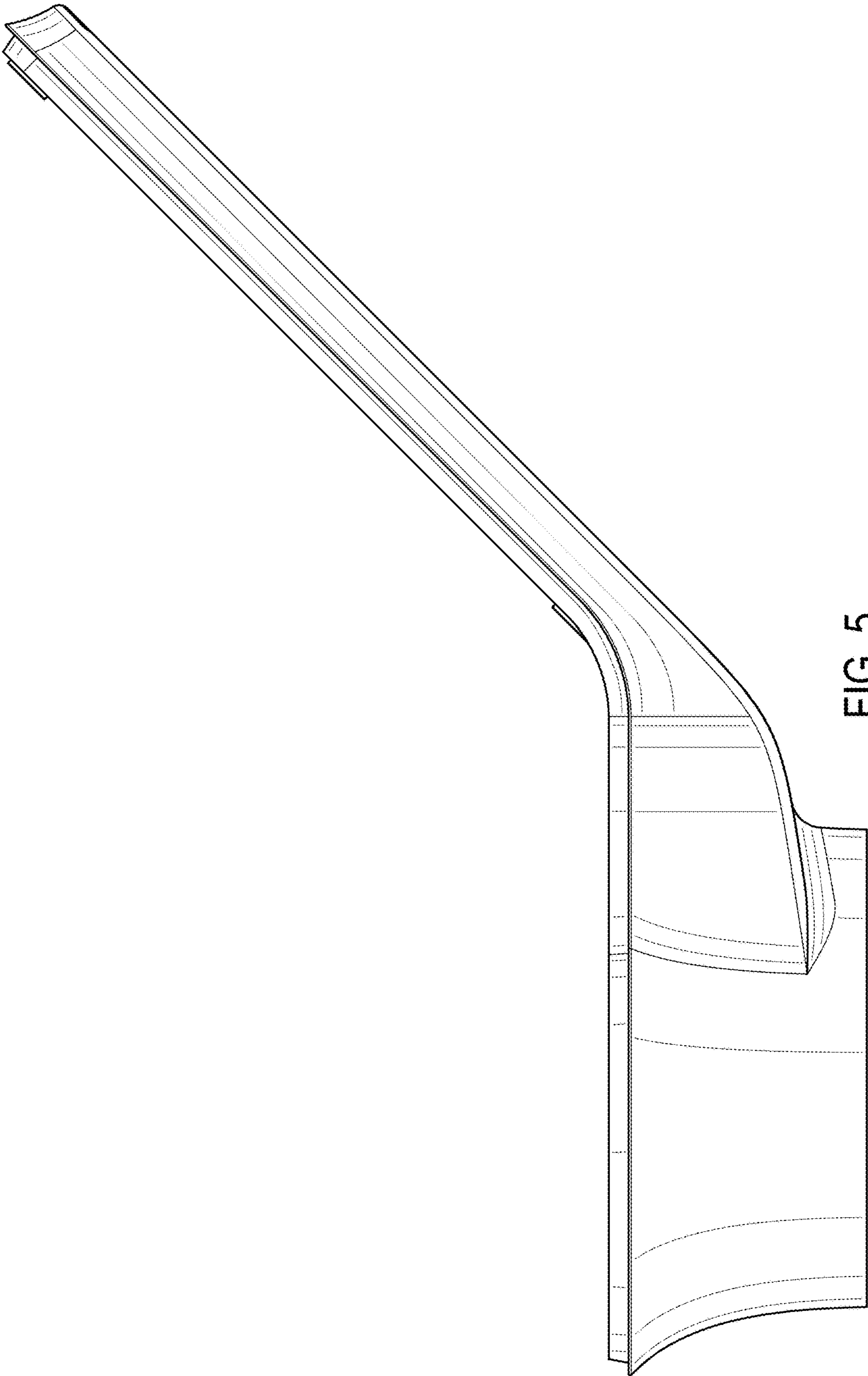


FIG. 5

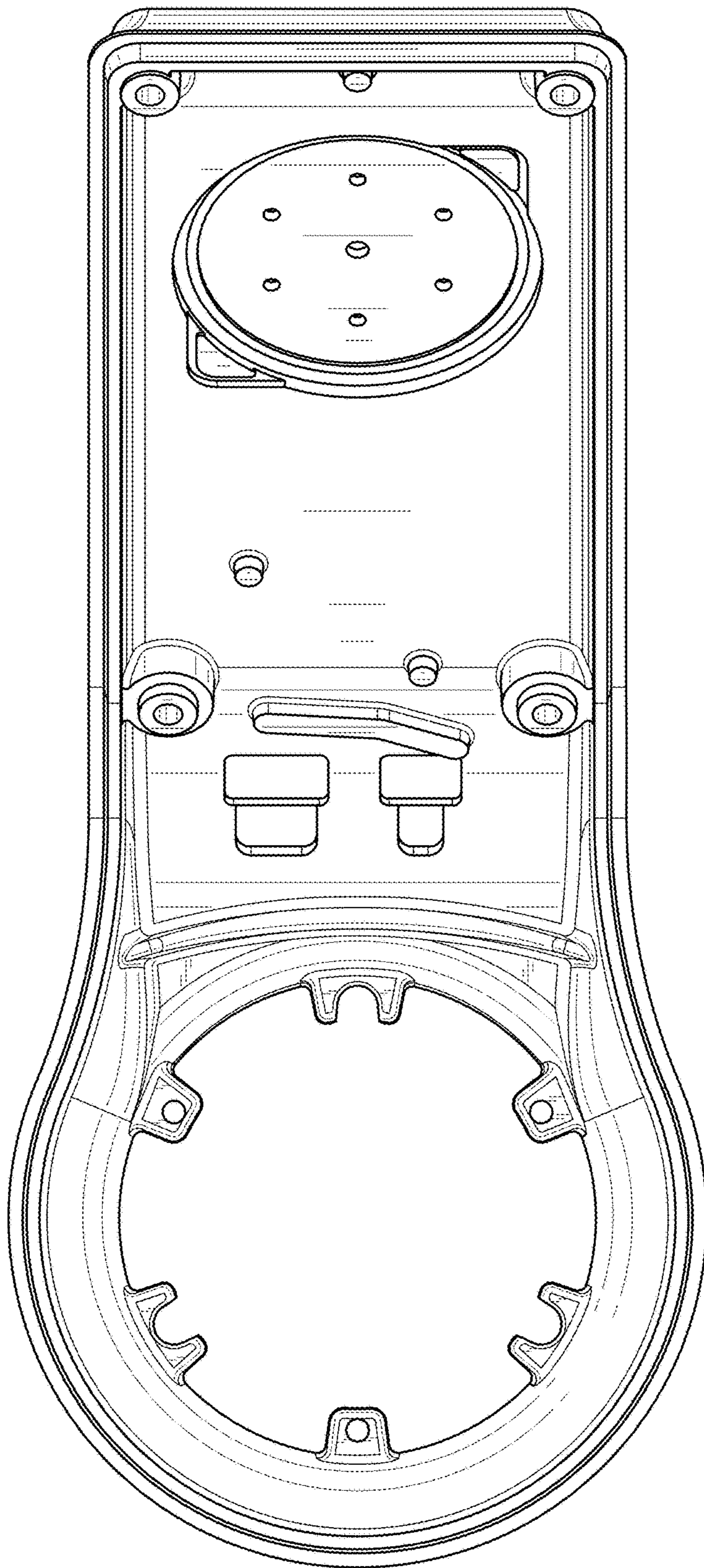


FIG. 6

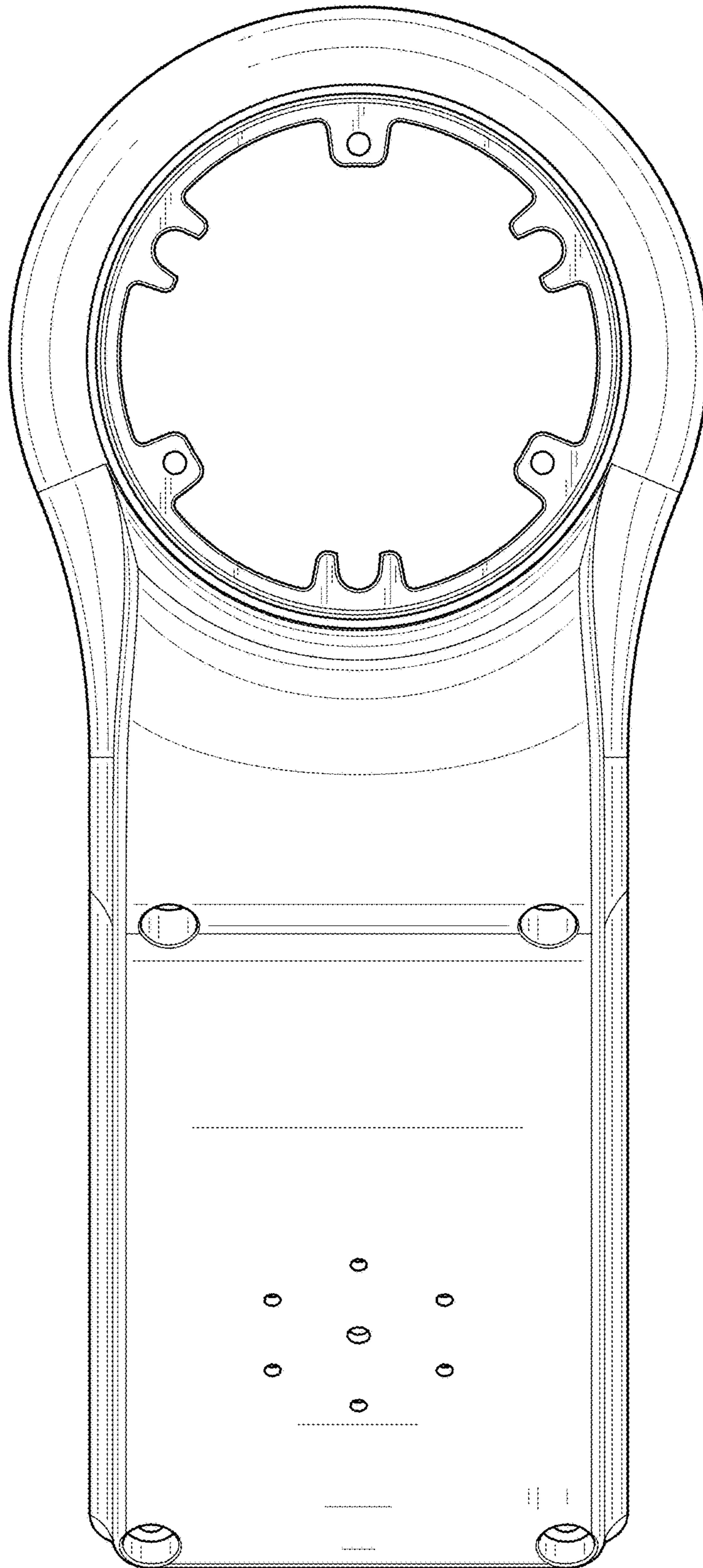


FIG. 7

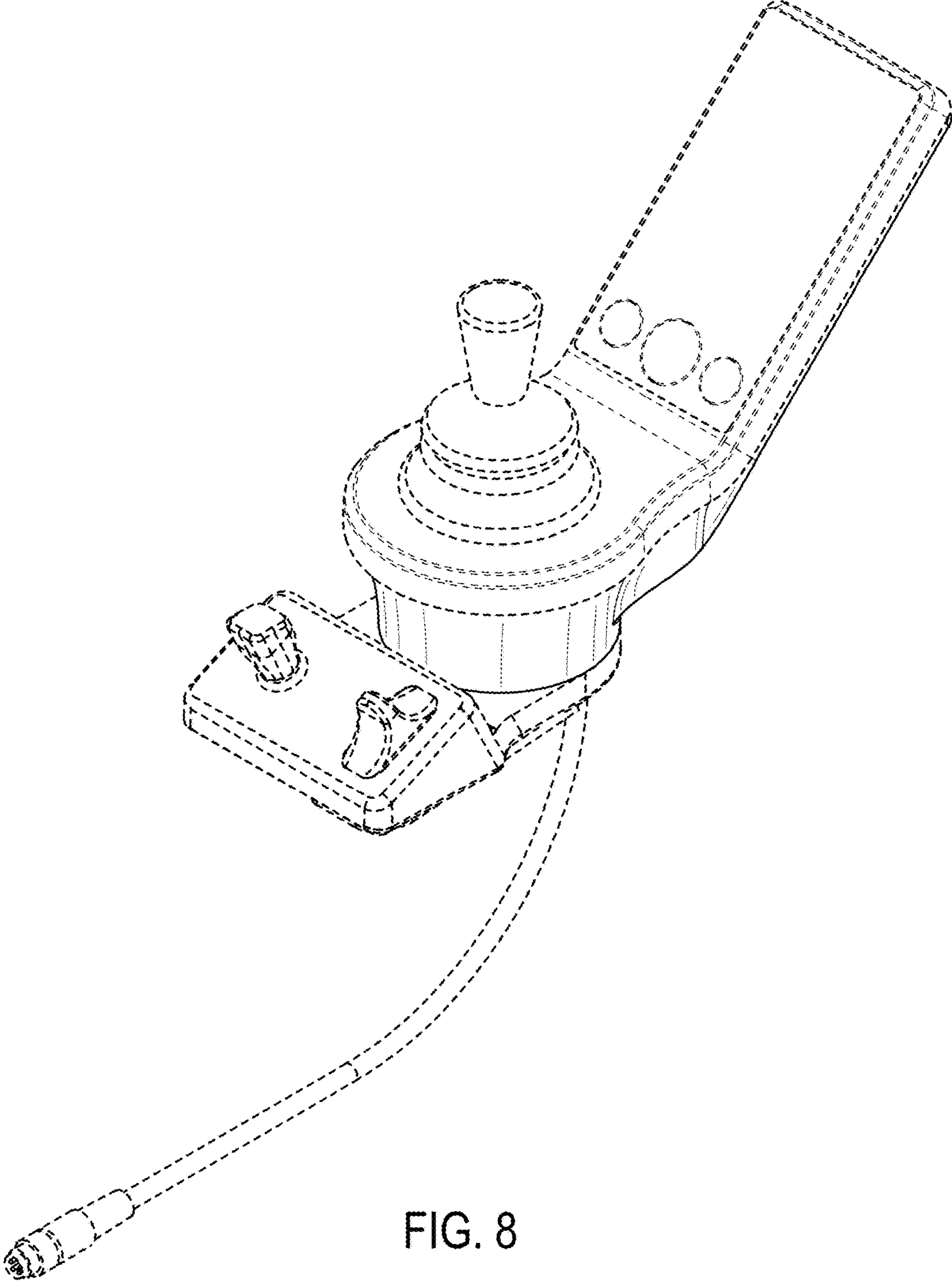


FIG. 8