



US00D807232S

(12) **United States Design Patent**  
**Bailie**

(10) **Patent No.:** **US D807,232 S**

(45) **Date of Patent:** **\*\* Jan. 9, 2018**

- (54) **FOLDING ELECTRIC BICYCLE**
- (71) Applicant: **GM GLOBAL TECHNOLOGY OPERATIONS LLC**, Detroit, MI (US)
- (72) Inventor: **Jess R. Bailie**, Shelby Township, MI (US)
- (73) Assignee: **GM Global Technology Operations LLC**, Detroit, MI (US)
- (\*\*) Term: **15 Years**

- 3,739,728 A \* 6/1973 Thompson ..... B61B 11/00  
104/173.2
- 3,779,171 A \* 12/1973 Littlehorn, Jr. .... B61B 12/10  
104/173.2
- 3,826,323 A \* 7/1974 Mehne ..... A63C 5/085  
180/180

(Continued)

*Primary Examiner* — Darlington Ly

(74) *Attorney, Agent, or Firm* — Reising Ethington P.C.

(57) **CLAIM**

The ornamental design for a folding electric bicycle, as shown and described.

**DESCRIPTION**

- (21) Appl. No.: **29/576,929**
- (22) Filed: **Sep. 8, 2016**
- (51) **LOC (11) Cl.** ..... **12-11**
- (52) **U.S. Cl.**  
USPC ..... **D12/111; D21/432**
- (58) **Field of Classification Search**  
USPC ..... D12/111, 117; D21/412, 414, 419,  
D21/423-428, 431-435  
CPC ..... B62K 3/00; B62K 3/02; B62K 3/06  
See application file for complete search history.

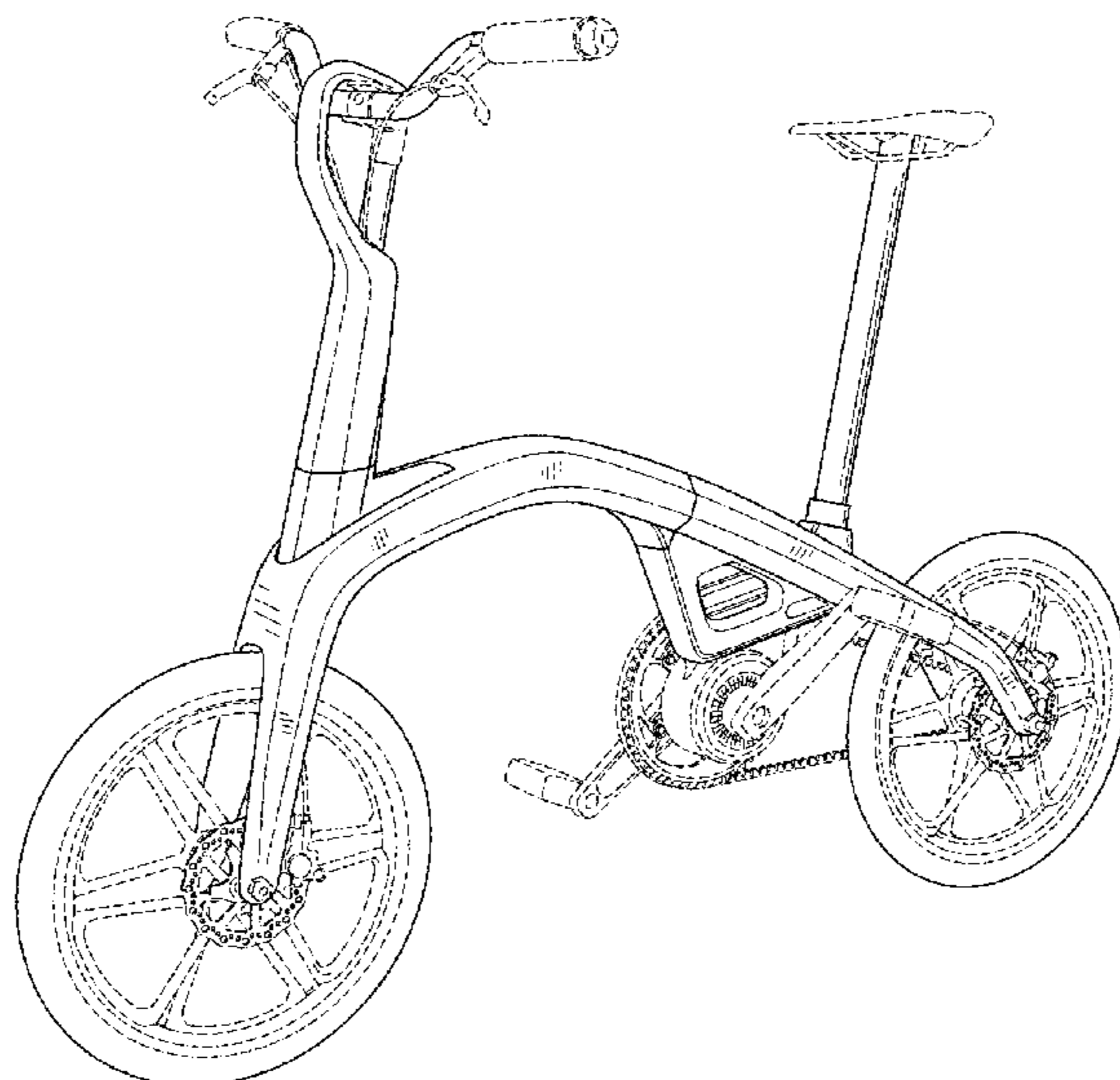
FIG. 1 is a front perspective view of a folding electric bicycle showing my new design;  
 FIG. 2 is a right side elevation view thereof;  
 FIG. 3 is a left side elevation view thereof;  
 FIG. 4 is a front elevation view thereof;  
 FIG. 5 is a rear elevation view thereof;  
 FIG. 6 is a top plan view thereof;  
 FIG. 7 is a rear perspective view thereof;  
 FIG. 8 is a rear perspective view thereof, wherein the bicycle is shown in an alternate configuration with its seat post lowered and head tube raised;  
 FIG. 9 is a rear perspective view thereof, wherein the bicycle is shown in an alternate configuration with its handlebars folded inward;  
 FIG. 10 is a rear perspective view thereof, wherein the bicycle is shown in an alternate configuration with its head tube and frame tube slightly folded;  
 FIG. 11 is a rear perspective view thereof, wherein the bicycle is shown in an alternate configuration with its head tube and frame tube about halfway folded; and,  
 FIG. 12 is a rear perspective view thereof, wherein the bicycle is shown in an alternate configuration with its head tube and frame tube entirely folded.  
 The broken lines in the drawings illustrate portions of the folding electric bicycle that form no part of the claimed design.

(56) **References Cited**

**U.S. PATENT DOCUMENTS**

- 2,079,491 A \* 5/1937 Cooke ..... B61B 12/12  
104/202
- 2,608,935 A \* 9/1952 Moore ..... B61B 11/002  
104/173.2
- 2,646,005 A \* 7/1953 Swenson ..... B61B 11/002  
104/169
- 3,315,914 A \* 4/1967 Turner ..... B61B 12/10  
242/390.1
- 3,405,651 A \* 10/1968 Harmon ..... B61B 7/06  
104/173.2
- 3,473,486 A \* 10/1969 Harmon ..... B61B 7/06  
104/173.2

**1 Claim, 10 Drawing Sheets**



(56)

References Cited

U.S. PATENT DOCUMENTS

4,023,502 A *	5/1977	Elsing .....	B61B 11/00	D713,298 S	9/2014	Dyson	
			104/173.2	D713,764 S	9/2014	Ferlazzo et al.	
D278,754 S *	5/1985	Andersson .....	D34/33	D716,696 S	11/2014	Thole et al.	
4,611,542 A *	9/1986	Pivarunas .....	B61B 11/002	D716,706 S	11/2014	Thole et al.	
			104/173.2	D716,709 S	11/2014	Thole et al.	
4,920,892 A *	5/1990	Pesek .....	B61B 12/02	D717,696 S	11/2014	Thole et al.	
			104/173.2	D718,189 S	11/2014	Krieg et al.	
5,205,219 A *	4/1993	Groskreutz .....	B61B 11/002	D718,683 S	12/2014	Thole et al.	
			104/173.2	D722,282 S	2/2015	Loeb	
D347,721 S *	6/1994	Carter, Jr. ....	D34/28	D722,533 S	2/2015	Thole et al.	
6,295,936 B1 *	10/2001	Dahlstrom .....	B61B 11/004	D722,534 S	2/2015	Munson et al.	
			104/173.2	D724,497 S *	3/2015	Harness .....	D12/111
D473,495 S *	4/2003	Niitsu .....	D12/111	D724,510 S	3/2015	McMahan et al.	
D487,234 S *	3/2004	Chen .....	D12/111	D725,001 S	3/2015	McMahan et al.	
D498,438 S *	11/2004	Ying .....	D12/111	D726,591 S	4/2015	Jacob	
D536,645 S *	2/2007	Cole .....	D12/111	D730,776 S	6/2015	Smart	
D556,420 S *	11/2007	Trihey .....	D34/33	D730,778 S *	6/2015	Harness .....	D12/111
D570,742 S	6/2008	Takagi et al.		D730,783 S	6/2015	Henriques et al.	
D574,756 S *	8/2008	Masui .....	D12/111	D732,427 S	6/2015	Loeb	
D592,105 S	5/2009	Dean et al.		D732,429 S	6/2015	Loeb	
D597,447 S	8/2009	Folden		D732,430 S	6/2015	Loeb	
D600,595 S	9/2009	Nakamura et al.		D732,431 S	6/2015	Loeb	
D601,925 S	10/2009	O'Donnell		D732,432 S	6/2015	Aengenheyster	
D603,755 S	11/2009	Peters		D732,433 S	6/2015	Aengenheyster	
D604,203 S	11/2009	O'Donnell		D732,435 S	6/2015	Mackay	
D605,082 S	12/2009	Munson		D733,002 S	6/2015	Loeb	
D605,083 S	12/2009	Manoogian, II et al.		D735,611 S	8/2015	Aengenheyster et al.	
D605,977 S	12/2009	Zipfel et al.		D735,627 S	8/2015	Smith	
D605,978 S	12/2009	Wolff et al.		D736,451 S	8/2015	Smith	
D608,249 S	1/2010	Peters		D739,306 S	9/2015	McMahan et al.	
D608,690 S	1/2010	Folden et al.		D739,317 S	9/2015	McMahan et al.	
D608,691 S	1/2010	Zak, Jr. et al.		D741,223 S	10/2015	Kim et al.	
D609,608 S	2/2010	Boniface et al.		D743,309 S	11/2015	Thole et al.	
D611,387 S	3/2010	Thompson et al.		D743,313 S	11/2015	Smith et al.	
D611,879 S	3/2010	Kim et al.		D743,314 S	11/2015	Thole et al.	
D612,297 S	3/2010	Peters et al.		D743,857 S	11/2015	McMahan et al.	
D613,645 S	4/2010	Song et al.		D744,158 S	11/2015	Willett et al.	
D614,084 S *	4/2010	Tanaka .....	D12/111	D745,086 S	12/2015	Finos et al.	
D615,458 S	5/2010	Thompson et al.		D745,719 S	12/2015	Boniface et al.	
D617,687 S *	6/2010	Brady .....	D12/111	D745,725 S	12/2015	McMahan et al.	
D618,595 S	6/2010	Ware et al.		D745,726 S	12/2015	McMahan et al.	
D620,400 S *	7/2010	Haller .....	D12/111	D745,837 S	12/2015	Smith et al.	
D623,090 S	9/2010	Cox et al.		D746,726 S	1/2016	Smith et al.	
D627,262 S	11/2010	Ikeda et al.		D746,727 S	1/2016	Smith et al.	
D635,488 S	4/2011	Phipps		D746,728 S	1/2016	Smith et al.	
D644,147 S	8/2011	Suh et al.		D746,729 S	1/2016	Boniface et al.	
D644,567 S	9/2011	Kozub		D746,730 S	1/2016	Kim et al.	
D657,718 S	4/2012	Zipfel et al.		D747,514 S	1/2016	McMahan et al.	
D659,052 S	5/2012	Ware et al.		D747,515 S	1/2016	McMahan et al.	
D659,053 S	5/2012	Ware et al.		D747,819 S	1/2016	Thole et al.	
D668,182 S	10/2012	Barba Franco et al.		D749,021 S	2/2016	Boniface et al.	
D668,183 S	10/2012	Smart		D749,026 S	2/2016	Smith et al.	
D670,208 S *	11/2012	Frenzel .....	D12/111	D749,027 S	2/2016	McMahan et al.	
D678,820 S	3/2013	Son et al.		D749,246 S	2/2016	Thole et al.	
D678,821 S	3/2013	Ikeda et al.		D749,249 S	2/2016	Thole et al.	
D680,909 S	4/2013	Munson et al.		D749,250 S	2/2016	Thole et al.	
D680,910 S	4/2013	David		D749,985 S	2/2016	Kozub et al.	
D684,899 S	6/2013	Baker		D749,997 S	2/2016	McMahan et al.	
D685,683 S *	7/2013	Shaw .....	D12/111	D750,001 S	2/2016	Thole et al.	
D686,536 S	7/2013	McCabe et al.		D753,032 S	4/2016	Smith et al.	
D692,798 S	11/2013	Thurber		D753,033 S	4/2016	Thole et al.	
D692,799 S	11/2013	Smith et al.		D753,034 S	4/2016	Thole et al.	
D694,156 S *	11/2013	Taipalus .....	D12/111	D753,035 S	4/2016	Boniface et al.	
D696,157 S	12/2013	Loeb		D753,559 S	4/2016	McMahan et al.	
D699,629 S	2/2014	Ikeda et al.		D753,560 S	4/2016	McMahan et al.	
D700,871 S	3/2014	O'Donnell et al.		D753,567 S	4/2016	Boniface et al.	
D701,472 S *	3/2014	Sostarsic .....	D12/111	D754,571 S	4/2016	Boniface et al.	
D703,103 S	4/2014	Lee		D754,572 S	4/2016	McMahan et al.	
D704,103 S	5/2014	Mack et al.		D755,088 S	5/2016	McMahan et al.	
D705,132 S	5/2014	Ware et al.		D756,869 S	5/2016	McMahan et al.	
D705,699 S	5/2014	Ware et al.		D758,271 S	6/2016	McMahan et al.	
8,746,148 B1 *	6/2014	Niedermeyer .....	B61B 7/02	D795,747 S *	8/2017	Bailie .....	D12/111
			104/117	2012/0043148 A1 *	2/2012	Brady .....	B60L 3/0069
							180/206.5
				2015/0060176 A1 *	3/2015	Paick .....	B62M 6/60
							180/208

\* cited by examiner

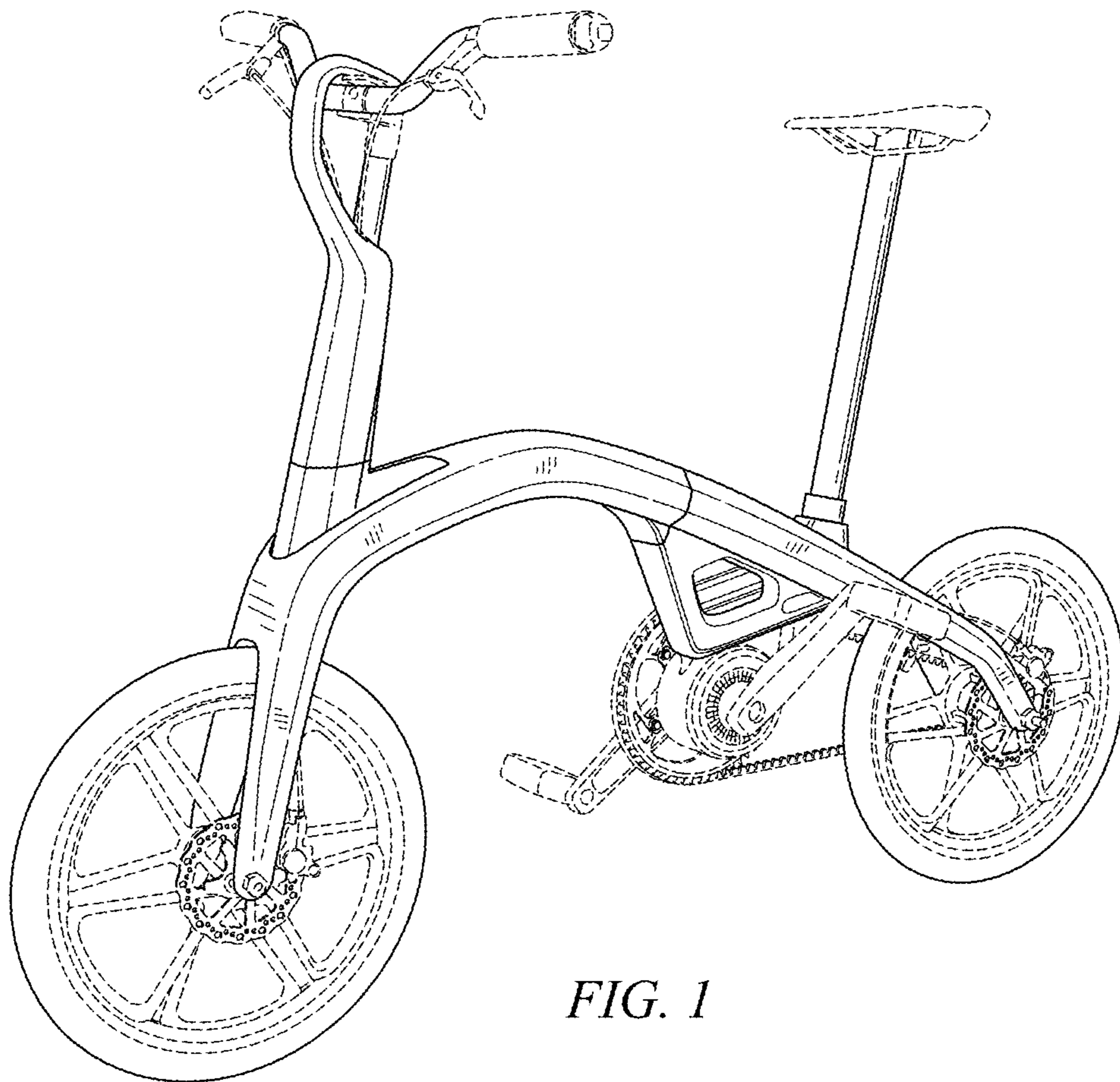


FIG. 1

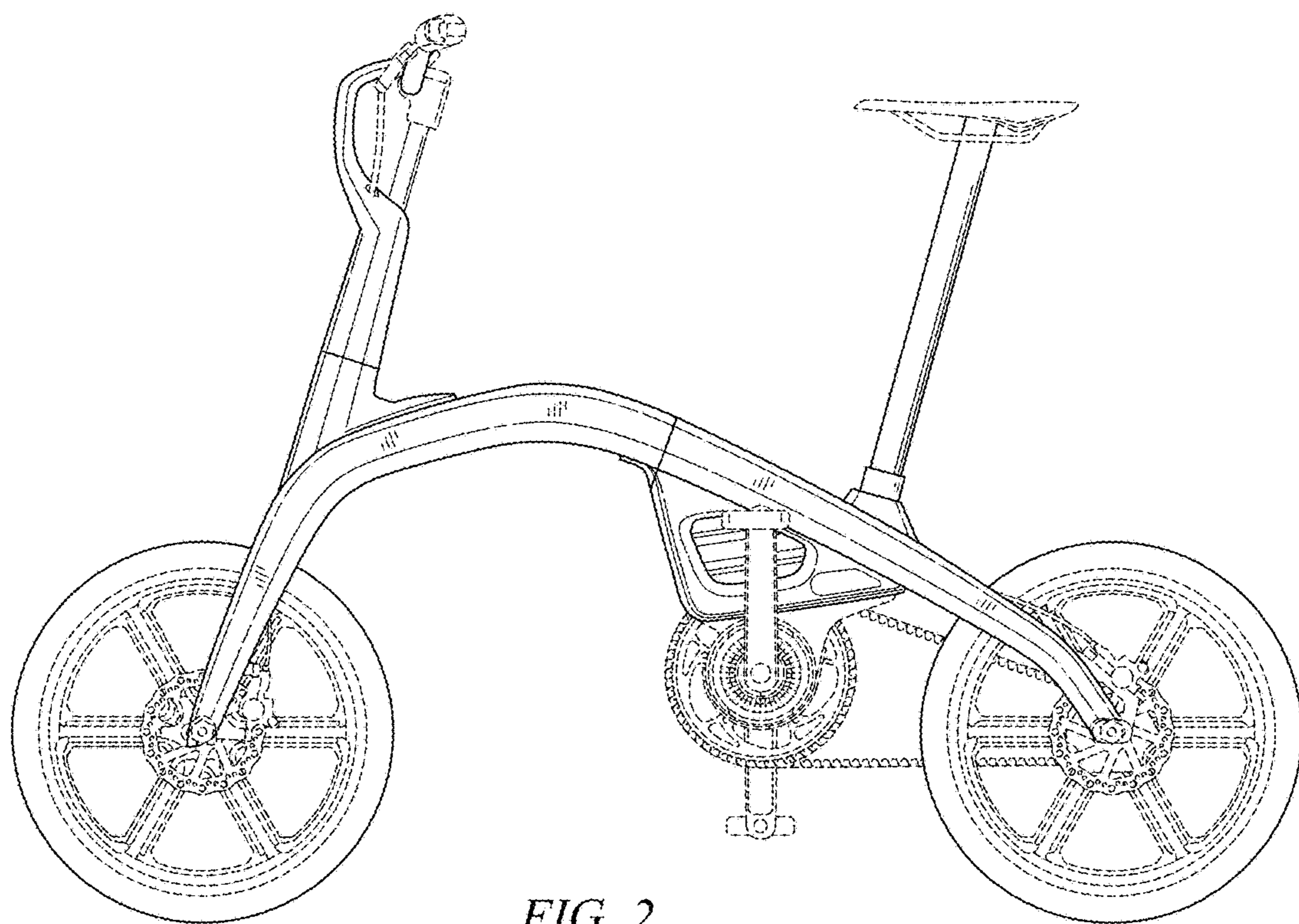


FIG. 2

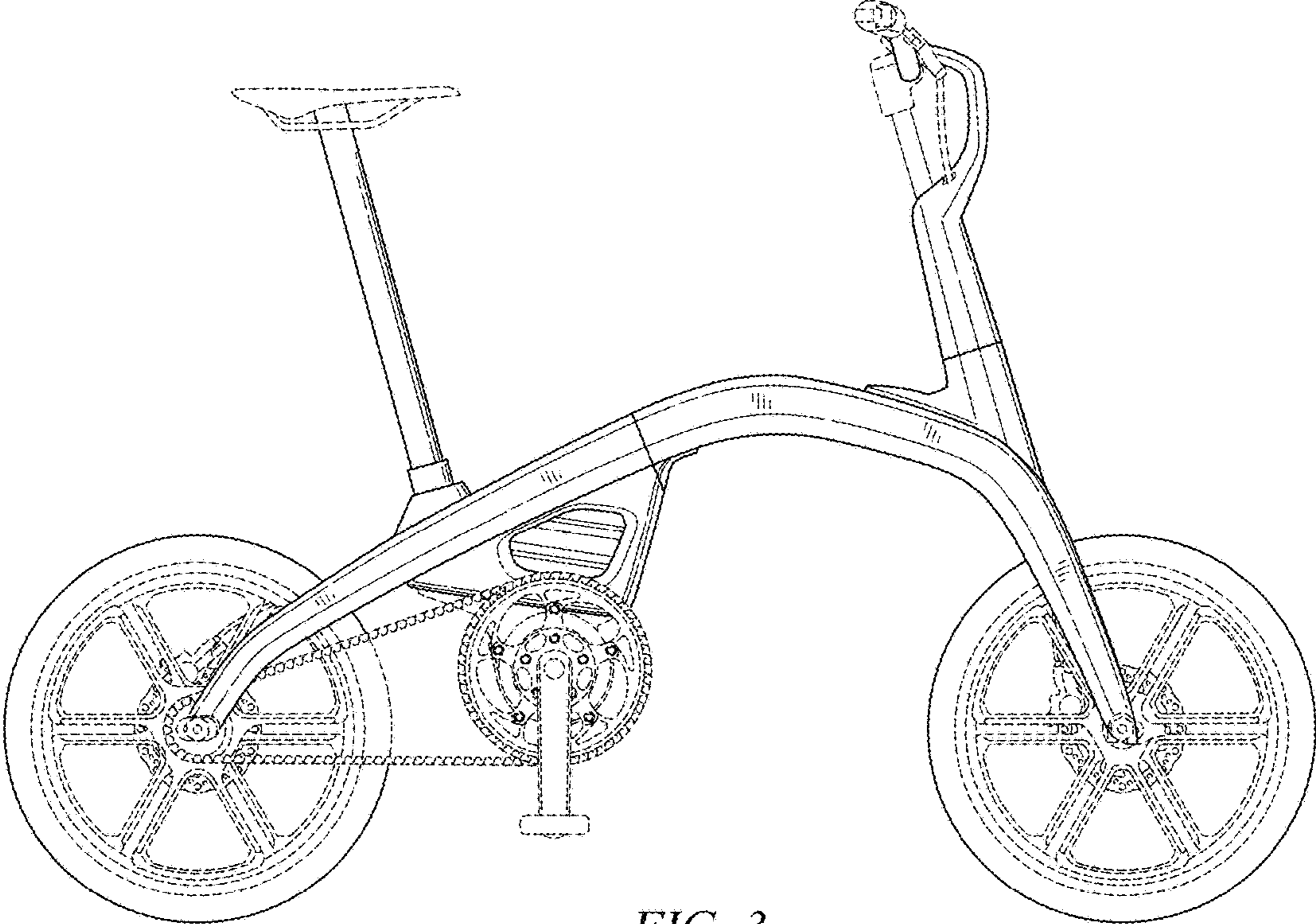
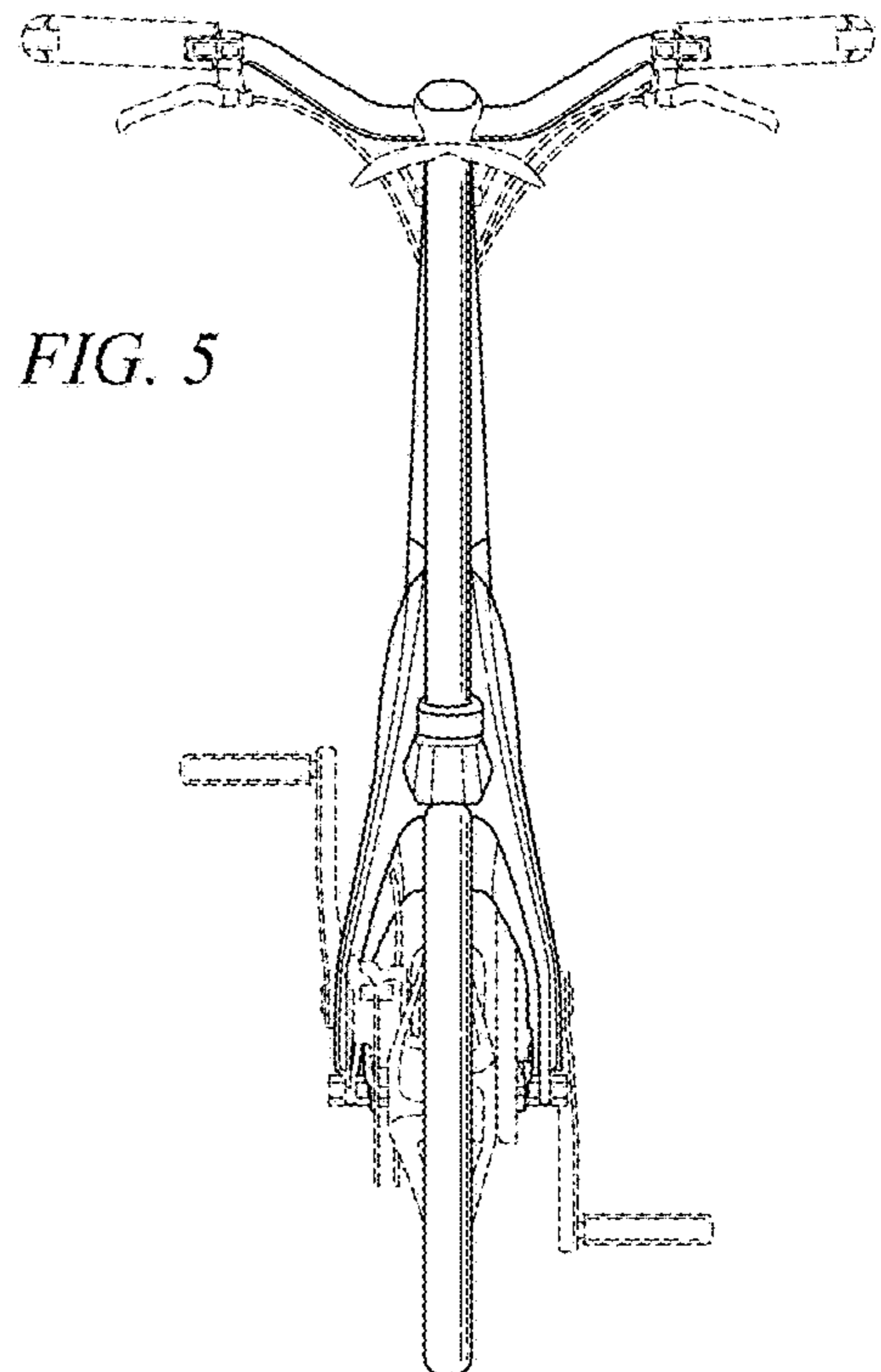
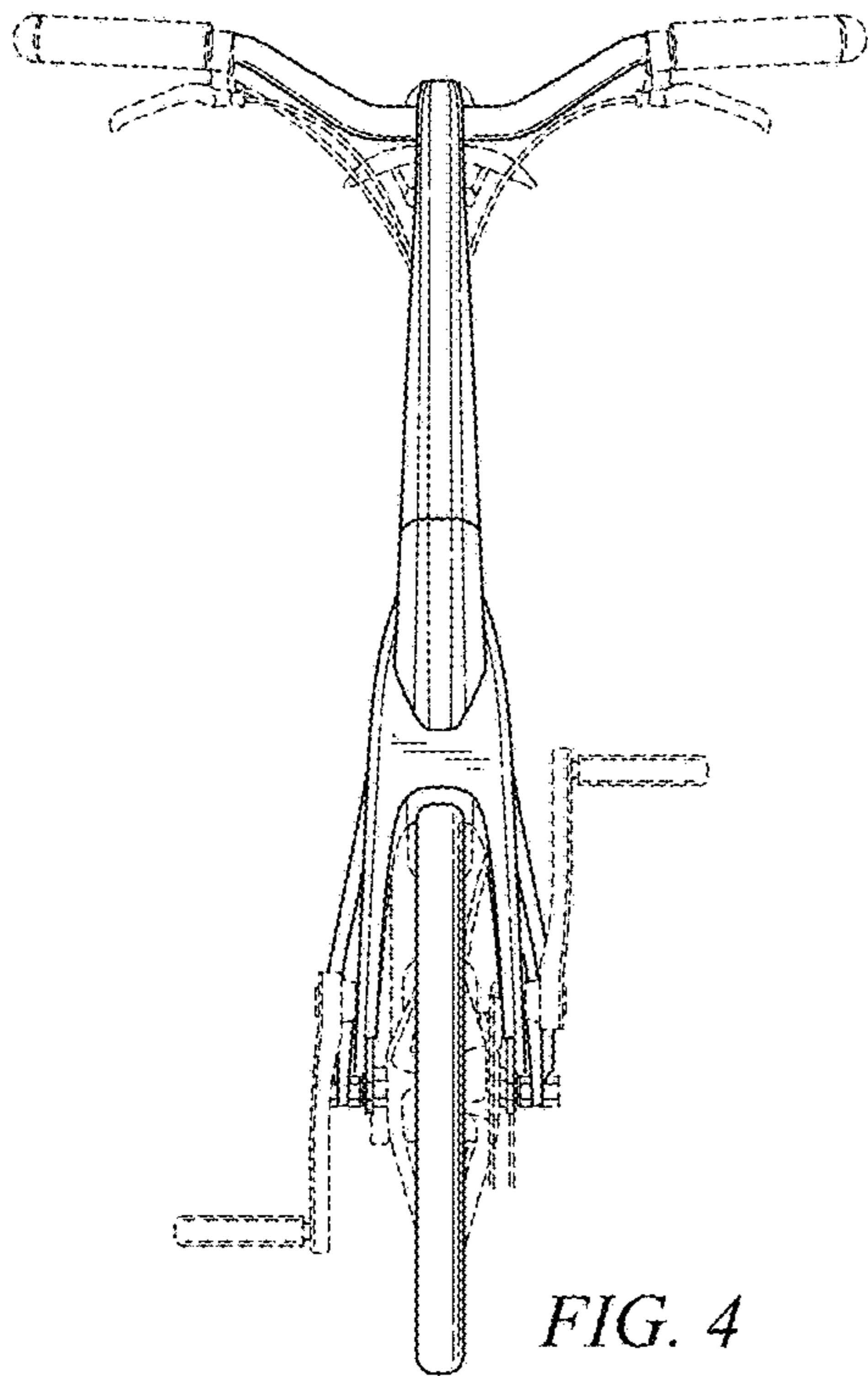


FIG. 3



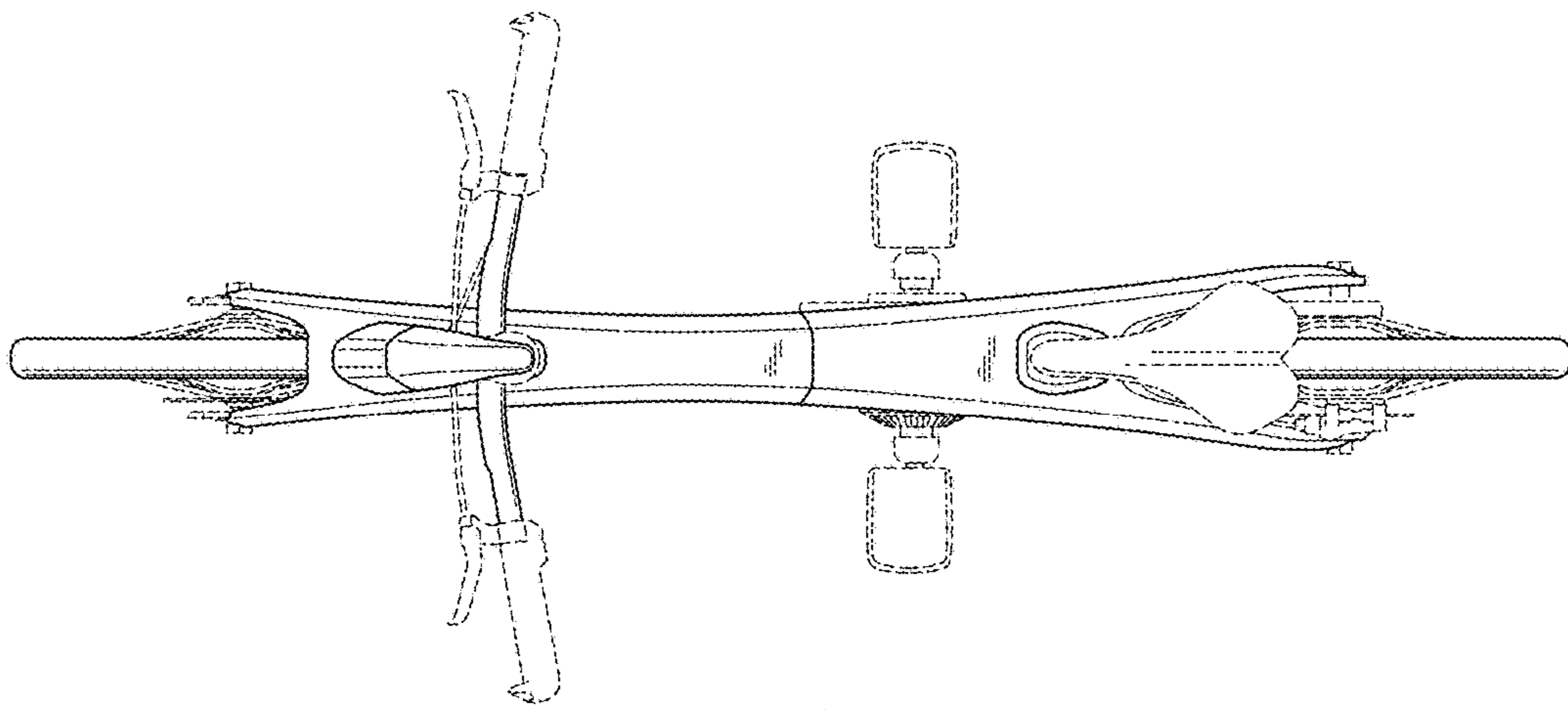


FIG. 6

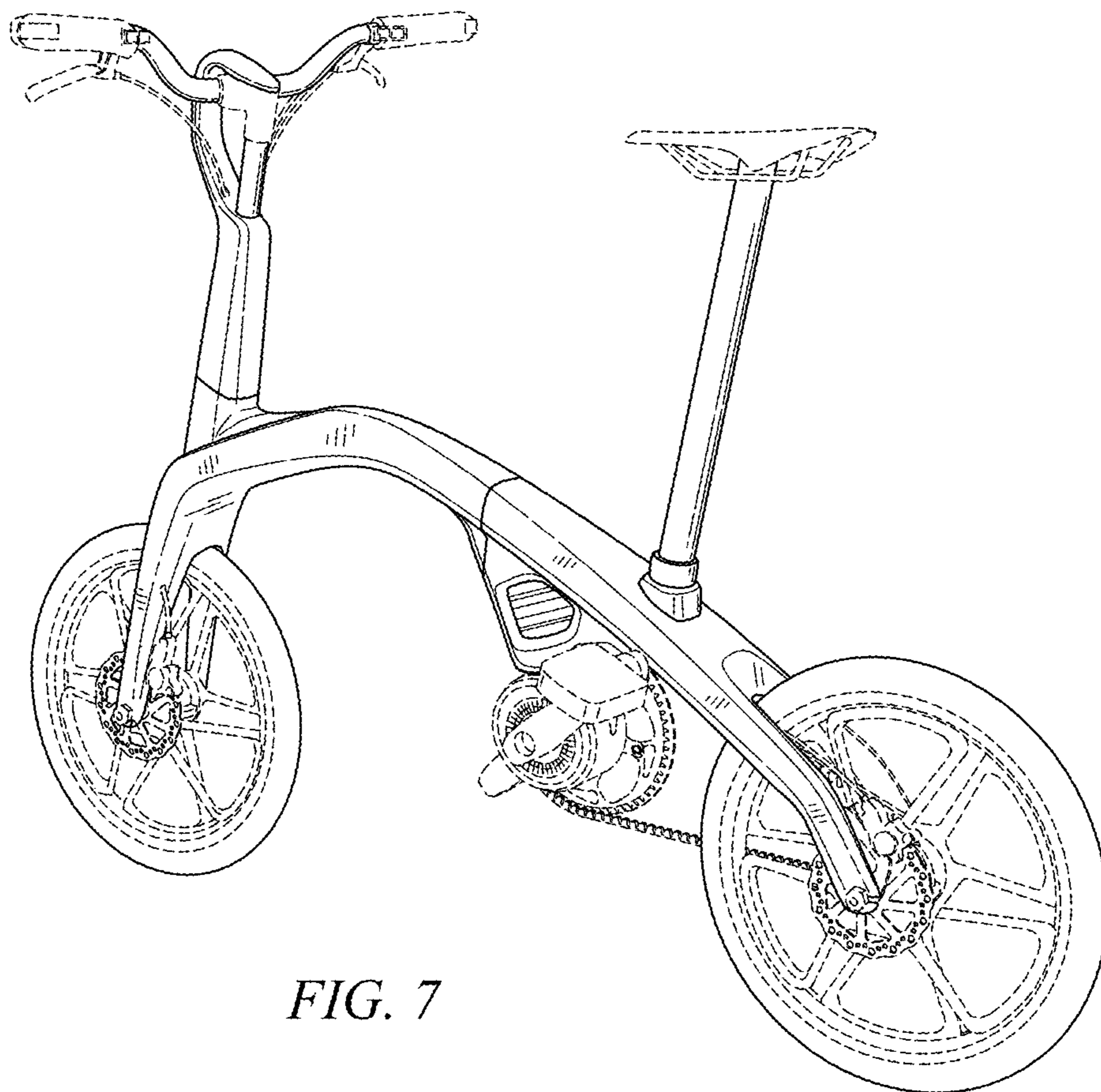


FIG. 7



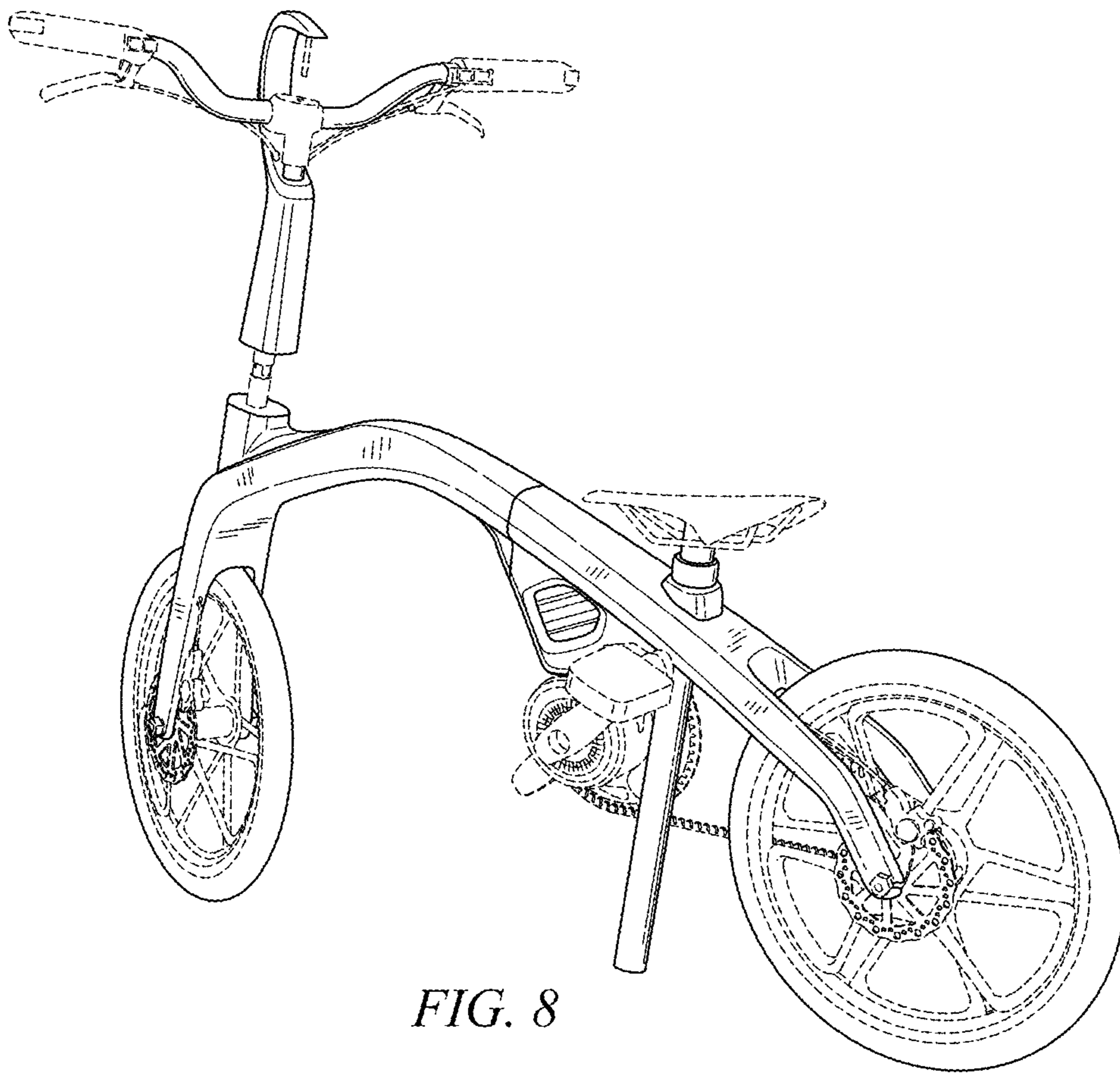


FIG. 8

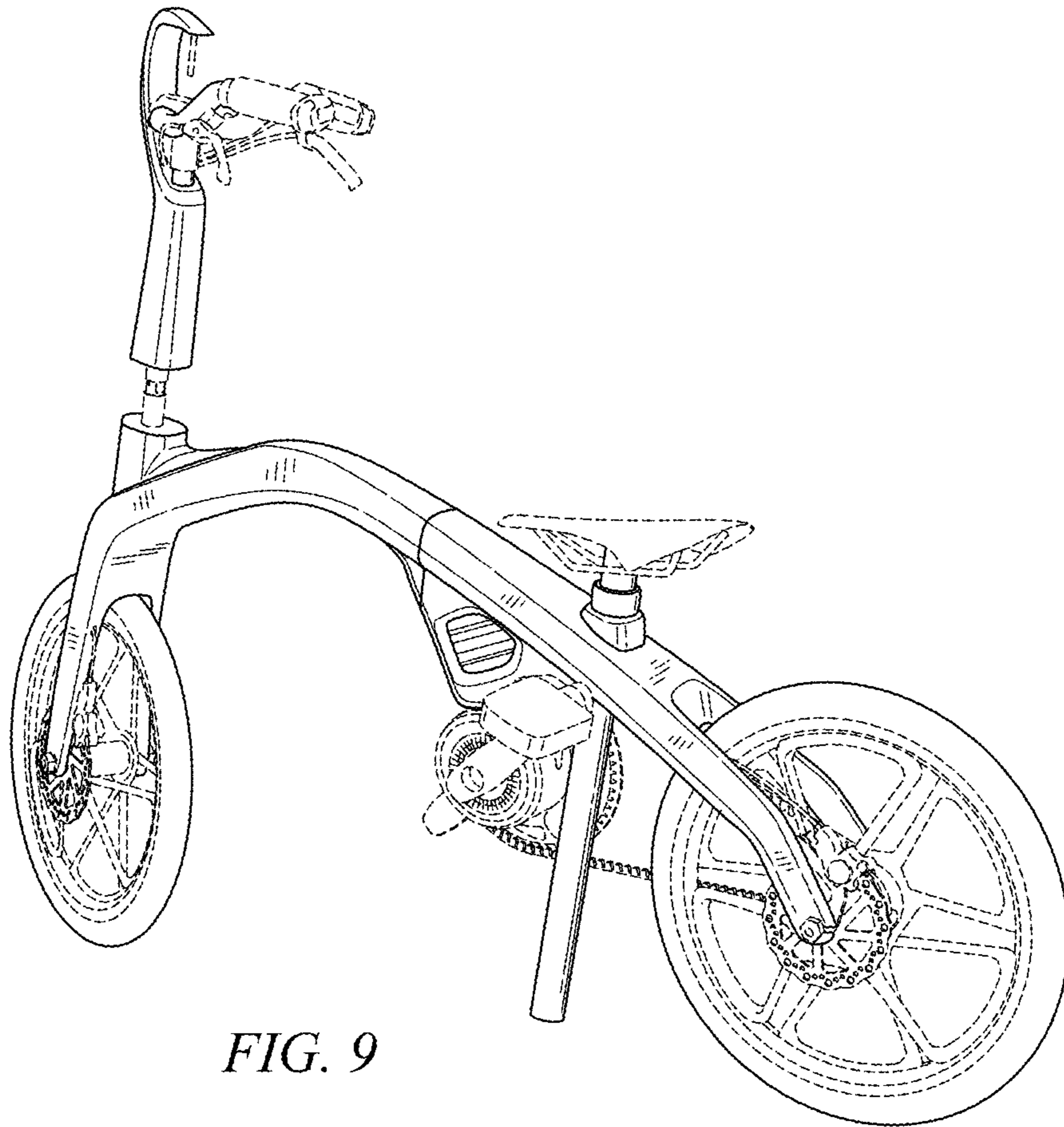


FIG. 9

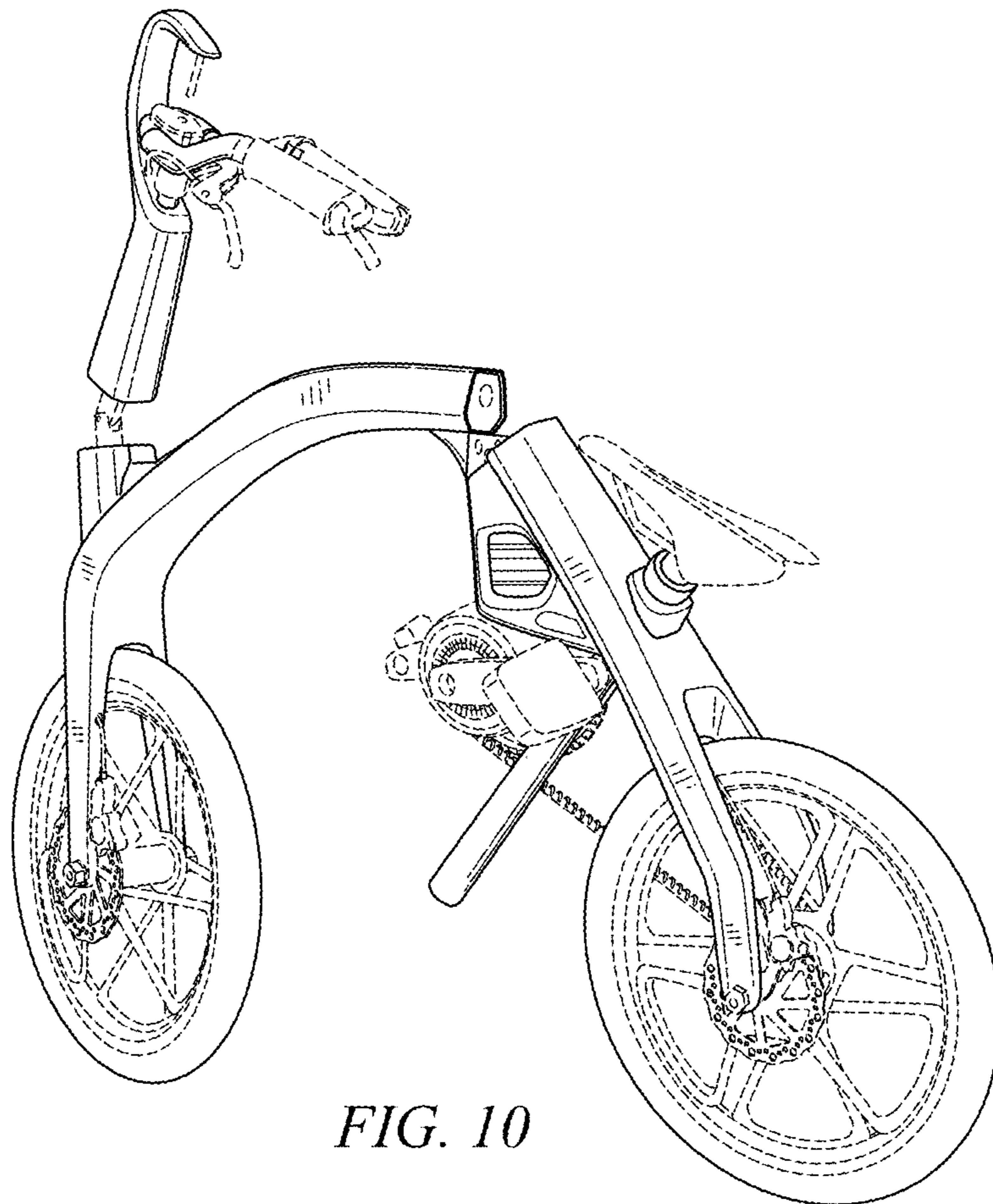


FIG. 10

