



US00D807226S

(12) **United States Design Patent** (10) **Patent No.:** **US D807,226 S**  
**Wessel et al.** (45) **Date of Patent:** **\*\* Jan. 9, 2018**

(54) **INCENSE BURNER**

(71) Applicant: **TENNEN LLC**, Phoenix, AZ (US)  
(72) Inventors: **Ethan Christopher Wessel**, Phoenix, AZ (US); **Sarah Melinda Wessel**, Phoenix, AZ (US)  
(73) Assignee: **TENNEN LLC**, Phoenix, AZ (US)  
(\*\*) Term: **15 Years**  
(21) Appl. No.: **29/577,077**  
(22) Filed: **Sep. 9, 2016**  
(51) **LOC (11) Cl.** ..... **11-02**  
(52) **U.S. Cl.**  
USPC ..... **D11/131.1**  
(58) **Field of Classification Search**  
USPC .... D11/131.1; D23/300, 314, 325, 332–336, D23/342, 351, 352, 355–369, 370, D23/386–388  
CPC . A24F 15/18; A61L 9/03; A61L 9/122; F21V 33/0012; F22B 1/284  
See application file for complete search history.

(56) **References Cited**

**U.S. PATENT DOCUMENTS**

D328,946 S	*	8/1992	Havrilla	.....	D23/365
D464,129 S	*	10/2002	Xu	.....	D23/365
D493,874 S	*	8/2004	Woods	.....	D23/364
D681,791 S	*	5/2013	Jorgensen	.....	D23/366
D708,728 S	*	7/2014	Yoo	.....	D23/364
D716,427 S	*	10/2014	Lim	.....	D23/364

**OTHER PUBLICATIONS**

Tennen Tall Cylinder Burner found online [Jun. 27, 2017]—<http://tennen.us/burners/tall-cylinder-burner-polished-nickel>.  
\* cited by examiner  
*Primary Examiner* — Robert M Spear  
*Assistant Examiner* — John Voytek  
(74) *Attorney, Agent, or Firm* — Greenberg Traurig LLP

(57) **CLAIM**

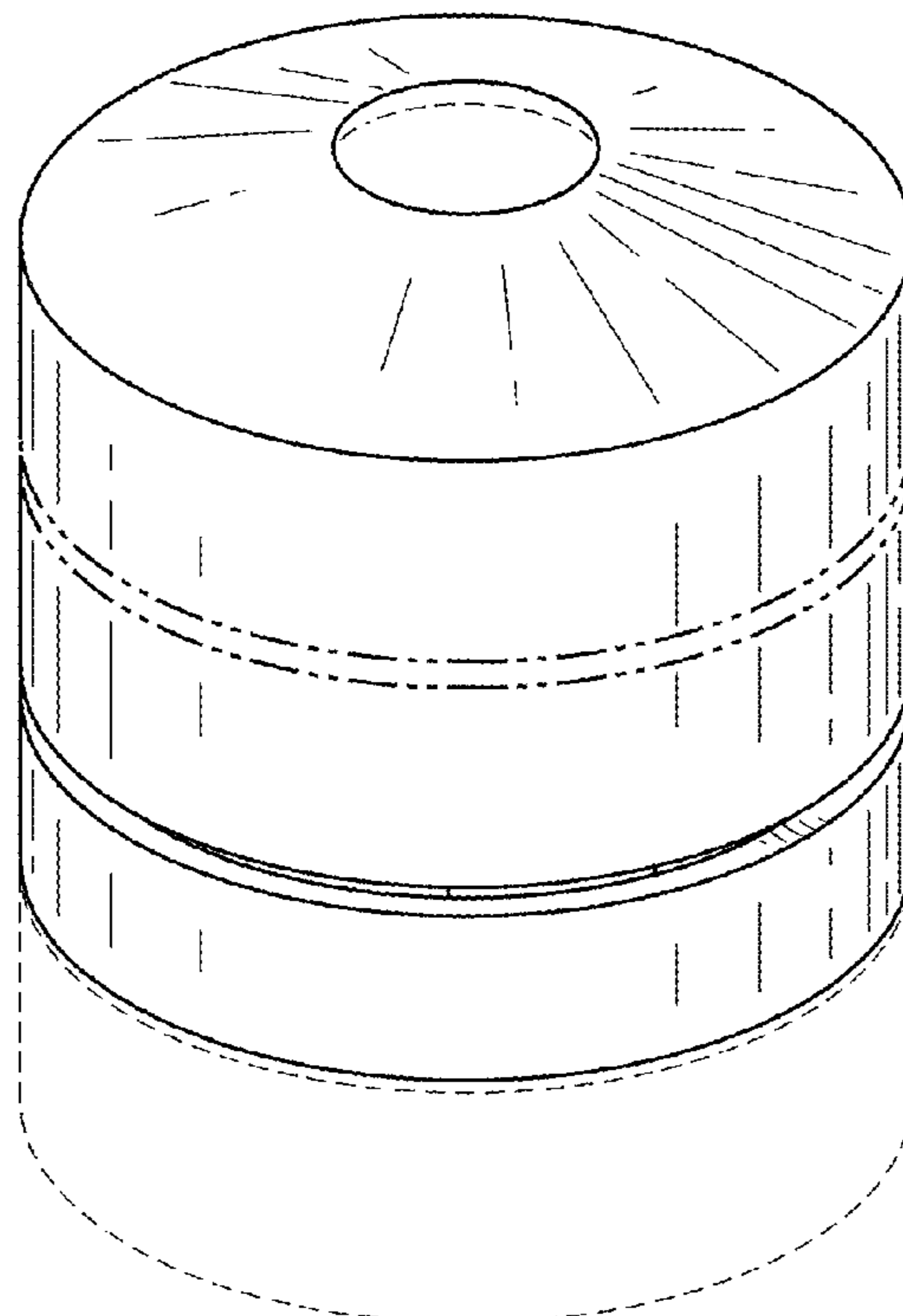
We claim the ornamental design for an incense burner, as shown and described.

**DESCRIPTION**

FIG. 1 is a perspective view of an incense burner; FIG. 2 is a front view of the incense burner of FIG. 1; FIG. 3 is a rear view of the incense burner of FIG. 1; FIG. 4 is a side view of the incense burner of FIG. 1; FIG. 5 is a side view of the incense burner of FIG. 1; FIG. 6 is a top side view of the incense burner of FIG. 1; and, FIG. 7 is a bottom side view of the incense burner of FIG. 1.

In the drawings, the broken lines depict environmental subject matter only and form no part of the claimed design. The incense burner is shown with a symbolic break in its length, with dash/dot/dot/dash lines indicating boundaries of the claim. The appearance of any portion of the article between the break lines forms no part of the claimed design.

**1 Claim, 4 Drawing Sheets**



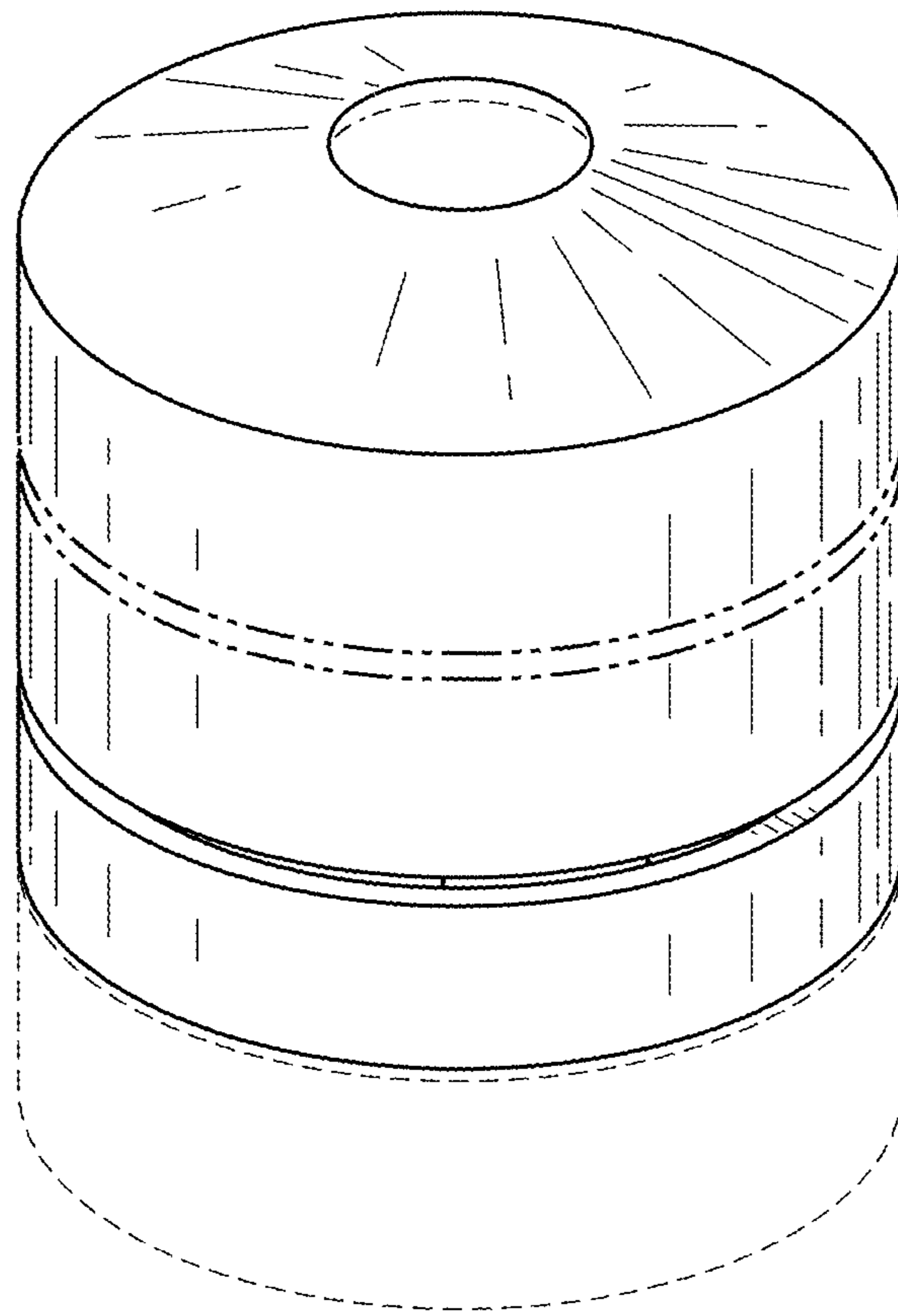


FIG. 1

FIG. 2

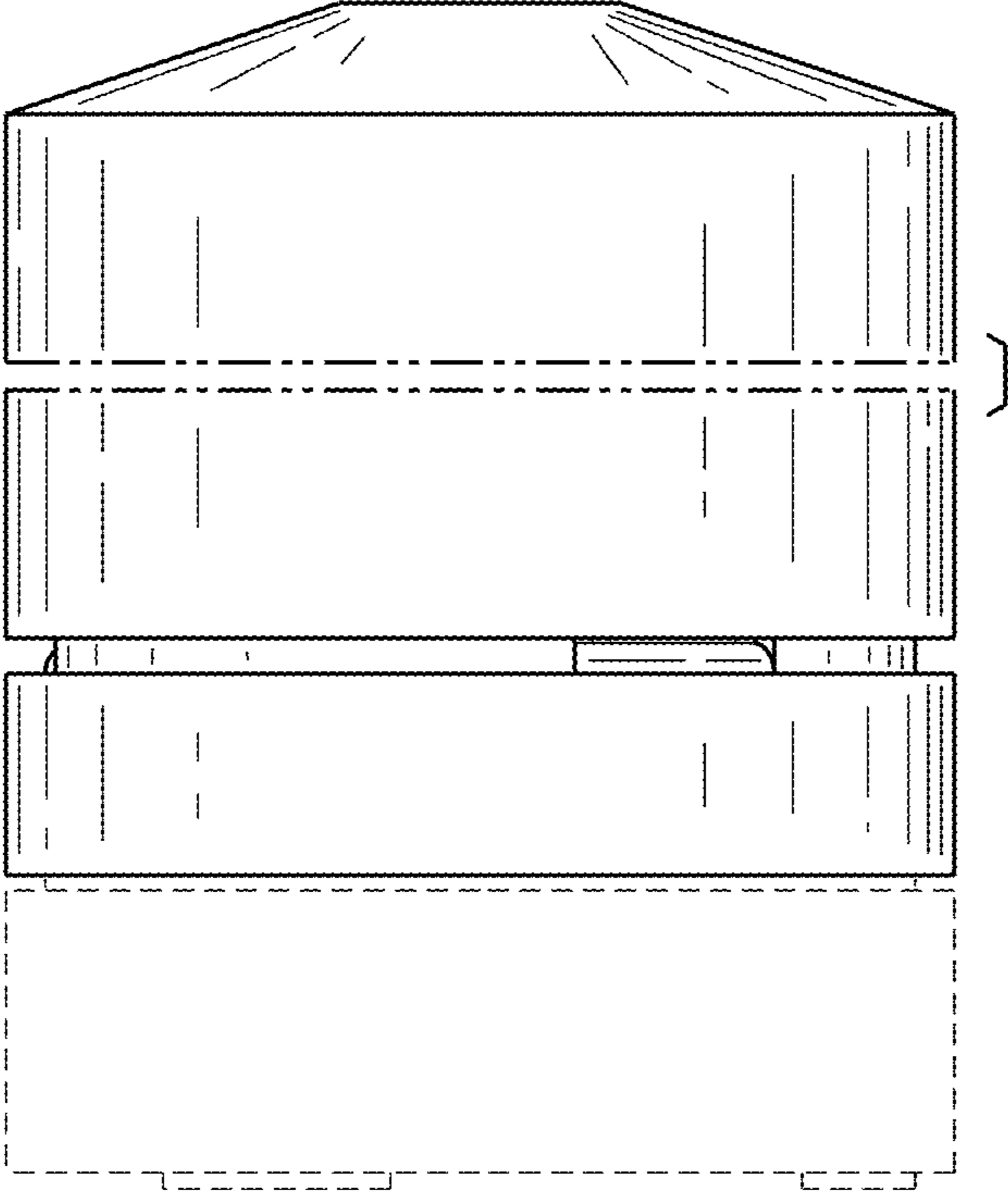


FIG. 3

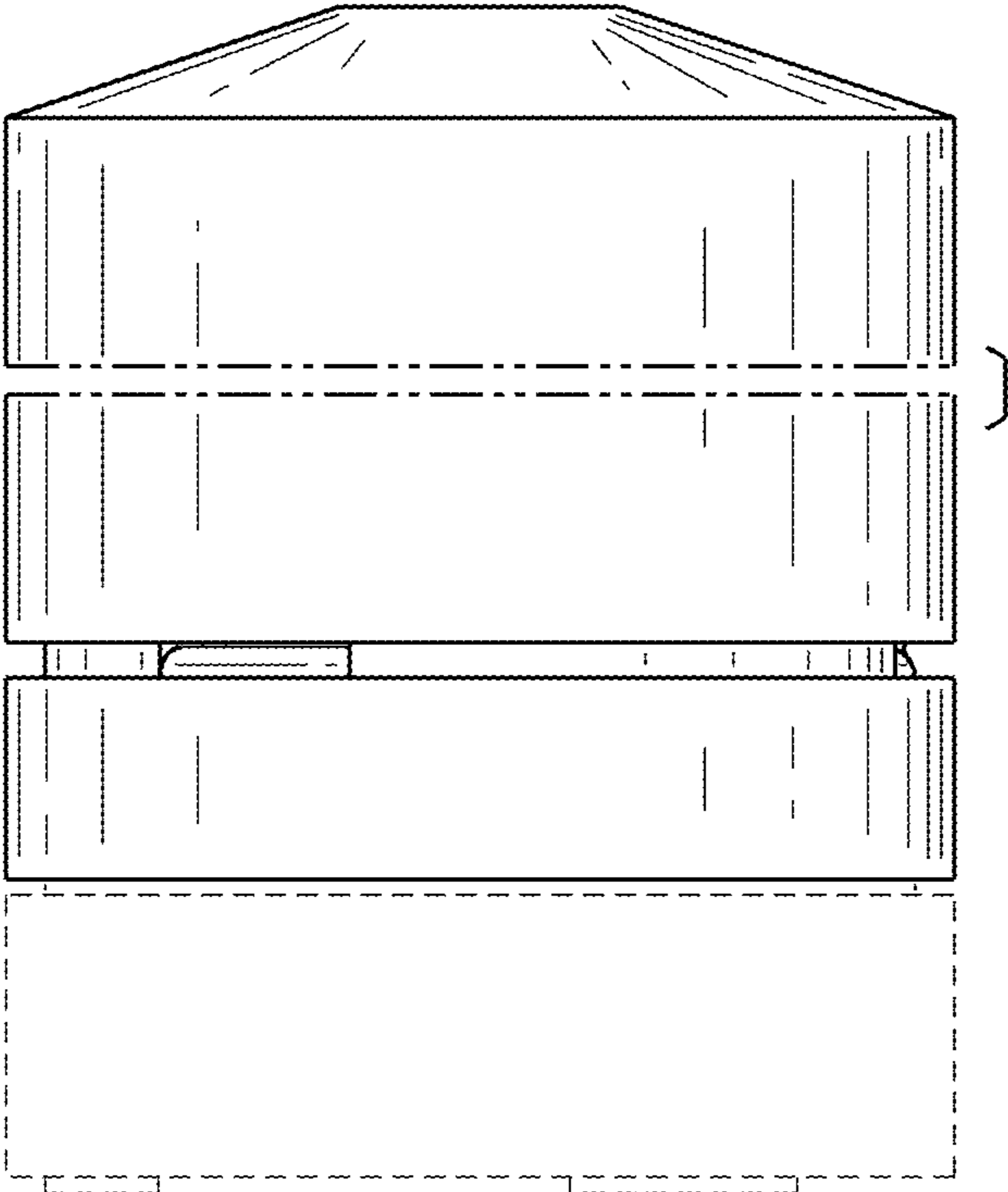


FIG. 4

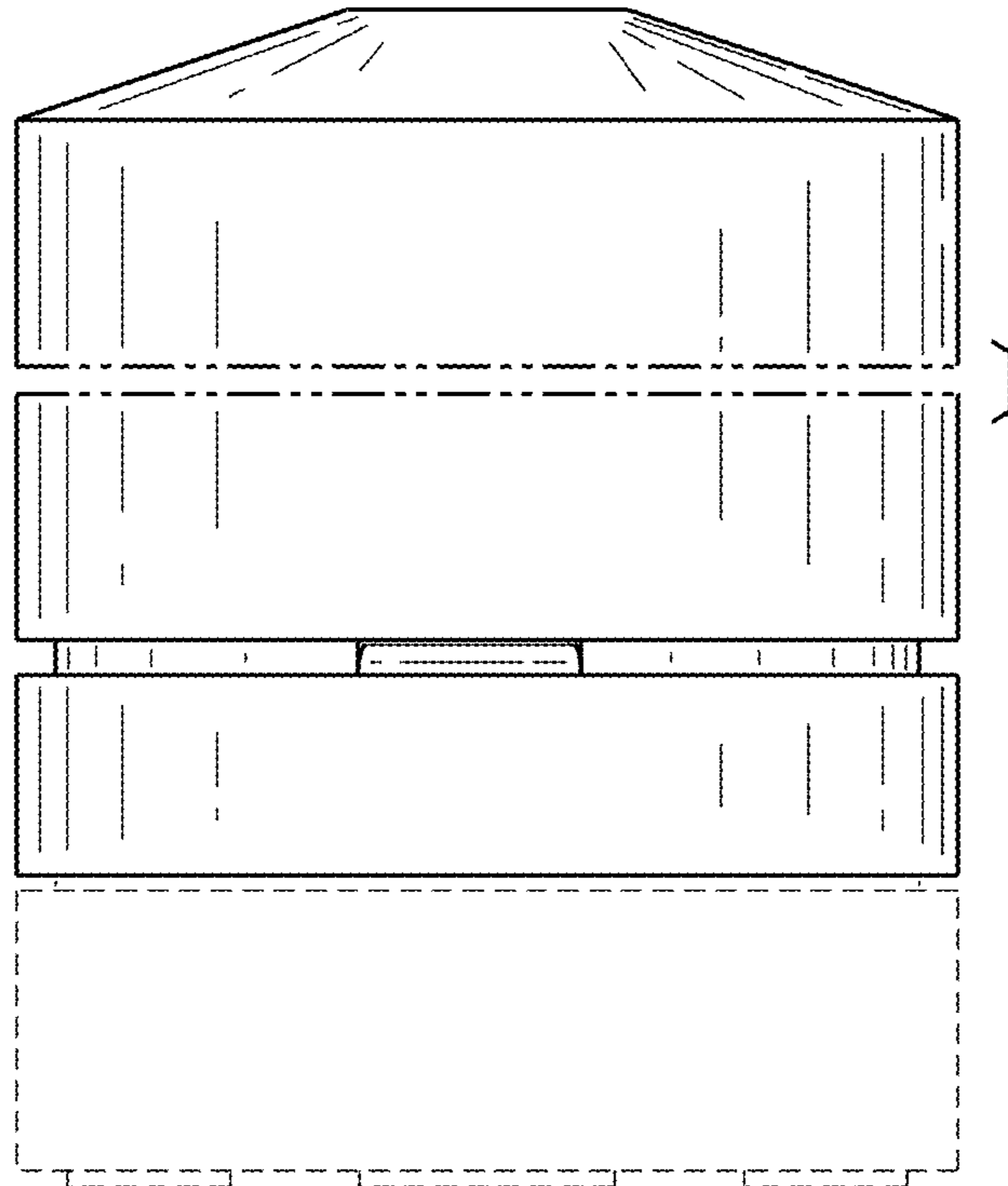
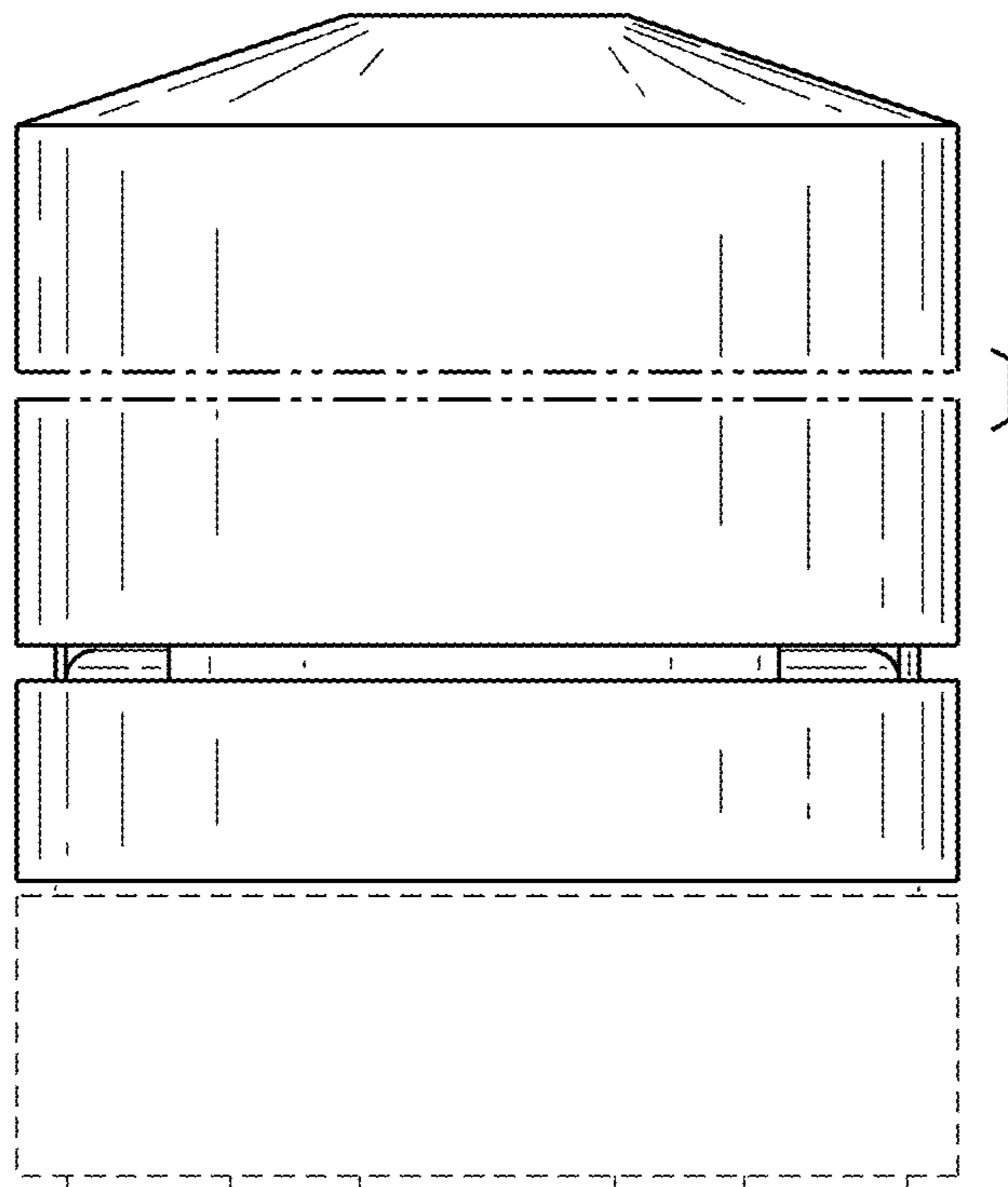


FIG. 5



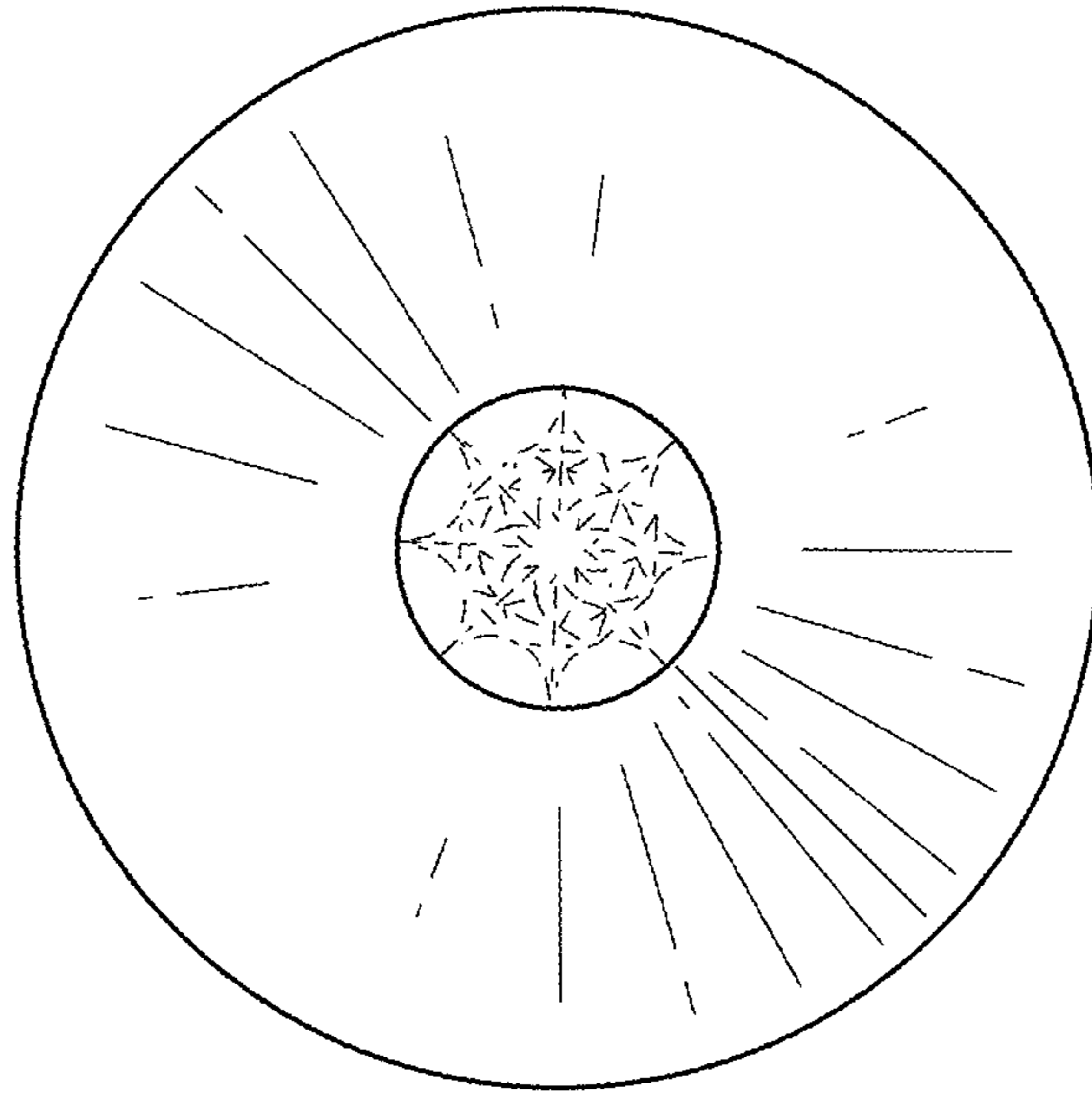


FIG. 6

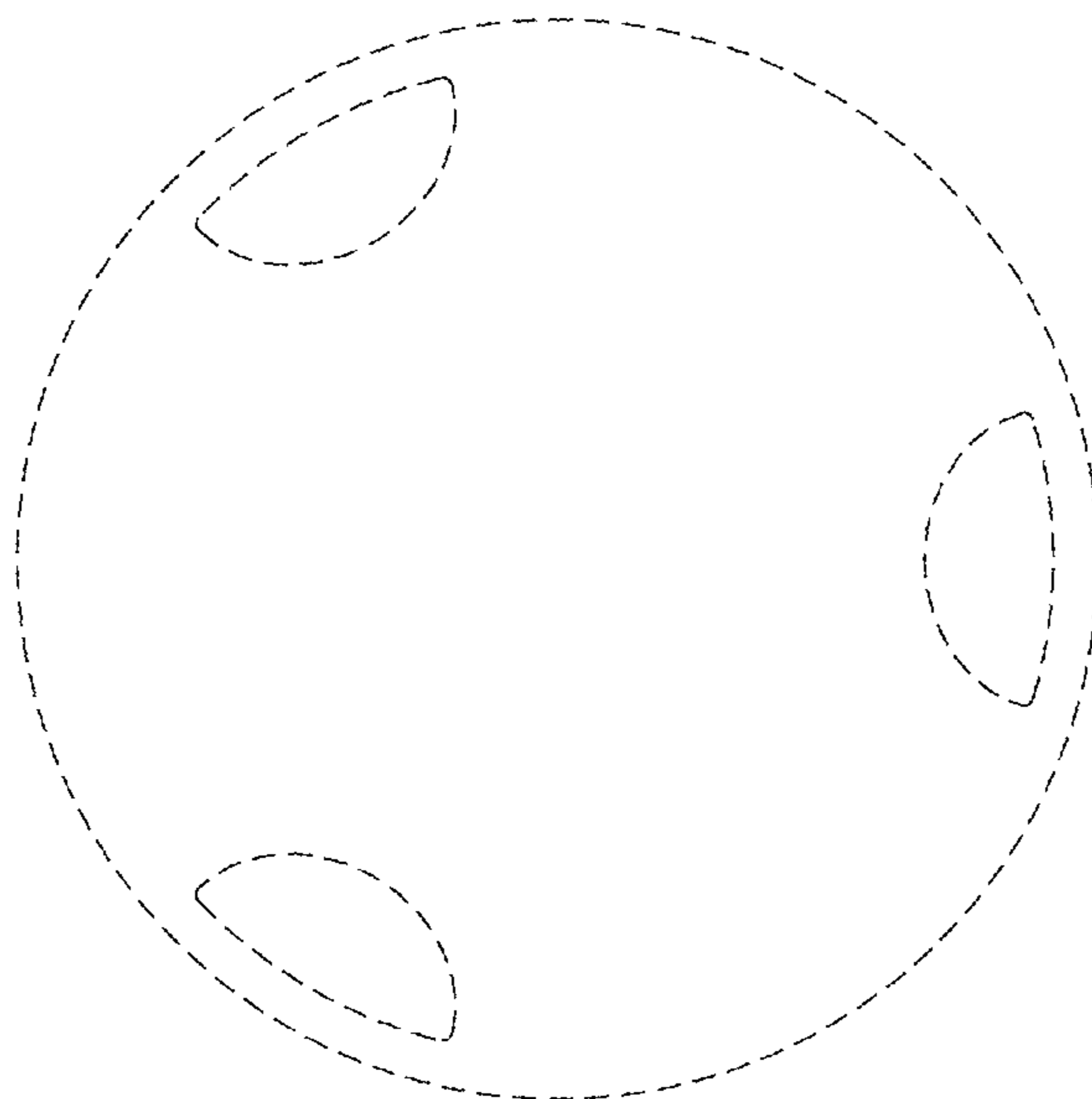


FIG. 7