



US00D807225S

(12) **United States Design Patent**
Zhao

(10) **Patent No.:** **US D807,225 S**
(45) **Date of Patent:** **** Jan. 9, 2018**

- (54) **TREE STAND**
- (71) Applicant: **NINGBO FLYING-HORSE INTERNATIONAL TRADE CO., LTD**, Ningbo (CN)
- (72) Inventor: **Honghua Zhao**, Ningbo (CN)
- (73) Assignee: **Ningbo Flying-Horse International Trade Co., Ltd.**, Ningbo (CN)
- (**) Term: **15 Years**
- (21) Appl. No.: **29/585,396**
- (22) Filed: **Nov. 23, 2016**
- (51) **LOC (11) Cl.** **06-99**
- (52) **U.S. Cl.**
USPC **D11/130.1**
- (58) **Field of Classification Search**
USPC ... D11/117, 121, 130, 130.1, 131, 143, 144, D11/152, 153, 154; 428/7, 8, 9, 12, 15, 428/19, 20; 248/519, 523-526; 47/39, 47/40.5, 41.01, 41.1, 41.11-41.15, 42, 43
CPC . E04H 12/2238; E04H 12/2246; A47G 33/12; A47G 33/1206; A47G 33/1213; A47G 33/1226; A47G 33/1246; A47G 33/126
See application file for complete search history.

D232,791 S *	9/1974	Schultz	D11/130.1
3,838,838 A *	10/1974	Seaman, Jr.	A47G 33/12 248/188.7
D329,208 S *	9/1992	Bowling	D11/130.1
D330,875 S *	11/1992	Boucher	D11/130.1
D370,185 S *	5/1996	Grimm	D11/130.1
D374,195 S *	10/1996	Wright	D11/130.1
D381,598 S *	7/1997	Roberts	D11/130.1
D382,227 S *	8/1997	Adams	D11/130.1
D418,082 S *	12/1999	Baumann	D11/130.1
D451,839 S *	12/2001	Pomeroy	D11/130.1
D480,014 S *	9/2003	Goerke	D11/130.1
D497,832 S *	11/2004	Glover	D11/130.1
D498,172 S *	11/2004	Verni	D11/130.1
D543,895 S *	6/2007	Bolster	D11/117
D572,167 S *	7/2008	Boucher	D11/130
D575,188 S *	8/2008	Bycraft	D11/130
D676,353 S *	2/2013	Bycraft	D11/130.1

* cited by examiner

Primary Examiner — Elizabeth J Oswecki
(74) *Attorney, Agent, or Firm* — Schmeiser, Olsen & Watts LLP

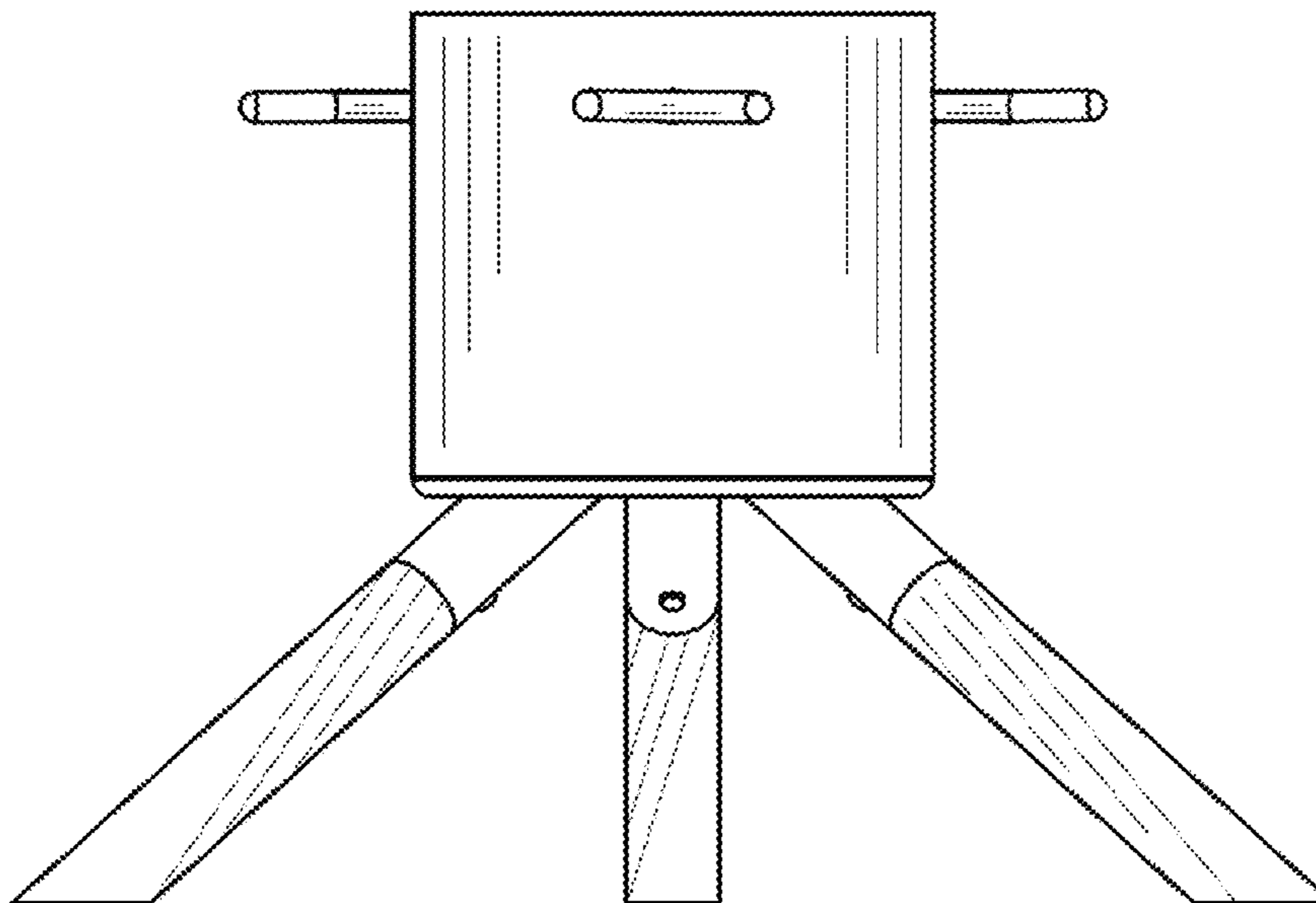
(57) **CLAIM**

The ornamental design for a tree stand, as shown and described.

DESCRIPTION

FIG. 1 is a front elevational view of a tree stand showing my new design;
FIG. 2 is a rear elevational view thereof;
FIG. 3 is a left side elevational view thereof;
FIG. 4 is a right side elevational view thereof;
FIG. 5 is a top plan view thereof;
FIG. 6 is a bottom plan view thereof; and,
FIG. 7 is a perspective view thereof.

1 Claim, 7 Drawing Sheets



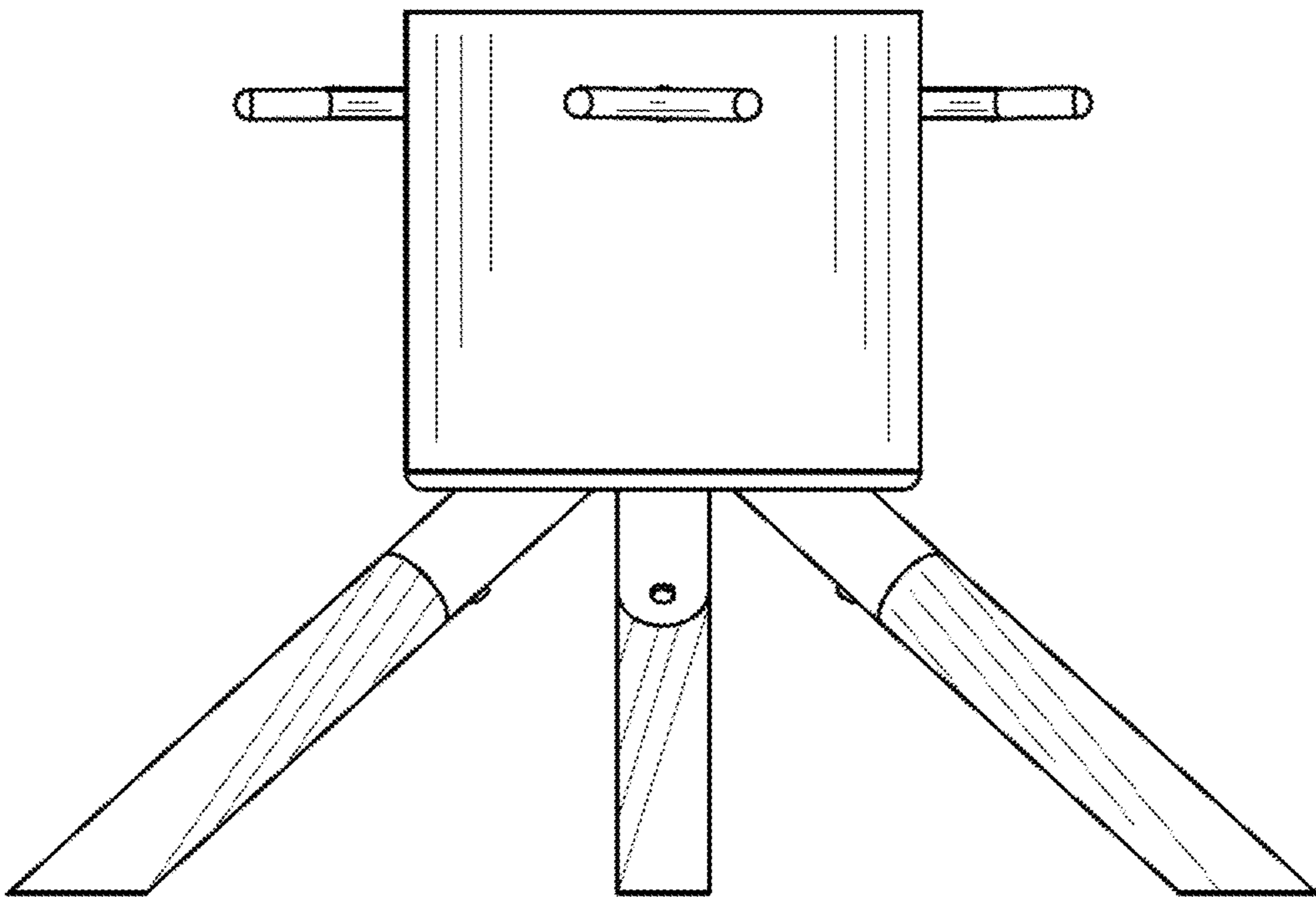


Figure 1

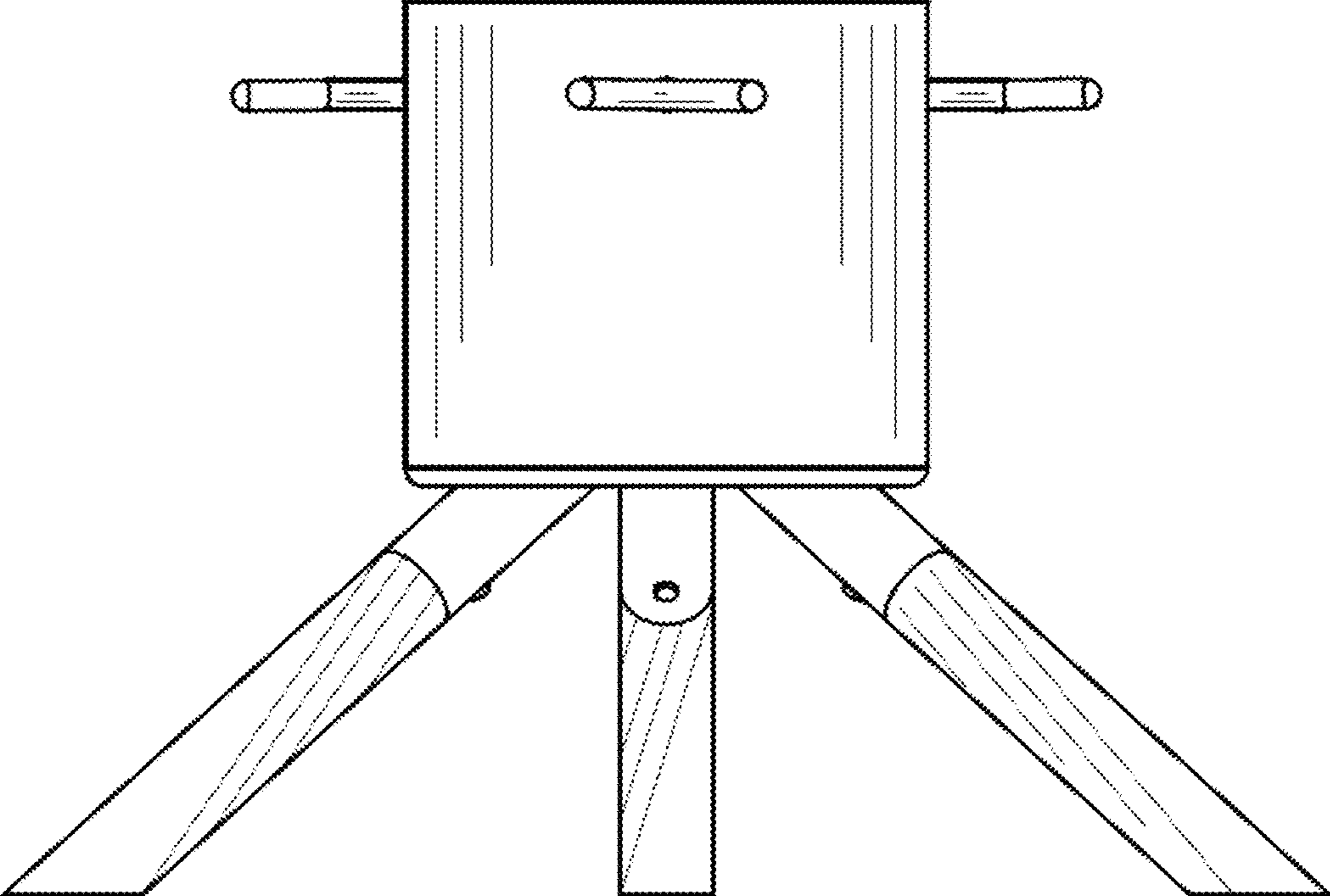


Figure 2

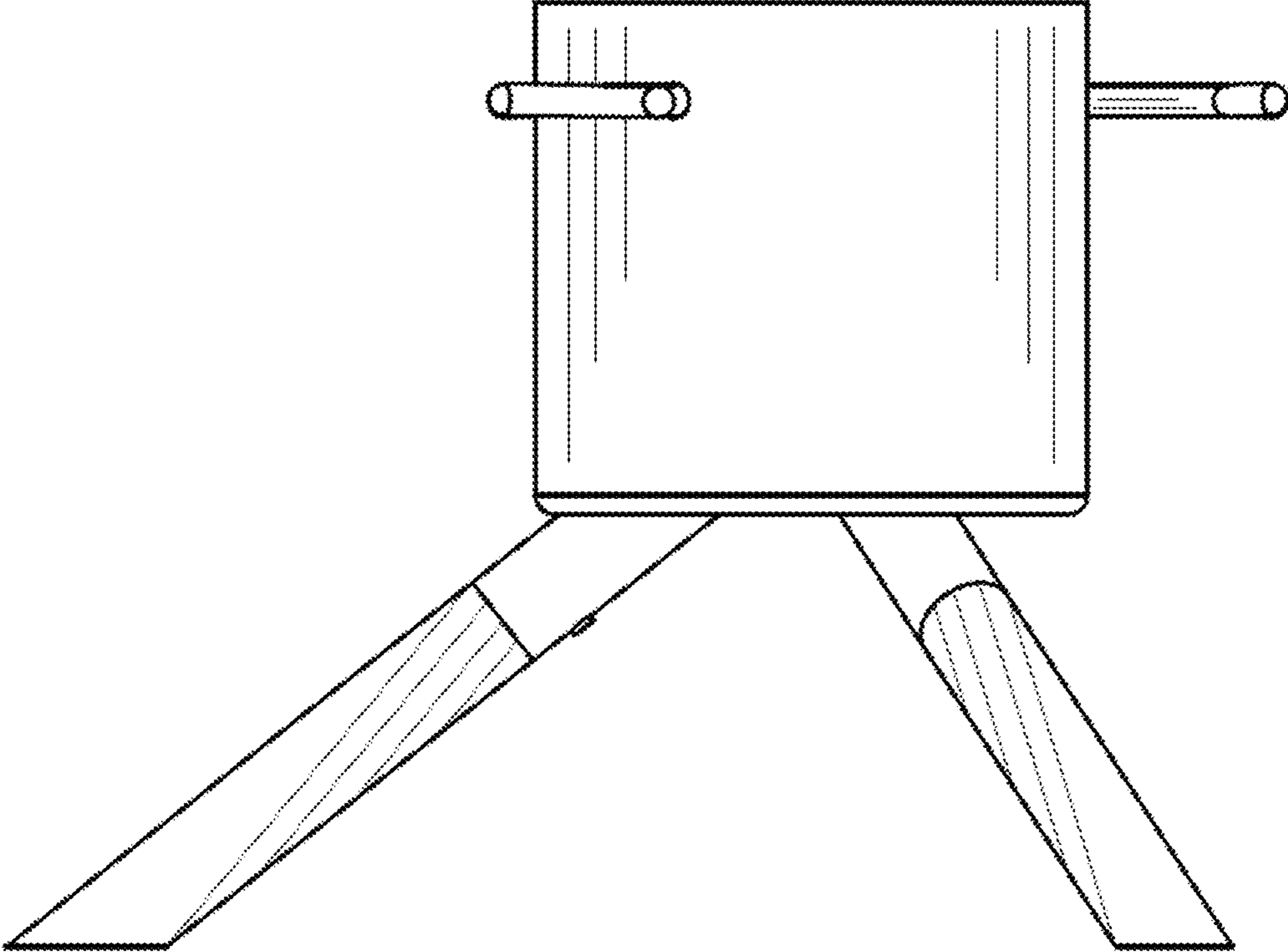


Figure 3

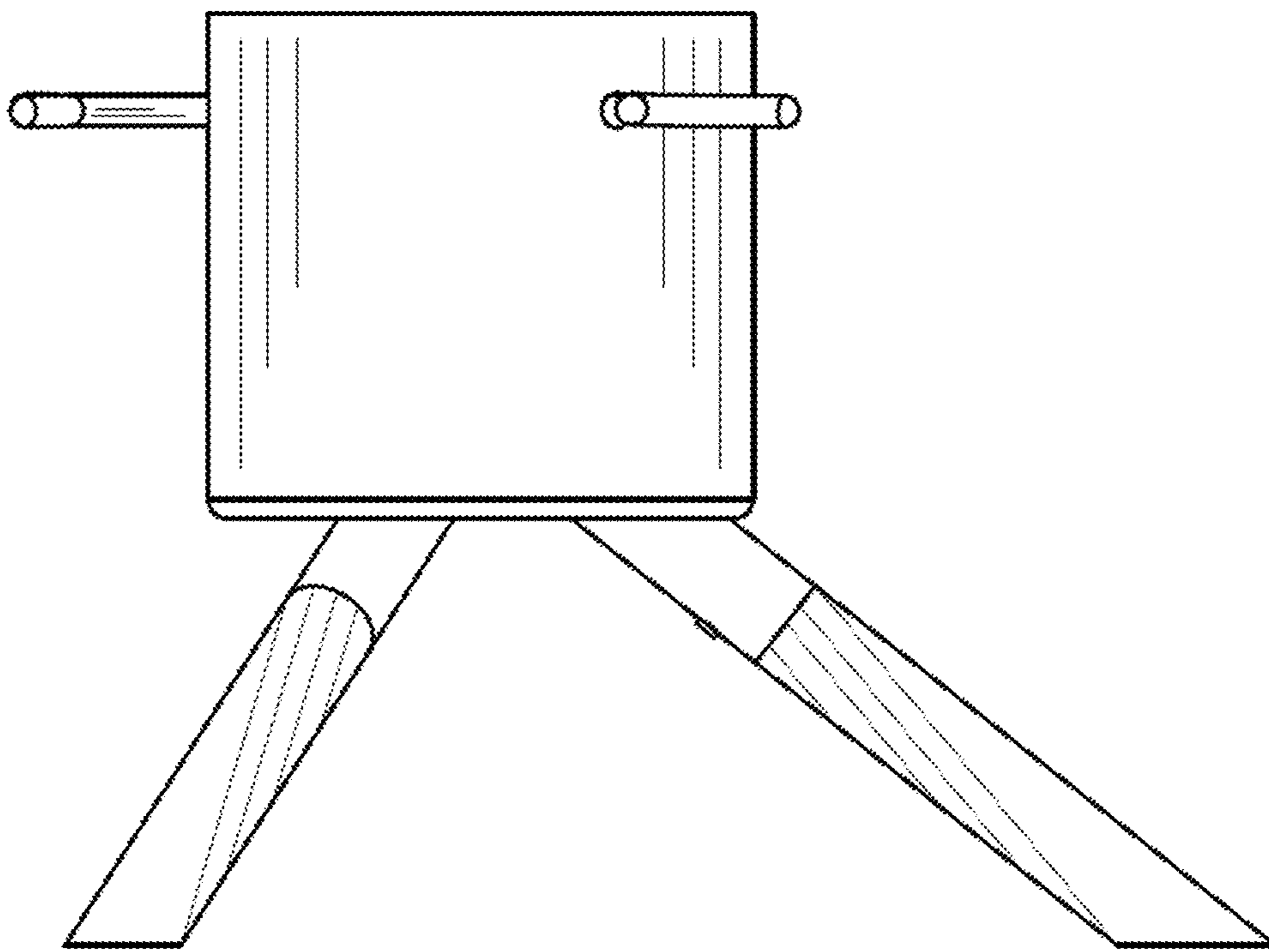


Figure 4

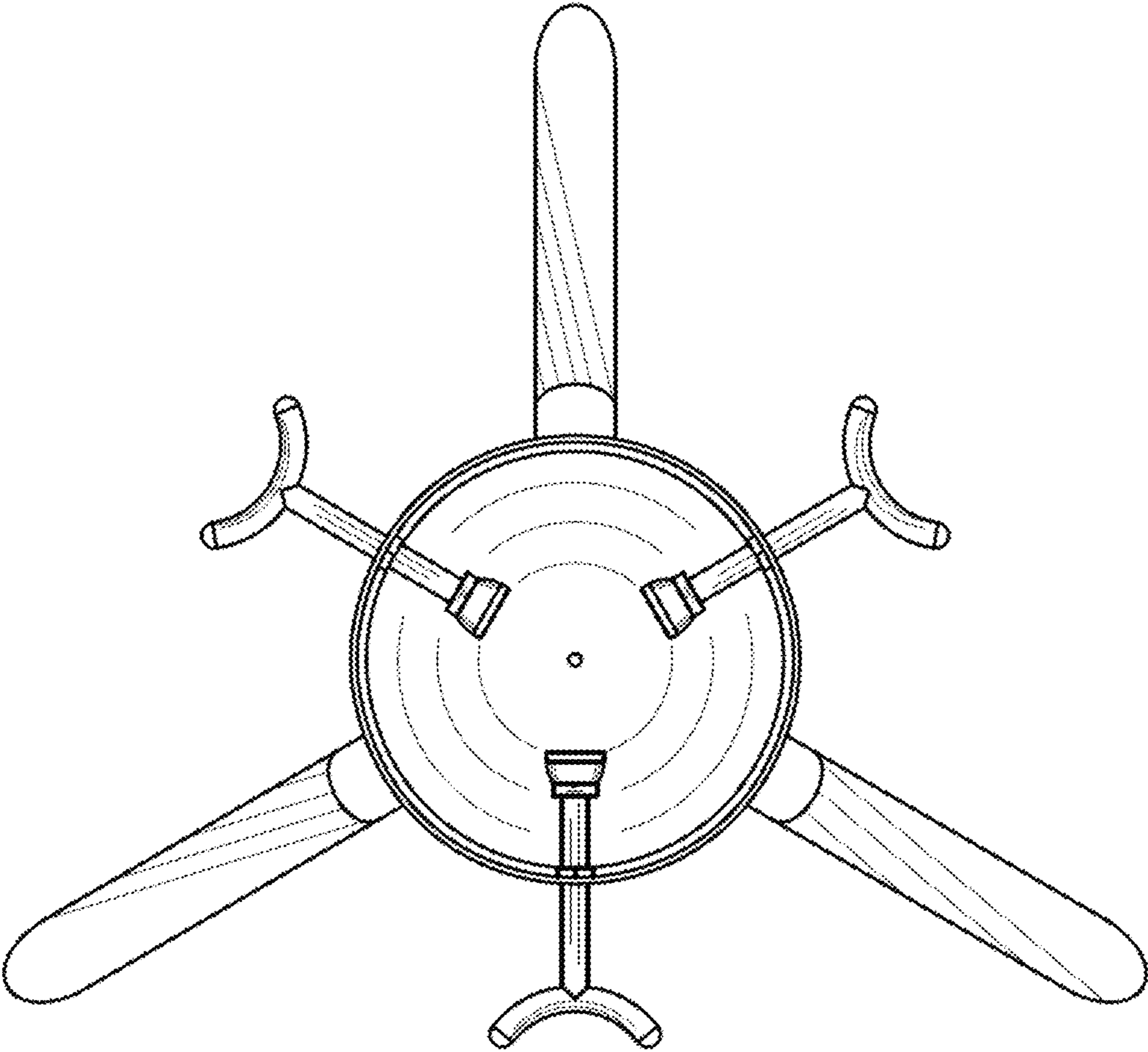


Figure 5

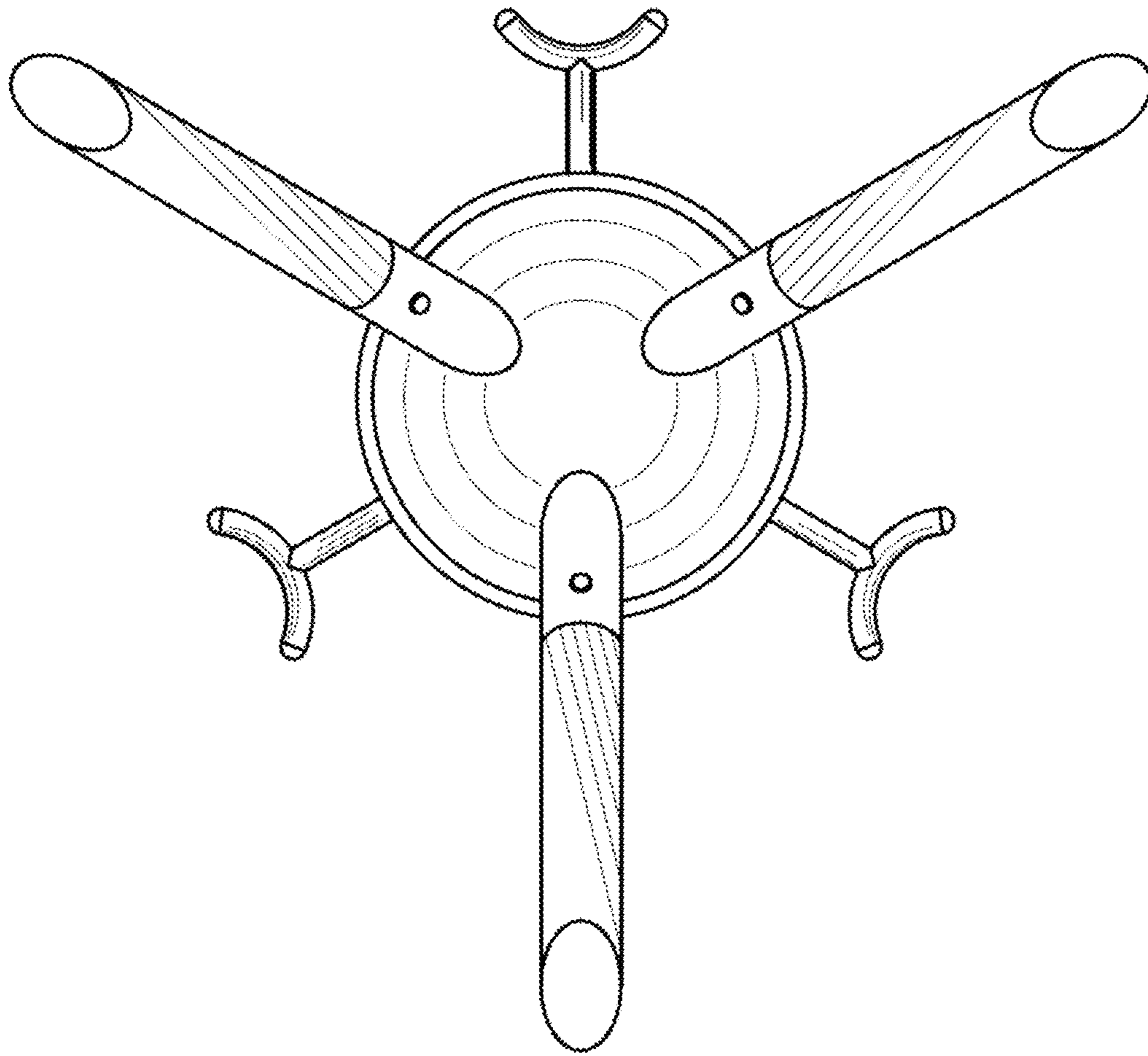


Figure 6

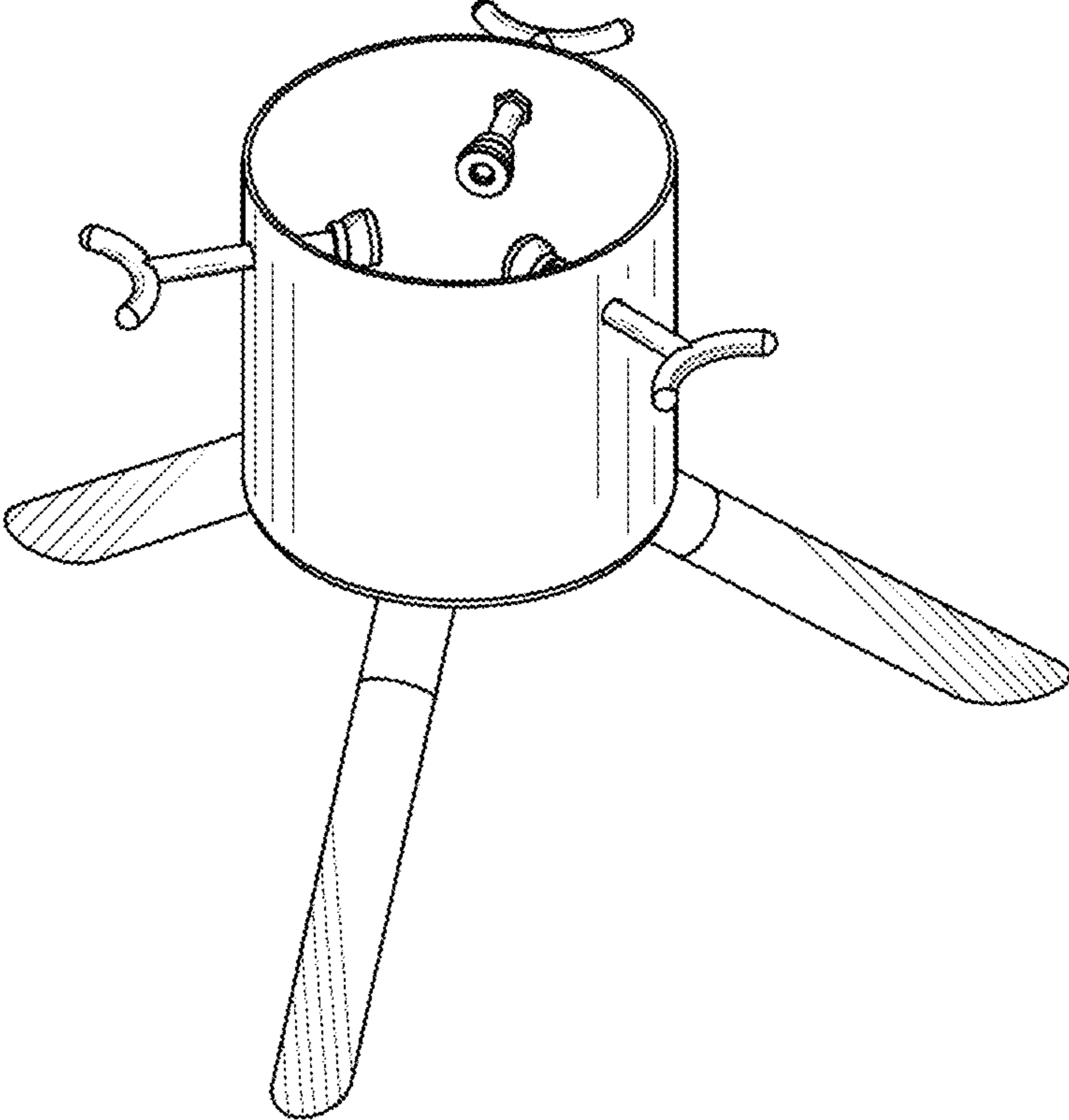


Figure 7