

US00D807223S

(12) **United States Design Patent**
Noguchi

(10) **Patent No.:** **US D807,223 S**
(45) **Date of Patent:** **** Jan. 9, 2018**

(54) **CHARM**
(71) Applicant: **TASAKI & CO., LTD.**, Kobe-shi,
Hyogo (JP)
(72) Inventor: **Yuji Noguchi**, Tokyo (JP)
(73) Assignee: **TASAKI & CO., LTD.**, Kobe-shi (JP)
(**) Term: **15 Years**
(21) Appl. No.: **29/553,550**
(22) Filed: **Feb. 2, 2016**
(30) **Foreign Application Priority Data**

Sep. 25, 2015 (JP) 2015-021075

(51) **LOC (11) Cl.** **11-01**
(52) **U.S. Cl.**
USPC **D11/79**; D11/26

(58) **Field of Classification Search**
USPC D11/1, 2, 40-45, 79-86, 75, 76, 77, 95,
D11/97, 98, 99, 121, 125, 91, 92, 200,
D11/201, 202, 208, 228, 26-39
CPC .. A44C 1/00; A44C 3/00; A44C 3/001; A44C
3/002; A44C 3/004; A44C 3/005; A44C
3/007; A44C 3/008; A44C 7/00; A44C
7/001; A44C 7/002; A44C 7/003; A44C
7/004; A44C 21/00; A44C 23/00; A44C
25/00; A44C 25/001; A44C 25/002; A44C
25/004; A44C 25/005; A44C 25/007;
A44C 25/008; A44C 17/02; A44C
17/0208; A44C 9/00; A44C 9/0007; A44C
9/0015; A44C 9/0023; A44C 9/003; A44C
9/0038; A44C 9/0046; A44C 9/0053;
A44C 9/0061; A44C 9/0069; A44C
9/0076; A44C 9/0084; A44C 9/0092;
A44C 9/02

See application file for complete search history.

(56) **References Cited**

U.S. PATENT DOCUMENTS

D92,060 S * 4/1934 Baer D11/6
D199,014 S * 8/1964 Berman D11/26

D228,758 S * 10/1973 Petrosky D11/26
D259,188 S * 5/1981 Barr D11/27
D383,996 S * 9/1997 Bulgari D11/26
D457,459 S * 5/2002 Keller D11/27
D512,933 S * 12/2005 Aghjayan D11/26
D564,666 S * 3/2008 Klearman D11/26
D691,507 S * 10/2013 Stanev D11/26

OTHER PUBLICATIONS

[Online] <https://i.pining.com/236x/59/fb/62/59fb62af816c9d0c4d67f35f89187868--pearl-rings-pearl-necklaces.jpg>. Retrieved Aug. 2, 2017.*

(Continued)

Primary Examiner — Melanie Pellegrini
(74) *Attorney, Agent, or Firm* — Metrolexis Law Group,
PLLC

(57) **CLAIM**

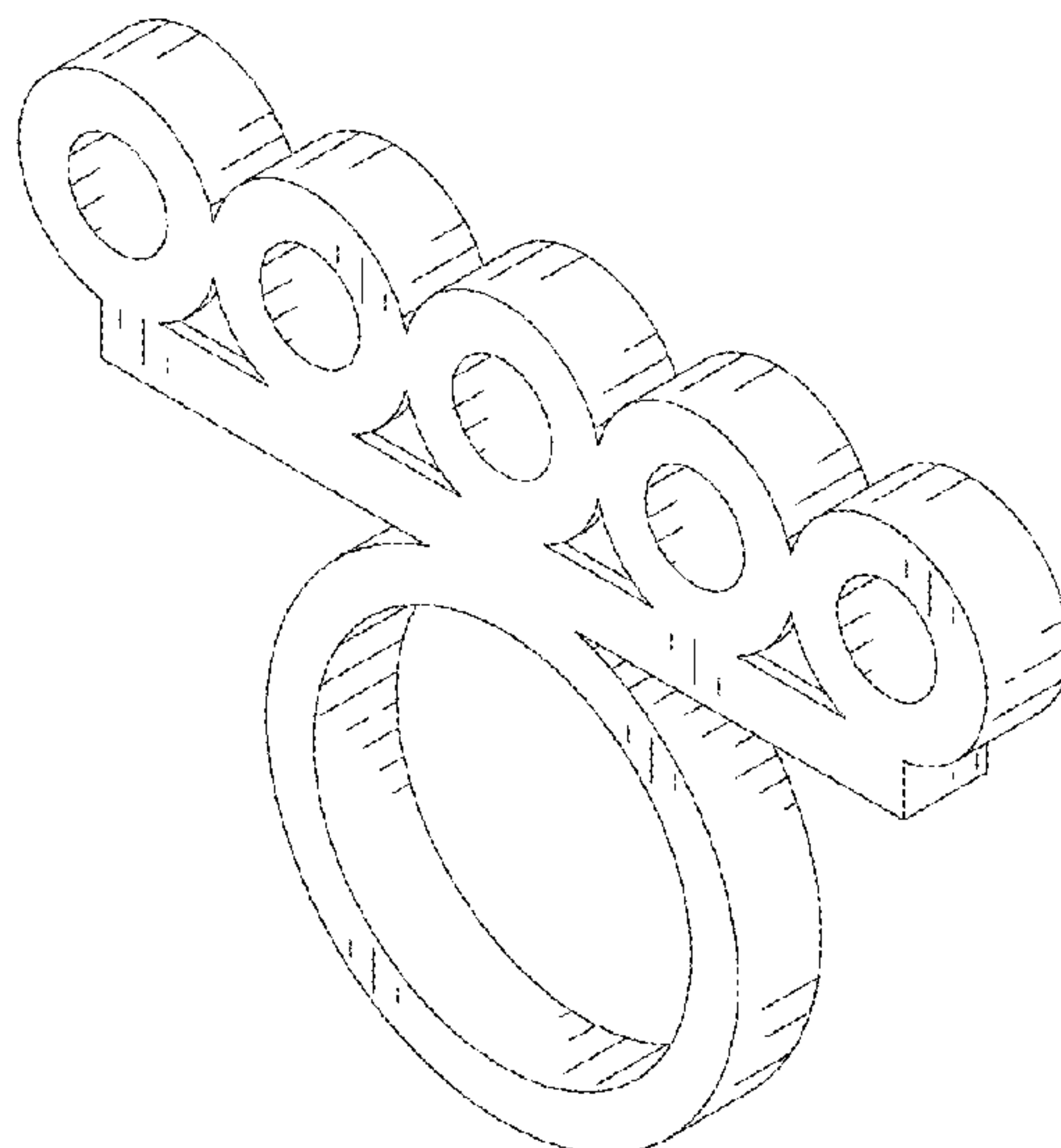
The ornamental design for a charm, as shown and described.

DESCRIPTION

FIG. 1 is a first perspective view of a charm;
FIG. 2 is a second perspective view thereof;
FIG. 3 is a front view thereof;
FIG. 4 is a back view thereof;
FIG. 5 is a top plan view thereof;
FIG. 6 is a bottom view thereof;
FIG. 7 is a right side view thereof;
FIG. 8 is a left side view thereof;
FIG. 9 is a cross-sectional view thereof taken along line IX-IX in FIG. 3; and,
FIG. 10 is a cross-sectional view thereof taken along line X-X in FIG. 3.

The broken lines in the drawing disclosure depict interior parts of the charm that form no part of the claimed design.

1 Claim, 5 Drawing Sheets



(56)

References Cited

OTHER PUBLICATIONS

[Online] http://gigaplus.makeshop.jp/TASAKIOnline/shopimages/2_032003000005.jpg. Retrieved Aug. 2, 2017.*

[Online] <https://2.bp.blogspot.com/-8zFMRFJ8P3w/Va585GP2KYI/AAAAAAAAAKg8/Vopw1GyNrTQ/s1600/1%2BTasaki%2BBalance%2BEclipse%2BRing.jpg>. Retrieved Aug. 2, 2017.*

* cited by examiner

Fig. 1

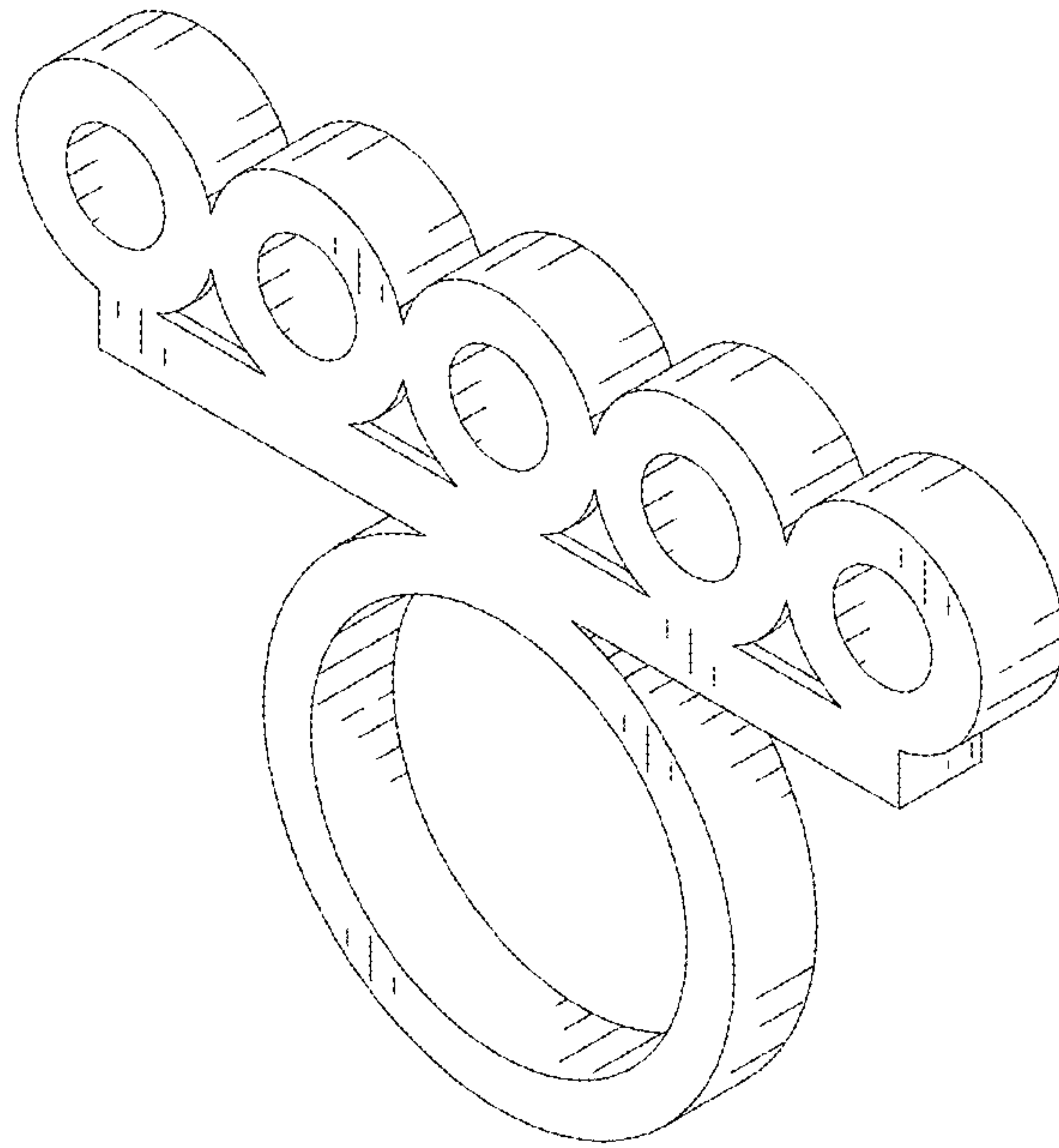


Fig. 2

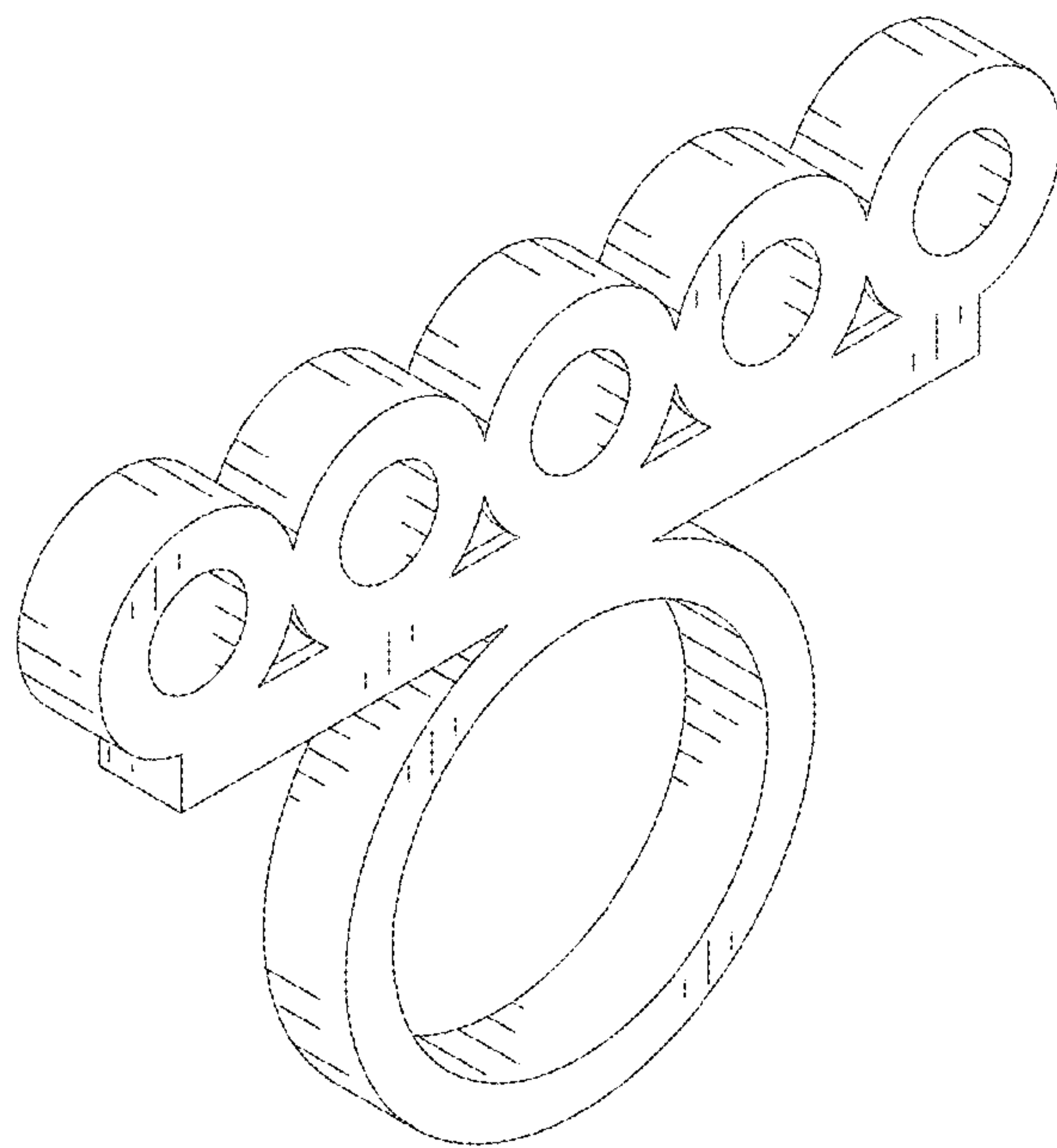


Fig. 3

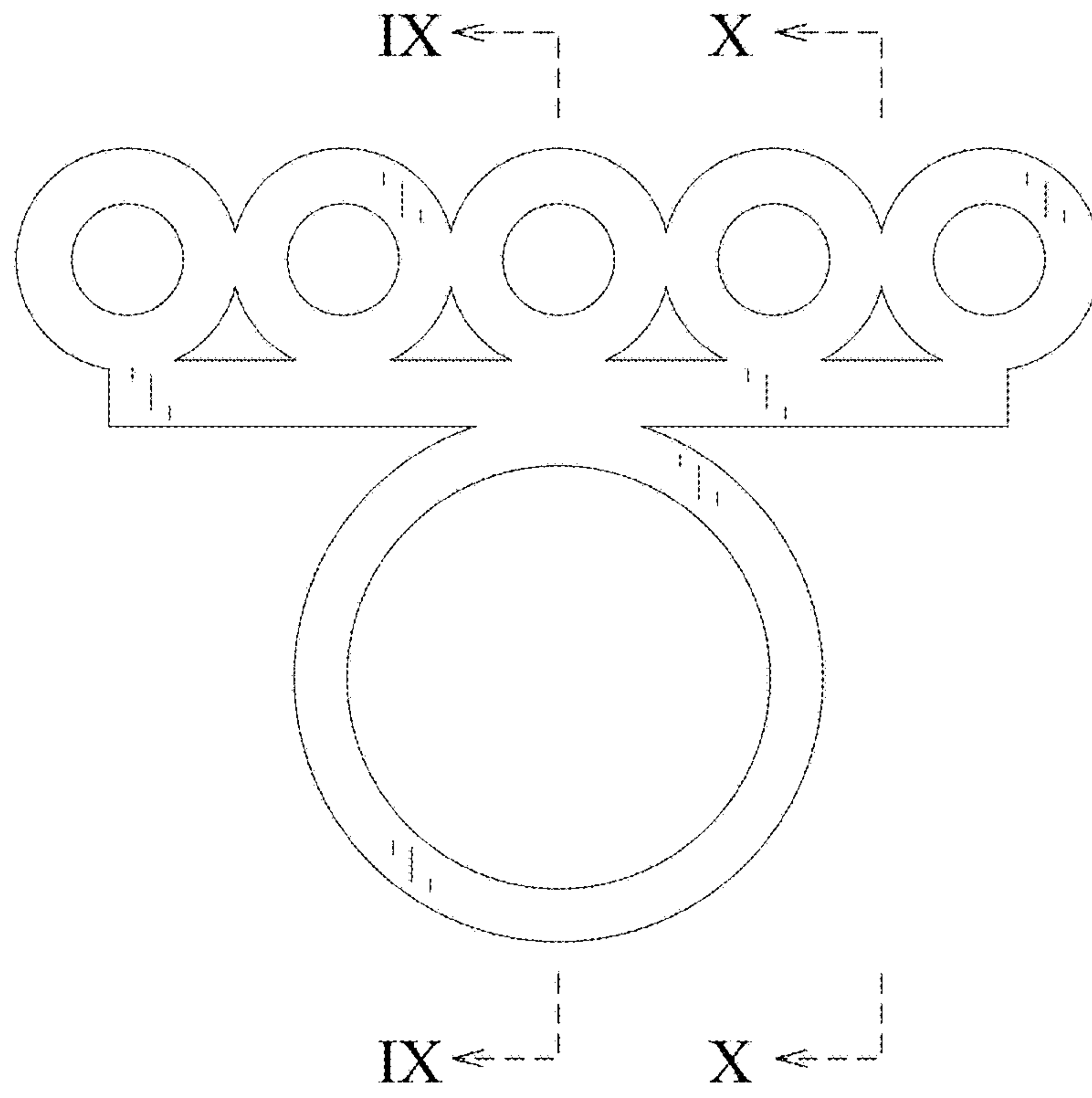


Fig. 4

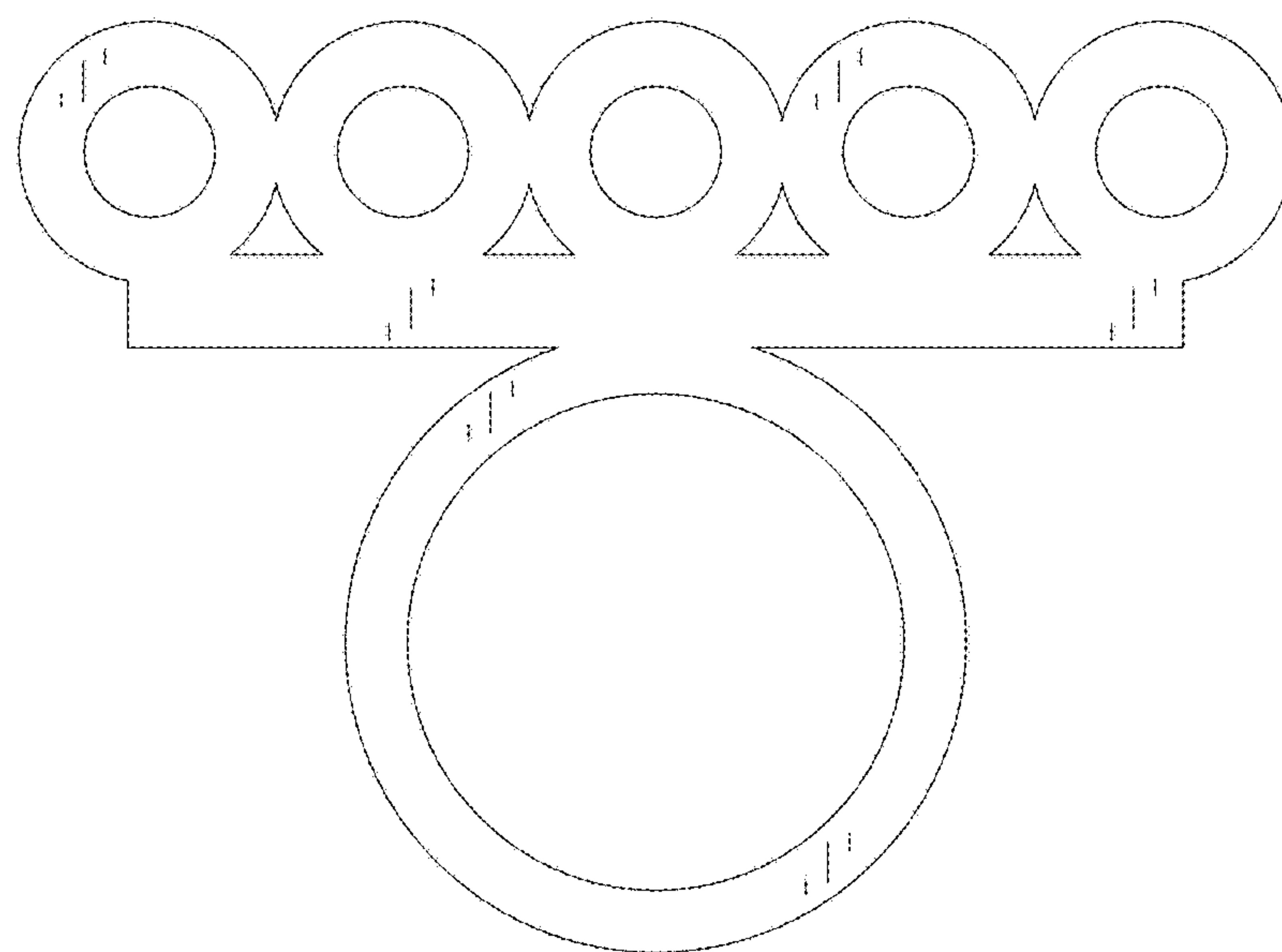


Fig. 5

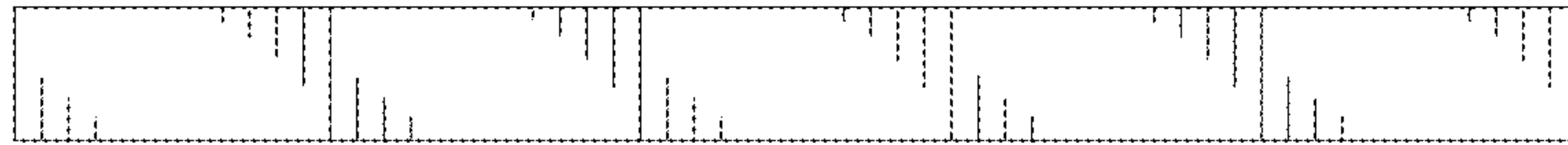


Fig. 6



Fig. 7

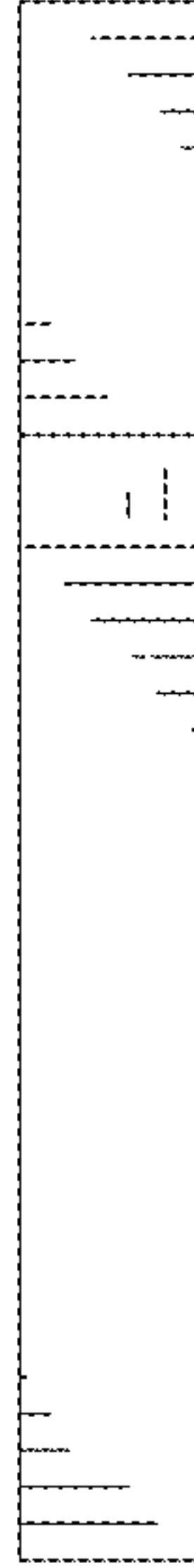


Fig. 8

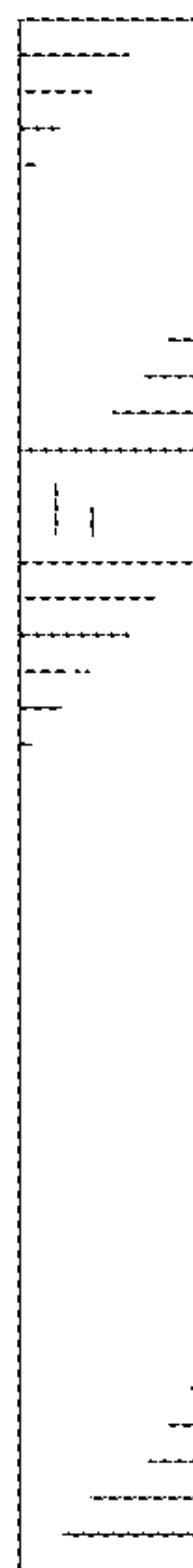


Fig. 9

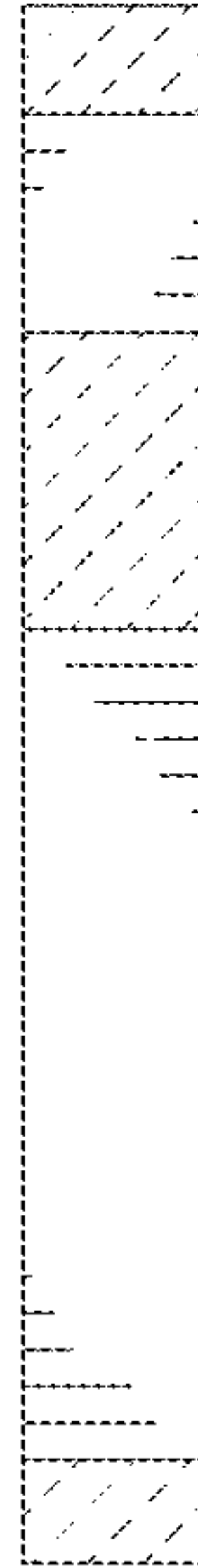


Fig. 10

